

R Richelieu
ERGO



**computer ergonomics
&
office accessories**

TABLE OF CONTENTS

Table Bases.....	3-8
Table Legs	9
Sit/Stand Workstations.....	11
Anti Fatigue Floor Mats.....	13
Keyboard Arms.....	14-15
Keyboard Trays.....	16-17
Keyboard Combos.....	18-21
Drawers and Slides.....	22-23
Monitor Supports.....	25
Laptops and iPad Holders.....	39
CPU Holders.....	40-41
Lighting.....	42-43
Power Management.....	44-50
Tray & Document Support.....	51
Accessories.....	52-53
Whiteboards and Tackboards.....	54-55

"UNITE" ADJUSTABLE BASE

PRECISE

Our handset provides 4 programmable positions along with an LED readout of desk height. No more searching for your favourite positions.

SPEEDY

At 1.5 inches per second, our lifting speed swiftly moves you from one position to another.

SMART

The sophisticated programming in our control box creates the quality of movement you'd expect from a high-end product.

- Software ensures soft start/stop
- Hall sensor measures speed and alignment
- Temperature sensors protect circuitry and motors to assure long life

STRONG

We only use powder-coated steel construction and powerful DC motors with high lifting capacities.

"UNITE" 2 Leg Adjustable Base

- Full height range: seated keyboard to full standing (23.5"-49")
- 330 lb lifting capacity
- 1.5 inches/second
- LED programmable handset
- 2 Powerful DC motors.
- Adjustable leveling legs

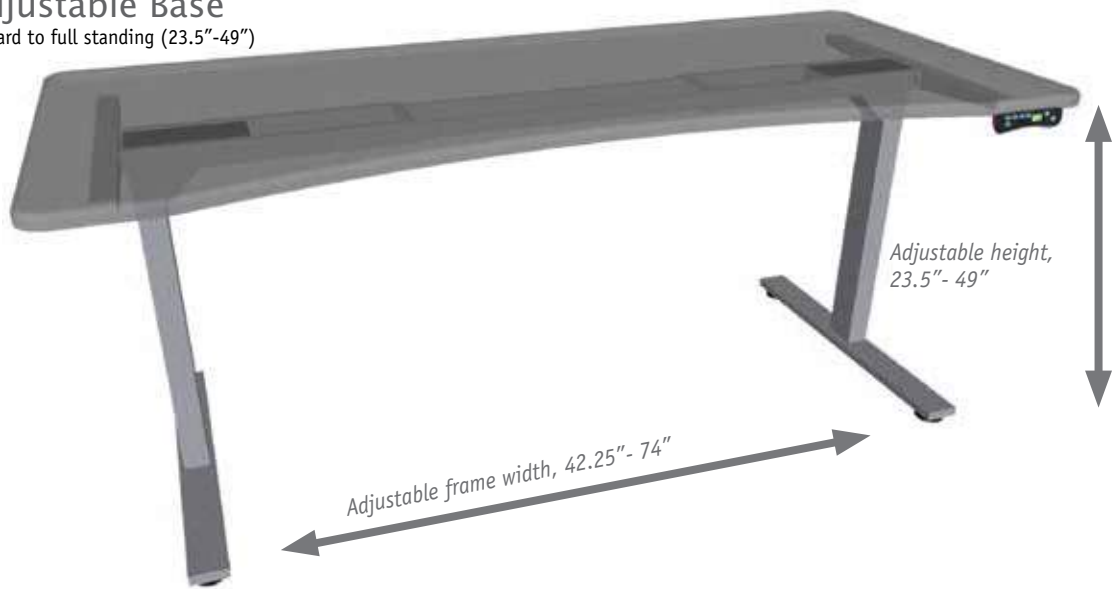
500782100 Gray

50078290 Black

Programmable Switch



Smart Circuitry



"UNITE" 3 Leg Adjustable Base

- Full height range: seated keyboard to full standing (23.5"-49")
- 465 lb lifting capacity
- 1.5 inches/second
- LED programmable handset
- 3 Powerful dc motors.
- Adjustable leveling legs

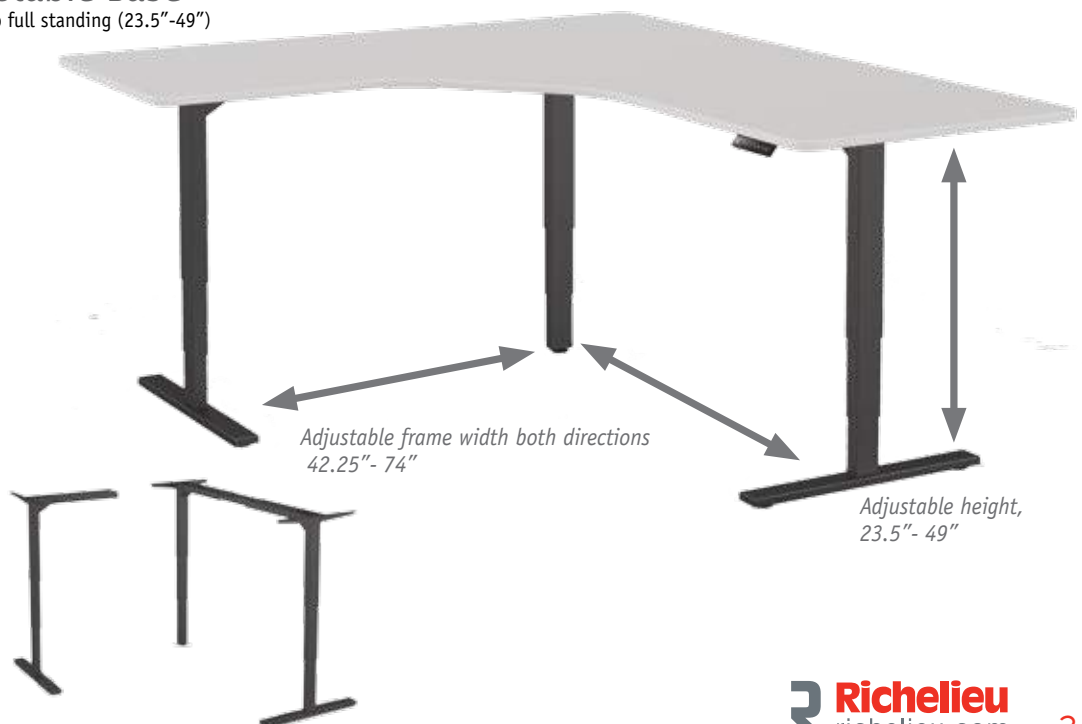
500783100 Gray

50078390 Black

Programmable Switch



Smart Circuitry



"ACES" SERIES ADJUSTABLE BASE

SIMPLE

Includes basic UP/DOWN control switch.

STRONG

We only use powder-coated steel construction and powerful DC motors with high lifting capacities.

SMART

The sophisticated programming in our control box creates the quality of movement you'd expect from a high-end product.

- Software ensures soft start/stop
- Hall sensor measures speed and alignment
- Temperature sensors protect circuitry and motors to assure long life

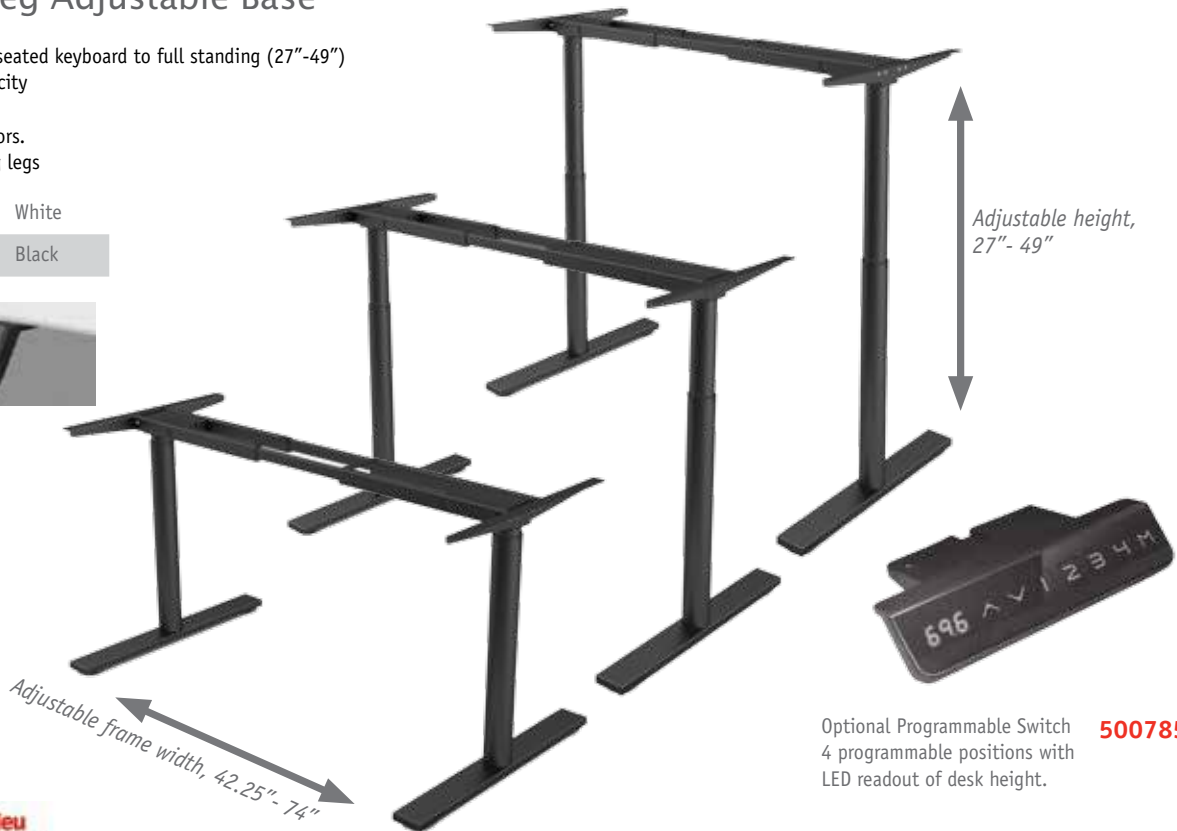


"ACES" 2 Leg Adjustable Base

- Round Table legs
- Full height range: seated keyboard to full standing (27"-49")
- 330 lb lifting capacity
- .8 inches/second
- 2 Powerful DC motors.
- Adjustable leveling legs

50078430 White

50078490 Black



Adjustable frame width, 42.25" - 74"



Optional Programmable Switch **50078590**
4 programmable positions with LED readout of desk height.

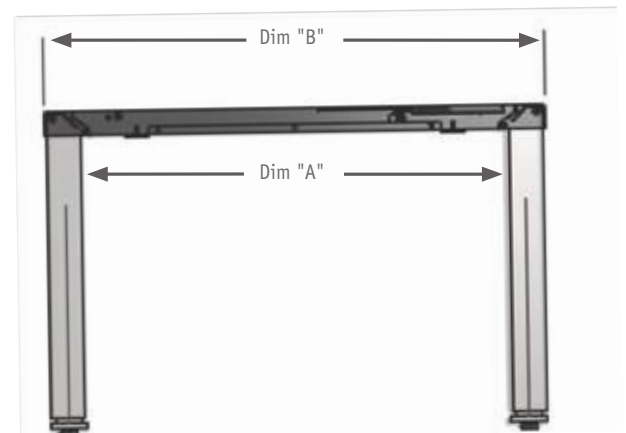
"BALANCE" SERIES ADJUSTABLE BASE

"BALANCE" provides distinct advantages over electric. No power consumption saves energy! Faster adjustment, just seconds top to bottom and back again! No cords to plug in! No complicated electronic controls!

- Unique synchronization enables adjustment even with uneven loads
- Precision tube and rollers for the smoothest adjustment
- Easy control of speed with release mechanism
- Eliminates the possibility of accidental release by the design of the release handle



	Capacity In Pounds	Dim "A"	Dim "B"
5007881XXX	42 to 82	37.16"	40.40"
5007882XXX	53 to 93	52.91"	56.14"
Replace XXX with colour code White 30, Black 90, Silver 100			



"MANNY" SERIES ADJUSTABLE BASE

Stainless steel spindle with ridged steel table legs provide a very robust and durable piece of furniture. Perfectly balanced engineering provide quick crank lift and decent. High weight capacity allows this crank table to be useful in a variety of industries and situations. Optional innovative three leg designs allows for more work space and flexible use.



2 Leg Complete Base
500CL100

Adjustable height,
27" - 45"

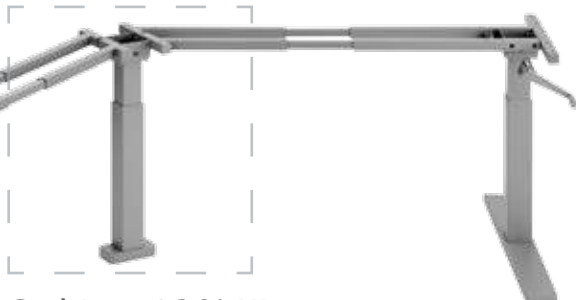
Adjustable frame width, 43" - 61"

3rd leg 90° Kit
500CL90100

To achieve this configuration requires ordering the
500CL100 2 Leg Base and the 500CL90100 3rd Leg 90° Kit



Optional Motor Kit
500CLM100



3rd Leg 120° Kit
500CL120100

To achieve this configuration requires ordering
the 500CL100 2 Leg Base and the 500CL120100 3rd Leg 120° Kit

"ARISE" SERIES ELECTRIC ADJUSTABLE BASES

Electric Actuator Adjustable Height Table Bases

- Our most economical sit/stand table.
- A pedestal style electric height adjustable base that is perfect for corner applications or training tables.
- With the locking casters on the rear of the base moving the table around when required is easy, or lock them down when used in a permanent application.
- With 520mm (20.5") of height adjustment from 660mm (26") to 1180mm (46.5")
- Can be used with top sizes from 95cm (37.5") – 117cm (49") wide X 80cm (31.5")-100cm (39.37") deep

Black **50075190**

Silver **500751100**

**Top not included*



Includes pedestal leg, base with casters, table mount braces, power transformer, power cord, and rocker switch



"ARISE II"

- 1.5 inches/second
- Soft touch up/down buttons
- Powerful dc motor capable of smoothly lifting 165 lb
- Adjustable leveling legs

500745490



Soft touch up/down buttons



External Power Supply



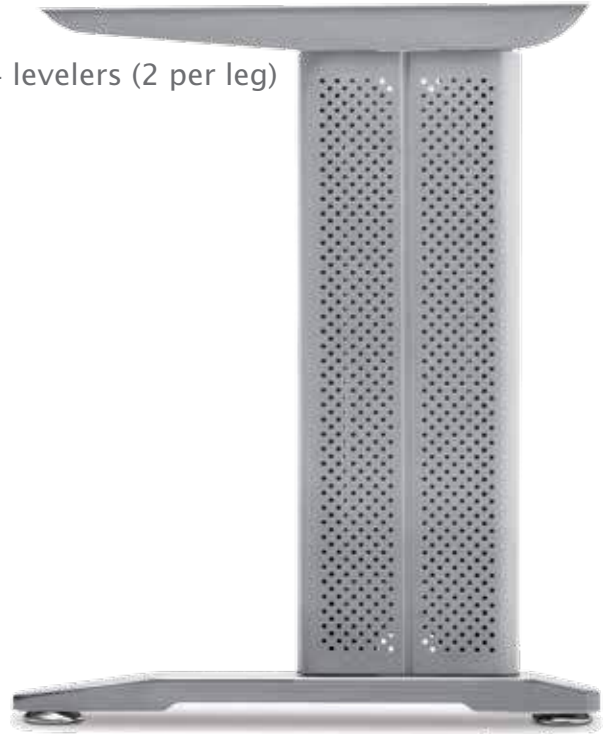
*Adjustable height,
26.4"-44"*

DESK C-LEG

Height-adjustable and excellent stability supplied by 4 levelers (2 per leg)

- Wires and cabling can be hidden inside the metal frame
- Designed for fast and easy assembly
- Height: 725 to 735 mm
- Load capacity per leg: Max. 120 kg
- Material: Steel
- Finish: Grey
- Width: 62 mm
- Depth: 600 mm
- Packaging format: Box of 2

646072100106



FOLDING DESK FRAME WITH CASTERS

Mobile, spontaneous, and ready for use at the drop of a hat. Quick and easy set up and a space-saver when stowed away. The Folding Desk Frame creates an easily moveable table that rapidly creates elegant and functional working areas. The steel structure and the wheels are the perfect blend of design and practicality. This frame has been designed to adapt to all space and furnishing requirements.

- Recommended thickness for the surface panel: 25 mm.
- Table dimensions suggested: 1200 mm X [450-600] mm.
- Finish: Silver
- Material: Steel
- Width: 440 mm, Height: 725 mm
- Recommended Surfaces: Carpet, Tile/ Ceramic/ Linoleum, Hardwood/Laminate
- Load Capacity: Max. 80 kg

301725106



Surface not included.

"Alumina" Glass Table Leg

- 60 mm dia x 720 mm + 30 mm adjustment
- Ridged satin Aluminium finish

61271010



- Stainless steel cap
- Glue to table with UV glue (D030143) and screw on leg

81200170



"Click" – Folding Table Leg

- 50 mm dia x 710 mm + 30 mm adjustment

65671010 Aluminium

65671090 Matte Black



Tapered Table Leg

Chrome

- 710 mm high
- 10 mm adjustment

407710170



TABLE LEGS



290	Walnut
28.0	Cherry
21.0	Maple
25.0	Oak
900	Mat Black
10	Aluminium
170	St. steel
140	Chrome
30	White
90	Black



No.	Finish	Dia.	Height
615710-	30, 90, 140, 170, 175	60 mm	710 - 740 mm
615870-	30, 90, 140, 175	60 mm	870 - 900 mm
620710-	10, 30, 90, 175, 900	80 mm	710 - 740 mm

Optional Table Leg Cover

No.	Finish	Dia.	Height
A 6600010-	170, 900	60 mm	140 mm
B 660004-	90	70 mm	140 mm



Furniture Table Leg

No.	Finish	Dia.	Height
550100-	10, 140, 170, 900	50 mm	100 - 130 mm
550150-	10, 140, 170	50 mm	150 - 180 mm
555100-	900, 170	49 mm	100 - 150 mm
555150-	900, 170	49 mm	100 - 150 mm



No.	Finish	Dia.	Height
A 660710-	106, 140, 170, 900	60 mm	710 - 810 mm
B 660001-	90, Caster	50 mm	72 mm
C 660002-	90 Caster	70 mm	120 mm
D 660650-	106, 140, 170, 900	60 mm	650 - 750 mm

Zoom - legs 100 mm high adjustment

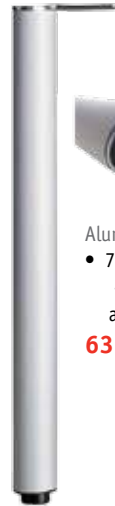
"QUADRA" Square Leg



- 60 mm square x 700 mm + 10 mm adjustment
 - Ridged Aluminium finish
- 64671010**

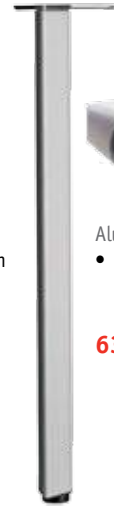
Flush mounting

Oval



- Aluminium
- 710 mm high + 10 mm adjustment
- 63771010**

Teardrop



- Aluminium
- 710 mm high + 10 mm adjustment
- 63271010**

Triangular



- Aluminium
- 710 mm high + 10 mm adjustment
- 63371010**

DESIGN Table Legs

Metal/Wood Leg Silver/Beech

- Metal and wood
 - Leg ready to finish
 - H = 710 mm
 - + 10 mm adjustment
- 40410622**



Elliptical Table Leg

- Elliptic leg: 60 mm x 30 mm
 - H = 710 mm
 - Finish: Silver
- 192710106**



Arched Design Table Leg

- Round arched leg: 50 mm diam.
 - H = 705 mm
 - Finish: Silver
 - + 20 mm adjustment
- 650705106**



Design Table Leg

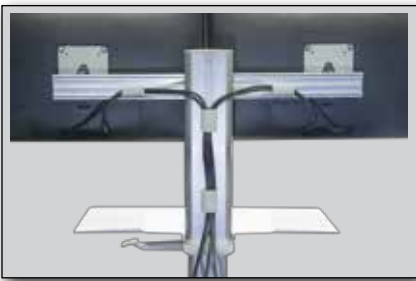
- Round leg: 50 mm diam.
 - H = 700 mm
 - Finish: Silver
 - + 20 mm adjustment
- 612705106**



"SIT2STAND" WORKSTATION

Convert an existing desk or table into a high-quality and affordable sit to stand workstation and effortlessly go from sitting to standing in seconds. Transform your existing workspace to a healthful environment and immediately benefit from motion and mobility in the work place.

- 18" (45.7 cm) of vertical height adjustment to accommodate the majority of individuals heights.
- Small footprint that can slide effortlessly out of the way to free up desk space.
- 27.5" (69.9 cm) keyboard tray allows space for full size keyboard and mouse.
- Slide in / slide out work surface for additional workspace and storage.
- Convenient rear cable management clips in column and crossbar keep cables organized and out of view.
- Single action quick release adjustment from sitting to standing.
- Locking actuator maintains the unit firmly in position at any height.
- Telescoping upright column promotes a low profile unit in the seated position.
- Durable anodized and powder coated aluminium and steel surfaces (over 95% of components are recyclable).



Built in Cable Management

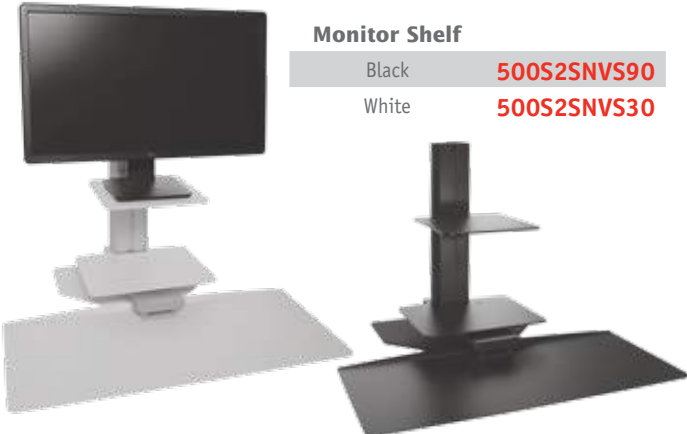
Model	Finish	Monitor Capacity	Monitor Width	Vertical Height Adj.	Mounting
500S2S001R90	Black/Black	Single, 3.5lbs to 11lbs (1.6kg to 5kg)	-	18"	VESA 75mm & 100mm
500S2S001R30	Silver/White		-		
500S2S002R90	Black/Black	Dual, 6.5lbs to 21lbs (3kg to 9.5kg) total	24" Monitor		
500S2S002R30	Silver/White		23.5" actual		

Monitor Shelf

Black	500S2SNVS90
White	500S2SNVS30

Laptop Holder

Black	500S2SLT90
Silver	500S2SLT100



Please note the Laptop Holder and Monitor Shelf are sold separately.

"ALTISSIMO" SIT/STAND WORKSTATIONS

Allowing users to adjust their work surface to an ergonomic seated or standing position in a smooth and effortless motion, the "Altissimo"[™] provides ultimate comfort and flexibility for the user with industry leading stability and ergonomic support.

- Moves easily and effortlessly as users transition from seated to standing positions.
- Mounts at the rear of the work surface and extends forward so the keyboard tray may rest below the desk surface.
- Grommet mount included.
- Adjustable tilt mechanism for comfort settings.
- Monitor tower rotates independently from the work surface through 180° left and right range.
- Tested to 20,000 cycles (with the exception of the monitor tower which is supported up to 10,000 cycles) and comes with a 5 year warranty.
- Available in Black, Silver or White.



Base Model	Colour	Tray Size	Adjustment Range	Dual Bracket
500S2S9190	Black/Black Accents	9" D	x 22"	500S2S9290
500S2S91100	Silver/Gray Accents	x 28" W		500S2S92100
500S2S9130	White/Gray Accents			500S2S9230

For double monitor configurations order the Base Model and the Dual Bracket

	Monitor Weight (Max)	Monitor Width (Max)
Single Monitor	25 lb	-
Dual Monitor	8 lb ea	11.25"

"TOPPER III" SIT-STAND DESKTOP WORKSTATION

- Same vertical line during movement
- Gas spring offers smooth support
- Two knobs on each side for easy adjustment and 15 height positions
- Table top size: 680 x 580mm
- Keyboard tray size: 325 x 680mm
- Weight capacity: 15kg.

500S2S90



DUET ARM

- Stable, durable design
- Supports large widths and can be customized for work stations
- Slim arms (less than 3/4" each) for better knee clearance
- Height adjustable within 19" range (6 1/2" below work surface)
- Knob for independent tilt positioning
- Sit or stand applications
- Exceeds ANSI/BIFMA standards
- Accommodates secondary work surfaces
- Fixed table height application
- Heavy use typing



Duet Short Arm
9.5" Above

Duet Long Arm
12.5" Above

20" width	50070902090	50070802090
23" width	50070902390	50070802390
27" width	50070902790	50070802790
31" width	50070903190	50070803190
39" width	50070903990	50070803990

ANTI-FATIGUE FLOOR MATS

"Advant-Pro"

"Advant-Pro" Anti-Fatigue Floor Mats are ergonomically designed to prevent leg, foot, and lower back fatigue and pain experienced by workers who stand on hard flooring. Manufactured with a 3/4" thick commercial grade polyurethane foam, this premium commercial anti-fatigue mat provides deep cushioned support, and soothing all-day comfort. Ideal for stand-up desks, retail stores, service counters, pharmacies, banks, airports, hotels, offices, light industrial areas, hospitals and labs.



Size

500AFMP203290

20" x 32"

500AFMP243690

24" x 36"

500AFMP204890

20" x 48"

"Advant"

"Advant" Anti-Fatigue Mats are ergonomically designed to reduce discomfort and fatigue caused by standing. Constructed with a 3/4" cushion of eco-friendly Bio-Foam topped with a puncture and abrasion-resistant polyurethane material, this durable anti-fatigue mat protects feet, legs and the back from physical aches and strain while increasing employee morale and productivity. Ideal for cash registers, commercial environments, stand-up desks, light-industry areas, airports and banks.



Size

500AFM203290

20" x 32"

500AFM204890

20" x 48"

500AFM194090

19" x 40"

"COMPADRE" KEYBOARD ARM

Engineered to fit height-adjustable tables and benching systems, where space is limited and conventional track-mounted keyboard arms will not fit.

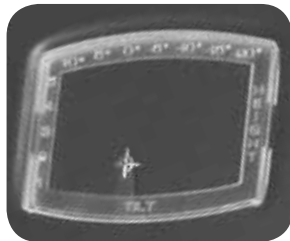
- Low profile with greater knee clearance under desk surface
- Adjustable: between 1.25" and 6.98" under desk surface
- Lift-N-Lock braking mechanism
- ADA-compliant tilt-adjustment with easy access to the tilt knob
- Exceeds HFES and BIFMA 5th percentile seated keyboarding heights
- Direct mount: no track required
- Finish: Black (90)

500848290



"ULTRA MOMENTUM" SERIES

The only arm in its class that fully complies to ANSI/HFES, 100-2007 standards



- Height and tilt indicator
- Lift-N-Lock™ spring-assisted height adjustment
- Storable on a 19" Teflon glide
- Height adjustment from +2³/₈" to -6¹/₂"
- -20° tilt adjustment from neutral position with removal of lock-out clip
- Optional +10° tilt
- 360° swivel

50074382190

17" low profile base frame

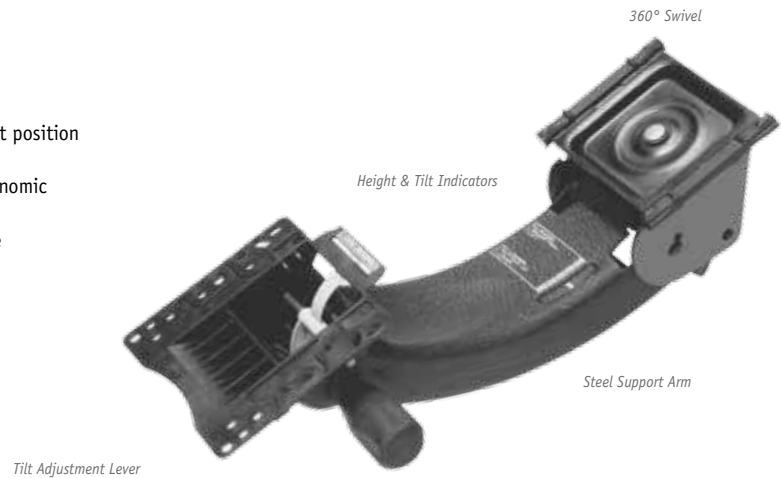
50074381790



SIT/STAND SERIES

- Height range: 8¹/₄" above track and 5⁷/₈" below track,
- Reduced neck length allows the user to be closer to the desk
- Allows for full storage with most keyboard trays on a 21³/₄" track
- Superior lock-up, increased stability and improved accuracy of tilt position
- Dial tilt gauge shows the angle of the tray from -15° to +10°
- Sit-Stand arms incorporate height gauge to mark user's best ergonomic keyboarding position
- With 360° swivel user can move keyboard freely from side to side

500745890



BASIC SERIES

- Spring assisted height adjustment with tension knob
- Storable on 17" Teflon glide
- 25° tilt adjustment
- 360° swivel

500573390



"BUDGET" KEYBOARD ARM, 17" TRACK

- 6.4" of height adjustment
- 15° negative tilt and 10° positive
- 11.9" of travel on a 17" base frame.

50074311790



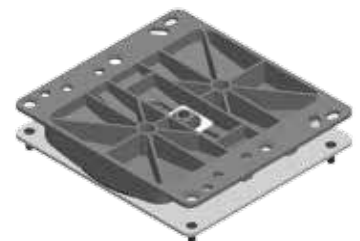
All arms come with track for storage



Dual Swivel Plate

- Allows for tray to be squared to the desk when mounted off center
- Can be added to any arm & tray

500740090



GREEN SERIES



"DYNAMITE"

- 26⁵/₈" x 10⁷/₈" metal/ABS
- Easy slide out mouse tray with horizontal adjustment
- 100% Recyclable Materials
- Built in Wire management and document support
- Padded palm rest

50420890

**Shown with mouse tray e"Concerto"ed.*

PHENOLIC SERIES

504200 Series

- 20" x 10¹/₂" phenolic keyboard tray
- 1/4" thick
- Mouse pad with corral to prevent mouse run off
- Foam and Gel palm rest options



	Foam Palm Rest	Gel Palm Rest
No mouse tray	504202100	504202G100
Swivel mouse tray, non-tilting left or right mount	504204100	504204G100
Clamp on height adjustable swivel and tilt mouse tray	504205100	504205G100

504300 Series

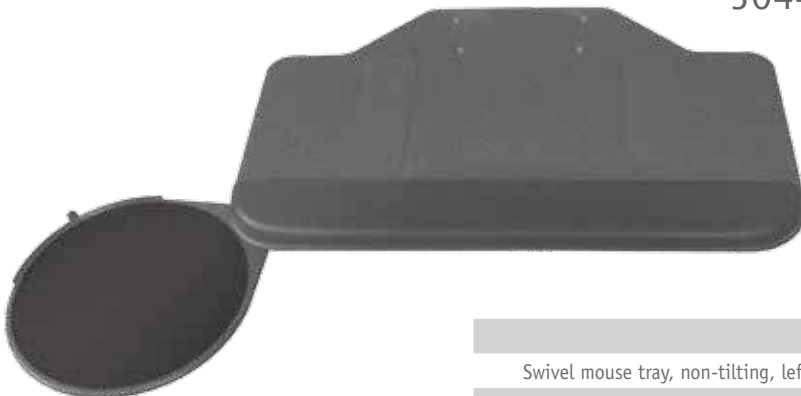
- Phenolic tray for Microsoft Natural Keyboard™
- 22" x 11¹/₂" Dimension
- 1/4" thick
- Mouse pad with corral to prevent mouse run off



Swivel mouse tray, non-tilting left or right mount	504304100
Clamp on height adjustable swivel and tilt mouse tray	504305100

504400 CORNER Series

- 20" x 13¹/₂" phenolic keyboard tray
- 1/4" thick
- Palm rest
- Mouse pad with corral to prevent mouse run off



	Foam Palm Rest	Gel Palm Rest
No mouse tray	504402100	504402G100
Swivel mouse tray, non-tilting, left or right mount	504404100	504404G100
Clamp on height adjustable swivel and tilt mouse tray	504405100	504405G100

PHENOLIC Mouse Tray

- For use with Phenolic Series Keyboards



Swivel mouse tray, non-tilting, left or right mount
504104100



Clamp on height adjustable swivel and tilt mouse tray
504105100

27" PHENOLIC Series

- 27" x 10" phenolic keyboard tray
- 1/4" thick
- Accommodates both keyboard & mouse
- Full length palm rest
- Mouse pad with corral to prevent run off
- Can be used with all arms

Foam Palm Rest

5004227100

Gel Palm Rest

50042276100



CLASSIC Series

- 27" x 10¹/₂" vinyl wrapped keyboard tray
- Accommodates both keyboard and mouse
- Full length palm rest
- Perimeter lip prevents mouse run off
- Can be used with all arms or keyboard slides

50080190



BASIC Series

- 3 widths available
- 11" Deep Black Textured MDF keyboard tray
- Can be used with all arms or keyboard slides

Tray Width

23" **1467590**

27" **1462790**

30" **141090**



"MOMENTUM" COMBOS

These Convenience Combos contain our most popular Trays with our #1 selling Arm, packed in one box with a single part number makes for easy ordering and shipping

The "Ultra MOMENTUM" articulating keyboard arm incorporates dial knob technology for easy tilt adjustment from -20 degree* to +10 degrees, allowing for optimum comfort to a variety of users. The "Ultra MOMENTUM" arm also features Lift-N-Lock™ technology for effortless height adjustment from +2 3/8" to -6 1/2", from top of track, ensuring the easiest, most comfortable and convenient arm for use in the office environment. In addition it now features height and tilt indicators to compliment the ease of use. The "Ultra MOMENTUM" is available in a 5.5" neck with a Teflon Glide Track. (*Height measured from top of track, positive tilt locked out at factory, user may override with removal of lock-out clip)



5007438C1

- 20" x 9 1/2" Phenolic Tray
- 8" dia. Swivel mouse tray, non-tilting mounts left or right

5007438C2

- 20" x 9 1/2" Phenolic Tray
- 8" dia. Clamp on height adjustable swivel and tilt mouse tray

5007438C3

- 27 $\frac{1}{4}$ " x 10" Phenolic Tray
- Accommodates both keyboard & mouse



5007438C4

- 26 $\frac{5}{8}$ " x 10 $\frac{7}{8}$ " Steel/ABS
- Easy slide out mouse tray with horizontal adjustment"
- 100% Recyclable Materials

**Shown with mouse tray e"Concerto"ed.*



5007438C5

- 20" x 9 $\frac{1}{2}$ " HDPE Tray
- 8" dia. Clamp on height adjustable swivel and tilt mouse tray
- 100% Recyclable Materials



5007438C6

- 27 $\frac{1}{4}$ " x 10" HDPE Tray
- Accommodates both keyboard & mouse
- 100% Recyclable Materials



"COMPADRE" COMBOS

Your height adjustable table just found a new best friend! The "COMPADRE" trackless keyboard arm, engineered to fit workspaces such as height adjustable tables and benching systems, where space is limited and conventional track mounted keyboard arms will not fit. This revolutionary new product provides the user with Lift-N-Lock™ capability, dial tilt and separate height and tilt gauges and functionality that can only be found on high end keyboard arms. Combined with either the 5004227100 or the 504202100 trays these combos are a sure winner.



5008482C1
"COMPADRE" Arm & 504204100 Keyboard Tray



5008482C3
"COMPADRE" Arm & 5004227100 Keyboard Tray

"BUDGET" COMBOS

Our new "Budget" Combo's are designed to maintain proper ergonomics when "Budget"s get tight. Featuring our new "Budget" arm 50074311790. This arm features the same Lift-N-Lock™ technology as our best selling "MOMENTUM" arm. The "Budget" arm features 6.4" of height adjustment ,15° negative tilt and 10° positive tilt through a friction adjustment knob, with 11.9" of travel on a 17" base frame.

We have paired the "Budget" arm with our best selling trays to provide you with the best quality product in a "Budget" price. When "Budget"s get tight and you think there is no room for keyboard arms think about the "Budget" Combo's from Richelieu.



Arm only
50074311790

- 20 x 9½" phenolic keyboard tray
- Full-length removable palm rest
- 8" dia. Mouse pad with corral to keep mouse on tray

5007431BC1



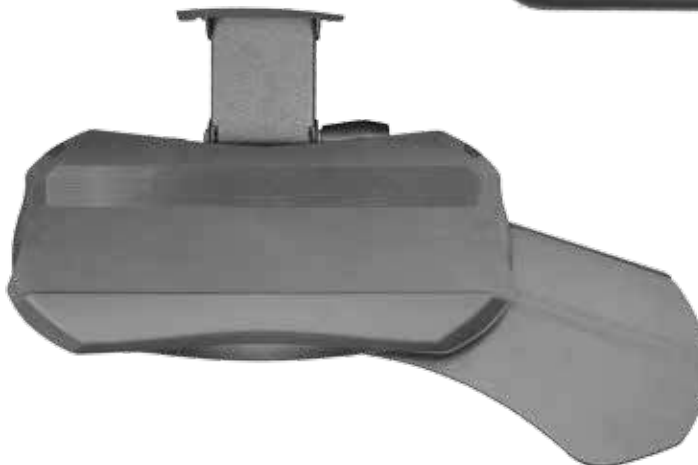
- 27" x 10" phenolic keyboard tray
- Accommodates both keyboard and mouse
- Full-length removable palm rest
- Mouse pad with corral to keep mouse on tray

5007431BC3



- 26⅝" x 10⅞" metal/ABS
- Easy slide out mouse tray with horizontal adjustment
- 100% recyclable materials
- Built in Wire management and document support
- Padded removable palm rest

5007431BC4



PULL OUT SERIES

ACCURIDE™ KEYBOARD DRAWER

- This new keyboard system is designed to maximize your work space
- Adjustable keyboard platform offers three typing positions for maximum user comfort
- Innovative design
- Fully concealed, full extension slides
- Gel palm rest provides additional comfort
- Rear storage compartments
- Built-in cable management

530090



22" KEYBOARD TRAY

- Complete with slides
- Slide out mouse tray, left or right
- Pencil storage
- All brackets included

50015390 Black

500153100 Grey



KEYBOARD SLIDES

- Bent down tabs for easy installation.
- Available in black
- 16" l with 14" extension

We have a wide variety Keyboard Slides available at www.richelieu.com

35459016

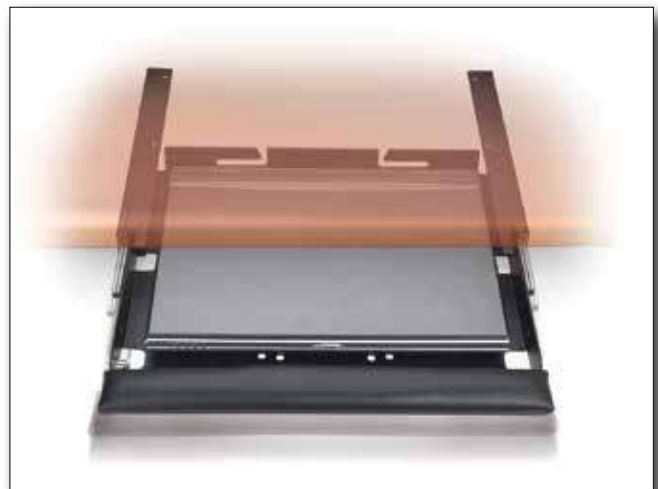


LOCKING LAPTOP DRAWER

Locking Laptop Drawer provides both storage and security. The quality 16 gauge metal construction smoothly rolls on 16" ball bearing slides. The added leatherette palm support provides ergonomic comfort when using your laptop. Locking mechanism with two keys ensures that your computer is safe when not in use. Two cord management holes allow easy access for external peripherals.

- Ventilation holes allow for laptop cooling.
- Overall Dimensions: 16" w x 16" d x 2" h
- Weight Capacity: 11 lb (5kg)
- 3" drawer slide depth (work surface bottom to underside of drawer)
- 16" ball bearing drawer slides for smooth rolling action

50050290



"PELICAN" DRAWER

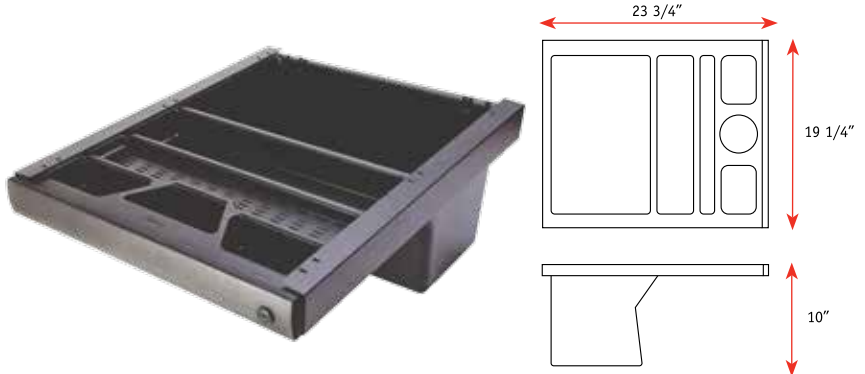
- Large divided tray
- Lockable
- Large capacity storage bin
- Bin recessed for knee clearance
- Black finish
- One set of files rails included

330090

also available:

332090

Additional File rails (1 pr)



"PELICAN II"

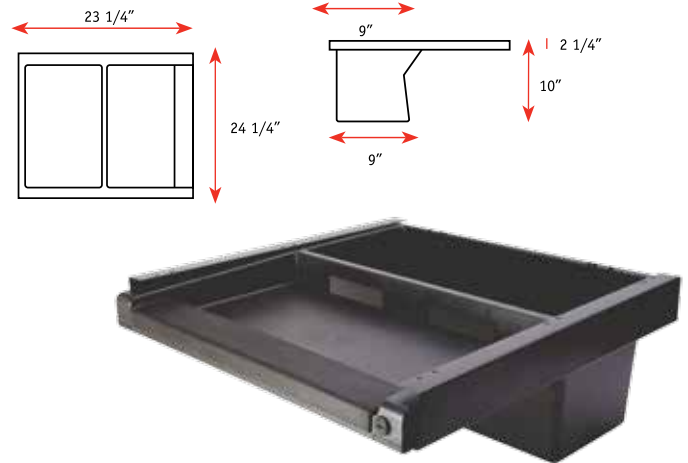
- Fully-concealed drawer slides.
- Retractable mouse tray.
- Soft, molded palm rest provides comfortable and correct support for keyboard.
- Large tray section for full-size keyboard or laptops.
- Full-length suspensions rails to protect against tampering with mounting screws.
- Mounts under any 23 3/8" (593 mm) deep surface. Fits all furniture systems.
- Key-core interchangeable locks compatible with most office furniture systems.
- Cable management.
- One set of file rails included
- Mouse pad included: 8 1/2" x 8 1/2" (216 x 216 mm)

333390

also available:

332090

Additional File rails (1 pr)



"PELICAN III"

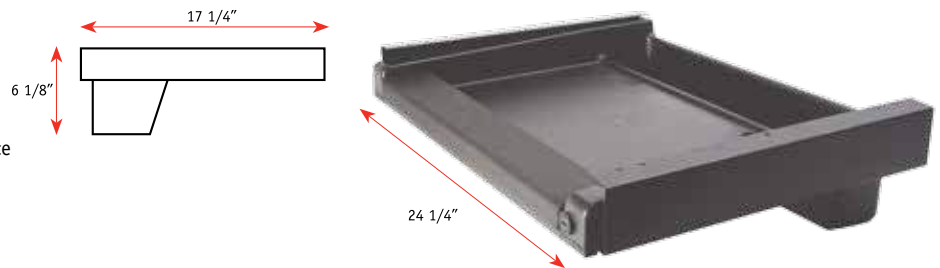
- Keyboard tray
- Comfortable palm rest
- Core interchangeable lock
- Retractable mouse tray
- One set of files rails included
- High capacity storage bin, recessed for knee clearance
- Bin for CDs, etc.

330190

also available:

332090

Additional File rails (1 pr)



PENCIL DRAWER BALL BEARING SLIDE

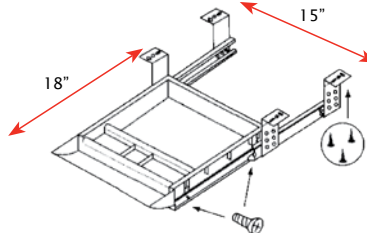
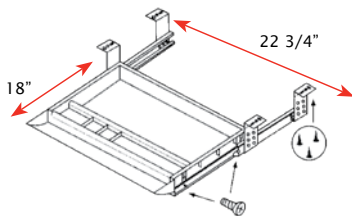
- With stationary box and ball bearing metal slides for mounting under desk
- Black finish

897190

Large drawer

89300090

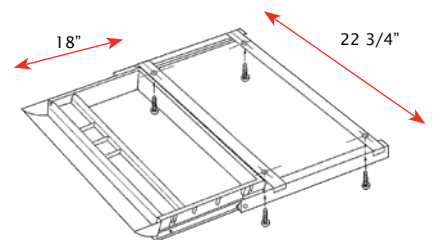
Small drawer



ROLLER SLIDE

- With roller slides and frame for mounting under desk
- Black finish

897090



PENCIL TRAYS

506127590

- Black
- 6" x 12 3/4"



5081590

- Black
- 12 3/4" x 5 5/8"



STAINLESS STEEL SHELF

- Stainless steel shelf for mounting under mirror.
- Gives a contemporary designer look to mirrors of the same size.
- Pre-perforated for easy installation.

18" **185518170**

24" **185524170**



FILE RAIL SYSTEM

- Corner bracket
- Mounts to inside of drawer and allows file bar to snap in

500482190



- Slider clip
- Instantly doubles your filing capacity

500482290



File Bar

71280810 Aluminium 8'

71281290 Black 12'

7128140 Chrome 8'



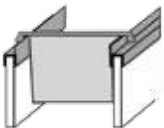
Plastic File Holder

124230 White 1/2"

124290 Black 1/2"

141230 White 5/8"

141290 Black 5/8"



Office Furniture Design Casters

- Office caster without a central portion, a unique design in its class.
- Available in self-locking version, in manual brake version or without brake.



307157140



307151140



307147100



307141100



307145100

MANUAL MONITOR LIFT

Manually operated device designed to hold TV monitors and computer screens in freestanding desks, workstations, and cabinets. When the monitor is not in use, it can easily be pushed down into the desk to maximize the desktop surface.

- Convenient, secure storage
- Multiple hole mounting configuration on fixed mounting plate provides ample attachment points for any mounting application
- Simple to operate "Push to Open, Push to Lock" feature provides positive locking in stored position
- Five 1lb. weights are provided to counterbalance from 5 to 14 lb

500981090

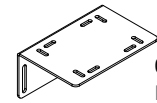
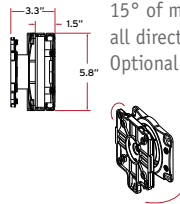
OPTIONAL:

5009801A90 counterweight kit for monitors over 14 lbs

5009801B90 lid attachment kit



15° of motion in all directions with: Optional 500980590



Optional 5009801B90
Lid Attachment Kit

"TROLLEY" MONITOR LIFT



- Electric motor driven lift
- Auto Retractable Access doors
- Push button activation control
- Vertical tilt monitor adjustment
- Wire management
- Intelligent Motion Technology™
- Work surface foot print dimensions: 8½" D x 28½" W
- Made from 100% recyclable materials

50091190 LCD trolley up to 20" screens

50091290 LCD trolley up to 24" screens

"FLEXA" FIXED MONITOR SYSTEM

"Flexa" is our most versatile Monitor System. The base configuration serves as a basis for a wide range of solutions.

- The base configuration provides a strong stable mount for monitors from 15" to 27".
- Height adjustable on pole
- Die cast aluminium structures
- Integrated cable management
- Easy assembly and flexibility
- Grommet and desk clamp include

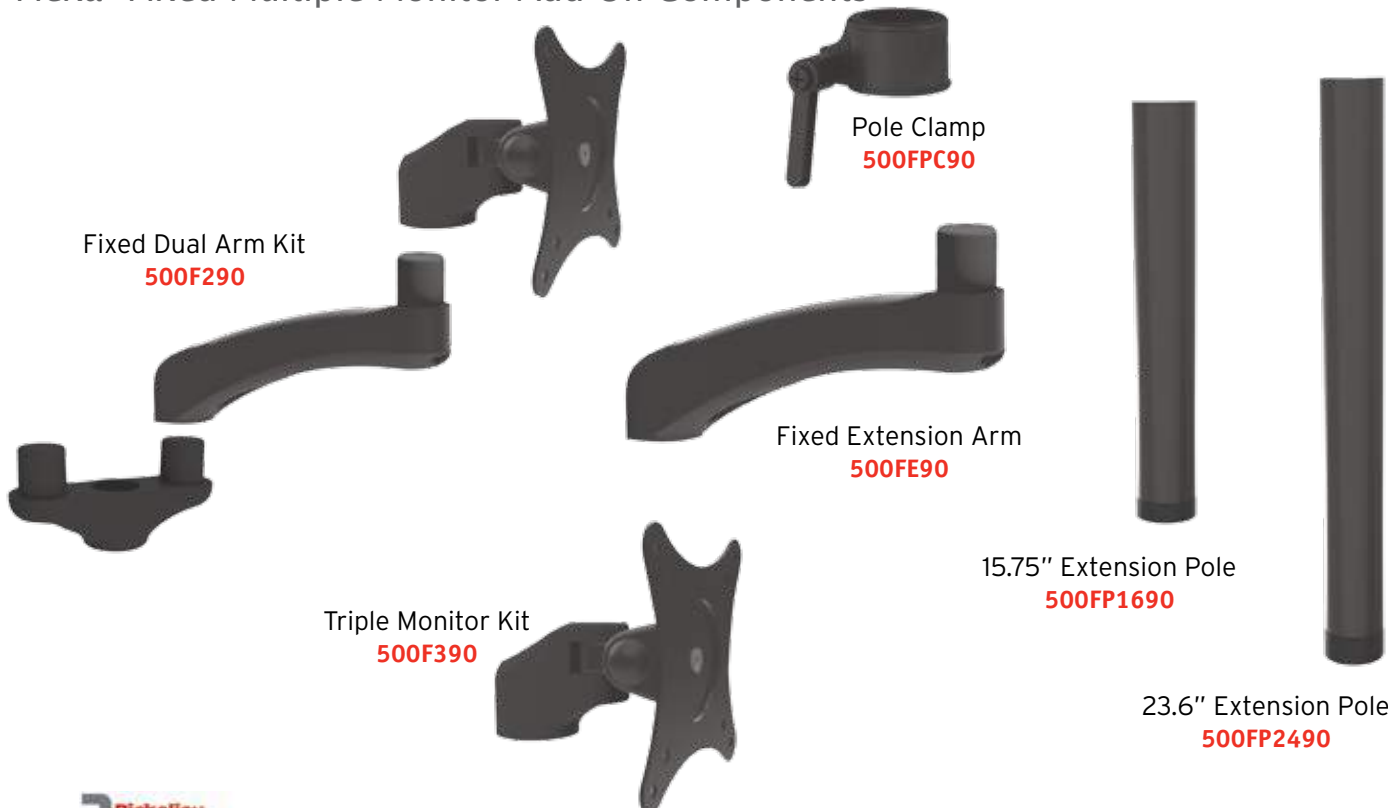
500F190



Clamp Base
500FCM90
(Included)

Grommet Clamp
500FGM90
(Included)

"Flexa" Fixed Multiple Monitor Add-On Components



Fixed Dual Arm Kit
500F290

Pole Clamp
500FPC90

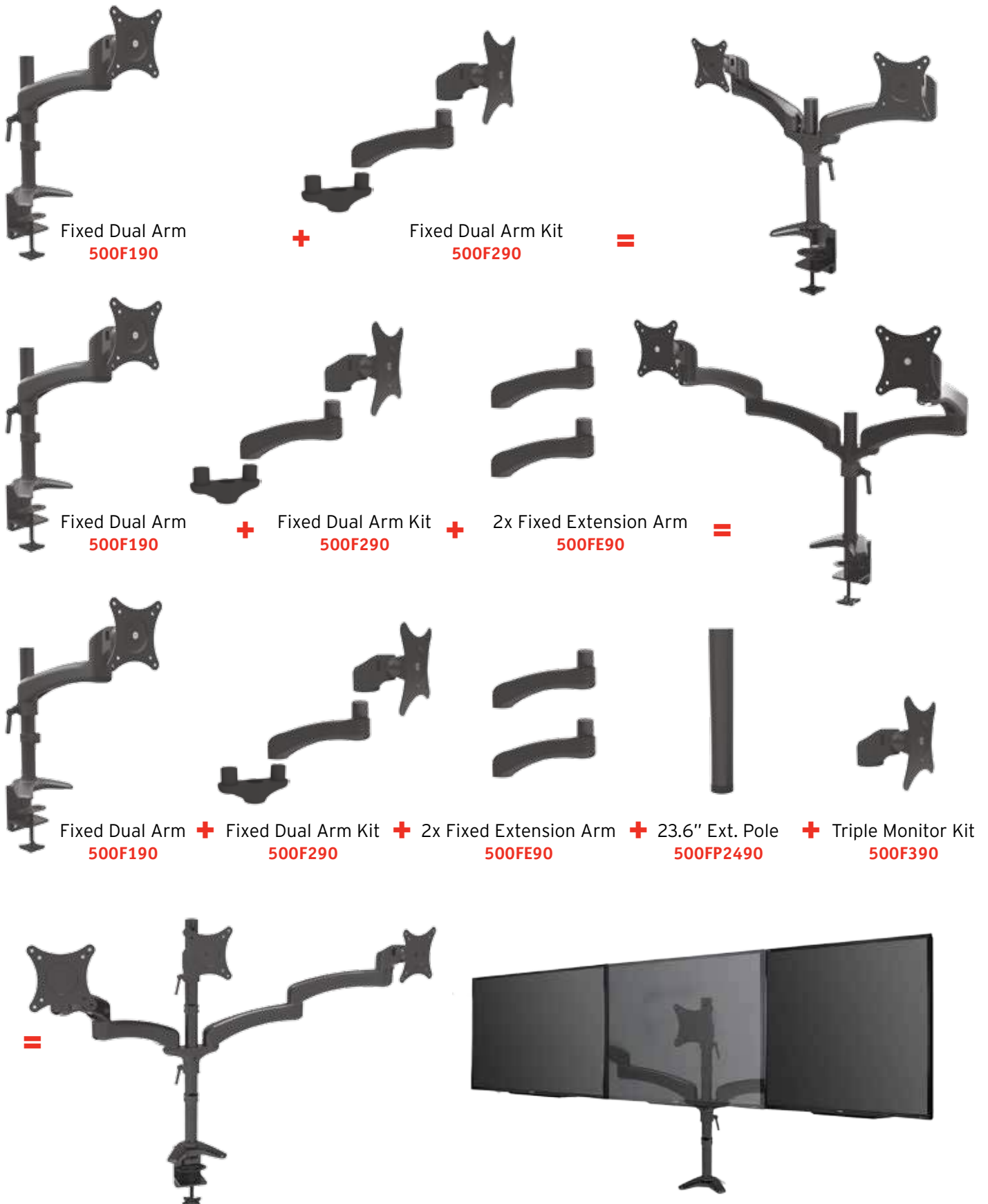
Fixed Extension Arm
500FE90

15.75" Extension Pole
500FP1690

23.6" Extension Pole
500FP2490

Triple Monitor Kit
500F390

"Flexa" Fixed Multiple Monitor Sample Configurations



"FLEXA" FLOATING MONITOR SYSTEM

- Gas spring tension adjustment for counter-balance height adjustment for monitors 1-8 KG
- Elastic painting process for a durable and beautiful finish
- Gas spring tested to 50,000 repetitions
- Easy assembly and flexibility
- Hidden cable management
- Both desk clamp and grommet mounting included

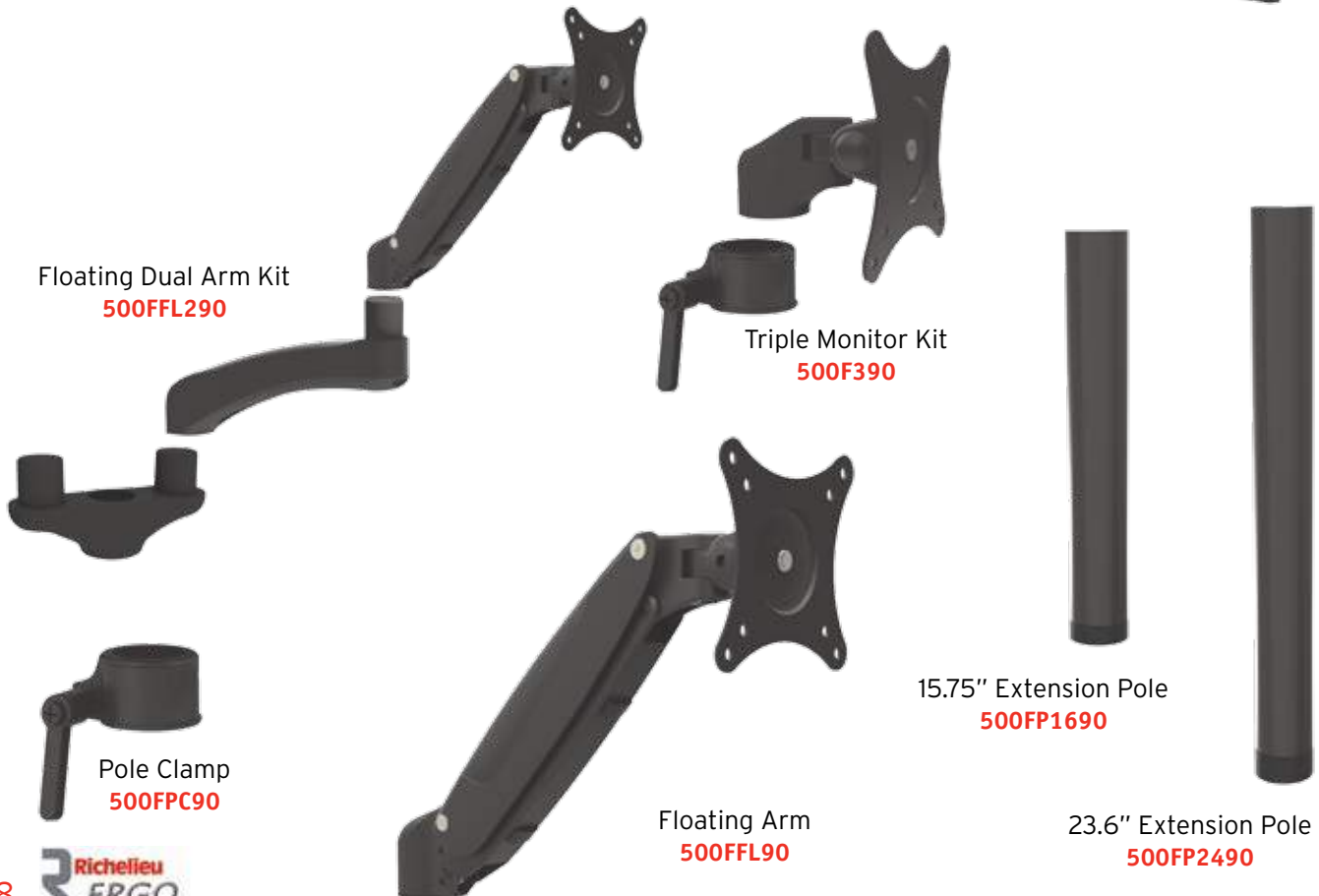
500FFL190



Clamp Base
500FCM90
(Included)

Grommet Clamp
500FGM90
(Included)

"Flexa" Floating Multiple Monitor Add-On Components



Floating Dual Arm Kit
500FFL290

Triple Monitor Kit
500F390

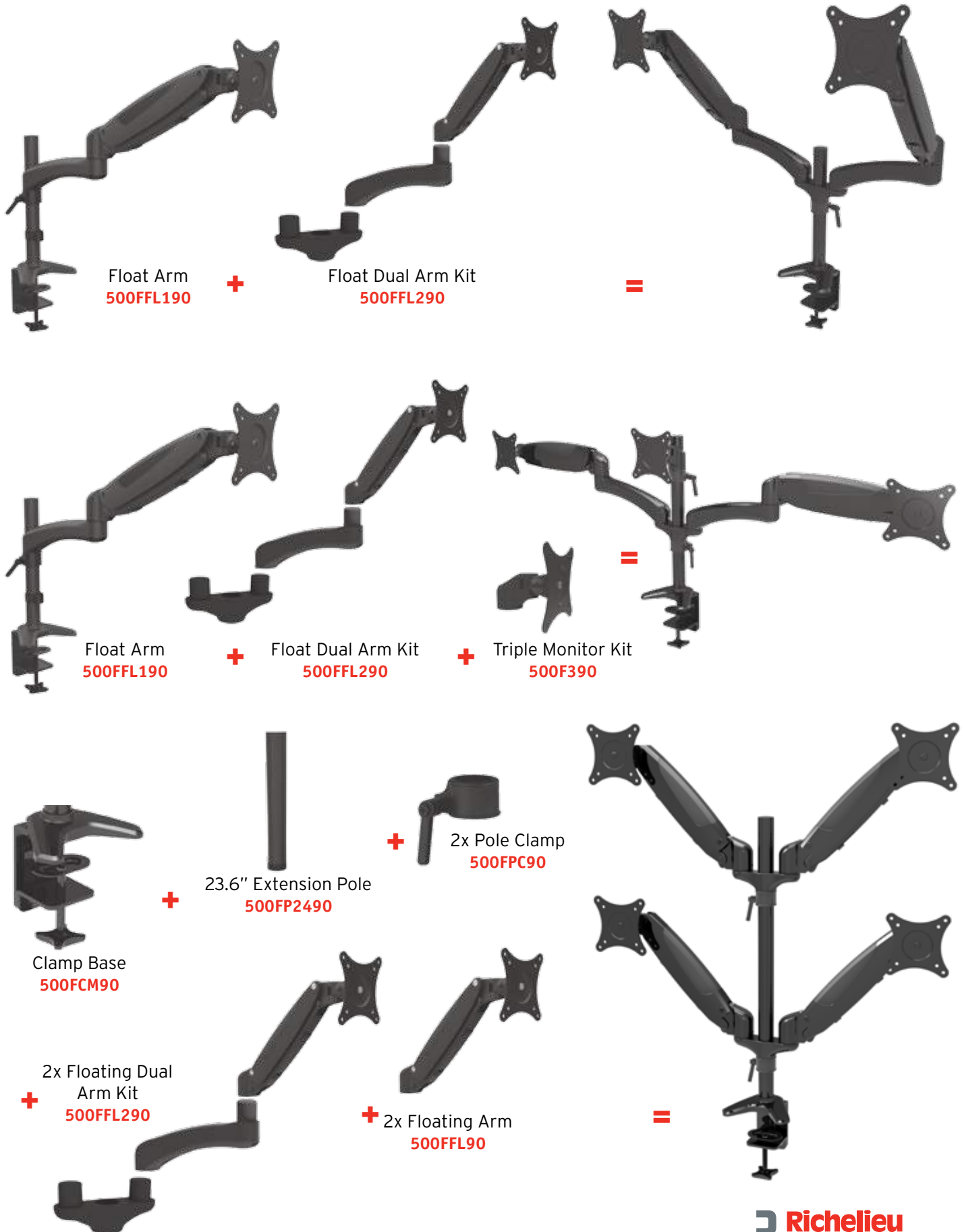
Pole Clamp
500FPC90

15.75" Extension Pole
500FP1690

Floating Arm
500FFL90

23.6" Extension Pole
500FP2490

"Flexa" Float Multiple Monitor Sample Configurations



"FLOTA" SERIES MONITOR ARMS

Single Monitor Gas Spring Arm LCD Flat Panel Desk Mount – Height Adjustable

Gas Spring Monitor Arm allows for effortless height, depth and angle adjustments. Easily adjusts to monitors between 4-8 kg/9-17 lb. Includes hardware for clamp and grommet desktop mounting. The monitor arm provides over a 530 mm (19.5") reach and swivels 360 degrees around the base. The monitor mounts provide generous tilt angles and can be positioned in landscape and portrait viewing positions. Monitor mounting brackets include both 75 mm and 100 mm hole patterns to comply with VESA standards. Wire management clips included.

Silver

500LCD02100



Dual Monitor Double Extension Arm LCD Flat Panel Desk Mount Height Adjustable

Includes hardware for clamp and grommet desktop mounting. The monitor arms provides a 493 mm reach and have a large vertical adjustment on a 440 mm pole. The monitor mounts provide generous tilt angles and can be positioned in landscape and portrait viewing positions. Monitor mounting brackets include both 75 mm and 100 mm hole patterns to comply with VESA standards.

- Number of Monitors: 2
- Monitor Rotation: 310 degrees
- Type: Triple Pivot
- Capacity: 0 – 8 kg (0 – 17.5 lb) per monitor
- Mounting: Clamp or Grommet

Silver

500LCD23100



Dual Monitor Gas Spring Arm LCD Flat Panel Desk Mount Height Adjustable

Gas Spring Monitor Arm allows for effortless height, depth and angle adjustments. Easily adjusts to monitors between 4 – 8 kg. Includes hardware for clamp and grommet desktop mounting. The monitor arms provides over a 530 mm reach and individual adjust on a 440 mm vertical pole. The monitor mounts provide generous tilt angles and can be positioned in landscape and portrait viewing positions. Monitor mounting brackets include both 75 mm and 100 mm hole patterns to comply with VESA standards.

- Number of Monitors: 2
- Monitor Rotation: 310 degrees
- Type: Triple Pivot
- Capacity: 4 – 8 kg (8.8 – 17.5 lb) per monitor
- Mounting: Clamp or Grommet

Silver

500LCD21100



"FLOTA" SERIES MONITOR ARM

Dual Monitor Gas Spring Arm LCD Flat Panel Desk Mount - Height Adjustable

Gas Spring Monitor Arm allows for effortless height, depth and angle adjustments. Easily adjusts to monitors between 4 – 8 kg. Includes hardware for clamp and grommet desktop mounting. The monitor arms provides over a 530 mm reach and have a large vertical adjustment on a 440 mm pole. The monitor mounts provide generous tilt angles and can be positioned in landscape and portrait viewing positions. Monitor mounting brackets include both 75 mm and 100 mm hole patterns to comply with VESA standards.

- Number of Monitors: 2
- Monitor Rotation: 310 degrees
- Type: Triple Pivot
- Capacity: 4 – 8 kg (8.8 – 17.5 lb) per monitor
- Mounting: Clamp or Grommet

Silver

500LCD22100



"CONCERTO" MONITOR ARMS

"Concerto" LCD Monitor Arm

- Class-leading 26" reach and 13" of usable height adjustment.
- Pole-less design for optimal space and storage.
- Counterbalanced spring technology allows for a 2 to 14lb. load
- 360° around the base, increasing the options for display position
- Tool-less clamp installation makes assembly quick and easy.
- Ideal for use with iPad Holder **5007803XXX**

Black

Silver

White

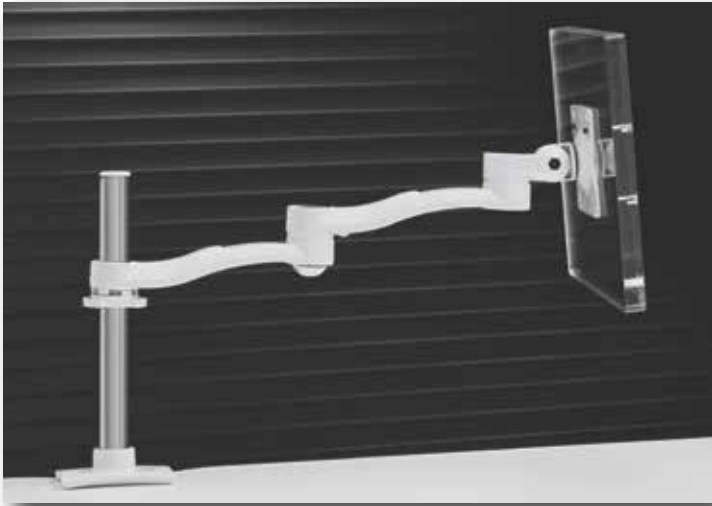
500781990 **5007819100** **500781930**



"CONCERTO" MONITOR ARMS

"Concerto" Single Arm LCD Flat Panel Desk Mounts

- 11" sliding travel on the 12³/₈" post (amount of travel reduced based on the monitor being mounted)
- Includes grommet and clamp mount, clamping range of 0" - 3 1/2" grommet maximum surface thickness 2³/₄"
- 360° swivel monitor mount
- Handles monitors up to 20 lb (9 kg)
- Standard VESA Plate has 75mm x 75mm and 100mm x 100mm hole patterns as well as keyhole slots for easy monitor connection



Triple Pivot

19⁵/₈" extension with three pivot points

Black	White	Polished Chrome
500781590	500781530	5007815140



Triple Pivot with Height Adjustable Segment

Each arm has 23⁵/₈" extension with three pivot points, 12³/₈" free floating counter balanced height adjustment, and easy-to-use Allen wrench adjustment to counter balance the weight of the monitor.

Black	White
500781690	500781630

"Concerto" Single Screen, Double Extension, Height Adjustable

- Double Extension models allow 25 1/8" of back and forth movement. Arm folds back to post for more desk space
- The arm swivels 360° around the base, increasing the options for display position
- Options are available for panel, wall and slatwall mounting configurations
- Desk clamp and grommet mount hardware are included
- Handles monitors up to 20 lb (9 kg)
- With a clamping range of 1/2" to 2³/₄" that is standard, this new arm will fit to any work surface
- New cable manager keeps all cables hidden
- Monitor mounting bracket, with Quick Connect option, contains 75x75mm, 100x100mm, 200x200mm and 100x200 hole patterns to meet with VESA standards
- 11" of sliding travel on a 12³/₈" post (excluding monitor)

Black	Silver	White
500781890	5007818100	500781830



"CONCERTO" MONITOR ARMS

"Concerto" Dual Monitor Arm

- Best in class arm provides 26" of reach with 13" of usable height adjustment.
- Visually appealing pole-less monitor arm folds into a 4-3/8" area for more desk space in smaller work environments.
- Tool-less clamp installation makes assembly quick and easy.
- Flexibility and more options for the end user with a simple, easy-to-use Allen wrench adjustment to counterbalance the weight of the monitor.
- With a clamping range of 0" to 2 5/8" (clamp) that is standard for the "Concerto", this arm will fit to any work surface.
- Enclosed cable management system hides cables.
- Counterbalanced spring technology allows for a 2 to 14lb. load (no gas leakages from use of gas cylinders)
- The arm swivels 360° around the base, increasing the options for display position.
- Choice of colours – silver, white or black.
- Made in Canada - TAA compliant. Meets GSA bid requirement.

Black Silver White

500782290 5007822100 500782230



"Concerto" Dual Monitor Hub

- The Hub has a locking device to allow it to be firmly clamped to the pole, as well as preventing the hub from rotating, thereby eliminating any play from the monitors, while still allowing the monitor to tilt and swivel
- Keeps the monitors at the same height
- Hub provides the end-user with the ability to mount two monitors
- Handles monitors 6-20 lb (2.5-9 kg) - 39" max width
- Desk clamp and grommet mount hardware are included.
- Cable manager keeps all cables organized
- Monitor mounting bracket, with Quick Connect option, contains 75x75mm and 100x100mm hole patterns to meet with VESA standards

Black Silver White

500782490 5007824100 500782430



"Concerto" Double-Extension Dual Monitor Hub

- The Hub has a locking device to allow it to be firmly clamped to the pole, as well as preventing the hub from rotating, thereby eliminating any play from the monitors, while still allowing the monitor to tilt and swivel
- Desk clamp and grommet mount hardware are included
- Cable manager keeps all cables organized
- Handles monitors up to 20 lb (9 kg) - 36" max width
- Monitor mounting bracket, with Quick Connect option, contains 75x75mm and 100x100mm hole patterns to meet with VESA standards

Black Silver White

500782590 5007825100 500782530



"CONCERTO" MONITOR ARMS

"Concerto" Dual Arm LCD Flat Panel Desk Mounts



- 11" sliding travel on the 12³/₈" post (amount of travel reduced based on the monitor being mounted)
- Includes grommet and clamp mount, clamping range of 0" – 3¹/₂" grommet maximum surface thickness 2³/₄"
- 360° swivel monitor mount
- Handles monitors up to 20 lb (9 kg) - 32" max width
- Standard VESA Plate has 75mm and 100mm hole patterns as well as keyhole slots for easy monitor connection
- Each arm has 19⁵/₈" extension with three pivot points

Black	White	Polished Chrome
500782090	500782030	5007820140

"Concerto" Dual Monitor Triple Pivot with Height Adjustable Segment

- Each arm has 23⁵/₈" extension with three pivot points,
- 12³/₈" Free floating counter balanced height adjustment,
- Easy-to-use Allen wrench adjustment to counter balance the weight of the monitor.
- Handles monitors up to 20 lb (9 kg) - 32" max width



Black	White	Polished Chrome
500782190	500782130	5007821140

"Concerto" Double Extension Arm

- Double Extension models allow 25 1/8" of back and forth movement. Arm folds back to post for more desk space
- The arm swivels 360° around the base, increasing the options for display position
- Options are available for panel, wall and slatwall mounting configurations
- Desk clamp and grommet mount hardware are included
- Handles monitors 6-20 lb (2.5-9 kg) - 38" max width
- Clamp and grommet adjustable to fit most desks and work surfaces
- New cable manager keeps all cables hidden
- Monitor mounting bracket, with Quick Connect option, contains 75x75mm, 100x100mm, 200x200mm and 100x200 hole patterns to meet with VESA standards

Black	Silver	White
500782390	5007823100	500782330



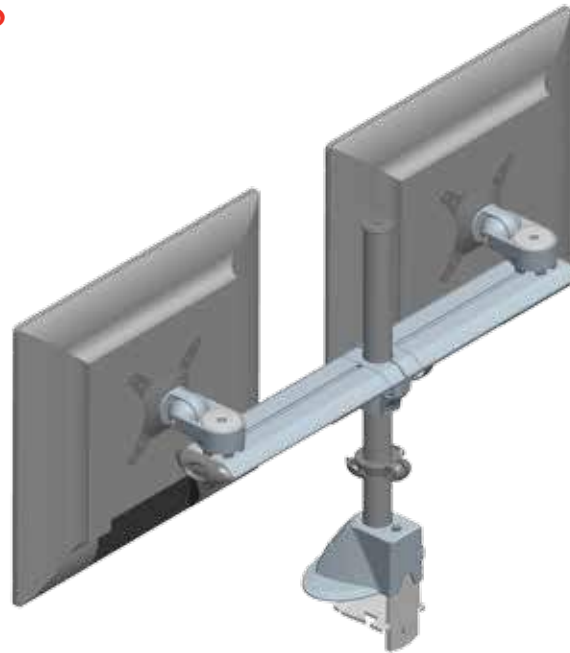
"CONCERTO" MONITOR ARMS

"Concerto" Dual Monitor Beam Mount

- Meets VESA Standards
- 10 to 20 lb (4.5-9 kg) monitor range
- Includes clamp and grommet mounts
- Handles monitors to 20 lb (9 kg) - 20" max width
- 12 3/8" post travel

Black Silver

500792590 5007925100



"Concerto" Triple Monitor Beam Mount

- The Hub has a locking device to allow it to be firmly clamped to the pole, as well as preventing the hub from rotating, thereby eliminating any play from the monitors, while still allowing the monitor to tilt and swivel
- Keeps the monitors at the same height
- Hub provides the user with ability to mount three monitors on a single pole.
- Handles monitors to 20 lb (9 kg) - 18" max width
- Cable manager keeps all cables organized
- Monitor mounting bracket, with Quick Connect option, contains 75x75mm and 100x100mm hole patterns to meet with VESA standards



Black Silver White

500783090 5007830100 500783030

"Concerto" Triple Flat Panel Mount

- Flexibility and more options for the end user with a simple, easy-to-use Allen wrench adjustment to counter balance the weight of the monitor.
- Double Extension models allow 20" of back and forth movement.
- Arm folds back to post for more desk space
- Handles monitors up to 20 lb (9 kg) - 18" max width
- Options are available for panel, wall and slatwall mounting configurations
- Monitor mounting bracket contains both 75mm and 100mm hole patterns to comply with VESA standards
- Pole allows manual height adjustment of 12 3/8"

Black Silver White

500783590 5007835100 500783530



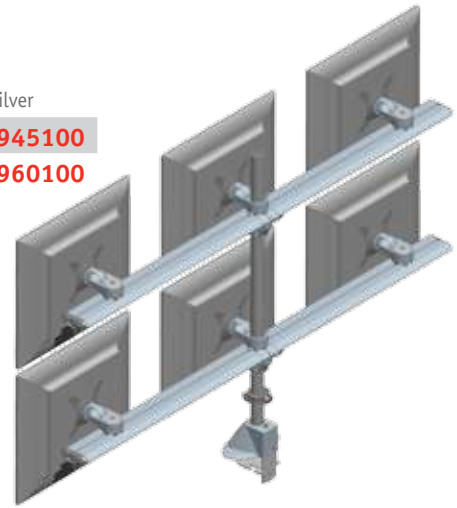
"CONCERTO" MONITOR ARMS

"Concerto" Multiple Monitor Desk Mount



	Black	Silver
Quad-Screen, Beam Mount (Max 20" width)	500794590	5007945100
Six Screen Beam Mount (Max 24" width)	500796090	5007960100

- Meets VESA Standards
- Handles monitors up to 20 lb (9 kg)
- Includes clamp and grommet mounts



"Concerto" Parabolic Multiple Monitor Desk Mount

- Meets VESA Standards
- Handles monitors up to 20 lb (9 kg) - 20" max width
- Includes clamp and grommet mounts



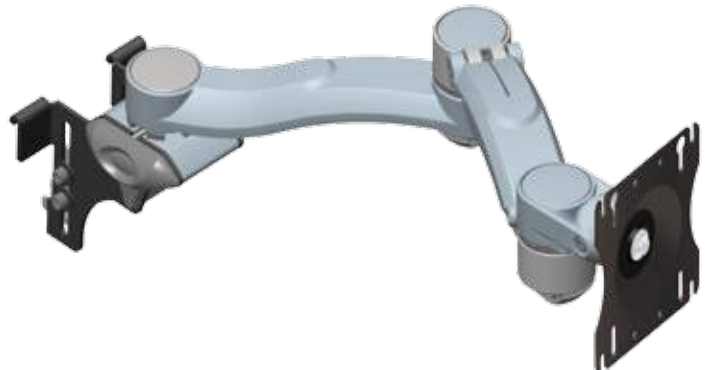
Black Silver

Parabolic Quad-Screen Beam Mount	500794090	5007940100
Parabolic Octo-Screen Beam Mount	500798090	5007980100



"Concerto" LCD Flat Panel Arms Wall / Slatwall Mount

- Meets VESA Standards
- 10 to 20 lb (4.5-9 kg) monitor range



Black Silver

Single-Screen, Slatwall Mount	501791590	5017915100
Single-Screen, Wallmount	500791690	5007916100

""BUDGET"" MONITOR ARMS

"Budget" Single Pivot Wall Mountable LCD Arm

- Single pivot point allows movement left to right
- 360° monitor rotation
- Up and down tilt
- Complete with 75 mm and 100 mm VESA brackets
- Holds up to 17.6 lb, (8 kg)

5006211106



"Budget" Dual Pivot Wall Mountable LCD Arm

- Two pivot points allows for left to right plus back and forth movement
- 360° monitor rotation
- Up and down tilt
- Complete with 75 mm and 100 mm VESA brackets
- Holds up to 17.6 lb, (8 kg)

5006212106



"Budget" Triple Pivot Wall Mountable LCD Arm

- Three pivot points allows for left to right plus back and forth movement (520 mm reach is ideal for deep work surfaces)
- 360° monitor rotation
- Up and down tilt
- Complete with 75 mm and 100 mm VESA brackets
- Holds up to 17.6 lb, (8 kg)

5006213106



"Budget" Slat Wall Mountable LCD Arms

- 360° monitor rotation
- Up and down tilt
- Complete with 75 mm and 100 mm VESA brackets
- Holds up to 17.6 lb, (8 kg)

Single pivot point allows movement left to right

5006241106

Two pivot points allows for left to right plus back and forth movement

5006242106

Three pivot points allows for left to right plus back and forth movement
(520 mm reach is ideal for deep work surfaces)

5006243106



"BUDGET" MONITOR ARMS

"Budget" Dual Pivot Desk Mountable LCD Dual Arm

- Two pivot points on each arm allows monitors to be side by side or back to back
- 360° monitor rotation
- Up and down tilt
- 100 mm of spring assisted tool less height adjustment
- Complete with 75 mm and 100 mm VESA brackets
- Holds monitors weighing up to 8.8 lb, (4 kg) each

5006224106



"Budget" Triple Pivot Desk Mountable LCD Dual Arm

- Three pivot points on each arm allows monitors to be side by side or back to back
- 360° monitor rotation
- Up and down tilt
- 100 mm of spring assisted tool less height adjustment
- Complete with 75 mm and 100 mm VESA brackets
- Holds monitors weighing up to 8.8 lb, (4 kg) each

5006225106



LCD ARM MOUNTABLE LAPTOP HOLDER

- Adjustable brackets keep laptop in place
- Mounts to any LCD arm that meets standard Vesa mounting
- Front-mounted handle for easy adjustments
- Fits laptops (diagonal): 12.1/8" - 15.3/8"
- Metal construction
- Silver

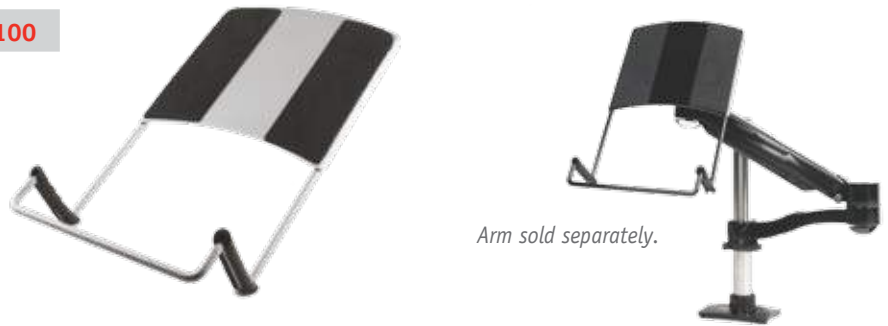
5002310



LCD ARM MOUNTABLE LAPTOP HOLDER

Black White Silver

5007801190 5007801130 5007801100



LCD ARM MOUNTABLE LAPTOP HOLDER WITH DOCUMENT HOLDER

Black White Silver

5007801290 5007801230 50078012100



LCD ARM MOUNTABLE DOCUMENT HOLDER

Silver

50078012140



iPad HOLDER

- Mounts directly to standard VESA 100 mm bracket
- Works with most monitor arms.
- Holds iPad upright in landscape or portrait view
- Stable steel cradle design
- Non-slip cushioned cradle to hold iPad firmly in place
- Cutout-style cradle to accommodate cables
- Supports all iPad models

Black Silver White

500780390 5007803100 500780330



STRAP CPU HOLDERS

Streamlined and adjustable device with an innovative strap support design. This enables the CPU to be off the floor or desk surface to create a space-saving solution. By elevating the unit, the users also benefit by its easy accessibility. CPU retracts on a 17" track and swivels to allow full accessibility and easy storage.

Width Adjustment	Weight	Weight Capacity	Swivel	Track Size
2.5" - 64" Perimeter	4 lb	75 lb	360°	17"

- 500732290** Single Strap
- 500732590** Double Strap



LOCK & STORE™ CPU HOLDER EASYREACH™ CPU HOLDER



- Full 360° rotation
 - Soft touch knob with built-in lock mechanism
 - Low profile clamp
 - Adjusts to fit CPUs 3" x 15" to 9" x 24"
 - Teflon glide track
 - Black finish
- 500736190**



Also available:
500731190
Non swivel, non storable



- Full 360° rotation
 - Low profile clamp
 - Adjusts to fit CPUs 3" x 15" to 9" x 24"
 - Teflon glide track
 - Black finish
- 500735190**

Also available:
500730190
Non swivel, non storable

CONVERTIBLE CPU HOLDER

- Mounts under desk with screws for quick installation
- Simple assembly adjusts to various CPU sizes (adjustable length 15" to 19", adjustable width 5.5" to 9.8")
- Three step conversion process to easily accept horizontal desktop CPUs or vertical tower CPUs

500159890



ECONO CPU HOLDERS

- Mounts CPU horizontally under desk to save space
- Adjustable width, from 5 1/4" to 9 1/4"
- Adjustable height, from 15 11/32" to 21 1/4"
- Swivels 90° to 180°
- Weight capability of 66 lb
- Black finish

50011090



SLIMLINE CPU HOLDERS

Designed for small CPU's

- Mounts CPU vertically under the desk to save space
- Adjustable height and width to fit different CPU's
- Weight Capacity: ~10kg
- Adjustable width from 50 to 100mm and height from 200 to 358mm, w 2"-4" h 4"-14"
- Material: Steel

Fixed Mount **5005090**



Sliding and Swivel Mount **50050190**
• 180° Pivot



MOBILE CPU CART

- Elevates CPU off floor
- Adjustable width, from 5 1/8" to 10"
- Thick foam pads cushion CPU and protect surface
- Black

500102



"PERNO" TASK LIGHTS

- Magnet for metal shelf installation or easily access the screw holes for wood shelf installation thanks to the 160° swivel feature.
- Includes fluorescent T5 tube, on/off switch, 9' ground power cord and screw kit for wood shelf mounting.
- Connect up to 8 lights max in line
- Silver finish will blend into most office shelving
- Metal / Wood Shelf Mount



"Perno II", with all the same features and benefits as the "Perno I" but now with built in Occupancy Sensor, preset with 30 minute delay. On, Off or On with Sensor settings



Size	Wattage	Suggested shelf size	PERNO I	PERNO II	BLACK
			Silver	Silver	Wood Shelf Mount Only Black
24 5/8"	14w	30" - 42"	94E1424100	94ES1424100	-
36 11/32"	21w	42" - 48"	94E2136100	94ES2136100	-
48 1/4"	28w	48" - 60"	94E2848100	94ES2848100	-
18"	10w	24" - 30"	-	-	94E1018090
24"	14w	30" - 42"	-	-	94E1424090
36"	21w	42" - 48"	-	-	94E2136090
48"	28w	48" - 60"	-	-	94E2848090

"TAZETTA" TASK LIGHT

- Energy efficient T5 3500°K fluorescent lamp with electronic ballast TCLP compliant
- Stocked in black
- 13" mounting bar included
- Options available by special order include: Dimming, Occupancy Sensor, prismatic or batwing lens, Chicago fused plug, cord colours and rotations.



	Size	Wattage	Suggested shelf size	Life cycle hrs
90450E13	12.97"	8w	18" to 24"	7,500
90450E24	23.23"	4w	30" to 42"	20,000
90450E36	35.04"	21w	42" to 48"	20,000
90450E48	46.87"	28w	48" to 60"	20,000
90450E60	58.66"	35w	60" to 72"	20,000

MOUNTING OPTION: SPRING STEEL MOUNTING BARS

9049000 12.5"

9049003 14"

LED "PURE II" DESK LAMP

Creating healthy vision for your lifestyles. Modular design with sold separately desk top base made of zinc alloy.

- LED Osram Technology
- Features: Dimmable
- Finish: Aluminum
- Kelvin Colour Temperature: 3,500 °K
- Light Colour: Warm White
- Watts: 7.5 W
- Height: 30 1/2 in
- Width: 3 1/2 in
- Voltage: 24 V

20890100



Base for LED Pure II Desk Lamp

- Desk top base made of zinc alloy
- Finish: Black
- Height: 41 mm
- Width: 167 mm
- Length: 200.4 mm

20890B90



"PERNO L" LED TASK LIGHT

Introducing Richelieu's ""Perno L"" with all the same features and benefits as the "Perno", Now in LED format with built-in Occupancy Sensor option, preset with 30 minute delay.

- "Perno L" silver finish will blend into most office shelving.
- Convenient white on/off switch or occupancy sensor located on the fixture.
- Magnet installation makes for quick and easy installation, no need to worry about additional installation bars for metal shelving.
- Magnet installation accommodates all metal shelving also included are screws for wood shelf installation.
- Aluminium body construction.
- The 160° swivel feature of the "Perno L" Task Light allows the user to position the light where needed



Product	Watts	Length	Luminous Flux
94ELS0618100	6 W	18 25/32 in	401 Lumen
94ELS0824100	8 W	24 17/32 in	609 Lumen
94ELS1436100	14 W	36 11/32 in	997 Lumen
94ELS1848100	18 W	48 15/64 in	1,235 Lumen

"PRIME" LED TASK LIGHT



- 180° swivel feature that allows for complete control
- Magnet for metal shelf installation or easily access the screw holes for wood shelf installation thanks to the 160° swivel feature
- Each light includes one 9' power cord, built in LED power supply and one 20" connecting cable
- Connect up to 100W max (total of 12 lights in line)
- Dimensions: 20 x 2 1/3 x 7/8"
- Average life: 50,000 hours

Fixture	Size	Suggested shelf size		
26121090	20"	Minimum 22"	7.5w	Black
26121100	20"	Minimum 22"	7.5w	Silver



"NOVA" LED LIGHT

Richelieu's Nova LED light is encased in the standard T5 housing. No need to change your designs or re-engineer your installations, simply upgrade from the standard T5 fluorescent to the NOVA!



	Wattage	#LED	Size
4511240413	4w	48	13 1/2 x 1 5/8 x 7/8
4511240823	8w	96	23 3/4 x 1 5/8 x 7/8
4511241435	14w	168	35 5/8 x 1 5/8 x 7/8
4511241847	18w	240	47 3/8 x 1 5/8 x 7/8



- Includes one fixture, 4,100° K T5 housing, Plexiglas, hardware mounting kit (plastic clips & direct connector), and a convenient on/off switch located on the fixture.
- Requires the following product to function: **4511240070** LED Nova 6' Power Cord

Nova Accessories

6' Power Cord	4511240070
6" Connecting Cable	4511240006
12" Connecting Cable	4511240012
20" Connecting Cable	4511240020
40" Connecting Cable	4511240040

SURFACE POWER MODULES

- 2 power outlets
- 2 receptacles for RJ11 or RJ45 adapters
- Cover stores out of the way when in use
- 6 ft power cord

50030500 Standard 110v receptacle

50030512 RJ45 Data coupler

Phone & Data Jacks are sold separately



COMMUNICATION AND POWER ACCESS BOX

- Available in 2 gang configurations for any combination of data, voice, fibre optics, fax, audio, video or power.
- Includes duplex power receptacle
- Field movable voltage barrier system.
- Fold away cover/door for easy access.



SQUARE ACCESS BOX

10041090 Black

100410170 Stainless steel

RECTANGULAR ACCESS BOX

10042090 Black

100420170 Stainless Steel

DOUBLE RECTANGULAR ACCESS BOX

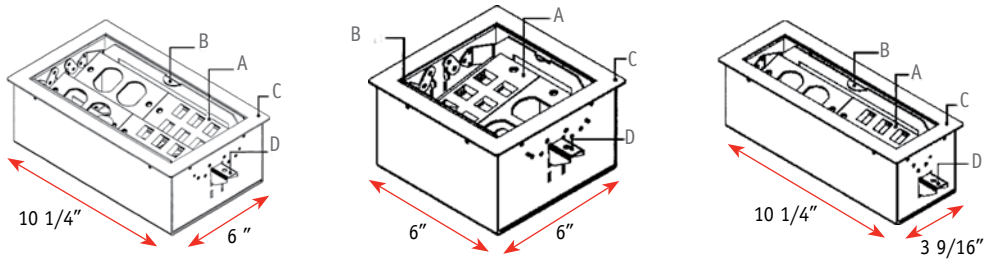
10043090 Black

100430170 Stainless Steel

COUPLERS FOR ABOVE ACCESS BOXES

10045190 RJ11

10045290 RJ45



- A - Supports all structured data wiring systems
- B - Convenient flip-up covers for easy access
- C - Durable 16 gauge steel construction
- D - Adjustable hold-downs simplify rigid installation

TABLETOP POWER HARNESS WITH USB



	Plugs	USB	Size	Finish
201114100	1	2	5.4 x 5.3 x 2.7h	Silver/Matt black insert
201214100	2	0	5.4 x 5.3 x 2.7h	Silver/Matt black insert
201314100	3	2	10.5 x 4.7 x 2.7h	Silver/Matt black insert

POWER HARNESS TWO OUTLET TWO USB

- Charge your phone and all other devices with a two outlet two USB surface mounted power harness.
- The harness is surface mounted and installed with screws so that it stays in place and won't shift around during use.

432290



POP UP POWER SOLUTIONS

- Pull up handle for easy access to the pop up power bar
- Simple press to release the power bar and return it to the recessed position
- IP54 waterproof and dust proof design

	Plugs	USB	RJ45	Top	Finish
100492140	2	2	n/a	Aluminium	Chrome Satin
100492185	2	2	n/a	Aluminium	Nickel
100492090	2	2	2	Plastic	Black



GROMMET CHARGE PORT

A new way to charge items and get power at a work station while not using up any desk space



	Plugs	USB	Bore Hole	Finish
7188101090	1	1	60mm	Black
7188102090	0	2	60mm	Black

SURFACE POWER MODULES



- 2 powered USB ports 2.1A
- 3 grounded outlets
- Combo Style, universal jack for both RJ45 and RJ11 connections
- Included 2 USB cables and power adaptor
- 10' grounded power cord
- Outside diameter: 4.33" (110 mm)
- Bore hole: 4.17" (106 mm)

100213090

- Round Power Station with 3 Outlets
- Easy installation
- Quickly adapts to any desk or conference table
- Outside diameter: 4³/₁₆"/110mm

100413090 Power, Universal RJ45 & RJ11

4-PORT USB 2.0 HUB WITH CABLE

A new way to charge your devices

- Four high-speed USB 2.0 ports (40 times faster than USB 1.1)
- Connect up to 4 USB 2.0 devices simultaneously
- Powered from USB, compact design for easy portability and use
- Cable length: 1 m
- Drilling Diameter 50 mm
- Finish Silver
- Material Plastic
- Height 32 mm
- Packaging format Per unit

71881040100



MINI POWER AND DATA SOLUTIONS

- Easily mounts to tables, desks, and work surfaces
- Unique swiveling 6' power cord adapts to each application
- Only add voice/data modules when needed
- Voice/data jacks mount flush, for a clean professional look
- UL and CSA listed
- Accommodates surface thicknesses up to 1½"
- Compatible with most voice/data jacks

50030503 Power only

50030506 Data & Power Combo

Phone & Data Jacks are sold separately.

50030512 RJ45 Data coupler



POWER BAR WITH 3 CHARGE OUTLETS AND 2 USB

An ideal solution for any hotel desk, computer station, office or home office where space is limited but additional outlets and charge ports are a must!

- Finish: Black
- Voltage: 125 V
- Length: 9 5/8 in
- Watts: 1 875 W
- Power Receptacle: 3
- Width: 2 5/8 in

100312090

POWER BAR

6 Outlet Power Bar, 10' Power Cord with 90° Plug

- Finish: Black
- Height: 1 1/4 in
- Length: 11 1/4 in
- Power Receptacle: 6
- Width" 2 in

10046905



WIRELESS CHARGE PAD

Qi Enabled Wireless Charging

Charge your phone hassle free with a new wireless charge pad. Wireless charging: simply place down any Qi-enabled device or device equipped with a Qi-compatible transmitter, Recessed installation. Many different wireless charging technologies are starting to emerge on the market. New phones have the built in Qi transmitter required for wireless charging; older phone require a transmitter. We do not provide the transmitter but they are available online in a multitude of varieties, Compared to other models that are surface mounted, this recessed version stays in place and won't shift around the desk during use.

7188018090



Transmitter not included.

WIRELESS DRAWER/CHARGER

Qi Enabled Wireless Charging

New wireless drawer charger will change how you feel about drawers forever! Now you can easily charge your smart phone or tablet in two ways! If you have a wireless transmitter built into your phone, simply place your phone on the red built-in charger pad and charging begins. Or use one of the two integrated USB ports.

718813090



WIRE MANAGEMENT

Rectangular Grommet with Brush

Aluminium cover with straight flap, a black brush seal and smooth closing function.

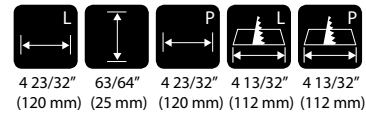


Product	Finish	Overall Width	Overall Depth	Drilling Width	Drilling Depth
2134278XXX	90 Black	12 19/32"	4 21/64"	12 13/32"	4 1/8"
	100 Grey	(320 mm)	(110 mm)	(315 mm)	(105 mm)
2135206XXX	90 Black	9 29/64"	4 23/32"	9 1/4"	4 17/32"
	100 Grey	(240 mm)	(120 mm)	(235 mm)	(115 mm)
2135322XXX	90 Black	17 23/32"	4 23/32"	17 33/64"	4 17/32"
	100 Grey	(450 mm)	(120 mm)	(445 mm)	(115 mm)

SQUARE GROMMET WITH BRUSH

Aluminium cover with straight flap, a black brush seal and smooth closing function.

2135115100



Rectangular Grommet with Dual Brush

Dual cable outlet in Aluminium with straight magnet cover and black brush seal on both sides.

- Cut out sizes:
Width: 102 mm
Length: 312 mm
- Length: 320 mm
- Width: 110 mm
- Thickness: 25 mm
- Packaging format: Per unit

2134301XX

BLACK (90) SILVER (100)



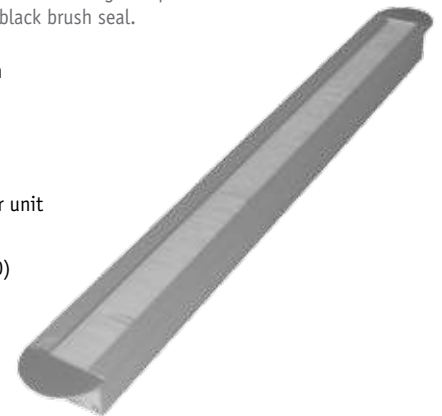
Rectangular Grommet - Rounded Ends

Cable outlet in Aluminium with straight flap cover and rounded ends with black brush seal.

- Cut out sizes:
Width: 409 mm
Length: 39 mm
- Material: Aluminium
- Length: 450 mm
- Width: 45 mm
- Packaging format: Per unit

2090108XX

BLACK (90) SILVER (100)



Rectangular Grommet with Brush

Cable rectangular outlet in aluminum with straight flap cover and black brush seal.

- Cut out sizes:
Width: 113 mm
Length: 63 mm
- Material: Metal
- Length: 70 mm
- Width 120 mm
- Packaging format Per unit

2341212XX

BLACK (90) SILVER (100)



Modular Cable Outlet

Outlet with an Aluminium finish, designed for use with workspace-dividing partitions in glass, wood, or other materials.

- Cut out sizes:
Width: 1493 mm
Length: 196.5 mm
- Material: Zinc
- Height: 100 mm
- Overall Depth: 201 mm
- Overall Width: 1500 mm
- Packaging format: Per unit

6016150010

SATIN ALUMINIUM



GROMMETS

Plastic



	Height	Bore Dia.	Available in the following colours (replace XXX with code)
510XXX	5/8" (16.2 mm)	1 3/4" (44.8 mm)	30, 90
600XXX	5/8" (16.2 mm)	1 15/16" (48.2 mm)	30, 40, 60, 90
601XXX	5/8" (16.2 mm)	1 15/16" (48.2 mm)	100
760XXX	5/8" (16.2 mm)	2 1/2" (63.5 mm)	30, 40, 60, 90, 100
890XXX	5/8" (16.2 mm)	3" (76.2 mm)	30, 40, 60, 90, 100



	Height	Bore Dia.	Overall Dia.	Available in the following colours (replace XXX with code)
90060XXX	11/16" (18 mm)	2 3/8" (60 mm)	2 15/16" (75 mm)	30, 40, 60, 90, 100, 106
90044XXX	11/16" (18 mm)	1 3/4" (44 mm)	2 3/16" (55 mm)	30, 40, 60, 90, 100



	Bore Dia.	Height	Available in the following colours (replace XXX with code)
50091XXX	50mm	22mm	30, 40, 60, 90, 100
600910XX	60 mm	22mm	30, 40, 60, 90, 100, 130, 140, 907

Metal



	Bore Dia.	Overall Dia.	Height	Finish
166012140	60mm (2- 3/8")	67mm(2- 5/8")	12mm (1/2")	Chrome
166012174	60mm (2- 3/8")	67mm(2- 5/8")	12mm (1/2")	Satin Chrome
16601290	60mm (2- 3/8")	67mm(2- 5/8")	12mm (1/2")	Black



168012140	80mm (3- 1/8")	88mm(3- 1/2")	12mm (1/2")	Chrome
168012174	80mm (3- 1/8")	88mm(3- 1/2")	12mm (1/2")	Satin Chrome
16801290	80mm (3- 1/8")	88mm(3- 1/2")	12mm (1/2")	Black



166021140	60mm (2- 3/8")	67mm(2- 5/8")	21.3mm (7/8")	Chrome
166021174	60mm (2- 3/8")	67mm(2- 5/8")	21.3mm (7/8")	Satin Chrome
16602190	60mm (2- 3/8")	67mm(2- 5/8")	21.3mm (7/8")	Black



168021140	80mm (3- 1/8")	88mm(3- 1/2")	21.3mm (7/8")	Chrome
168021174	80mm (3- 1/8")	88mm(3- 1/2")	21.3mm (7/8")	Satin Chrome
16802190	80mm (3- 1/8")	88mm(3- 1/2")	21.3mm (7/8")	Black

Metal Grommet for Glass



608015170
60mm Stainless Steel
60801510
60mm Aluminium

Metal Grommet for Glass

Stainless Steel

20692170 56 mm
20694170 74.5 mm



FINISHES

- 30 White
- 60 Brown
- 100 Gray
- 140 Chrome
- 170 Stainless Steel
- 174 Satin Chrome
- 510 Aluminium
- 40 Almond
- 90 Black
- 106 Silver

Grommet with Pencil Holder

- Bore Diameter: 79 mm
- Finish: Black (90)
- Material: ABS
- Height: 53 mm
- Overall Diameter: 90 mm

60903090



Sectional Cable Entry Plug

	Height	Colour
20910106	1" (25,4 mm)	106
2091090	1" (25,4 mm)	90
2095890	5/8" (15,88 mm)	90

Metal Grommet with Brush

- Bore Diameter: 60 mm
- Finish: Brushed Steel
- Material: Zamak
- Height: 15 mm
- Overall Depth: 56 mm

6026195

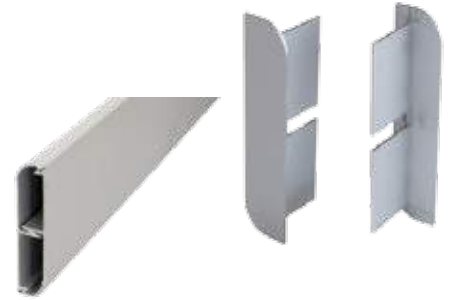
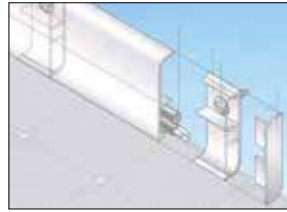


Aluminium Wire Management

- Anodized Aluminium cable manager for hooded cables, satin finish
- Use pieces of profile cut in lengths of 1" to 1 1/2", flip 180° and fasten securely to the wall with screws.
- Easy to clean, use at home or in your office, perfect for lighting installation under cabinets.

7007628210 1/2" x 2 1/2 x 79" Rails

700762810 End Caps



Wire Management Molding with Closing Attachment

This molding is designed to conceal the majority of lighting wires, giving you a space that is both functional and aesthetically pleasing.

- Flexible and rigid PVC / Coextrusion
- Height: 1/2 in
- Finish: White (30)
- Material: PVC with Peel and Stick Tape
- Length: 96 in
- Width: 1 3/16 in

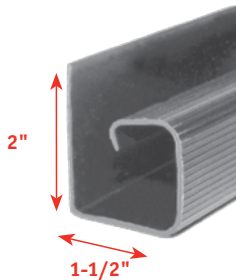
PF04030



Wire Channel Screw or Staple

- Height: 2 in
- Width: 1 1/22 in
- Finish: Black (90)
- Length: 72 in

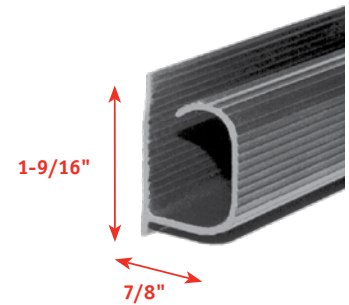
512490



Wire Channel Peel & Stick

- Height: 1 in
- Finish: Black (90)
- Width: 1 5/8 in
- 5 pieces / 6' lengths

PF5690

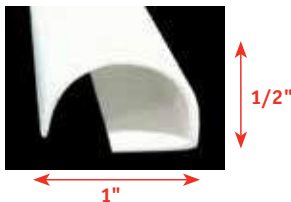


Wire Management Molding

- Height: 1/2 in
- Peel and Stick Tape
- Length: 96 in
- Width: 11/16 in

PF3411 Beige

PF3430 White



Cable Clamps

	Size	Colour
1691490	3 3/64" (91 mm)	Black
16914100	3 3/64" (91 mm)	Gray
16916100	5 5/16" (135 mm)	Gray
1691690	5 5/16" (135 mm)	Black



Wire Clip

- Finish: Black (90)

3309090



Double Sided Tape

- High strength acrylic adhesive on closed cell PE foam with a white conformable core.
- Polyethylene liner for easy removal.
- 216 ft roll

D031212 Black 1/2"

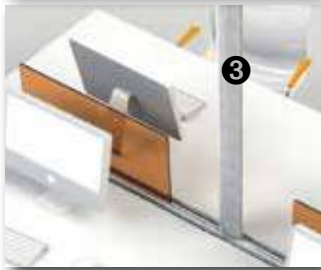


WIRE MANAGEMENT



1 Vertical Cable Guide
Column grommet designed for tables with a maximum height of 28 13/32" (720 mm).

- 1672010** Aluminium
- 1672030** White
- 1672090** Black



2 Horizontal Cable Guide
Cable guide with 13 panel units .
Fits under a table top.

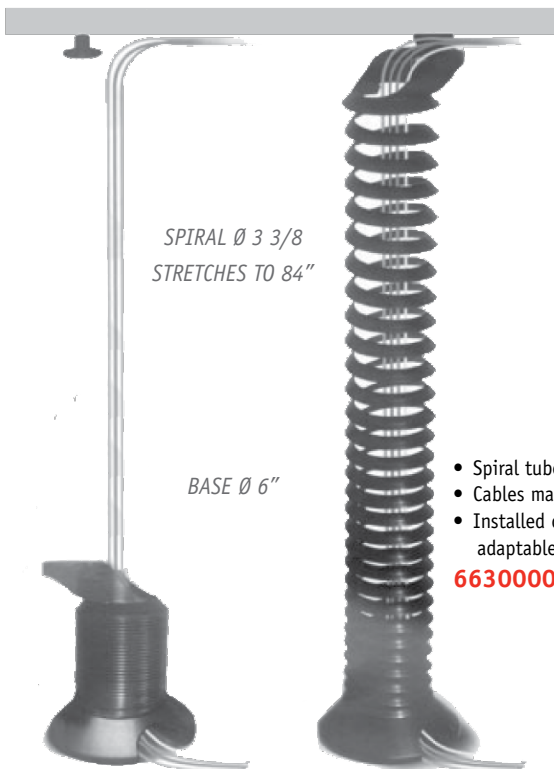
- 1689010** Aluminium
- 1689090** White
- 1689030** Black

Floor mounted Cable Holders

This cable storage system can be installed on the floor keep your room appearance neat. Pre-drilled for screws, or can be installed using double-sided adhesive tape.



- 208721810** 2000 mm – 35 7/16" Aluminium Channel
- 208720110** 14.5 cm – 5 3/4" Aluminium Elbow



- Spiral tube in black plastic
- Cables may run through it
- Installed on base of desk, adaptable to all situations

663000090

- Separates wire in different channels for easier maintenance.
- Kit includes:
 - 1 x top bracket
 - 15 x spine wheels
 - 2 x fixing clip (for horizontal applications)
 - 1 x weighted base
- Length 900 mm / 35 7/16"

- 50808090** Black
- 508080106** Silver



ABOVE DESK STORAGE SYSTEM

End Post



99200190
15"

Slat Rail



99202490
7" x 24" x 3/4"

99203690
7" x 36" x 3/4"

99204890
7" x 48" x 3/4"



ABOVE DESK STORAGE SYSTEM ACCESSORIES

Black Finish

PHONE HOLDER



99100590
2" x 9 1/2" x 8 1/2"

ORGANIZER TRAY



99100490
2" x 10" x 9 1/2"

LEGAL-SIZE TRAY



99100790
2" x 10 1/2" x 15"

LETTER SIZE TRAY



99100390
2" x 9 1/2" x 14"

SHELF WITH BRACKETS



99102490
2" x 24" x 7"

PENCIL HOLDER



99100090
4" x 3 1/2" x 4"

BINDER HOLDER



99100990
9" x 10 1/2" x 5"

FILE HOLDER



99100890
2 1/2" x 12 1/2" x 7"

HOLE SAWS

Ideal for cutting wood, laminate, sheet metal, thick metal, stainless steel, or plastic.

- Teeth in cobalt alloy (8%) for longer life and higher heat resistance
- Works with standard or Quick Change mandrels (Quick Change requires adapters)
- Reinforced shoulder for added strength and longer life
- Progressor (TM) tooth design cuts faster and last longer
- 10° cutting angle for high performance



	Diameter.	
BSHB175	1 3/4"	44.45 mm
BSHB187	1.7/8"	47.625 mm
BSHB200	2"	50.8 mm
BSHB236	2 3/8"	60.325 mm
BSHB250	2 1/2"	63.5 mm
BSHB300	3"	76.2 mm
BSHB363	3 5/8"	92.075 mm
BSHB425	4 1/4"	92.1 mm
BSHB436	4 3/8"	11.113 mm

3/8" Universal Quick Change Mandrel Kit

Included Product(s)

- 1 mandrel (3/8")
- 1 small adapter for hole saw sizes from 9/16" to 1-3/16"
- 1 large adapter for hole saw sizes from 1-1/4" to 6"

BSPCM38AN



GEL PALM RESTS

19" Premium single piece gel **GEL300K**

26-3/4" Premium single piece gel **GEL300M**

19" Premium gel kit, 19" keyboard & 4-3/4" mouse palm rest **500811990**

For "Microsoft Natural" keyboard **GEL1590**
(not shown)



PEEL & STICK PALM RESTS

Foam

Gel

20" **500612090** **500612090G**

27" **500612790** **500612790G**



FOOT REST

Adjusts from 3" to 5" off floor

500EFR200



PEEL & STICK GEL MOUSE PADS

8" **GEL8595** - RECOMMENDED FOR PHENOLIC SERIES MOUSE TRAYS

CORNER MAKERS

- Converts 90° corners to usable work areas
- Works with surfaces up to 1 1/2" thick



To create 18" diagonal, recommended for use with "MOMENTUM" series

500179090

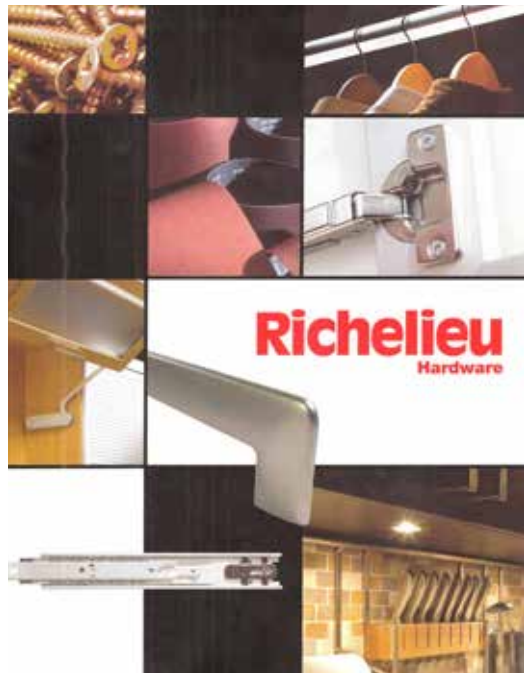
To create 28" diagonal, recommended for use to fill cut outs or where a wide keyboard tray is required

5001792890

ANTI BACTERIAL PULLS

- Certified recycled content for LEED certification.
- Brass

Ref #	SKU	Center to Center	Overall Dimension Metric (mm)	Overall Dimension Imperial	Screw (Included)
1	93896	96	106 x 38 x 36	4-3/16 x 1-1/2 x 13/8	8/32
2	938128195AB	128	137 x 38 x 36	5-3/8 x 1-1/2 x 13/8	8/32
3	938192195AB	192	202 x 38 x 36	7-15/16 x 1-1/2 x 13/8	8/32
4	938224195AB	224	234 x 38 x 36	9-1/4 x 1-1/2 x 13/8	8/32
5	93232195AB	-	∅ 32 x 30	1-1/4 x 13/16	8/32
6	938203195AB	203	222 x 19 x 48	8-3/4 x 3/4 x 1-7/8	1/4 - 20
7	938305195AB	305	323 x 19 x 48	12-3/4 x 3/4 x 1-7/8	1/4 - 20



VISIT
WWW.RICHELIEU.COM
 FOR ALL YOUR
 HARDWARE NEEDS

WALL CONNECTORS

- Ideal for glass, acrylic, and materials from 5 to 10 mm thick.



Height 55 mm (2 11/64 in)
 Width 54 mm (2 1/8 in)
 Thickness 25 mm (63/64 in)
 Glass Thickness 5 to 10 mm (13/64 to 25/64 in)

BP3100174 Satin Chrome

BP3100195 Satin Nickel



WHITEBOARDS AND TACKBOARDS

ECONOMY WHITEBOARDS

- Aluminium frame
- Includes fastener & pen rail
- Cost effective solution

Magnetic Painted Metal Surface

MBE2330 2' x 3' framed,

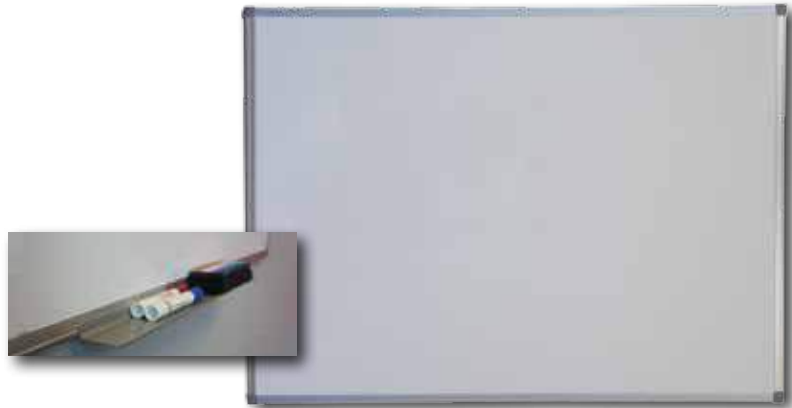
MBE3430 3' x 4' framed,

MBE4430 4' x 4' framed

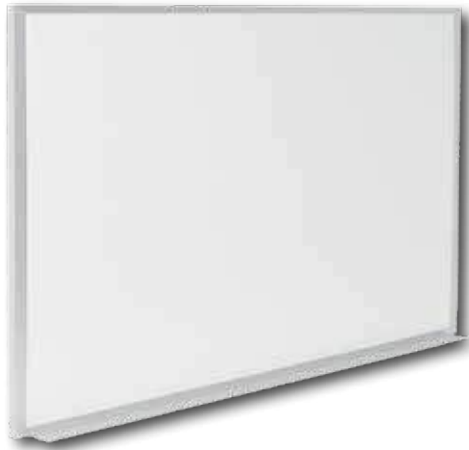
MBE5430 5' x 4' framed

MBE6430 6' x 4' framed

MBE8430 8' x 4' framed

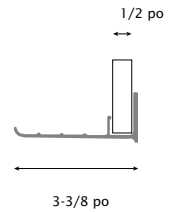


MAGNETIC WHITEBOARDS



Whiteboard Porcelain Enamel on Steel Surface

- A hard as glass porcelain enamel surface
- Attractive Aluminium frame
- Dustless, ideal for computer rooms
- Durable and strong surface that is easy to write on and easy to erase
- Will not stain or discolour
- Magnetic surface
- 50 year warranty on writing surface
- Complete with mounting hardware
- Useable as a projection screen
- Stock colour is white
- Custom sizes available through special order



MB3004430 4' x 4' framed, complete with full-length marker trough

MB3006430 6' x 4' framed, complete with full-length marker trough

MB3008430 8' x 4' framed, complete with full-length marker trough

MB30012430 12' x 4' framed, complete with full-length marker trough

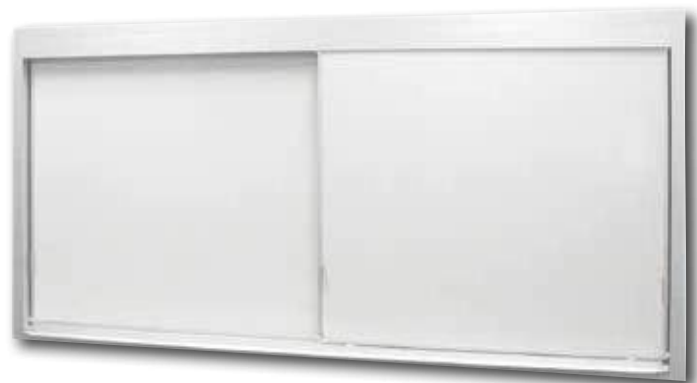
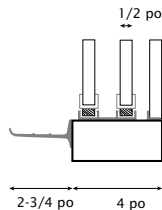
MBB1230 8' x 4' unframed

MAGNETIC SLIDING WHITEBOARDS

HORIZONTAL OR VERTICAL SLIDING WHITEBOARDS

All sizes available through custom order only

- Double your writing space
- Sliders are top suspended and glide easily on nylon roller bearing
- Rugged construction with top and side channels bolted together
- Dustless, ideal for computer rooms
- Durable and strong surface that is easy to write on and easy to erase
- Will not stain or discolour
- Magnetic surface
- 50 year warranty on writing surface
- Complete with mounting hardware
- Useable as a projection screen
- Stock color is white
- Custom sizes available through special order



WHITEBOARD SUPPLIES

180669 Dry Erase Marker Red (Pack of 12)

180670 Dry Erase Marker Blue (Pack of 12)

180671 Dry Erase Marker Black (Pack of 12)

180672 Dry Erase Marker Green (Pack of 12)

1806734 Dry Erase Marker Assorted (Pack of 4)

180673 Dry Erase Marker Assorted (Pack of 12)

180227 Standard Sewed Eraser

180683 Whiteboard Cleaner



LOFLAME® VINYL TACKBOARDS

- Attractive vinyl fabric
- Popular color ranges
- Easy to clean
- Self-healing vinyl
- Laminated to 1/2" soft fibreboard
- Attractive Aluminium frame
- Complete with mounting hardware
- Custom sizes available through special order

Early Warning Effect

- When heated above 300° Fahrenheit the wallcovering gives off a colourless odorless vapour that will set off the alarm on a ionization smoke detector.

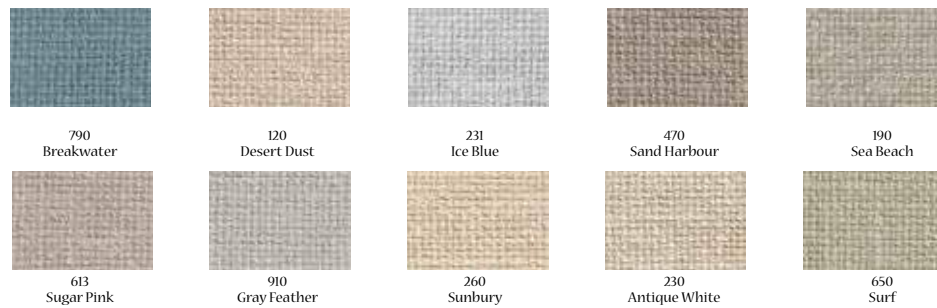
Koroklear

- A protective coating that offers superior protection and a barrier against staining.



- TB30023*XXX** 2' x 3' framed
- TB30044*XXX** 4' x 4' framed
- TB30064*XXX** 6' x 4' framed
- TB30084*XXX** 8' x 4' framed
- TBB48*XXX** 8' x 4' unframed

*Add Colour Codes

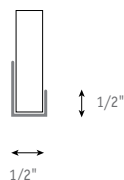


Colours may vary from swatches shown

CORKBOARDS

- Practical tackboard
- Excellent tackability
- Easy to clean
- Self-healing cork
- 0.8 mm cork laminated to 1/2" fibreboard
- Attractive Aluminium frame
- Complete with mounting hardware
- Custom sizes available through special order

- CT30022** 2' x 2' framed
- CT30044** 4' x 4' framed
- CT30064** 6' x 4' framed
- CT30084** 8' x 4' framed
- CTB716** 8' x 4' unframed



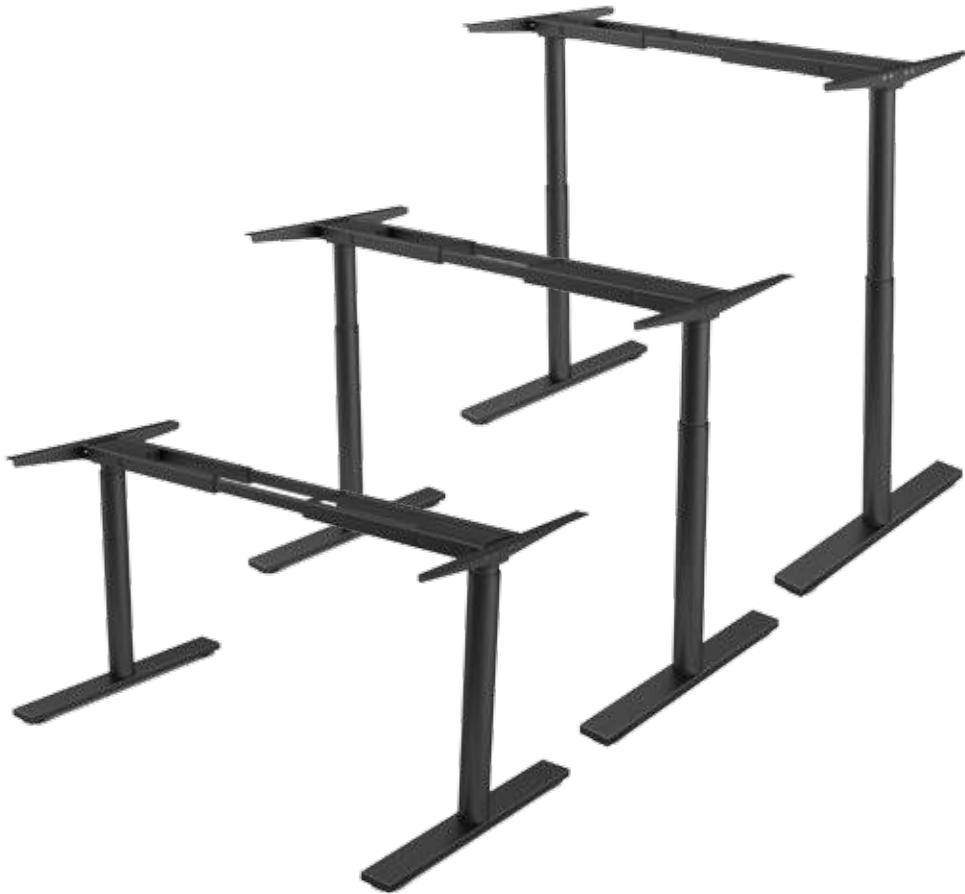
Office Dealer Dedicated Customer Service Number

www.richelieuergo.com

1-866-440-0448

ergoinfo@richelieu.com

Fax 1-800-890-4139



PRINTED IN CANADA \$3
CODE : SOLOFF
11TH EDITION, 10-2016

 **Richelieu**
richelieu.com

1-800-361-6000 Canada
1-800-619-5446 "UNITE"d States
info@richelieu.com

