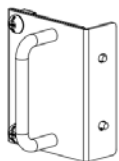




RM-DSG3000 Rackmount Kit

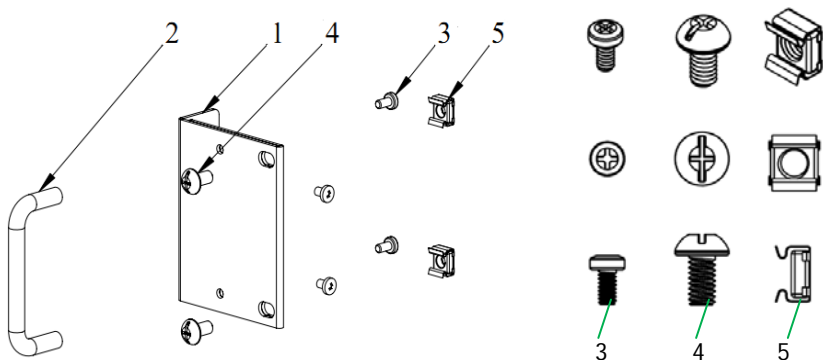
Product Overview

RM-DSG3000, the rackmount kit of DSG3000 series RF signal generator, as shown below, is used to mount your generator into a standard 19-inch machine cabinet.



Kit Parts List

No.	Name	Qty.	Description
1	Rack Mount	2	
2	Rack Handle	2	
3	M4 Screw	8	M4 x 8 Cross Recessed Pan Head Screw
4	M6 Screw	4	M6 x 16 Phil-Slot Pan Head Screw
5	M6 Nut	4	M6 x 5 Lock Blade Square Nut

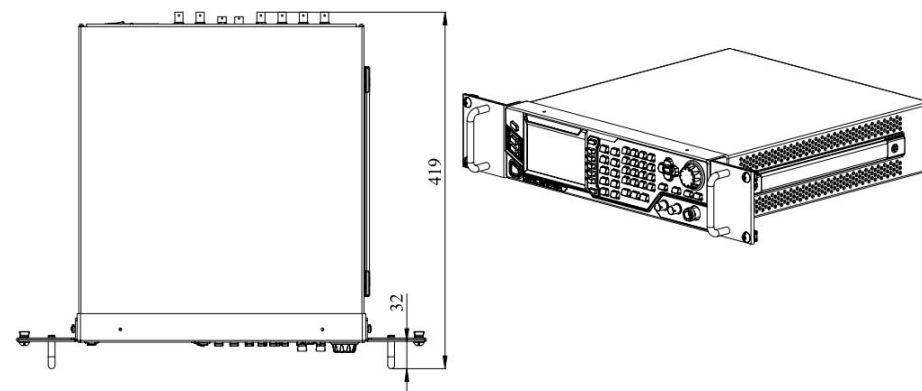
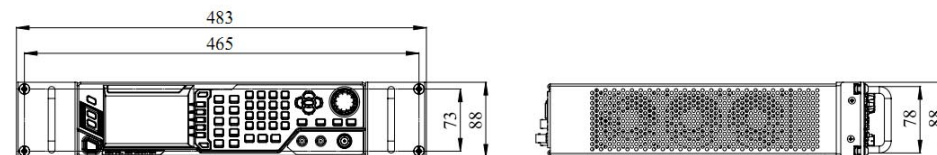


Space Requirements for Installation

The follow requirements must be fulfilled by the machine cabinet in which the instrument is mounted.

- Dimension of the machine cabinet must be standard 19-inch.
- At least 2U (88.9 mm) space should be provided by the machine cabinet.
- The depth inside the machine cabinet should not be less than 450 mm.

The dimension of the instrument after being installed is shown below (the unit is mm).



Installation Tool

PH2 Phillips Screwdriver (recommended)

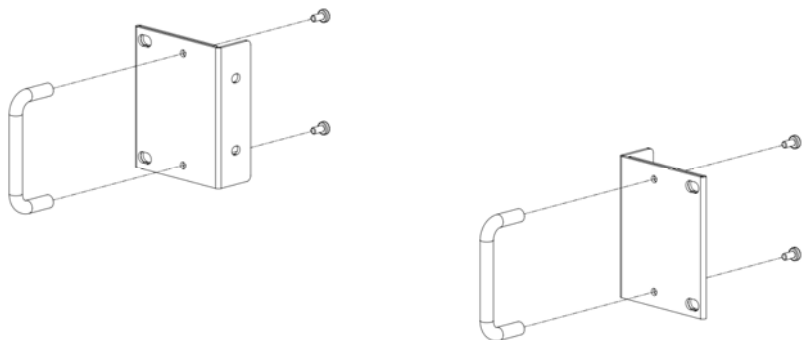
Installation Procedures



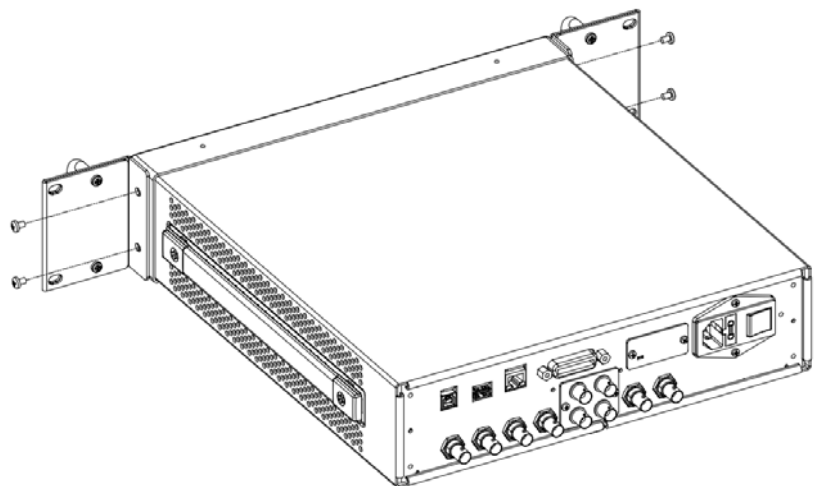
CAUTION

Only authorized operators can execute the installation operation because that the instrument will be damaged or installed in machine cabinet incorrectly if the installation is not proper.

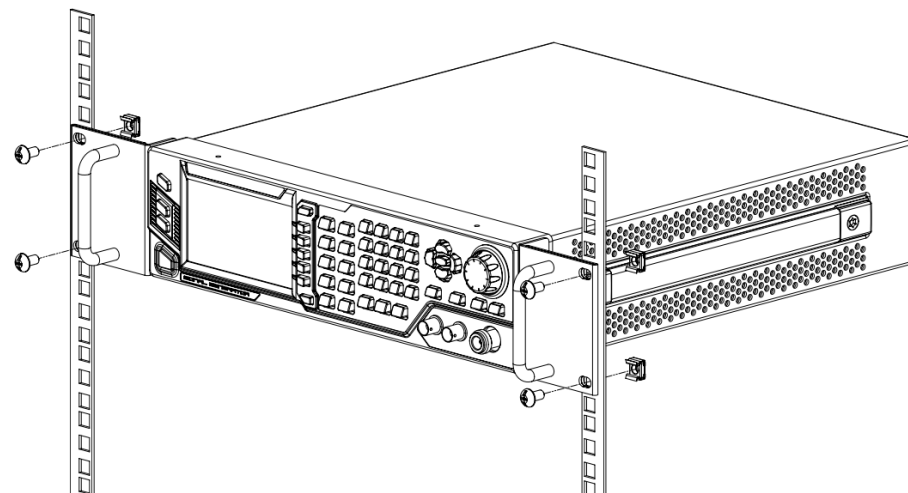
1. Install the rack handles: fix the two handles onto the two rack mounts respectively using two M4 screws.



2. Install the rack mounts: aim the rack mounts at the screw holes and fix them with two M4 screws respectively.



3. Load into the machine cabinet: mount the rack with instrument fixed into a standard 19-inch machine cabinet using four M6 screws and square nuts.



Installation Cautions

The rack holds a height of 2U (1U=44.45 mm), and the holes pointed out by the arrows in the figure below are the mounting holes for the rack which should be aligned when installing.

