

ROBINAIR

Original Instructions
Instrucciones originales
Consignes originales
Instruções originais

Models: 34988NI, 34988NI-230



Recover, Recycle, Recharge Machine
for R-134a A/C Systems

ROBINAIR.COM / 800.533.6127 /   

Description: Recover, recycle, and recharge machine for use with R-134a equipped air conditioning systems.

PRODUCT INFORMATION

Record the serial number and year of manufacture of this unit for future reference. Refer to the product identification label on the unit for information.

Serial Number: _____ Year of Manufacture: _____

DISCLAIMER: Information, illustrations, and specifications contained in this manual are based on the latest information available at the time of publication. The right is reserved to make changes at any time without obligation to notify any person or organization of such revisions or changes. Further, ROBINAIR shall not be liable for errors contained herein or for incidental or consequential damages (including lost profits) in connection with the furnishing, performance, or use of this material. If necessary, obtain additional health and safety information from the appropriate government agencies, and the vehicle, refrigerant, and lubricant manufacturers.

Table of Contents

Safety Precautions	2	Maintenance	24
Explanation of Safety Signal Words	2	Maintenance Schedule	24
Explanation of Safety Decals	2	Load Language	25
Protective Devices	4	Adjust Background Fill Target	26
Refrigerant Tank Test	4	Tank Fill	26
Introduction	5	Filter Maintenance	27
Technical Specifications	5	Check Remaining Filter Capacity	27
Features	6	Replace the Filter	28
Control Panel Functions	8	Calibration Check	29
Icon Legend	9	Change Vacuum Pump Oil	30
Setup Menu Functions	10	Leak Check	31
Initial Setup	11	Edit Print Header	32
Unpack the Machine	11	Replace Printer Paper	32
Unpack the Accessory Kit	11	A/C Service Function	33
Accessory Kit	11	Replacement Parts	33
Power Up the Machine	11	Glossary	33
Select Language	12	Troubleshooting	34
Select Units	12	Storage and Transportation of Equipment	37
Set Date and Time	12	Storage	37
Edit Print Header	12	Transportation of Equipment	37
Service Vacuum	13	Disposal of Equipment	38
Adjust Background Fill Target	13	Disposal of Recycled Materials	38
Tank Fill	13	Disposal of the Machine	38
Unit Activation	15	Disposal of Batteries	38
Operating Instructions	16		
Enter Service Data	16		
Recover Refrigerant from a Vehicle	17		
Evacuate the Vehicle A/C System	18		
Flushing the Hoses	19		
Recharge the Vehicle A/C System	20		
Automatic Function	21		
System Flush	22		

Safety Precautions

Explanation of Safety Signal Words Used in this Manual

The safety signal word designates the degree, or level, of hazard seriousness.

 **DANGER:** Indicates an imminently hazardous situation which, if not avoided, will result in death or serious injury.

 **WARNING:** Indicates a potentially hazardous situation which, if not avoided, could result in death or serious injury.

 **CAUTION:** Indicates a potentially hazardous situation which, if not avoided, could result in minor or moderate injury.

CAUTION: Used without the safety alert symbol indicates a potentially hazardous situation which, if not avoided, could result in property damage.

These safety messages cover situations Robinair is aware of. Robinair cannot know, evaluate, or advise as to all possible hazards. The user must verify that conditions and procedures do not jeopardize personal safety.

Explanation of Safety Decals Used on the Machine

	Carefully read the instructions.
	Do not use in open air in case of rain or high humidity.
	Wear gloves.
	Wear protection goggles.
	Alternating voltage.
	Grounding protection.
	Electrical shock hazard.

Safety Precautions



WARNING: To prevent personal injury,



ALLOW ONLY QUALIFIED PERSONNEL TO OPERATE THE MACHINE. Before operating the machine, read and follow the instructions and warnings in this manual. The operator must be familiar with air conditioning and refrigeration systems, refrigerants, and the dangers of pressurized components. If the operator cannot read this manual, operating instructions and safety precautions must be read and discussed in the operator's native language.



USE THE MACHINE AS OUTLINED IN THIS MANUAL. Using the machine in a manner for which it was not designed will compromise the machine and nullify the protections provided.



PRESSURIZED TANK CONTAINS LIQUID REFRIGERANT. Do not overfill the internal storage vessel (ISV). Overfilling can cause explosion resulting in personal injury or death. Do not recover refrigerants into nonrefillable containers; use only type-approved refillable containers that have pressure relief valves.



HOSES CAN CONTAIN LIQUID REFRIGERANT UNDER PRESSURE. Contact with refrigerant can cause personal injury, including blindness and frozen skin. Wear protective equipment, including goggles and gloves. Disconnect hoses using extreme caution. Ensure the phase is complete before disconnecting the machine to prevent the release of refrigeration to the atmosphere.



AVOID BREATHING A/C REFRIGERANT AND LUBRICANT VAPOR OR MIST. Exposure can irritate eyes, nose, and throat. To remove refrigerant from the A/C system, use only equipment certified for the type of refrigerant being removed. Use the unit in locations with mechanical ventilation that provides at least four air changes per hour. If accidental system discharge occurs, ventilate the work area before resuming service.

DO NOT DISPERSE REFRIGERANT INTO THE ENVIRONMENT. Prevent the possible presence of refrigerant in the working environment.



TO REDUCE THE RISK OF FIRE, do not use the machine in the vicinity of spilled or open containers of gasoline or other flammable substances.

TO REDUCE THE RISK OF FIRE, do not use an extension cord. An extension cord can overheat and cause fire. If an extension cord must be used, use the shortest possible cord with a minimum size of 14 AWG.

TO REDUCE THE RISK OF FIRE, do not use the machine in the vicinity of flames and hot surfaces. Refrigerant can decompose at high temperatures and free toxic substances to the environment that can be noxious to the user.

TO REDUCE THE RISK OF FIRE, do not use the machine in environments containing explosive gases or vapors.

TO REDUCE THE RISK OF FIRE, do not use this machine in ATEX classified zones or areas. Protect the machine from conditions that can cause electrical failure or other hazards relating to ambient interaction.



CAUTION—DO NOT PRESSURE TEST OR LEAK TEST EQUIPMENT AND/OR VEHICLE AIR CONDITIONING SYSTEMS WITH COMPRESSED AIR. Mixtures of air and R-134a refrigerant can be combustible at elevated pressures. These mixtures are potentially dangerous and can result in fire or explosion causing personal injury and/or property damage.



HIGH VOLTAGE ELECTRICITY INSIDE THE MACHINE HAS A RISK OF ELECTRICAL SHOCK. Exposure can cause personal injury. Disconnect power before servicing the machine.

NEVER LEAVE THE MACHINE LIVE IF AN IMMEDIATE USE IS NOT SCHEDULED. Disconnect the electrical supply before a long period of inactivity or before internal maintenance is performed.

DO NOT MODIFY THE PRESSURE RELIEF VALVE OR CHANGE THE CONTROL SYSTEM SETTINGS. Using the machine in a manner for which it was not designed will compromise the machine and nullify the protections provided.

**Additional health and safety information can be obtained
from refrigerant and lubricant manufacturers.**

Safety Precautions

CAUTION : To prevent equipment damage,



TO PREVENT CROSS-CONTAMINATION, USE THIS MACHINE WITH R-134A REFRIGERANT ONLY.

The machine is equipped with special connectors to recover, recycle, and recharge only R-134a refrigerant. Do not attempt to adapt the machine for another refrigerant. Do not mix refrigerant types through a system or in the same container; mixing of refrigerants will cause severe damage to the machine and the vehicle air conditioning system.

DO NOT USE THIS MACHINE IN DIRECT SUNLIGHT. Position the machine far from heat sources, such as direct sunlight, which can cause excessive temperatures. The use of this machine under normal environmental conditions (10°C to 50°C) keeps pressures under reasonable limits.



DO NOT USE THIS MACHINE OUTDOORS DURING RAIN OR HIGH HUMIDITY. Protect the machine from conditions that can cause electrical failure or other hazards relating to ambient interaction.

DO NOT USE THIS MACHINE IN AREAS WHERE THERE IS A RISK OF EXPLOSION.

SET UP THE MACHINE ON AN EVEN SURFACE AND UNDER SUFFICIENT LIGHTING. LOCK THE FRONT WHEELS, AND DO NOT SUBJECT THE MACHINE TO VIBRATION.

TO AVOID CHEMICAL INCOMPATIBILITIES WITH THE INTERNAL COMPONENTS OF THE MACHINE, USE ONLY OILS APPROVED BY THE VEHICLE MANUFACTURER. Problems resulting from the use of non-approved oils will void the warranty.

**Additional health and safety information can be obtained
from refrigerant and lubricant manufacturers.**

Protective Devices

The machine is equipped with the following protective devices:

- Over pressure valves.
- A maximum pressure switch stops the compressor when excessive pressure is sensed.



WARNING: Tampering with these protective devices could result in serious injury.

Refrigerant Tank Test

Official records and recurring tests necessary for pressurized instruments are governed by laws and/or national regulations dependent upon the country where the refrigerant tank is used. The system manager is responsible for compliance with laws, regulations, and technical rules. During normal service, refrigerant tanks do not need maintenance. Refer to the Maintenance section of this manual for more information.

This machine is used on R-134a equipped vehicles and is designed to be compatible with existing service equipment and standard service procedures. This machine is a single-pass system (i.e. refrigerant flows through a filter once) that meets specifications for recycled refrigerant. Follow recommended service procedures for the containment of R-134a.

Note: Refrigerant systems require special oils. Refer to the A/C system manufacturer's service manual for oil specifications.

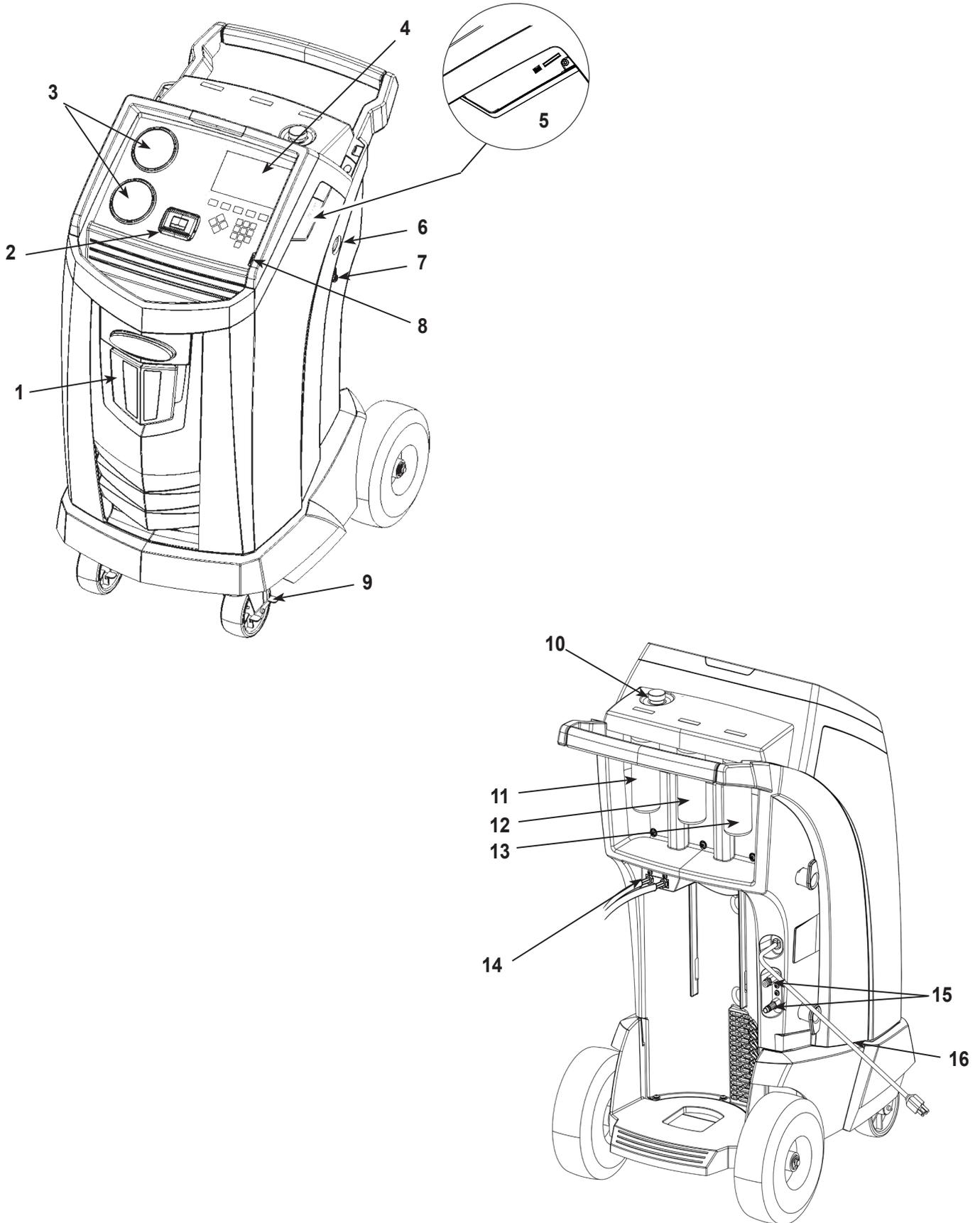


Technical Specifications

Dimensions	107 cm x 61 cm x 76 cm
Display	17.8 cm (7 in.) Graphical LCD
Filter	68 kg (150 lb)
Humidity	32.2°C (90°F), 80% RH non-condensing
Manometer	Ø 100 mm (3.9 in.)
Maximum Pressure	27 bar (390 PSI)
Noise	<70 dB(A)
Nominal Voltage	
34988NI	115V, 60 Hz
34988NI-230	230V, 50/60 Hz
Oil Bottle Capacity	355 ml (12 oz)
Operating Temperature	10°C to 50°C (50°F to 122°F)
Power Consumption	1380 VA
Vacuum Pump Free-Air Displacement	
	1.5 CFM (42 L/m) @ 60 Hz
	1.25 CFM (35 L/m) @ 50 Hz
Service Hoses	250 cm / SAE J2196
Tank Capacity	10 kg (22 lb)
Weight	73 kg (161 lb)

Introduction

Features

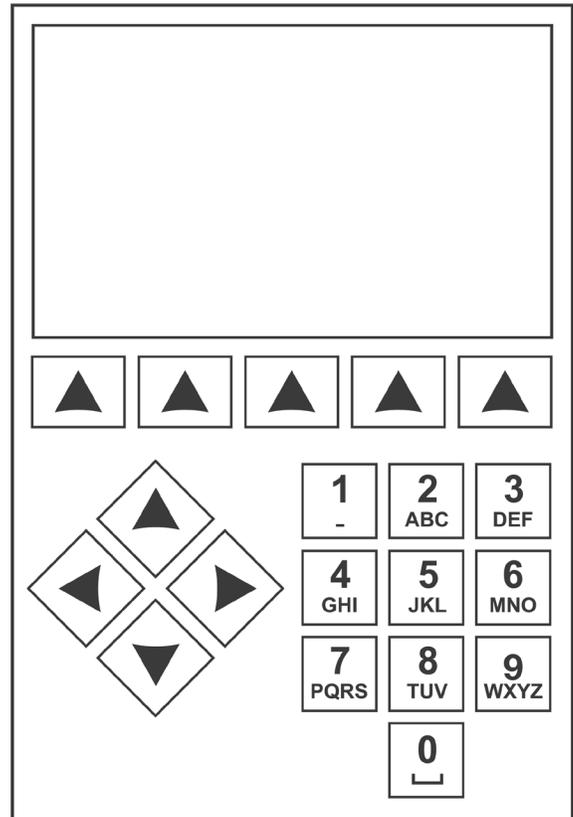


Item No.	Description
1	Oil Drain Bottle
2	Printer
3	Low-side (blue) and High-side (red) Manifold Gauges
4	Graphic Display and Keypad
5	USB and SD Card Connections (detailed view shown without protective cover)
6	Vacuum Pump Oil Sight Glass
7	Vacuum Pump Oil Drain Fitting
8	Power Switch
9	Wheel Lock
10	Vacuum Pump Oil Fill Cap and Port
11	Oil 1 Inject Bottle
12	Oil 2 Inject Bottle
13	UV Dye Inject Bottle
14	Service Hoses
15	Service Hose Storage Ports
16	Power Cord

Introduction

Control Panel Functions

- ARROW UP** highlights the previous item.
- ARROW DOWN** highlights the following item.
- ARROW RIGHT** scrolls to next screen.
- ARROW LEFT** scrolls to previous screen.
- SELECTION ARROWS** make a selection or answer a query.



Control Panel Keypad

Icon Legend



AUTOMATIC ICON

Pressing the key under this icon will enter the automatic refrigerant recovery, vacuum, and charge process.



RECOVER ICON

Pressing the key under this icon will enter the refrigerant recovery process.



VACUUM ICON

Pressing the key under this icon will enter the system vacuum process.



CHARGE ICON

Pressing the key under this icon will enter the refrigerant charge process.



NEXT/FORWARD ICON

Pressing the key under this icon will proceed to additional menu selection options, or proceed to an additional step in a function or process.



BACK ICON

Pressing the key under this icon will return to previously seen menu selection options, or return to the previous screen within a function or process.



HELP ICON

Pressing the key under this icon will provide help and information corresponding to the current screen and/or function being viewed or performed.



DATABASE ICON

Pressing the key under this icon will enter the vehicle database retrieval process.



SETUP MENU ICON

Pressing the key under this icon will enter the Setup Menu.



YES/ACCEPT ICON

Pressing the key under this icon will accept any choices made on the current screen and proceed to the next step of the function.



NO/CLOSE ICON

Pressing the key under this icon will reject any choices made on the current screen and return to the previous step of the function or the Main Menu.



RETRY ICON

Pressing the key under this icon will retry the current process or function.



CHARGE PATH SELECTION ICON

Pressing the key under this icon will toggle the desired path of refrigerant charge between high side, low side, and both side.



OIL INJECT BOTTLE SELECTION ICON

Pressing the key under this icon will toggle which bottle will be utilized to inject oil during the subsequent charge.



ON/OFF ICON

Pressing the key under this icon will toggle the highlighted function on or off as desired.



BACKSPACE ICON

Pressing the key under this icon will delete a text character to the left of the current selection.



PAUSE ICON

Pressing the key under this icon will pause the current process.



RESUME ICON

Pressing the key under this icon will resume a process that has been paused.



PRINT ICON

Pressing the key under this icon will print a summary corresponding to the current completed process.



DELETE ICON

Pressing the key under this icon will delete a selected entry from the memory of the machine.



CHANGE UNITS ICONS



Pressing the key under one of these icons will toggle the unit of measurement for the current entry field.

Introduction

Setup Menu Functions

Access the following functions by pressing the Menu key and selecting Setup.

Calibration Check

Use to verify internal scale calibration. Refer to Calibration Check in the Maintenance section of this user manual.

Edit Print Header

Programs information that will appear on the printout each time a print function is used.

Filter Maintenance

The filter removes acid, particulates, and moisture from the refrigerant. To meet requirements, it is mandatory to replace the filter after 68 kg (150 lb) of refrigerant has been filtered.

This menu item displays the filter capacity remaining until the machine locks down and no longer functions. Refer to Filter Maintenance in the Maintenance section.

Flush Hoses

Flushes residual oil from the machine's service hoses to prepare for service of next vehicle.

Production Menu

For Robinair production use only.

Pump Maintenance

Displays the amount of time remaining until the next vacuum pump oil change is needed. For maximum vacuum pump performance, change vacuum pump oil every time the filter is replaced. Refer to the Change Vacuum Pump Oil in the Maintenance section.

Refrigerant Management

Displays the amount of refrigerant recovered, charged, and replenished (for the life of the machine), and filtered since the last filter change.

Rename Oil Bottle

Default oil inject bottle designations are Oil 1 and Oil 2. This function allows the user to rename each bottle to specify oil type/viscosity.

Select Language

Select a language for screen prompts. English is the default language.

Service Menu

For Robinair service center use only.

Select Units

Program the machine to display units of measure in kilograms or pounds. The default display is kilograms.

Date and Time

Program the machine for current date and time.

System Flush

Provides a method of removing oil by forcing liquid refrigerant through an A/C system or components of an A/C system. After flushing, the refrigerant is recovered by the machine and filtered by the recycling circuit.

System Information

Displays the revision level of the software in the machine.

Tank Fill

Use this Setup Menu item to transfer refrigerant from a source tank to the ISV. The tank fill value may be adjusted up or down to suit the user's needs. Refer to Tank Fill in the Maintenance section.

Unit Activation

Failure to register and activate the machine within 30 days of initial startup will cause the machine to lock out and no longer function. Select this Setup Menu item and follow the prompts before the trial period expires.

View Service Data

Displays vehicle information that was entered into the Enter Service Data screen. Vehicles are displayed by date of service and VIN number. The database stores 25 VIN entries.

Hose Equalize

Use this Setup Menu item to recover refrigerant from the service hoses back into the vehicle A/C system. This item is useful after performing diagnostics which do not require the need to recover the A/C system into the RRR machine. The user will be prompted to connect the low side service hose to the appropriate port and to start the vehicle's A/C system on max.

Unpack the Machine

1. Remove the bandings from the box.
2. Remove the top carton infold, the molded pulp tray, and the angle boards.
3. Remove the sleeve from the bottom carton infold.
4. Gently roll the unit forward and off the pallet, avoiding any sudden shocks to the machine.

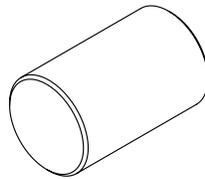


WARNING: To prevent personal injury while working with refrigerant, read and follow the instructions and warnings in this manual, and wear protective equipment such as goggles and gloves.

Unpack the Accessory Kit

Unpack the accessory kit from the box, and remove the plastic packaging.

Calibration Check
Weight
533 g (1.18 lb)



Pouch containing a warranty card to be filled out and mailed, SDSs, EPA information, MACS information, and a service center list.

Power Up the Machine

1. Unwind the power cord from the handle, and plug it into a correct voltage, grounded outlet.
2. Position the machine so the plug and the power switch are of easy access for the operator. Verify the fan vents on the rear of the machine are not obstructed.
3. Lock the front wheels.
4. Toggle the power switch on the control panel to turn the machine ON.

The machine launches into the initial Setup mode.

Initial Setup

Select Language

The operator selects the language for the screen prompt displays. English is the default language.

1. Use the **UP** or **DOWN** arrow key to toggle through the available languages one line at a time.
2. Select ✓ to set the selected language.

Note: To update an existing language or to add a new language, refer to Load Language in the Maintenance section of this manual.

Select Units

The operator sets the display for units of measure. Metric is the default.

3. Use the **ARROW UP** or **ARROW DOWN** key to toggle Imperial or Metric units.
4. Select ✓ to choose the displayed unit of measure.

Set Date and Time

Use the arrow keys to move the cursor. Use the keypad to modify the information displayed.

5. Use the **ARROW UP** and **ARROW DOWN** keys to select which item to change: day, month, year, or time. Select **I/O** to toggle between AM and PM.
6. Use the multi-tap interface on the numeric keypad to modify the information.
7. Select ✓ to save.

Edit Print Header

This machine has the capability to store recovery, vacuum, charge, and flush information for up to 25 vehicles. The information loaded into Edit Print Header will appear on each printout.

1. Enter text by using the arrows and the multi-tap interface on the numeric keypad:
 - **ARROW LEFT** and  key act as backspace key.
 - **ARROW RIGHT** moves the cursor to the right.
 - **0 (ZERO)** acts as a spacebar when pressed twice.
 - **ARROW UP** and **DOWN** navigate between the rows.
2. Select ✓ to save/exit the function; select ✕ to return to the previous header without saving data.

Service Vacuum

At this point the machine clears its internal plumbing before proceeding with setup.

1. Check the vacuum pump oil level sight glass and verify the oil level is at the center of the sight glass.
2. When prompted, connect the service hoses from the machine to their storage ports as shown in Figure 1. Select ►► to continue.
3. The machine enters a 5-minute vacuum and will automatically enter the next set-up process when complete.

Adjust Background Fill Target

This machine possesses a background tank fill feature. An external refrigerant storage vessel can be fluidly connected to the machine (using the black tank fill hose) for a continuous topping off of the internal storage vessel. Drawing from the refrigerant within the connected external storage vessel, the machine will periodically charge the ISV tank to the desired fill target.

Using the arrows and the numeric keypad, enter the desired fill target (default amount is 4.54 kg).

Tank Fill

This procedure transfers refrigerant from a source tank to the internal storage vessel (ISV) in the machine. The maximum capacity of the ISV is 10 kg (22 lb). Use arrow keys to move the cursor; use the keypad to enter a value.

1. The machine displays fields for desired tank fill amount, charge capacity, and the amount of recoverable refrigerant (recover capacity) within the internal storage vessel. Enter the desired tank fill amount.

Note: Add at least 3.6 kg of refrigerant to ensure enough is available for charging.

2. Connect the tank fill (black) hose to the liquid connector on the source tank.
3. Open the source tank valve.
4. Position the source tank in such a way that liquid refrigerant is supplied to the connection.



WARNING: To prevent personal injury while working with refrigerant, read and follow the instructions and warnings in this manual, and wear protective equipment such as goggles and gloves.

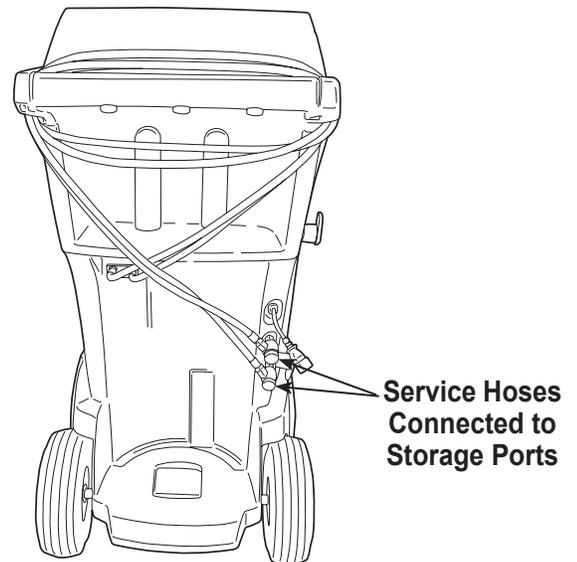


Figure 1

Note:

Charge Capacity: The amount of refrigerant in the ISV that can be charged into a vehicle A/C system.

Recover Capacity: The amount of additional refrigerant that could be recovered into the ISV.

Initial Setup

5. Select ✓ to start the tank fill process. The machine begins filling the internal storage vessel (ISV). Add at least 3.6 kg of refrigerant to ensure enough is available for charging. This process takes 15–20 minutes.
6. The machine stops when the designated amount of refrigerant has been transferred to the ISV or when the source tank is empty. Follow the messages on the display screen.
7. Close the source tank valve.
8. Select ✓ to return to the Setup Menu.

The machine is ready for operation.

Note:

- *There is no need to calibrate the scale; it is calibrated at the factory.*
- *After the tank fill process is complete, the display does not show the same amount as the programmed fill level.*

The display shows the amount of refrigerant that is available for charging, which is approximately 0.67 kg (1.4 lb) less than the total amount of refrigerant in the tank.

Unit Activation

Failure to register and activate the machine within 30 days of initial startup will cause the machine to lock out and no longer function.

1. Select Unit Activation from the Setup Menu. The machine displays

XX Days Left on Trial
Period to activate unit.
Activate Now?

2. Select to start the activation process. The machine displays

Product Activation

Personal product code:
XXXXXXXXXXXX

Enter code:
XXXXXXXXXXXX

3. Open a web browser on a personal computer and enter <https://register.servicesolutionsportal.com>.
4. Enter the user name and password, and log in to the website.
Note: If a first-time user, select REGISTER to create a user name and password.
5. On the personal computer, enter the Personal Product Code of the machine into the Product Activation key box on the website to receive an activation code.
6. On the machine, enter the activation code into the correct field. Note: Enter the code exactly as received. Capitalization is required.
7. Record the activation code on a piece of paper and file it in a secure place. Select .
8. The machine displays

Activation successful.

Select **▶▶**. The machine has been activated.

Operating Instructions

Enter Service Data

After selecting any service function, information about the vehicle may be entered into and stored in the machine's database.

The machine displays

Enter service data new

1. Select ✓ to enter a new record, or scroll to select a previously serviced vehicle and then select ✓. The highlighted selection will be in red. The machine displays

Enter service data

VIN: _____

Mileage: _____

Make: _____

Model: _____

2. Use the arrow keys to move between rows and the multi-tap keypad to enter text.

Information entered on this screen is stored by date and vehicle identification number (VIN). The database stores the latest 25 entries, with the most recent at the top of the list.

The information will also appear on service summary printouts.



Recover Refrigerant from a Vehicle

1. Empty the oil drain bottle before starting a recovery. Remove the oil drain bottle from the machine by pulling the bottle straight down—do not use a twisting or rocking motion. Reinstall the oil drain bottle. Refer to Figure 2.

Note: Use caution when removing/installing oil drain bottle. Excessive force may damage internal load cell.

2. Connect the high-side (red) and low-side (blue) service hoses to the vehicle A/C system.
3. Open the coupler valves on the hoses by turning the collars clockwise.
4. Select **RECOVER**  from the **MAIN MENU**.
5. The machine will enter the service data entry form. Enter all applicable data and select to continue.
6. The machine will ask whether to record diagnostic pressures. Select to continue recovery process or select to record operating pressures of the vehicle's AC system. Follow on-screen prompts and vehicle's service manual specifications to continue.

The machine begins the recovery process. A clicking noise indicates the solenoid is opening and closing — this is normal.

The machine runs a self-clearing cycle to clear any internal refrigerant from its internal plumbing.

System recovery begins and includes a timed vacuum, deep recovery process.

After recovery, the machine will perform an oil drain, which may require up to 90 seconds to complete.

7. After the oil drain is complete, a summary is displayed showing the total amount of refrigerant and oil recovered. Recovery information and pre-recover diagnostics can be printed by selecting . Select **▶▶** to return to the Main Menu.

Note: The displayed recovered weight can vary depending on ambient conditions and should not be used as an indicator of scale accuracy.



WARNING: To prevent personal injury while working with refrigerant, read and follow the instructions and warnings in this manual, and wear protective equipment such as goggles and gloves.

Note: The amount of oil that was removed from the A/C system is the amount of new oil that should be charged into the A/C system after evacuation is complete.

- Use only **new** oil to replace the oil removed during the recycling process.
- Dispose of used oil according to government regulations.

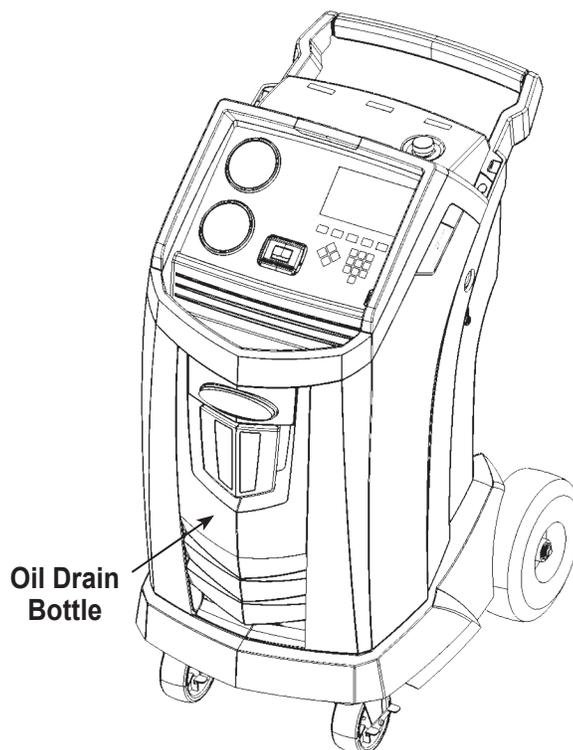


Figure 2

Operating Instructions



Evacuate the Vehicle A/C System

1. Connect the service hoses to the vehicle's service ports.
2. Open the service hose coupler valves by turning the collars clockwise.
3. Select **VACUUM**  from the **MAIN MENU**.
4. Select Vacuum Leak Check, if desired, to automatically perform a 5-minute pressure rise leak check after the vacuum.
5. Select  to accept the 10-minute default evacuation time, or enter a desired vacuum time using the number keys.

Note: The vacuum process will halt if pressure rises above .35 bar (5 psi). Recover refrigerant before proceeding.

The machine pulls a vacuum on the A/C system for the programmed amount of time.

The machine stops when the specified amount of time has elapsed.

6. To print vacuum information, select .
7. Select  to return to the Main Menu.



WARNING: To prevent personal injury while working with refrigerant, read and follow the instructions and warnings in this manual, and wear protective equipment such as goggles and gloves.

Flushing the Hoses

If the next vehicle to be serviced contains a different type of oil than the previous vehicle serviced, it is recommended the service hoses be flushed of residual oil to prevent contamination.

1. Select **FLUSH HOSES** from the **SETUP MENU**. The machine displays

Connect hoses to storage ports
and open coupler valves.

2. Connect the service hoses to the machine's storage port connections as shown in Figure 3.
3. Open the service hose coupler valves by turning the collars clockwise.
4. Select to begin the hose flush process, which runs for three minutes, followed by a recovery.

When the hose flushing process is complete, the display reads

FLUSH HOSES
Complete

5. Select **▶▶** to return to the Setup Menu.
6. Close the coupler valves by turning the collars counterclockwise.

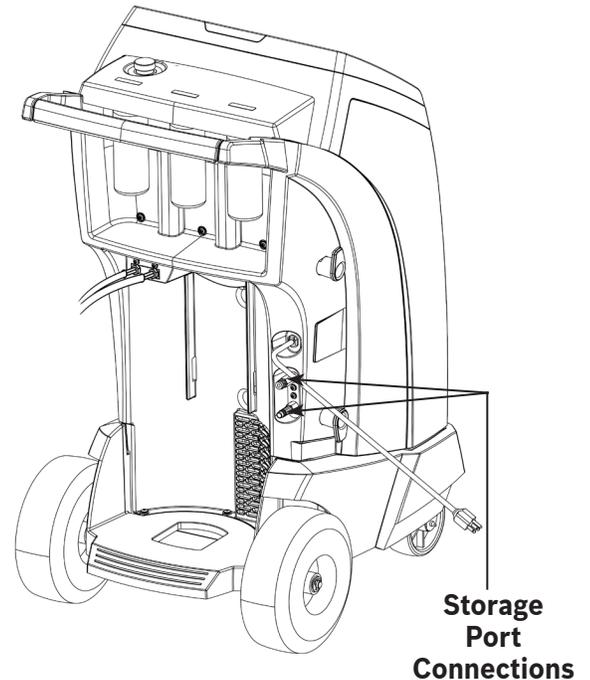


Figure 3

Operating Instructions



Recharge the Vehicle A/C System

1. Connect both service hoses to the vehicle's service ports.
2. Select **CHARGE**  from the **MAIN MENU**.
3. The user will be prompted to enter service data. Select  once complete to continue. The display shows

Charge: XX.XXX kg	on High Side
Oil Amount: XXX ml	Bottle: XX
Dye Inject: Y/N	
Min Charge quantity 10g	

4. Use the arrow keys and the numeric keypad to enter the desired charge amount. Select **kg|lbs|oz** to change units.
5. Using the arrow keys, maneuver to the charge path selection. High Side is default. To change, select **HSL** on the control panel. This will allow the user to toggle between high, low, and both side charge paths. The current selection is indicated on the display.
6. Oil can also be injected into the system during the charge. Use the numeric keypad to enter the desired oil inject amount. Select **ml|oz** to change units. If desired, select **Y** for Dye Inject. This will add approximately 7 mL (0.25 oz) of UV dye to the charge. Make sure there is available oil in the oil/dye inject bottle located on the rear of the machine.
7. Select  to start the charge process. Moving or bumping the machine at this point may result in an inaccurate charge. When the charge cycle gets close to the desired weight value, the machine slows down. It will charge, settle, charge again, settle, etc.
8. When prompted, select  to perform hose equalization. Select  to perform hose compensation.

Note: Hose equalization requires the user to start the vehicle. Hose compensation adds a preset amount of refrigerant to the chart to compensate for service hose volume.

9. When the **CHARGE COMPLETE** screen appears, it includes a summary of charge results. Select  to print the summary. Select  to proceed to clear the service hoses.
10. The user will be prompted to close the coupler valves and disconnect the hoses from the vehicle. Select  to recover any remaining refrigerant from the hoses. Once the hose clear is complete, the machine will return to the Main Menu.

The vehicle A/C system is now ready for use.



WARNING: To prevent personal injury while working with refrigerant, read and follow the instructions and warnings in this manual, and wear protective equipment such as goggles and gloves.

Note: The charging process differs from vehicle to vehicle. Charge function for vehicles equipped with a single-service fitting should be carried out manually. Refer to the vehicle service manual for specific instructions.

CAUTION: If the low-side (blue) or high-side (red) coupler valve is left open during the hose clearing process, the system will pull refrigerant back out of the vehicle.



Automatic Function

The **AUTOMATIC** function allows a user to perform an automatic recovery, vacuum, leak test, and/or charge sequence. A total automatic sequence may take up to an hour to complete.

1. Connect high-side (red) and low-side (blue) service hoses to the A/C system.
2. Open the service hose coupler valves by turning the collars clockwise.
3. Select **AUTOMATIC**  from the **MAIN MENU**. The display shows:

Vacuum Time: XX:XX
Vacuum Leak Test: ON
Charge: XX.XXX kg on High Side
Additional Oil: XXX ml Bottle: XX
Dye Inject: Y/N
Min Vacuum time is 1 sec

4. Use the numeric keypad to enter the desired length of vacuum.
5. Using the arrow keys, maneuver downwards to choose whether to perform a vacuum leak test or not. ON is the default setting. To toggle, select **I/O** on the control panel.
6. Using the downwards arrow key, maneuver to the “charge amount” entry field. Use the arrow keys and numeric keypad to enter the desired charge amount. Select **kg|lbs|oz** to change units.
7. Using the arrow keys, maneuver to the “charge path selection.” High Side is default. To change, select **H|S|L** on the control panel. This will allow the user to toggle between high, low, and both side charge paths. The text on the display will change to the current selection.
8. Using the arrow keys, maneuver to the “additional oil” entry field. Use the numeric keypad to enter the desired additional oil inject amount. Select **m|oz** to change units. If desired, select **Y** for Dye Inject. This will add approximately 7 mL (0.25 oz) of UV dye to the charge. Make sure there is available oil in the oil/dye inject bottle located on the rear of the machine.

Note: Additional oil amount specified is in addition to the amount recovered. If no additional oil is specified, the machine will inject the same amount of oil as was recovered (automatic mode only).

9. Select  to begin the **AUTOMATIC** cycle. The unit will now automatically proceed through all applicable functions: **RECOVER**, **VACUUM**, and **CHARGE**. If the vehicle being serviced has previously undergone a recover and vacuum procedure, the machine will only perform a **CHARGE**.
10. When the **AUTOMATIC COMPLETE** screen appears, it includes a summary of results. Select  to print the summary. Select  to proceed.
11. The user will be prompted to close the coupler valves and disconnect the hoses from the vehicle. Select  to recover any remaining refrigerant from the hoses. Once the clear is complete, the machine will return to the Main Menu.

The vehicle A/C system is now ready to use.

Notes:

- The **CHARGE** function for vehicles equipped with a single-service fitting should be carried out manually according to procedures in the vehicle manufacturer's service manual.
- If **RECOVER** was not performed, the amount of oil to be injected may be entered while programming the **CHARGE** information.
- If problems are encountered during the automatic sequence, an audio alert sounds three times. The sequence remains paused until the user enters a decision regarding how to proceed.

Operating Instructions

System Flush

The **SYSTEM FLUSH** function is performed using a vehicle manufacturer-approved flushing adapter. Refer to the instructions included with the adapter while the following steps are performed.

1. Verify the flusher filter and strainer are not plugged.
2. Mount the flusher to the rear of the machine.
3. Remove the oil drain bottle (see Figure 4) from the Robinair machine. Drain the oil bottle, and dispose of the oil according to applicable regulations. Reinstall the oil drain bottle on the machine.
4. Recover all refrigerant from system to be flushed.
5. Note the amount of oil collected during recovery. This amount must be replaced, as well as any oil collected during flush.

Note: The amount of oil collected and reported during system flush does not include the amount of oil collected during the initial recovery.

6. Verify there are at least 6.0 kg (13.2 lb) of refrigerant in the machine. The machine will not be able to complete a system flush without at least 6.0 kg of refrigerant in the ISV.

Note: If the machine does not have at least 6.0 kg (13.2 lb) of refrigerant on-board, see the section of this manual titled Tank Fill.

7. Disconnect the machine from the vehicle.
8. Refer to the vehicle service manual, and connect the appropriate flushing adapters and bypasses.
9. Connect the low-side (blue) service hose directly to the filter of the flushing kit.
10. Remove the high-side (red) service coupler, and connect the high-side (red) service hose to the system suction line adapter.
11. Use the supplied hose to connect the system discharge adapter to the flusher inlet.
12. Connect hoses according to the instructions included with the flush kit.



WARNING: To prevent personal injury while working with refrigerant, read and follow the instructions and warnings in this manual, and wear protective equipment such as goggles and gloves.

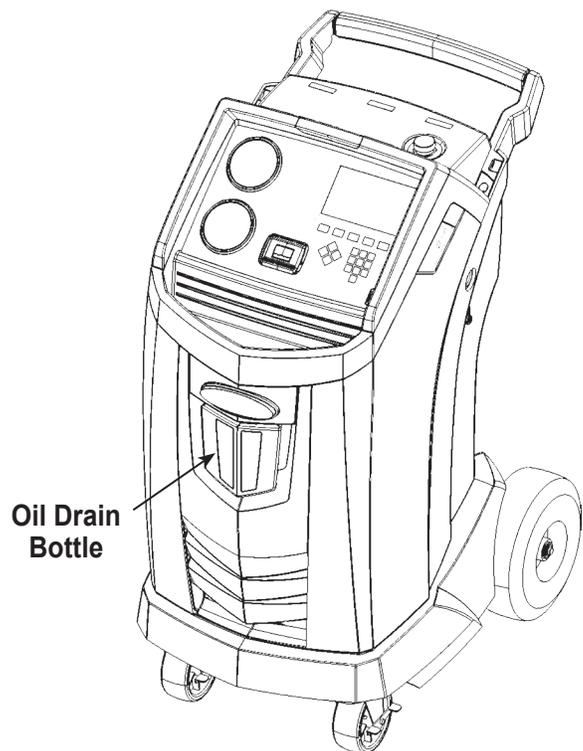


Figure 4

Operating Instructions

13. Select **SYSTEM FLUSH** from the **SETUP MENU**. The unit will prompt for any service data entry, if desired. Select ✓ to continue to the system flushing process. The user may be prompted to enter in a total Flush Time depending upon which flush process is enabled.

The machine will then automatically enter the **VACUUM** process and proceed to a leak test.

Once the vacuum and leak tests are completed, the unit will enter the actual system flushing process, followed by an oil drain.

14. When the Flush Complete screen appears, it includes a system flush result summary. Select  to print the summary. Select ►► to return to the **SETUP MENU**.

The vehicle A/C system has been flushed.

 **WARNING:** Do NOT disconnect service couplers during the flushing process. Refrigerant could spray out of the fittings, and exposure may cause personal injury.

CAUTION: The flushing kit has a replaceable filter as well as a debris strainer, both of which can get plugged. At the end of the flush cycle, check the high-side (red) gauge for system pressure, and check the adapter for complete removal of refrigerant.

If pressure exists or refrigerant remains, exit the flushing cycle and enter the recovery mode to recover refrigerant through both the high-side (red) and low-side (blue) hoses. Then service the filters and repeat the flush process.

Maintenance

Maintenance Schedule

Maintenance Task	Recommended Interval
Change filter	After 68 kg (150 lb) of refrigerant has been filtered. Refer to Filter Maintenance in the Maintenance section of this manual.
Change vacuum pump oil	When the filter is replaced. Refer to Change Vacuum Pump Oil in the Maintenance section of this manual.
Check casters and wheels for ease of operation	Monthly.
Check internal scale calibration	Monthly. Refer to Calibration Check in the Maintenance section of this manual.
Check machine for leaks	Monthly. Check hoses and connections for leakage. Disconnect power, remove the shroud, and use an electronic leak detector to check fittings.
Clean airflow outlet panel (see Figure 5)	Monthly. Use a clean cloth.
Clean cabinet and control panel	Monthly. Use a clean cloth.
Inspect power cord and hoses for cuts and abrasions	Daily.
Lubricate wheel bearings and inspect brake components	Monthly.
Pressure Test	Every 10 years. Performed by an authorized Robinair service center.

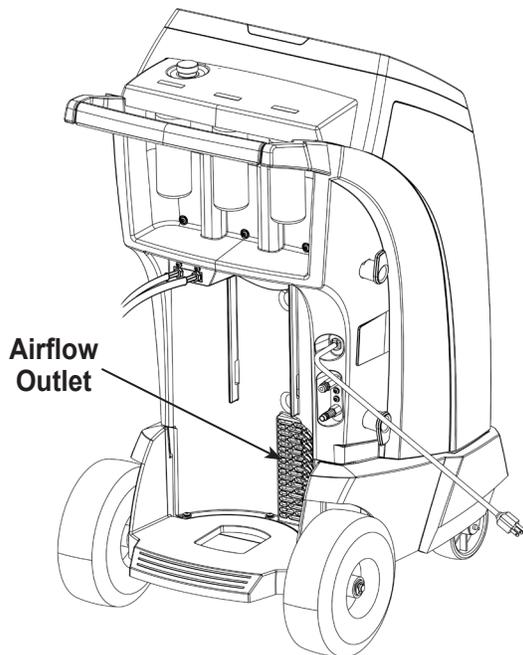


Figure 5





WARNING: To prevent personal injury only qualified personnel may perform inspections and repairs to this machine. Read and follow instructions and warnings in this manual, and wear protective equipment such as goggles and gloves.

Load Language

Use the following instructions to add or update a language from an SD card.

1. Choose **SELECT LANGUAGE** from the **SETUP MENU**.
2. Use the arrow keys to scroll to **LOAD NEW**. Select ✓.
3. Insert the SD card containing the language data into the side panel on the machine. See Figure 6.
4. Follow the prompts to select the language to load or update. If loading a new language, it will be necessary to select which language to replace.

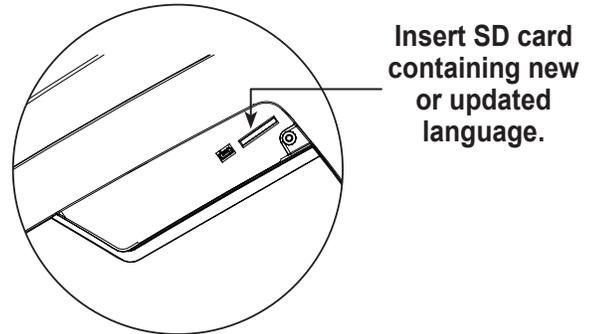


Figure 6

Maintenance

Adjust Background Fill Target

This machine possesses a background tank fill feature. An external refrigerant storage vessel can be fluidly connected to the machine (using the black tank fill hose) for a continuous topping off of the internal storage vessel. Drawing from the refrigerant within the connected external storage vessel, the machine will periodically charge the ISV tank to the desired fill target.

1. To choose the background refrigerant fill target of the machine, select **ADJUST BACKGROUND FILL TARGET** in the **SETUP MENU**.
2. Using the arrows and the numeric keypad, enter the desired fill target. Select ✓ to save the new value and exit. Select ✗ to exit and continue to use the previously entered amount.

Tank Fill

This menu item is used to transfer refrigerant from a source tank to the ISV.

The maximum capacity of the internal storage vessel (ISV) is 10 kg. Use the arrow keys to move the cursor; use the keypad to enter a value. Note: Add at least 3.6 kg of refrigerant to ensure enough is available for charging.

1. Connect the tank fill (black) hose to the liquid connector on a full source tank.
2. Position the source tank in such a way that liquid refrigerant is supplied to the connection. Open the source tank valve.
3. Select **TANK FILL** from the **SETUP MENU**. The machine displays

Tank Fill
Fill Amount: XX.XYY
Charge Capacity: XX.XXYY
Recover Capacity: XX.XXYY

4. Enter the quantity to recover, and select ✓. Add at least 3.6 kg of refrigerant to ensure enough is available for charging.
5. The machine begins filling the ISV and automatically stops when the preset tank fill level is reached. To stop the tank fill before the preset level is reached, select ✓. An option to exit will appear on the display.
6. Once complete, remove the hose from the source tank.



WARNING: To prevent personal injury while working with refrigerant, read and follow the instructions and warnings in this manual, and wear protective equipment such as goggles and gloves.

Filter Maintenance

The filter is designed to trap acid and particulates, and to remove moisture from refrigerant. To meet the mandate for adequate moisture and contaminant removal, the filter must be replaced after 68 kg (150 lb) of refrigerant has been filtered.

The machine gives a warning when 57 kg (125 lb) of the filter capacity has been used; the machine locks down when the 68 kg (150 lb) filter capacity has been reached and will no longer function.

Check Remaining Filter Capacity

1. Select **FILTER MAINTENANCE** from the **SETUP MENU** or when the machine prompts. The machine displays

Remaining Filter Capacity: XXX.XO kg
Replace filter now?

The machine displays the amount of filter capacity remaining until the machine locks down.

2. Select to change the filter; select to resume using the machine.

⚠ WARNING: The components in the machine are under high pressure. To prevent personal injury, change the filter only when the machine prompts.

Caution: To prevent equipment damage, use only authentic Robinair No. 34724 filters in this machine. All performance tests and claims are based on using this specific filter.

Maintenance

Replace the Filter

1. If ✓ was selected to change the filter, the machine prompts for the new filter code to be entered.

Enter new filter serial number

Use the keypad to enter the serial number that appears on the new filter, and select ✓ to continue.

Note: If "Invalid serial number" is displayed, the serial number has been incorrectly entered, or the filter has already been used in this machine.

2. The machine clears the existing filter and displays:

Serial number accepted.

Turn power off and replace filter.

Turn off the machine. Remove the oil bottle. Remove the four screws holding the shroud. See Figure 7.

3. Hang the shroud on the back of the machine as shown in Figure 8.
4. Remove the filter by turning it counterclockwise (as viewed from the bottom of the filter).
5. Look at the new filter. Verify both o-rings are lubricated and correctly located in the grooves.
6. Install the new filter by threading it clockwise into place. Verify the filter is positioned correctly as shown in Figure 8. Tighten the filter to 20 Nm.
7. Power the machine on. The Change Vacuum Pump Oil operation will begin, and the screen will display

Warming oil for drain XX:XX

See "Change Vacuum Pump Oil" on page 30 for more information.

The machine will then begin the Leak Check operation. See "Leak Check" on page 31 for more information.

Caution: To prevent equipment damage, use only authentic Robinair No. 34724 filters in this machine. All performance tests and claims are based on using this specific filter.

Remove the four screws holding the shroud.

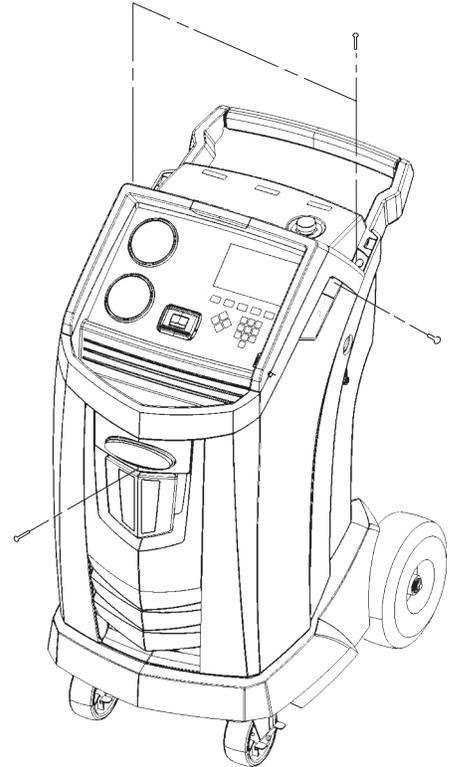


Figure 7

Hang Shroud Here

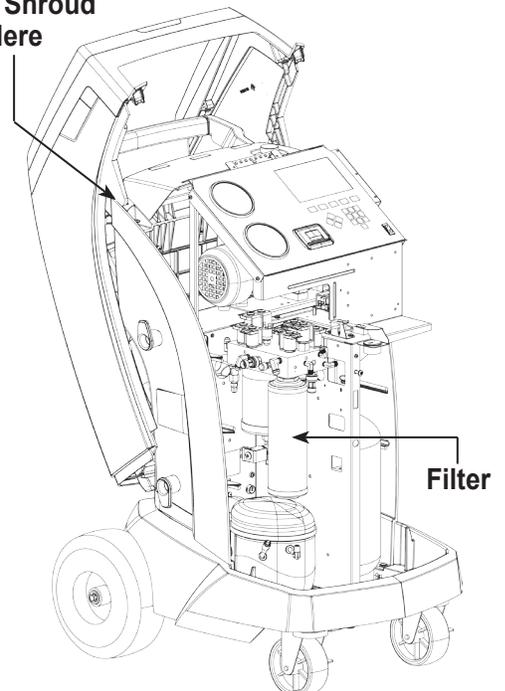


Figure 8

Calibration Check

This function is used to ensure the machine's internal scale is always calibrated. During this test, use only the calibration weight that is provided with the machine.

1. Refer to Figure 9, and verify the magnet on the bottom of the machine is clean.
2. Select **CALIBRATION CHECK** from the **SETUP MENU**.
The machine displays

Place calibration weight on magnet located on the bottom of the unit

3. Attach the calibration weight to the magnet on the bottom of the machine. Select ✓ to continue.
4. The machine displays

Remove calibration weight from magnet located on the bottom of the unit

Remove the calibration weight from the magnet. Select ✓ to continue.

- If the display shows

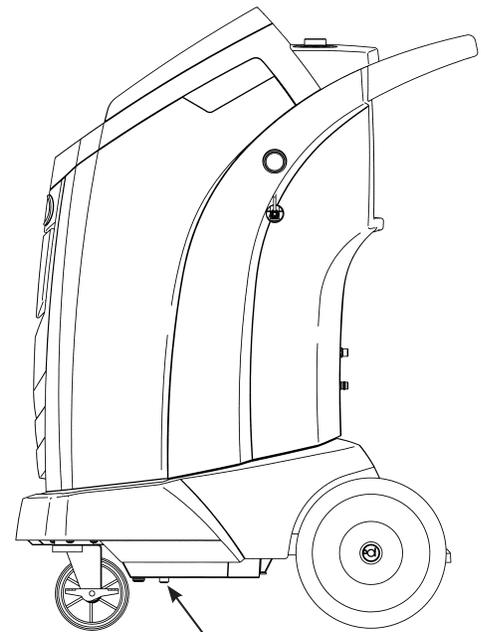
Calibration check passed

the scale is in calibration. Select ►► to return to the Setup Menu.

- If the display shows

Calibration check failed. Retry?

the scale is out of calibration. To retry, select ↺. If calibration continues to fail, contact an authorized Robinair service center for assistance.



Magnet

Figure 9

Maintenance

Change Vacuum Pump Oil

1. Select **PUMP MAINTENANCE** from the **SETUP MENU** or when prompted. The display shows how long the vacuum pump has operated since the last oil change.

Oil life remaining
XXX:XX (hhh:mm)
Change oil now?

2. Select to change vacuum pump oil. If the machine displays

Warming oil for drain
XX:XX

allow the vacuum pump to run for two minutes to warm up the oil. If the oil is already warm, the display shows

Drain used oil from pump
and replace with 150 ml of new oil
Remove fill cap to speed draining of oil

3. Slowly open the oil fill cap to verify there is no pressure in the machine. Then carefully remove the cap. See Figure 10.
4. Remove the oil drain fitting cap and drain the oil into a suitable container for disposal. Replace the cap and close tightly. Select **▶▶** to continue.
5. The machine displays

Fill vacuum pump to the center
of the sight glass
Reinstall fill cap

Slowly add vacuum pump oil to the pump through the oil fill port until the oil reaches the center of the sight glass. Install the cap on the oil fill port and close tightly. Select **▶▶** to return to the **SETUP MENU**.

Note: For proper oil level, ensure the machine is on a flat, level surface.

⚠ WARNING: To prevent personal injury, do **NOT** operate the machine at any other time without the oil fill port cap installed, because the vacuum pump is pressurized during normal operation.

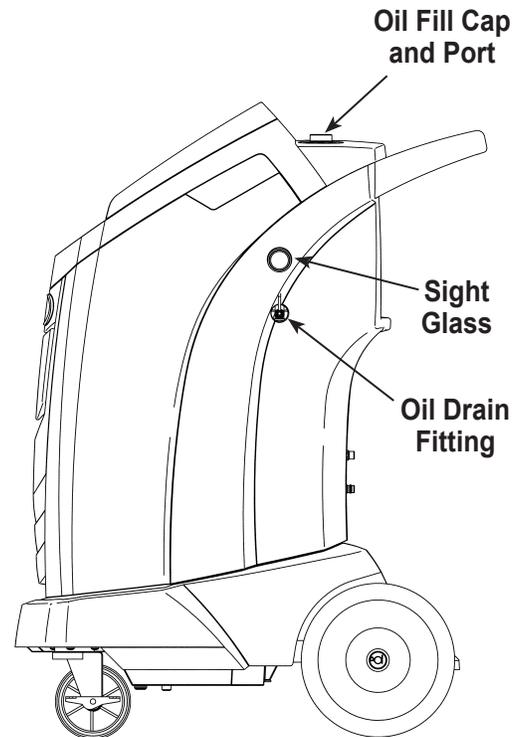


Figure 10

CAUTION: It is the responsibility of the user to monitor vacuum pump oil level and clarity. If contaminated oil is not removed from the vacuum pump and replaced, the vacuum pump will be permanently damaged.

Leak Check

A leak test may be performed on the machine at any time. During this test, components containing refrigerant are pressurized and monitored for pressure decay, which could indicate a leak.

1. Select **LEAK CHECK** from the **SETUP MENU**. The machine displays

Connect service hoses to storage ports and open coupler valves

2. Connect the service hose couplers to the storage ports at the rear of the machine. Open the couplers by turning the collars clockwise.
3. Select ✓ to start. The machine performs a self-recovery and displays

Recover in progress

The machine performs a 30-second vacuum test and displays

Vacuum leak check in progress

If the vacuum test fails, the machine will prompt to check for leaks.

Once the machine passes the vacuum test, a controlled pressure is applied to its internal components. The machine displays

Pressure leak check in progress

Pressure is held for five minutes and monitored for decay. Minutes and seconds count down on the display.

- If an acceptable pressure decay is detected, the machine recovers refrigerant and returns to the Setup Menu, ready for normal operation.
- If an unacceptable pressure decay is detected, the machine will prompt to check for leaks. Take the machine to an authorized Robinair service center for repair.



WARNING: To prevent personal injury while working with refrigerant, read and follow the instructions and warnings in this manual, and wear protective equipment such as goggles and gloves.

⚠ WARNING: To prevent personal injury should the machine require transport to a local Robinair service center, follow local government regulations regarding transportation of equipment containing R-134a.

Maintenance

Edit Print Header

To make changes to text that appears in this screen:

1. Select **EDIT PRINT HEADER** from the **SETUP MENU**.
2. The cursor is in the first field. Update the text by using the arrows and the multi-tap interface on the numeric keypad:
 - **ARROW LEFT** and **X** act as a backspace key.
 - **ARROW RIGHT** moves the cursor to the right.
 - **ZERO (0)** key acts as a spacebar.
 - **ARROW UP** and **DOWN** navigate between the rows.
3. Select **✓** to save the changes and return to the Setup Menu; select **X** to return to the previous header and exit to the Setup Menu.

Replace Printer Paper

To install a new paper roll in the printer:

1. Remove the cover on the printer by pulling out on the tab as shown in Figure 11.
2. Remove the paper core.
3. Install the new roll of paper with the end of the paper at the top of the roll.
4. Assemble the cover onto the printer with the leading edge of the paper over the roller.

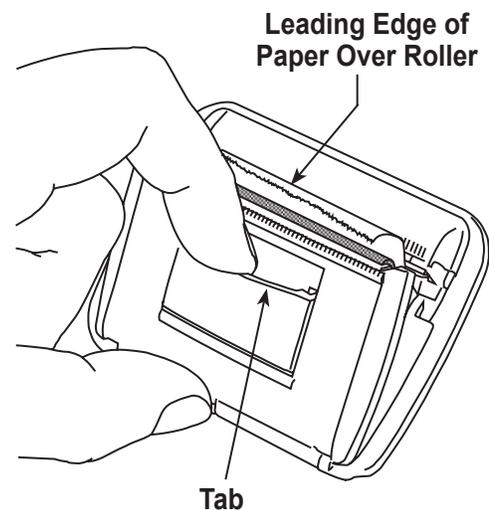


Figure 11

Replacement Parts

Component	Replacement Part No.
Calibration Weight	16214
Filter	34724
Oil Drain Bottle	19100
Oil/Dye Inject Bottle	19103
Printer	30038
Printer Paper (3 rolls)	34214
LP Service Coupler	18190A
HP Service Coupler	18191A
Service Coupler Set (high-side [red] and low-side [blue] couplers)	18192
Hose Set without Couplers (high-side [red] and low-side [blue])	71789
Service Hose without Coupler (low-side, blue)	70020
Service Hose without Coupler (high-side, red)	70021
Vacuum Pump Oil (pint)	13119
Vacuum Pump Oil (quart)	13203
Vacuum Pump Oil (gallon)	13204
Vinyl Dust Cover (optional)	17499

⚠ WARNING: To prevent personal injury, use only those repair parts called out in this parts list. Items found in this parts list have been carefully tested and selected by Robinair.

Glossary

A/C System : The vehicle air conditioning system being serviced.

Evacuation : Moisture and other non-condensables are removed from an A/C system by a vacuum pump.

Internal Storage Vessel (ISV) : The refillable refrigerant storage tank designed specifically for this machine; 10 kg (22 lb) capacity.

Leak Test (Vacuum) : Components containing refrigerant are evacuated and monitored for pressure rise, which could indicate a leak.

Machine : Model No. 34988NI.

Leak Check : Components containing refrigerant are pressurized and monitored for pressure decay, which could indicate a leak.

Recovery / Recycling : Refrigerant is recovered from an A/C system, filtered, and stored in the ISV.

Refrigerant : R-134a.

Troubleshooting

Display	Cause	Solution
CALIBRATION CHECK FAILED	Internal scale is out of calibration.	Select  to retry calibration check. If calibration continues to fail, exit current test and contact a Robinair authorized service center for repair.
CHARGE STALLED! CHECK CONNECTIONS AND VALVES	Refrigerant is stalled in the ISV or the machine.	Verify connections are secure and valves are in correct position.
DATABASE NOT INSTALLED	Machine is not shipped with database installed.	Contact a Robinair authorized service center for more information.
EXCESS TANK WEIGHT	Overfill safety circuit tripped. Machine is locked out because of too much refrigerant in ISV.	Contact a Robinair authorized service center for more information.
FILTER EXHAUSTED FILTER WEIGHT XXX.XYY REPLACE FILTER NOW?	68 kg (150 lb) or more refrigerant has been recovered since last filter change.	Refer to Filter Maintenance section of this manual for instructions to change filter.
HIGH PRESSURE IN ISV	Machine is locked out because pressure in ISV is too high, possibly because of excessively high tank temperature.	Allow machine to cool before performing additional A/C service. If problem continues, contact a Robinair authorized service center for more information.
IDENTIFY REFRIGERANT PURITY TEST FAILED	Refrigerant tested is not R-134a or it is contaminated.	Do not recover contaminated refrigerant into the machine; use an external refrigerant recovery machine dedicated to contaminated refrigerant.
INLET PRESSURE IS TOO HIGH FOR VACUUM	Before the machine begins evacuating the A/C system, it checks for pressure in the system that could damage the vacuum pump. In this case, system pressure is above 0.35 bar gauge.	Select  . Refer to Recover section of this manual to recover refrigerant before proceeding.
INSUFFICIENT OIL AMOUNT TO INJECT	Oil inject bottle selected may not contain enough oil to complete the injection.	Fill bottle, re-enter oil amount, or continue charge without oil inject.

Troubleshooting

Display	Cause	Solution
INSUFFICIENT REFRIGERANT. 6.00 KG REQUIRED FOR SYSTEM FLUSH	Not enough refrigerant in the ISV to perform a system flush.	<i>Refer to Tank Fill in Maintenance section of this manual.</i>
INSUFFICIENT REFRIGERANT AVAILABLE FOR CHARGE SELECTED: XX.XXYY AVAILABLE: XX.XXYY	After a desired weight is entered, if the charge process will leave less than 0.67 kg (1.4 lb) of refrigerant in ISV, the charge function will not start.	<i>Refer to Tank Fill in the Maintenance section of this manual.</i>
INVALID CODE	Activation code entered into the machine is not correct.	<i>Verify activation code is entered exactly as received. Capitalization is required.</i>
INVALID SERIAL NUMBER!	Filter serial number entered into the machine is not correct.	<i>Verify serial number entered matches serial number on filter. Verify filter has not been used on machine previously.</i>
LEAK TEST FAILED	A leak in the vehicle A/C system.	<i>Exit current test and perform repairs on vehicle A/C system.</i>
NO PRESSURE ON INLETS CHECK CONNECTIONS RECOVER ANYWAY?	System pressure is below 0.35 bar gauge.	<i>Verify high-side (red) and low-side (blue) hoses are connected and coupler valves open. Select  to RECOVER; select  to bypass recover and proceed to VACUUM.</i>
OIL DRAIN HALTED	Accumulator pressure failed to rise above 1.10 bar within the minute before an oil drain was supposed to occur.	<i>Adequate pressure is required within the accumulator to force the oil, which has been separated from the refrigerant, out of the system. Select  to retry; select  to exit.</i>
OIL LIFE REMAINING XX:XXX CHANGE OIL NOW?	Display shows vacuum pump oil life remaining until machine locks down.	<i>Refer to Maintenance section of this manual for instructions to change vacuum pump oil.</i>
OUT OF RANGE ACCUMULATOR PRESSURE	Accumulator pressure transducer is not reading pressure correctly.	<i>Exit current test and contact a Robinair authorized service center for more information.</i>

Troubleshooting

Display	Cause	Solution
OUT OF RANGE ISV PRESSURE	Internal storage vessel pressure transducer is not reading pressure correctly.	<i>Exit current test and contact a Robinair authorized service center for more information.</i>
OUT OF RANGE ISV TEMPERATURE	Internal storage vessel temperature sensor is not reading temperature correctly.	<i>Exit current test and contact a Robinair authorized service center for more information.</i>
OUT OF RANGE LOW SIDE PRESSURE	Low-side pressure transducer is not reading pressure correctly.	<i>Exit current test and contact a Robinair authorized service center for more information.</i>
POWER BOARD COMMUNICATION FAILED	Failed communication with relay board.	<i>Cycle power. If problem continues, contact a Robinair authorized service center for more information.</i>
PRESSURE TEST FAILED CHECK FOR LEAKS	A leak in vehicle A/C system.	<i>Exit current test and perform repairs on vehicle A/C system.</i>
SERIAL NUMBER HAS ALREADY BEEN USED	Filter serial number entered into the machine is not correct.	<i>Filter has already been used on this machine. Obtain new Robinair filter No. 34724.</i>
SOURCE TANK IS EMPTY	Refrigerant cannot be transferred to the ISV because the source tank is empty.	<i>Exit current test and replace the source tank.</i>
TANK FULL. REMOVE REFRIGERANT BEFORE CONTINUING	ISV is too full to recover additional refrigerant.	<i>Perform a charge process to remove refrigerant from ISV before any further recovery attempts.</i>
TRIAL PERIOD EXPIRED UNIT ACTIVATION REQUIRED TO CONTINUE USE	Failure to register and activate the machine within 30 days of initial startup will cause the machine to lock out and no longer function.	<i>Select ✓ and refer to Unit Activation section in this manual to register the machine.</i>
VACUUM TEST FAILED. CHECK FOR LEAKS	A leak in the vehicle A/C system.	<i>Exit current test and perform repairs on vehicle A/C system.</i>

Storage and Transportation of Equipment

Storage

Never leave the machine live if an immediate use is not scheduled.

1. Disconnect the machine from its power supply.
2. Loop the service hoses around the handle twice and attach them to the storage ports. See Figure 12.
3. Store the machine in a dry, stable area, away from flames and hot surfaces. The temperature of the storage area should range between -18°C and 60°C (0°F and 140°F).
4. Lock the front wheels.

Transportation of Equipment

! **WARNING:** To prevent personal injury, should the machine require transport to a Robinair service center, follow local government regulations regarding transportation of equipment containing R-134a.

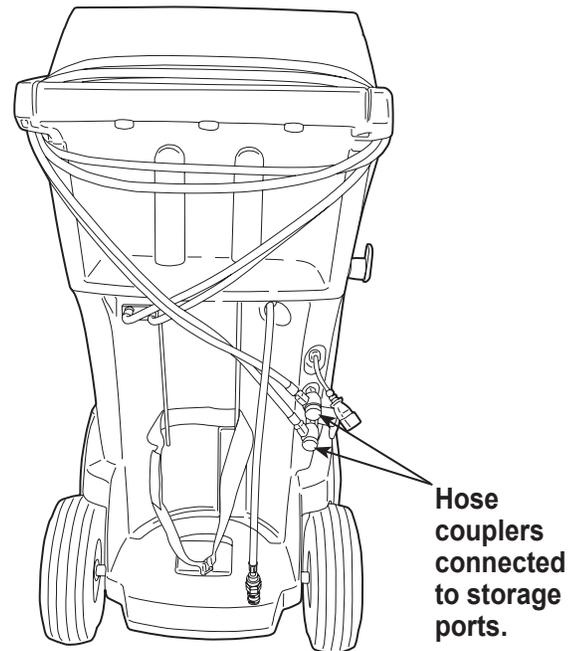


Figure 12

Disposal of Equipment



At the end of its useful life, dispose of the R-134a machine according to current government regulations.

- Public administration and producers of electrical / electronic equipment (EEE) are involved in facilitating the processes of the re-use and recovery of waste electrical / electronic equipment through the organization of collection activities and the use of appropriate planning arrangements.
- Do not dispose of this equipment as miscellaneous solid municipal waste. Arrange to have it collected separately. Unauthorized disposal of waste electrical / electronic equipment is punishable by law with appropriate penalties.
- The reuse and correct recycling of electrical / electronic equipment (EEE) is required for the protection of the environment and the well-being of humans.

Disposal of Recycled Materials

It is the responsibility of the user to determine if a material is a hazardous waste at the time of disposal. The user must ensure compliance with all applicable laws and regulations.

1. Deliver the refrigerant recovered from A/C systems to gas suppliers for recycling or disposal.
2. Deliver the lubricants extracted from A/C systems to used oil collection centers.
3. Review the laws in your jurisdiction to determine correct disposal procedures for pump oil.

Disposal of the Machine

1. Detach and vent the gas from the machine circuit. Completely discharge the refrigerant tank in compliance with current government regulations.
2. Deliver the machine to an appropriate disposal center.

Disposal of Batteries



At the end of their useful life, dispose of batteries according to current government regulations. Batteries must be recycled or disposed of correctly. Do not throw away batteries as part of normal refuse disposal.



WARNING: To prevent personal injury, do not throw batteries into open flame.

Software License Notices

BOSCH AUTOMOTIVE SERVICE SOLUTIONS SOFTWARE LICENSE NOTICES

Copyright © 2014 Robert Bosch GmbH. All Rights Reserved.

Bosch Automotive Service Solutions
28635 Mound Road
Warren
MI 48092
USA

Phone numbers
USA 800-533-6127
EMEA +49 (0) 6182 959-225

This Bosch Automotive Service Solutions software is released under the software license agreement presented at product activation.

All other products or service names are the property of their respective owners.

Registered trademarks of their respective companies and are hereby acknowledged.

The following notices pertain to this Bosch Automotive Service Solutions software license:

1. This product contains IAR Standard libraries. IAR software license agreement is reported below and located at http://www.iar.com/Global/Products/Software_licenses/SLA_February_2013.pdf.
IAR standard library includes third party software as declared in the third party licenses document reported below and located at
http://www.iar.com/Global/Products/Software_licenses/3rdpartyLicenses.html
2. This product contains LibTomCrypt is a fairly comprehensive, modular and portable cryptographic toolkit that provides developers with a vast array of well known published block ciphers, one-way hash functions, chaining modes, pseudo-random number generators, public key cryptography and a plethora of other routines. <http://www.libtom.org>. LibTomCrypt is public domain. As should all quality software be. Tom St Denis
3. This product contains Freescale software as part of the Freescale microcontroller BSP. Refer to the Freescale Semiconductor License Agreements for the use terms below reported and located at https://www.freescale.com/webapp/sps/download/license.jsp?colCode=DL-MQX-CX&prodCode=MQX&appType=file2&location=null&DOWNLOAD_ID=null&fsrch=1&sr=1&pageNum=1&Parent_nodId=&Parent_pageType

IAR Software License Agreement

Concerning the Products: IAR Embedded Workbench® and visualSTATE® from IAR Systems AB

PREAMBLE

THIS SOFTWARE LICENSE AGREEMENT (“THE AGREEMENT”) APPLIES TO PRODUCTS LICENSED BY IAR SYSTEMS AB INCLUDING ANY OF ITS SUBSIDIARIES (“IAR SYSTEMS”) OR DISTRIBUTORS (“IAR DISTRIBUTORS”), TO YOU (“THE LICENSEE”).

The order confirmation from IAR Systems, or when applicable the agreement between IAR Systems and the Licensee, will set out, apart from the applicable licensed product and license fee (which will also be stated in the Invoice), a) if the License in question is a PC-locked License or a Multi-user License, b) in case of a Multi-user License with the allowed number of simultaneous users, c) if the license includes a time limited Support and Update Service and in such cases the expiry date of such service. Any opening of a package where these terms have been stated or referred to, and any use of IAR Systems software, is subject to these terms and conditions.

YOU AS A USER OF THE LICENSED PRODUCTS STATED ABOVE AND ON THE INVOICE, WILL BIND THE CORPORATION OR ORGANIZATION ALSO SET OUT ON THE INVOICE TO THIS AGREEMENT, BY OPENING OF A PACKAGE OR INSTALLING SOFTWARE WHERE THIS AGREEMENT HAS BEEN STATED OR REFERRED TO. IF YOU ARE NOT IN AGREEMENT WITH THE TERMS HEREIN, OR DO NOT HAVE THE AUTHORITY TO BIND YOUR CORPORATION OR ORGANIZATION TO THESE TERMS, YOU SHALL IMMEDIATELY CONTACT IAR SYSTEMS AND YOU MAY NOT INSTALL ANY SOFTWARE OR MAKE USE OF ANY PARTS OF THE PRODUCT.

1. DEFINITIONS

The following terms have the meanings set forth below whenever they are used in this Agreement:

- 1.1 **“Executable Software”** means a copy of the executable code version of the software program(s) included in the enclosed package or otherwise specified in this Agreement or Invoice (including any link-time and runtime modules), along with templates and other instructions and any Software updates, revisions, and additional modules and templates (if any) that the Licensee may receive from IAR Systems hereunder from time to time.
- 1.2 **“Software Source Code”** has the meaning set out in section 3.7.
- 1.3 **“Software”** is a collective term for Executable Software and Software Source Code as defined above.
- 1.4 **“Documentation”** means a copy of the documentation, as provided by IAR Systems together with the Software for use by the Licensee.
- 1.5 **“Product”** means the Software and Documentation licensed to the Licensee under the conditions of this Agreement.
- 1.6 **“Invoice”** means IAR Systems’ or IAR Distributor’s invoice to the Licensee for the Product license granted hereunder.
- 1.7 **“PC-locked License”** has the meaning set out in section 3.2.
- 1.8 **“Mobile License”** has the meaning set out in section 3.3.
- 1.9 **“Multi-user License”** has the meanings set out in section 3.4.
- 1.10 **“Network License”** has the meanings set out in section 3.5.
- 1.11 **“Global Network License”** has the meanings set out in section 3.6.
- 1.12 **“Concurrent Users”** has the meaning as set out in section 3.7.
- 1.13 **“Commuter license”** has the meaning as set out in section 3.8.
- 1.14 **“Evaluation License”** has the meanings set out in section 3.12.
- 1.15 **“Site”** means the physical premises of the Licensee within the borders of one city.
- 1.16 **“Target Architecture”** means the family or group of embedded micro-controller and micro-processor devices belonging to one processor architecture, as defined by its instruction set, and as specified on the Invoice.
- 1.17 **“Support and Update Services”** means the services set out in section 12.

2. TERM OF AGREEMENT

- 2.1 This Agreement shall become effective on the latest at the Licensee’s receipt of the Software and shall remain in effect for an indefinite period in time, subject to the terms and conditions set out below – in particular the right of IAR Systems to terminate the Agreement upon Licensee’s breach. Registration of the Licensee as a rightful user of Licensed Products shall be made in accordance with applicable instructions from IAR Systems.
- 2.2 For the avoidance of doubt: Also for Software delivered with a temporary license key (for some products called quick start key) enabling use for a limited time, the Agreement terms have become effective, including but not limited to its payment terms and use restrictions, already upon the Licensee’s receipt of the Software, regardless of whether registration is made or not. (Evaluation licenses without obligation to pay license fees, are available to the extent separately provided by IAR Systems.)

3. OWNERSHIP AND LICENSE GRANT

- 3.1 IAR Systems holds the copyright, trade secrets, and any other intellectual property rights which subsist in the Licensed Product and all copies thereof. No title or other rights in the Licensed Product (other than rights expressly granted herein) shall pass to the Licensee.

THE PRODUCT IS LICENSED, NOT SOLD, TO THE LICENSEE FOR USE ONLY UNDER THE TERMS OF THIS AGREEMENT. THE LICENSEE ACKNOWLEDGES THAT THE PRODUCT CONSISTS OF PROPRIETARY, UNPUBLISHED PRODUCTS OF IAR SYSTEMS, PROTECTED UNDER INTERNATIONAL COPYRIGHT AND TRADE SECRET LAWS.

IAR Software License Agreement

3.2 PC-locked License: To the extent the relevant license granted is a PC-locked License, the terms in 3.2.a and 3.2.b shall apply.

A PC-locked License is a single-user license, locked to the computer where the software is installed.

3.2.a Subject to the terms and conditions of this Agreement, IAR Systems hereby grants to the Licensee a personal, non-transferable and non-exclusive PC-locked License to use the Software. The Licensee's number of authorized users of the Software under the PC-locked License, if more than one, is stated in the Invoice or otherwise in writing from IAR Systems.

3.2.b The PC-locked License may be used by the Licensee only on one single, self-contained computer unit (stationary or portable), designated through its IP number or other means of identification. A switch of the designated computer to another single computer may be allowed to transfer the license via a transfer program provided by IAR Systems within the license management system. The Software may not be accessed by users from other computer units than the unit designated as set forth in this clause; through modem, Internet or any other means of network or remote access.

3.3 Mobile License: To the extent the relevant license granted is a Mobile License, the terms in 3.3.a and 3.3.b shall apply.

A Mobile License comes with a hardware lock (dongle). A hardware lock is a device to be attached to one of the computer's external ports, which allows the Licensee to move the license to another computer. A hardware lock is part of the product package only to the extent explicitly ordered.

3.3.a Subject to the terms and conditions of this Agreement, IAR Systems hereby grants to the Licensee a personal, non-transferable and non-exclusive Mobile License to use the Software. The Licensee's number of authorized users of the Software under the Mobile License, if more than one, is stated in the Invoice or otherwise in writing from IAR Systems.

3.3.b The Mobile License may be used by the Licensee only for one single user, but with the right to a switch of the designated computer to another single computer using a hardware lock. The Software may not be accessed by users from other computer units than the unit designated as set forth in this clause; through modem, Internet or any other means of network or remote access.

3.4 Multi-user License: To the extent the Product license granted is a Multi-user License, the terms in this 3.4 shall apply.

Subject to the terms and conditions of this Agreement, IAR Systems hereby grants to the Licensee a personal, non-transferable and non-exclusive Multi-user License to use the Software. The Licensee's number of authorized users of the Software under the Multi-user License, if more than one, is stated in the Invoice or otherwise in writing from IAR Systems or IAR Distributors.

3.5 A Network License is a Multi-user License, located on a single designated license server and used by multiple users on a network and on one Site only. The Network License is locked either to the computer where the license server software runs, or to a hardware lock (dongle). The use of a hardware lock allows to move the Network License to another server computer, in case of server failure. The Network License can be used on all client computers on the network where the Software is installed. However, the Network License is made for a maximum number of concurrent users.

3.6 A **Global Network License** is a Multi-user License, located on a license server and used by multiple users on a network that can be accessed from multiple Sites globally. The Global Network License is locked either to the computer where the license server software runs, or to a hardware lock (dongle). The use of a hardware lock allows to move the Global Network License to another server computer, in case of server failure. The Global Network License can be used on all client computers on the network where the Software is installed. However, the Global Network License is made for a maximum number of concurrent users.

3.7 Concurrent Users: For Products that are Executable Software and licensed as Network Licenses, the definition of concurrency is given by the license server software, which also keeps track of the number of current of users. A user session of an Executable Software is always a minimum of thirty (30) minutes, and is deemed to last for additional thirty (30) minutes after the last license activation by the license server. For Products including Software Source Code, the software shall be deemed in (concurrent) use on a computer when it is loaded into temporary memory (i.e. RAM) or installed into permanent memory (e.g., hard disk, CD-ROM, or other storage device) of that computer.

3.8 Commuter licensing: For Products released 2012 and later including a new license management system (LMS) a commuter license is granted. Commuter licensing permits a temporary use of a network license on a personal computer not connected to the network for up to 15 days. The commuter license permits the use of the Product outside the designated Site.

3.9 Source Code License: If the Product Licensee receives hereunder contained software modules or components in source code format ("Software Source Code"), the following shall apply to such Software Source Code, in addition to all other provisions of this Agreement:

The Licensee may use such Software Source Code only in conjunction with the Product and the Software Source Code or any derivative works thereof. The Software Source Code may only be compiled and linked with products

IAR Software License Agreement

from IAR Systems, and only in accordance with the provisions on such use set out in the Documentation and/or this Agreement. The Licensee is strictly prohibited to make any other use of the Software Source Code. Any breach of this Section 3.9 shall be considered a material breach of this Agreement.

THE LICENSEE ACKNOWLEDGES THAT THE SOFTWARE SOURCE CODE EMBEDS COPYRIGHTED AND PROPRIETY INFORMATION OF IAR SYSTEMS, AND THAT MAKING SOFTWARE SOURCE CODE ACCESSIBLE TO OTHERS OUTSIDE THE SCOPE OF THIS AGREEMENT, BY THE NATURE OF SOURCE CODE, SEVERELY DAMAGES THE INTELLECTUAL PROPERTY RIGHTS OF IAR SYSTEMS, AND AGREES TO COMPENSATE IAR FOR ALL DAMAGE RESULTING FROM SUCH BREACH, THAT CAN BE REASONABLY SUBSTANTIATED BY IAR. The Licensee shall keep and protect the Software Source Code with at least the same degree of care as its own proprietary source code, as further specified in section 5.

3.10 If the Product the Licensee receives hereunder contains Third Party-Owned software, the use of such Third Party-Owned software may be restricted to a specific Target Architecture. See Section 11.2 below.

3.11 Back-up Copies: The Licensee may make back-up copies of the Software in machine executable code form, only to be used in the event and to the extent that the copy of the Software received from IAR Systems fails to function, is lost, damaged, or destroyed. The Licensee warrants that it will make no other copies of the Software and will not allow, authorize, or assist others to copy any part or all of the Software in any form without the prior written approval of IAR Systems. There may be no more copies than are necessary to form part of a reasonable back-up cycle for the Licensee. Back-up copies of the Software may be kept by the Licensee in a bank deposit or other such secure place as is normally used by the Licensee for storage of its computer program back-ups. The rights for the Licensee under this section shall not in any case include any measures to affect or decrease the function of the software protection included in the software.

3.12 An **Evaluation License** is solely intended for testing and evaluation purposes. Any other use than for testing and evaluation is prohibited. IAR Systems has no obligation to provide support or related services and no warranties. IN NO EVENT SHALL IAR SYSTEMS BE LIABLE TO THE OTHER FOR ANY DIRECT, INDIRECT, INCIDENTAL, SPECIAL, CONSEQUENTIAL, PUNITIVE OR TORT DAMAGES OF ANY NATURE OR KIND WHATSOEVER, INCLUDING BUT NOT LIMITED TO LOST PROFITS, IN CONNECTION WITH OR ARISING OUT OF THE USE OR PERFORMANCE OF SOFTWARE, SUPPORT MATERIALS, OR THE PROVISION OF SERVICES, EVEN IF THE OTHER PARTY HAS BEEN ADVISED OF THE POSSIBILITY OF SUCH DAMAGES.

Section 11 in this Software License Agreement may also apply to an Evaluation License.

4. LICENSE RESTRICTIONS

4.1 The Licensee may not remove, make emulation, reverse engineer, decompile, or disassemble the Executable Software. Licensee is not allowed to derive the source or assembly code of files provided in executable or object formats. The Licensee accepts that all information gained about the Software is the valuable intellectual property of IAR Systems and as such must be treated as confidential as described under Article 5. The Licensee warrants that it will not sell, license, lease, rent, loan, lend, transmit, network, communicate, or otherwise distribute or transfer the Software in any manner to any third party whether on a permanent or temporary basis, except as explicitly stated in this Agreement. Furthermore the Licensee warrants that it will not use or permit the use of (including without limitation by time sharing or network use) the Software for the benefit of any entity other than the Licensee; or in a computer service business; make unauthorized copies of the documentation; make verbal or media translations of the documentation; make telecommunications data transmissions of the Software; use long-haul gateways on any central processing unit on which the Software is used. The Licensee is also expressly prohibited from adapting, modifying, revising, improving, upgrading, enhancing, and creating derivative works of the Executable Software for any purpose including error correction or any other type of maintenance.

4.2 The Licensee shall keep records of the Licensee's use of Software. The Licensee shall make the records available to either IAR Systems or a neutral third party on reasonable notice, as agreed between the parties. In the case of a neutral third party audit, IAR Systems and Licensee shall in good faith mutually appoint an auditor. Should such an agreement not be reached within 60 days after IAR Systems notice, then the parties agree to have Business Software Alliance conduct such an audit, or itself elect an auditor. The Licensee will permit IAR Systems or a third party, as the case may be, to have access to the Licensee's records and computer systems and to use software audit tools on the Licensee's systems to ensure that the Licensee is using its software in accordance with the applicable license terms. Upon the Licensee's request, the party conducting the audit with the Licensee shall enter into a non-disclosure agreement with the Licensee, to protect the Licensee's propriety and/or confidential information. Information retrieved and/or conveyed to IAR Systems as a result of such an audit as here described shall be limited as to only ensure that the Licensee is using its software in accordance with the applicable license terms, or evidence of the contrary.

4.3 Subject to the other terms herein, and with the Licensee as fully responsible for all actions or omissions of such a consultant, Licensee may let a consultant use the Software for work solely on behalf of the Licensee for the licensed purpose and provided that the Software is not used for any other purpose or third party.

4.4 Upon each and every breach by the Licensee hereunder a contractual penalty amounting to 200% for breach

IAR Software License Agreement

under sections 3.2, 3.3, 3.4, 3.5, 3.6, 3.11, 4.1 or 4.3 and 1000% for breach under section 3.8 of the applicable licensee fee under the relevant Invoice is payable by the Licensee to IAR Systems. In case IAR Systems' actual damage due to the breach would exceed this amount, also the remainder shall be paid by the Licensee, see also Section 3.8.

5. CONFIDENTIALITY

5.1 The Licensee agrees that all material and information relating to the Software is made available for the use solely under and in accordance with this Agreement. The Licensee has no right at any time during or after cancellation or termination of this Agreement to disclose such material and/or information relating to the Software, whether directly or indirectly, to any third party without IAR Systems' prior written approval. The Licensee shall hold harmless, defend, and indemnify IAR Systems from and against any and all losses, costs, damages, and expenses arising out of or in connection with the Licensee's failure to comply with requirements of this Article 5. The Licensee's confidentiality obligations hereunder shall survive cancellation or termination, for any reason, of this Agreement.

6. PAYMENT TERMS AND CONDITIONS

6.1 In consideration of the rights granted and services rendered by IAR Systems under this Agreement, the Licensee shall pay the license fees for the Software as specified in the Invoice. Payments are to be made according to the payment schedule stated in the Invoice, or if not stated, invoices are payable within 30 days of the invoice date.

6.2 If the Licensee fails to effect payment within the stipulated time, IAR Systems or IAR Distributors shall be entitled to a) charge interest after due date as stated in the Invoice, or if not stated in the invoice, the interest charged will be the reference rate set by Sweden's central bank (the Riksbank) + 8%. b) postpone the fulfilment of any of its own obligations until payment is made, and/or c) terminate the Agreement by notice in writing to the Licensee and recover from the Licensee any and all loss incurred.

6.3 All prices are exclusive of, and the Licensee is responsible for, all fees and taxes, including custom duties, importation fees, sales, use, withholding, gross revenue, and like taxes, dues, and charges assessed or incurred in connection with the provision of goods and services under this Agreement.

7. LIMITED WARRANTY

7.1 IAR Systems warrants that the media on which the Software is recorded upon receipt by the Licensee will be free from defects in materials and faulty workmanship under normal use for a period of ninety (90) days from the date of delivery to the Licensee. During this warranty period IAR Systems will, at its option, after its receipt of the media in return, repair or replace, free of charge, defective media upon which the Software was supplied and record a copy of the Software on the repaired or replacement media. Said repair or replacement shall be the Licensee's exclusive remedy under this media warranty. Notwithstanding the foregoing, IAR Systems shall have no responsibility to repair or replace a media which, in IAR Systems' opinion, has been damaged by the Licensee by accident, abuse, or as a result of attempted self-maintenance service.

7.2 IAR Systems does not warrant that the Software will meet the Licensee's requirements or that the operation of the Software will be uninterrupted and error free. The Licensee is solely responsible for the selection of the Software to achieve its intended results or for the results actually obtained.

7.3 The above warranty does not apply to conditions resulting from improper use, external causes, including service or modifications not performed by IAR Systems or a contractor appointed by IAR Systems, or operation outside the specified environmental parameters. IAR Systems will not be responsible for operation of the Software other than on the host equipment specified in the Invoice and in conjunction with the operating environment designated for each version of the Software. Minor deviations from the above warranty, which are of little importance for the intended use of the Software and which do not cause more than minor inconvenience for the Licensee shall not be considered as breaches of the above warranty.

7.4 THE ABOVE WARRANTY IS IAR SYSTEMS' ONLY WARRANTY WITH REGARD TO THE SOFTWARE AND THIS AGREEMENT AND, SAVE AS PROVIDED IN THIS AGREEMENT, NO OTHER WARRANTY OR CONDITION, EXPRESSED OR IMPLIED, WILL APPLY, AND THE LICENSEE WILL NOT RAISE ANY OTHER CLAIMS BASED ON THE PERFORMANCE OR LACK OF PERFORMANCE OF THE SOFTWARE. IAR SYSTEMS SPECIFICALLY EXCLUDES ALL OTHER WARRANTIES, REPRESENTATIONS OR UNDERTAKINGS, EXPRESS, IMPLIED OR STATUTORY, INCLUDING BUT NOT LIMITED TO ANY IMPLIED WARRANTIES OF MERCHANTABILITY OR FITNESS FOR A PARTICULAR PURPOSE, ABILITY TO ACHIEVE A PARTICULAR RESULT, OR OF ANY OTHER WARRANTY OBLIGATION ON THE PART OF IAR SYSTEMS.

7.5 IAR Systems expressly disclaims any liability for any hardware or software solutions at the Licensee which may affect the performance of the Software, including but not limited to network configurations.

7.6 The provisions of this Article 7 shall survive any expiration or termination of this Agreement.

8. INTELLECTUAL PROPERTY INFRINGEMENT

8.1 IAR Systems will in the way set out in 8.2, and subject to all limitations therein, act on any action brought against the Licensee to the extent it is based on a claim that the Software as it exists on the date of the Invoice infringes any patent or copyright duly issued under the laws of the country under which IAR Systems or the

IAR Software License Agreement

Licensee is organized.

8.2 IAR Systems shall, in the way set out below, as sole remedy, act on a third-party claim that the Software infringes the intellectual property rights of such party, provided that IAR Systems is given prompt notice of such claim and is given information, reasonable assistance, and sole authority to defend or settle the claim. IAR Systems may at its option obtain the right for the Licensee to continue using the infringing IAR Product, replace or modify the infringing Product until it becomes non-infringing, or if such replacement or modification is not reasonably available, terminate this license with respect to the infringing Product and provide for a reasonable refund of fees paid by the Licensee to IAR Systems for the IAR Product so affected.

8.3 IAR Systems shall not have any liability if the alleged infringement arises out of unauthorized use of the Software, postdelivery, non-IAR Systems modifications, or the combination with other products or devices not furnished by IAR Systems. **THE OBLIGATIONS STATED IN THIS SECTION ARE IAR SYSTEMS' SOLE LIABILITIES AND THE LICENSEE'S SOLE REMEDIES FOR INFRINGEMENT OF PATENTS AND COPYRIGHTS. FOR THE AVOIDANCE OF DOUBT: THE LIABILITY OF IAR SYSTEMS UNDER THIS SECTION 8 MAY NEVER EXCEED THE LICENSE FEE PAID BY THE LICENSEE.**

9. FORCE MAJEURE

9.1 Either party shall be excused from fulfilment of any obligation under this Agreement only to the extent that and for so long as such performance is prevented or delayed by an industrial dispute or any other cause beyond its reasonable control, such as, but not limited to, riots; floods; war; warlike hostilities; fires; embargo; shortage of labor, power, fuel, means of transportation, or common lack of other necessities. A party wishing to claim relief under this Article shall forthwith notify the other party in writing on the intervention and on the cessation of such circumstance.

10. LIMITATION OF LIABILITY

10.1 THE USE OF THE SOFTWARE AND ALL CONSEQUENCES ARISING THEREFROM IS THE SOLE RESPONSIBILITY OF LICENSEE. IAR SYSTEMS SHALL NOT BE LIABLE TO THE LICENSEE FOR ANY LOSS OR DAMAGE CAUSED ARISING DIRECTLY OR INDIRECTLY IN CONNECTION WITH THE SOFTWARE, THE USE OF THE SOFTWARE, OR OTHERWISE.

10.2 IAR SYSTEMS' LIABILITY VIS-À-VIS THE LICENSEE UNDER THIS AGREEMENT SHALL UNDER ALL CIRCUMSTANCES BE LIMITED TO FIFTY (50) PER CENT OF THE LICENSE FEE FOR THE SOFTWARE PAID BY THE LICENSEE HEREUNDER, PROVIDED HOWEVER THAT IF SECTION 8 IS APPLICABLE THE TOTAL LIABILITY OF IAR SYSTEMS HEREUNDER MAY INSTEAD NEVER EXCEED 100% OF THE LICENSE FEE PAID BY THE LICENSEE HEREUNDER FOR SUCH SOFTWARE.

10.3 IAR SYSTEMS SHALL IN NO EVENT BE LIABLE TO THE LICENSEE UNDER THIS AGREEMENT FOR ANY SPECIAL, INDIRECT, INCIDENTAL, OR CONSEQUENTIAL DAMAGES UNDER ANY LEGAL THEORY, SUCH AS LOSS OF DATA, USE AND/OR PROFITS, BUSINESS INTERRUPTION OR DOWNTIME COSTS AND CAPITAL COSTS OR CLAIM OF THIRD PARTY, WHETHER ON ACCOUNT OF DEFECTS, PERFORMANCES, NON-PERFORMANCES, DELAYS, PERSONAL INJURIES, PROPERTY DAMAGES, OR OTHERWISE, REGARDLESS WHETHER IAR SYSTEMS HAS BEEN ADVISED OF THE POSSIBILITY OF SUCH DAMAGES.

10.4 NOTHING IN THIS AGREEMENT SHALL EXCLUDE OR LIMIT THE LIABILITY UNDER APPLICABLE COMPULSORY LAW OF IAR SYSTEMS FOR DEATH OR PERSONAL INJURY RESULTING FROM ITS NEGLIGENCE.

10.5 The provisions of this Article 10 shall survive the cancellation or termination of this Agreement.

11. THIRD PARTY RIGHTS

11.1 The IAR Embedded Workbench for Eclipse includes Eclipse Materials. This License does not apply to such Eclipse Material and this is not included in the term "Software" under this License. You agree to comply with all terms and conditions imposed on you in respect of such Eclipse Materials.

11.1.1 The Eclipse Materials are licensed under the terms of the Eclipse Public License (EPL), Version 1.0, a copy of which is included in the Eclipse Materials and also available at <http://www.opensource.org/licenses/eclipse-1.0.php>.

11.2 The IAR Embedded Workbench may include Third Party-Owned software. In addition to all other provisions of this License the Third Party-Owned software shall also be subject to the supplemental terms and conditions governing such Third Party-Owned software. These supplemental terms add to the terms of this License and shall supersede any inconsistent or conflicting terms in this License as they pertain to the Third Party-Owned software. If the Product the Licensee receives hereunder contains Third Party-Owned software the Licensee agree to comply with all terms and conditions imposed on you in respect of such Third Party-Owned software.

11.2.1 The Third Party-Owned Software is subject to the additional terms of each Third Party and a copy of these supplemental terms is available at <http://www.iar.com/en/products/software-licenses>.

12. SUPPORT AND UPDATE AGREEMENT (SUA)

12.1 Excluding what is specified in Section 12.2 and/or Section 7 of this Agreement, this Agreement does not grant the Licensee any right whatsoever to any improvements, modifications, enhancements or updates to the Software, or any other support services relating to the Software.

12.2 To the extent that the license granted includes a time-limited Support and Update Service, the Licensee

IAR Software License Agreement

will be entitled to the services defined in the Support and Update Agreement (“SUA”) attached hereto. In the case that the license granted does not include Support and Update Services or in the case where such services have expired, the Licensee may, depending on the nature of the granted license, purchase additional periods of Support and Update Services

12.3 Use of improvements, modifications, enhancements or updates received by the Licensee under IAR Systems’ Support and Update Agreement (SUA) or received under Section 7 of this Agreement, shall be governed by the terms and conditions contained herein.

13. TERMINATION OF THE AGREEMENT

13.1 IAR Systems shall have the right to terminate this Agreement with immediate effect if the Licensee is in breach of any of its obligations under this Agreement, including, but not limited to (a) use of the Software in any manner other than pursuant to the rights granted in Article 3 and 4, (b) breach of the confidentiality provisions of Article 5, or (c) failure of the Licensee to remit payments as provided in Article 6.

13.2 This Agreement will terminate immediately without notice if Licensee suspends its payments, becomes bankrupt or insolvent or enters into liquidation or otherwise can be regarded as insolvent.

13.3 Upon IAR Systems’ termination of this Agreement, as set out in this Article, then, IAR Systems may, at its option, and in addition to any other rights hereunder, and in addition to any other remedies available to IAR Systems under the law, in writing require the Licensee to return or destroy all versions of the Software and the Documentation and any and all documentation relating thereto on any media and in any form in Licensee’s possession. Licensee shall give a written confirmation to IAR Systems that all material related to the Software and its operation has been returned to IAR Systems or destroyed. The provisions of this Section 13.3 shall survive the cancellation or termination of this Agreement.

14. EXPORT CONTROL REGULATIONS

14.1 The Software and the Documentation is subject to export or import regulations in various countries, including the regulations of the United States Export Administration Act. The Licensee hereby agrees that the Licensee will not knowingly (a) export or reexport, directly or indirectly, any product or technical data or any controlled products restricted by applicable national regulations, including software, received from IAR Systems under this agreement, (b) disclose such technical data for use in, or (c) export or reexport, directly or indirectly, any direct product of such technical data or of such other controlled products, including software, to any destination to which such export or reexport is restricted or prohibited by U.S. or applicable non-U.S. law, without obtaining prior written consent of IAR Systems.

15. MISCELLANEOUS

15.1 This Agreement shall not in any situation be assignable or transferable in whole or in part by either party, without the prior written approval of the other party. This notwithstanding, IAR Systems shall be entitled to assign this Agreement in whole or in part to a company within the IAR Systems Group, and IAR Systems may assign this Agreement without penalty or detriment to its rights under this Agreement, and without the Licensee’s prior written consent, in the event of a merger or similar reorganization or sale of substantially all of IAR Systems’ assets.

15.2 No alteration or amendment to this Agreement shall be valid unless such alteration or amendment is made in writing and signed by the parties hereto.

15.3 Any notice or other communication under this Agreement shall be made in writing either by hand or by telefax (confirmed by airmail) or by certified or registered airmail first-class postage prepaid to the parties at the addresses stated in the Invoice (or at such other address a party may specify by written notice to the other).

15.4 This Agreement contains the entire understanding between the parties on its subject matter, and annuls and replaces any other agreements or understandings, whether written or oral, which may exist or have existed between the parties on the subject matter hereof.

15.5 This Agreement shall be governed by and construed in accordance with the substantive to the courts of the country in which IAR Systems is incorporated. Any dispute concerning this agreement or the interpretation or validity thereof, or any other dispute based thereon, shall be submitted to the courts of the country in which IAR Systems is incorporated.

15.6 The provisions of this Article 15 shall survive the cancellation or termination of this Agreement.

This document contains Third Party Software Notices and/or Additional Terms and Conditions for licensed third party software components included within IAR Systems software product **IAR Embedded Workbench**. These notices and/or additional terms and conditions are made a part of and incorporated by reference into the IAR Software License Agreement.

IAR Software License Agreement

1. Components used internally in IAR Embedded Workbench

Third Party Software	Notice/Terms
SCINTILLA	<p>License for Scintilla and SciTE Copyright 1998-2002 by Neil Hodgson. All Rights Reserved. Permission to use, copy, modify, and distribute this software and its documentation for any purpose and without fee is hereby granted, provided that the above copyright notice appear in all copies and that both that copyright notice and this permission notice appear in supporting documentation.</p> <p>NEIL HODGSON DISCLAIMS ALL WARRANTIES WITH REGARD TO THIS SOFTWARE, INCLUDING ALL IMPLIED WARRANTIES OF MERCHANTABILITY AND FITNESS, IN NO EVENT SHALL NEIL HODGSON BE LIABLE FOR ANY SPECIAL, INDIRECT OR CONSEQUENTIAL DAMAGES OR ANY DAMAGES WHATSOEVER RESULTING FROM LOSS OF USE, DATA OR PROFITS, WHETHER IN AN ACTION OF CONTRACT, NEGLIGENCE OR OTHER TORTIOUS ACTION, ARISING OUT OF OR IN CONNECTION WITH THE USE OR PERFORMANCE OF THIS SOFTWARE</p>
IBM ICU	<p>ICU License - ICU 1.8.1 and later COPYRIGHT AND PERMISSION NOTICE Copyright (c) 1995-2003 International Business Machines Corporation and others All rights reserved.</p> <p>Permission is hereby granted, free of charge, to any person obtaining a copy of this software and associated documentation files (the "Software"), to deal in the Software without restriction, including without limitation the rights to use, copy, modify, merge, publish, distribute, and/or sell copies of the Software, and to permit persons to whom the Software is furnished to do so, provided that the above copyright notice(s) and this permission notice appear in all copies of the Software and that both the above copyright notice(s) and this permission notice appear in supporting documentation.</p> <p>THE SOFTWARE IS PROVIDED "AS IS", WITHOUT WARRANTY OF ANY KIND, EXPRESS OR IMPLIED, INCLUDING BUT NOT LIMITED TO THE WARRANTIES OF MERCHANTABILITY, FITNESS FOR A PARTICULAR PURPOSE AND NONINFRINGEMENT OF THIRD PARTY RIGHTS. IN NO EVENT SHALL THE COPYRIGHT HOLDER OR HOLDERS INCLUDED IN THIS NOTICE BE LIABLE FOR ANY CLAIM, OR ANY SPECIAL INDIRECT OR CONSEQUENTIAL DAMAGES, OR ANY DAMAGES WHATSOEVER RESULTING FROM LOSS OF USE, DATA OR PROFITS, WHETHER IN AN ACTION OF CONTRACT, NEGLIGENCE OR OTHER TORTIOUS ACTION, ARISING OUT OF OR IN CONNECTION WITH THE USE OR PERFORMANCE OF THIS SOFTWARE.</p> <p>Except as contained in this notice, the name of a copyright holder shall not be used in advertising or otherwise to promote the sale, use or other dealings in this Software without prior written authorization of the copyright holder. All trademarks and registered trademarks mentioned herein are the property of their respective owners</p>

IAR Software License Agreement

<p>Apache</p>	<p>The Apache Software License, Version 1.1 Copyright (c) 1999-2003 The Apache Software Foundation. All rights reserved. Redistribution and use in source and binary forms, with or without modification, are permitted provided that the following conditions are met:</p> <ol style="list-style-type: none"> 1. Redistributions of source code must retain the above copyright notice, this list of conditions and the following disclaimer. 2. Redistributions in binary form must reproduce the above copyright notice, this list of conditions and the following disclaimer in the documentation and/or other materials provided with the distribution. 3. The end-user documentation included with the redistribution, if any, must include the following acknowledgment: "This product includes software developed by the Apache Software Foundation (http://www.apache.org/).” Alternately, this acknowledgment may appear in the software itself, if and wherever such third-party acknowledgments normally appear. 4. The names “Xerces” and “Apache Software Foundation” must not be used to endorse or promote products derived from this software without prior written permission. For written permission, please contact apache@apache.org. 5. Products derived from this software may not be called “Apache”, nor may “Apache” appear in their name, without prior written permission of the Apache Software Foundation. <p>THIS SOFTWARE IS PROVIDED ``AS IS'' AND ANY EXPRESSED OR IMPLIED WARRANTIES, INCLUDING, BUT NOT LIMITED TO, THE IMPLIED WARRANTIES OF MERCHANTABILITY AND FITNESS FOR A PARTICULAR PURPOSE ARE DISCLAIMED. IN NO EVENT SHALL THE APACHE SOFTWARE FOUNDATION OR ITS CONTRIBUTORS BE LIABLE FOR ANY DIRECT, INDIRECT, INCIDENTAL, SPECIAL, EXEMPLARY, OR CONSEQUENTIAL DAMAGES (INCLUDING, BUT NOT LIMITED TO, PROCUREMENT OF SUBSTITUTE GOODS OR SERVICES; LOSS OF USE, DATA, OR PROFITS; OR BUSINESS INTERRUPTION) HOWEVER CAUSED AND ON ANY THEORY OF LIABILITY, WHETHER IN CONTRACT, STRICT LIABILITY, OR TORT (INCLUDING NEGLIGENCE OR OTHERWISE) ARISING IN ANY WAY OUT OF THE USE OF THIS SOFTWARE, EVEN IF ADVISED OF THE POSSIBILITY OF SUCH DAMAGE.</p> <p>This software consists of voluntary contributions made by many individuals on behalf of the Apache Software Foundation and was originally based on software copyright (c) 1999, International Business Machines, Inc., http://www.ibm.com. For more information on the Apache Software Foundation, please see http://www.apache.org/</p>
<p>LLVM</p>	<p>LLVM Release License University of Illinois/NCSA. Open Source License. Copyright (c) 2003-2011 University of Illinois at Urbana-Champaign. All rights reserved. Developed by: LLVM Team University of Illinois at Urbana-Champaign. http://llvm.org Permission is hereby granted, free of charge, to any person obtaining a copy of this software and associated documentation files (the “Software”), to deal with the Software without restriction, including without limitation the rights to use, copy, modify, merge, publish, distribute, sublicense, and/or sell copies of the Software, and to permit persons to whom the Software is furnished to do so, subject to the following conditions:</p> <p>* Redistributions of source code must retain the above copyright notice, this list of conditions and the following disclaimers. * Redistributions in binary form must reproduce the above copyright notice, this list of conditions and the following disclaimers in the documentation and/or other materials provided with the distribution. * Neither the names of the LLVM Team, University of Illinois at Urbana-Champaign, nor the names of its contributors may be used to endorse or promote products derived from this Software without specific prior written permission.</p> <p>THE SOFTWARE IS PROVIDED “AS IS”, WITHOUT WARRANTY OF ANY KIND, EXPRESS OR IMPLIED, INCLUDING BUT NOT LIMITED TO THE WARRANTIES OF MERCHANTABILITY, FITNESS FOR A PARTICULAR PURPOSE AND NONINFRINGEMENT. IN NO EVENT SHALL THE CONTRIBUTORS OR COPYRIGHT HOLDERS BE LIABLE FOR ANY CLAIM, DAMAGES OR OTHER LIABILITY, WHETHER IN AN ACTION OF CONTRACT, TORT OR OTHERWISE, ARISING FROM, OUT OF OR IN CONNECTION WITH THE SOFTWARE OR THE USE OR OTHER DEALINGS WITH THE SOFTWARE..</p>

IAR Software License Agreement

<p>Boost C++ Libraries</p>	<p>Boost Software License - Version 1.0 - August 17th, 2003 Permission is hereby granted, free of charge, to any person or organization obtaining a copy of the software and accompanying documentation covered by this license (the "Software") to use, reproduce, display, distribute, execute, and transmit the Software, and to prepare derivative works of the Software, and to permit third-parties to whom the Software is furnished to do so, all subject to the following: The copyright notices in the Software and this entire statement, including the above license grant, this restriction and the following disclaimer, must be included in all copies of the Software, in whole or in part, and all derivative works of the Software, unless such copies or derivative works are solely in the form of machine-executable object code generated by a source language processor. THE SOFTWARE IS PROVIDED "AS IS", WITHOUT WARRANTY OF ANY KIND, EXPRESS OR IMPLIED, INCLUDING BUT NOT LIMITED TO THE WARRANTIES OF MERCHANTABILITY, FITNESS FOR A PARTICULAR PURPOSE, TITLE AND NON-INFRINGEMENT. IN NO EVENT SHALL THE COPYRIGHT HOLDERS OR ANYONE DISTRIBUTING THE SOFTWARE BE LIABLE FOR ANY DAMAGES OR OTHER LIABILITY, WHETHER IN CONTRACT, TORT OR OTHERWISE, ARISING FROM, OUT OF OR IN CONNECTION WITH THE SOFTWARE OR THE USE OR OTHER DEALINGS IN THE SOFTWARE.</p>
<p>Protocol Buffers</p>	<p>Protocol Buffers - Google's data interchange format Copyright 2008 Google Inc. All rights reserved. http://code.google.com/p/protobuf/ Redistribution and use in source and binary forms, with or without modification, are permitted provided that the following conditions are met: * Redistributions of source code must retain the above copyright notice, this list of conditions and the following disclaimer. * Redistributions in binary form must reproduce the above copyright notice, this list of conditions and the following disclaimer in the documentation and/or other materials provided with the distribution. * Neither the name of Google Inc. nor the names of its contributors may be used to endorse or promote products derived from this software without specific prior written permission. THIS SOFTWARE IS PROVIDED BY THE COPYRIGHT HOLDERS AND CONTRIBUTORS "AS IS" AND ANY EXPRESS OR IMPLIED WARRANTIES, INCLUDING, BUT NOT LIMITED TO, THE IMPLIED WARRANTIES OF MERCHANTABILITY AND FITNESS FOR A PARTICULAR PURPOSE ARE DISCLAIMED. IN NO EVENT SHALL THE COPYRIGHT OWNER OR CONTRIBUTORS BE LIABLE FOR ANY DIRECT, INDIRECT, INCIDENTAL, SPECIAL, EXEMPLARY, OR CONSEQUENTIAL DAMAGES (INCLUDING, BUT NOT LIMITED TO, PROCUREMENT OF SUBSTITUTE GOODS OR SERVICES; LOSS OF USE, DATA, OR PROFITS; OR BUSINESS INTERRUPTION) HOWEVER CAUSED AND ON ANY THEORY OF LIABILITY, WHETHER IN CONTRACT, STRICT LIABILITY, OR TORT (INCLUDING NEGLIGENCE OR OTHERWISE) ARISING IN ANY WAY OUT OF THE USE OF THIS SOFTWARE, EVEN IF ADVISED OF THE POSSIBILITY OF SUCH DAMAGE.</p>

2. Components potentially used in customer applications

<p>Third Party Software</p>	<p>Notice/Terms</p>
<p>dImalloc</p>	<p>Version of malloc/free/realloc (aka dImalloc) written by Doug Lea and released to the public domain, as explained at http://creativecommons.org/publicdomain/zero/1.0/.</p>

IAR Software License Agreement

Dinkum C++ Library	<p>Dinkum Abridged/C Library Sub license</p> <p>Definition: The term “Licensed Source” shall mean the Dinkum Abridged Library source code, the Dinkum C Library source code and the Dinkum Abridged Library Reference, or a later version of the same products. A Sub license is granted solely in conjunction with, and for use with IAR C/EC++/C++ Cross Compiler owned by IAR Systems AB. The Sub Licensee shall supply to Dinkumware Ltd (“Licensor”) with the following protections:</p> <p>(a)Plauger’s ownership. a.Sub Licensee acknowledges and agrees that: *Title and all rights of ownership to the Licensed Source, and all copies of all or any part thereof, are and remain with Plauger; *Sub Licensee shall not lend, sell, lease, hypothecate or otherwise dispose of the Licensed Source. *All copies of the Licensed Source, or any part thereof, in any form whatsoever, including but not limited to, forms cognizable to the human eye (directly, or upon enlargement or translation), or to data processing or other equipment, shall be the sole and exclusive property of Plauger, as described immediately above; and *Licensor has represented that the Licensed Source may contain Licensor’s trade secrets and proprietary information, whether or not any portion thereof is or may be copyrighted or patented. b.Sub Licensee agrees to preserve unchanged all copyright notices in all copies of the Licensed Source. c.Licensor acknowledges and agrees that Sub Licensee shall have no obligation to deliver or disclose to Licensor any modifications that Sub Licensee makes to the Licensed Source, ant that Sub Licensee shall own and have exclusive marketing rights to any such undisclosed modifications. d.Sub Licensee acknowledges and agrees that any modifications that Sub Licensee makes to the Licensed Source and discloses to Licensor, unless otherwise indicated in writing by Sub Licensee on or before disclosure (“Disclosed Modifications”), shall become the property of Plauger. Disclosed Modifications to the Licensed Library Source shall become the property of Plauger. Sub Licensee hereby assigns to Plauger all of Sub Licensee’s right, title, and interest in and to such Disclosed Modifications and in and to the copyrights and all other rights in the Disclosed Modifications. (b) License. a.Licensor hereby grants to Sub Licensee a personal, non-exclusive, and non-transferable license to use or modify the Licensed Source for its own internal business purposes solely in conjunction with IAR C/EC++/C++ Cross Compiler owned by IAR Systems. b.Notwithstanding the foregoing, Sub Licensee may make only such copies of the Licensed Source as are reasonably necessary for it to exercise its right hereunder. Sub Licensee acknowledges that it may not sell, assign, sublicense, lease or otherwise transfer, or permit others to use or execute the Licensed Source, or any port thereof, or any modification or improvement of the Licensed Source, or any object code which is derived from the Licensed Source. c.Sub Licensee agrees to comply with all applicable laws, regulations, rulings, and executive order from the United States relating to the export or re-export of the Licensed Source, and with all applicable foreign laws which must be complied with in order to protect or preserve Licensor’s copyright(s), trade secret(s), and other proprietary rights in and to the Licensed Source. Sub Licensee agrees that it will not knowingly ship or divert the Licensed Source for use in any country which has ratified neither the Berne Copyright Convention nor the Universal Copyright Convention without first obtaining written permission from Licensor. (c)Warranty and Disclaimer of Warranty. a.Licensor warrants that, at the time of delivery, the Licensed Source will be in good operating condition and will be Standard Conforming in all essential respects. b.Licensor represents and warrants that it is not aware that the Licensed Source is created in whole or in part by violation of the protected trade secret of another or that the Licensed Source infringes any U.S. patent or copyright.</p> <p>c.THE FOREGOING LIMITED WARRANTIES ARE THE ONLY WARRANTIES OF LICENSOR TO SUB LICENSEE AND ARE IN LIEU OF ALL OTHER WARRANTIES, EXPRESS OR IMPLIED, INCLUDING, BUT NOT LIMITED TO, THE IMPLIED WARRANTIES OF MERCHANTABILITY AND FITNESS FOR A PARTICULAR PURPOSE.</p> <p>(d)Limitation of Liability. a.In no event shall Licensor be liable to Sub Licensee for any lost profits, incidental, special, exemplary, punitive, indirect or other consequential dam ages, even if Licensor knows or has been advised of the possibility of such damages, or for any claim against Sub Licensee by any other person or entity, or for any damage caused by Sub Licensee’s failure to perform its responsibilities.</p>
-------------------------------	--

Updated: 2013-02-15. IAR Systems AB.

Freescale MQX RTOS 4.0.2

IMPORTANT. Read the following Freescale Semiconductor Software License Agreement (“Agreement”) completely. By selecting the “I Accept” button below, you indicate that you accept the terms of this Agreement. You may then install the software.

FREESCALE SEMICONDUCTOR SOFTWARE LICENSE AGREEMENT

This is a legal agreement between you (either as an individual or as an authorized representative of your employer) and Freescale Semiconductor, Inc. (“Freescale”). It concerns your rights to use this file and any accompanying written materials (the “Software”). In consideration for Freescale allowing you to access the Software, you are agreeing to be bound by the terms of this Agreement. If you do not agree to all of the terms of this Agreement, do not download the Software. If you change your mind later, stop using the Software and delete all copies of the Software in your possession or control. Any copies of the Software that you have already distributed, where permitted, and do not destroy will continue to be governed by this Agreement. Your prior use will also continue to be governed by this Agreement.

LICENSE GRANT. Exclusively in conjunction with Licensee’s development and sale of a product containing a programmable processing unit (e.g., a microprocessor, microcontroller, or digital signal processor) supplied directly or indirectly from Freescale (“Freescale System”) and listed under “By Products” on the Freescale MQX website (www.freescale.com/mqx), Freescale grants to you, free of charge, the non-exclusive, non-transferable right (1) to use the Software, (2) to reproduce the Software, (3) to prepare derivative works of the Software, (4) to distribute the Software and derivative works thereof in object (machine-readable) form as part of a Freescale System, and (5) to sublicense to others the right to use the distributed Software as included within the Freescale System. You must prohibit your sublicensees from translating, reverse engineering, decompiling, or disassembling the Software except to the extent applicable law specifically prohibits such restriction. If you violate any of the terms or restrictions of this Agreement, Freescale may immediately terminate this Agreement, and require that you stop using and delete all copies of the Software in your possession or control.

COPYRIGHT. The Software is licensed to you, not sold. Freescale owns the Software, and United States copyright laws and international treaty provisions protect the Software. Therefore, you must treat the Software like any other copyrighted material (e.g. a book or musical recording). You may not use or copy the Software for any other purpose than what is described in this Agreement. Except as expressly provided herein, Freescale does not grant to you any express or implied rights under any Freescale or third-party patents, copyrights, trademarks, or trade secrets. Additionally, you must reproduce and apply any copyright or other proprietary rights notices included on or embedded in the Software to any copies or derivative works made thereof, in whole or in part, if any.

SUPPORT. Freescale is NOT obligated to provide any support, upgrades or new releases of the Software. If you wish, you may contact Freescale and report problems and provide suggestions regarding the Software. Freescale has no obligation whatsoever to respond in any way to such a problem report or suggestion. Freescale may make changes to the Software at any time, without any obligation to notify or provide updated versions of the Software to you.

NO WARRANTY. TO THE MAXIMUM EXTENT PERMITTED BY LAW, FREESCALE EXPRESSLY DISCLAIMS ANY WARRANTY FOR THE SOFTWARE. THE SOFTWARE IS PROVIDED “AS IS”, WITHOUT WARRANTY OF ANY KIND, EITHER EXPRESS OR IMPLIED, INCLUDING, WITHOUT LIMITATION, THE IMPLIED WARRANTIES OF MERCHANTABILITY, FITNESS FOR A PARTICULAR PURPOSE, OR NON-INFRINGEMENT. YOU ASSUME THE ENTIRE RISK ARISING OUT OF THE USE OR PERFORMANCE OF THE SOFTWARE, OR ANY SYSTEMS YOU DESIGN USING THE SOFTWARE (IF ANY). NOTHING IN THIS AGREEMENT MAY BE CONSTRUED AS A WARRANTY OR REPRESENTATION BY FREESCALE THAT THE SOFTWARE OR ANY DERIVATIVE WORK DEVELOPED WITH OR INCORPORATING THE SOFTWARE WILL BE FREE FROM INFRINGEMENT OF THE INTELLECTUAL PROPERTY RIGHTS OF THIRD PARTIES.

INDEMNITY. You agree to fully defend and indemnify Freescale from any and all claims, liabilities, and costs (including reasonable attorney’s fees) related to (1) your use (including your sublicensee’s use, if permitted) of the Software or (2) your violation of the terms and conditions of this Agreement.

LIMITATION OF LIABILITY. IN NO EVENT WILL FREESCALE BE LIABLE, WHETHER IN CONTRACT, TORT, OR OTHERWISE, FOR ANY INCIDENTAL, SPECIAL, INDIRECT, CONSEQUENTIAL OR PUNITIVE DAMAGES, INCLUDING, BUT NOT LIMITED TO, DAMAGES FOR ANY LOSS OF USE, LOSS OF TIME, INCONVENIENCE, COMMERCIAL LOSS, OR LOST PROFITS, SAVINGS, OR REVENUES TO THE FULL EXTENT SUCH MAY BE DISCLAIMED BY LAW.

COMPLIANCE WITH LAWS; EXPORT RESTRICTIONS. You must use the Software in accordance with all

applicable U.S. laws, regulations and statutes. You agree that neither you nor your licensees (if any) intend to or will, directly or indirectly, export or transmit the Software to any country in violation of U.S. export restrictions.

GOVERNMENT USE. Use of the Software and any corresponding documentation, if any, is provided with RESTRICTED RIGHTS. Use, duplication or disclosure by the Government is subject to restrictions as set forth in subparagraph (c)(1)(ii) of The Rights in Technical Data and Computer Software clause at DFARS 252.227-7013 or subparagraphs (c)(1) and (2) of the Commercial Computer Software – Restricted Rights at 48 CFR 52.227-19, as applicable. Manufacturer is Freescale Semiconductor, Inc., 6501 William Cannon Drive West, Austin, TX, 78735.

HIGH RISK ACTIVITIES. You acknowledge that the Software is not fault tolerant and is not designed, manufactured or intended by Freescale for incorporation into products intended for use or resale in on-line control equipment in hazardous, dangerous to life or potentially life-threatening environments requiring fail-safe performance, such as in the operation of nuclear facilities, aircraft navigation or communication systems, air traffic control, direct life support machines or weapons systems, in which the failure of products could lead directly to death, personal injury or severe physical or environmental damage (“High Risk Activities”). You specifically represent and warrant that you will not use the Software or any derivative work of the Software for High Risk Activities.

CHOICE OF LAW; VENUE; LIMITATIONS. You agree that the statutes and laws of the United States and the State of Texas, USA, without regard to conflicts of laws principles, will apply to all matters relating to this Agreement or the Software, and you agree that any litigation will be subject to the exclusive jurisdiction of the state or federal courts in Texas, USA. You agree that regardless of any statute or law to the contrary, any claim or cause of action arising out of or related to this Agreement or the Software must be filed within one (1) year after such claim or cause of action arose or be forever barred.

PRODUCT LABELING. You are not authorized to use any Freescale trademarks, brand names, or logos.

ENTIRE AGREEMENT. This Agreement constitutes the entire agreement between you and Freescale regarding the subject matter of this Agreement, and supersedes all prior communications, negotiations, understandings, agreements or representations, either written or oral, if any. This Agreement may only be amended in written form, executed by you and Freescale.

SEVERABILITY. If any provision of this Agreement is held for any reason to be invalid or unenforceable, then the remaining provisions of this Agreement will be unimpaired and, unless a modification or replacement of the invalid or unenforceable provision is further held to deprive you or Freescale of a material benefit, in which case the Agreement will immediately terminate, the invalid or unenforceable provision will be replaced with a provision that is valid and enforceable and that comes closest to the intention underlying the invalid or unenforceable provision.

NO WAIVER. The waiver by Freescale of any breach of any provision of this Agreement will not operate or be construed as a waiver of any other or a subsequent breach of the same or a different provision.

ROBINAIR



Instrucciones originales

Modelos: 34988NI, 34988NI-230



Máquina de recuperación, reciclado y recarga
para sistemas de A/C R-134a

Descripción: Máquina de recuperación, reciclado y recarga para utilizar con los sistemas de aire acondicionado equipados con refrigerante R-134a.

INFORMACIÓN SOBRE EL PRODUCTO

Registre el número de serie y el año de fabricación de esta unidad para consultas futuras. Consulte la etiqueta de identificación del producto en la unidad para obtener información.

Número de serie: _____ Año de fabricación: _____

DESCARGO DE RESPONSABILIDAD: La información, ilustraciones y especificaciones que se incluyen en este manual se basan en la información más reciente disponible al momento de la publicación. Nos reservamos el derecho de hacer cambios en cualquier momento, sin estar obligados a notificar a ninguna persona u organización sobre dichas revisiones o cambios. Además, ROBINAIR no será responsable por los errores incluidos aquí, por daños circunstanciales o daños y perjuicios (incluso pérdidas de beneficios) relacionadas con el suministro, rendimiento o uso de este material. Si fuera necesario, obtenga información adicional sobre salud y seguridad de las agencias del gobierno adecuadas, y de los fabricantes del vehículo, refrigerante y lubricante.

Precauciones de seguridad	2	Mantenimiento	24
Explicación de las palabras de señalización de seguridad que se utilizan en este manual	2	Programa de mantenimiento	24
Explicación de las calcomanías de seguridad que se utilizan en la máquina	2	Carga del idioma	25
Dispositivos de protección	4	Ajuste del objetivo de llenado de reserva	26
Prueba del tanque de refrigerante	4	Llenado del tanque	26
Introducción	5	Mantenimiento del filtro	27
Especificaciones técnicas	5	Revisión de la capacidad restante del filtro	27
Funciones	6	Reemplazo del filtro	28
Funciones del panel de control	8	Verificación de la calibración	29
Leyenda de símbolos	9	Cambio del aceite de la bomba de vacío	30
Funciones del menú de configuración	10	Verificación de fugas	31
Configuración inicial	11	Edición del encabezado de la impresión	32
Desempaque de la máquina	11	Reemplazo del papel de la impresora	32
Desempaque del kit de accesorios	11	Función del servicio de A/C	33
Kit de accesorios	11	Partes de reemplazo	33
Encendido de la máquina	11	Glosario	33
Selección del idioma	12	Solución de problemas	34
Selección de las unidades	12	Almacenamiento y transporte del equipo	37
Fijación de la fecha y hora	12	Almacenamiento	37
Edición del encabezado de la impresión	12	Transporte del equipo	37
Vacío de servicio	13	Desecho del equipo	38
Ajuste del objetivo de llenado de reserva	13	Desecho de materiales reciclados	38
Llenado del tanque	13	Desecho de la máquina	38
Activación de unidad	15	Desecho de las baterías	38
Instrucciones de funcionamiento	16		
Ingreso de datos servicio	16		
Recuperación de refrigerante de un vehículo	17		
Vaciado del sistema de A/C del vehículo	18		
Limpieza de las mangueras	19		
Recarga del sistema de A/C del vehículo	20		
Función automática	21		
Limpieza del sistema	22		

Precauciones de seguridad

Explicación de las palabras de señalización de seguridad que se utilizan en este manual

Las palabras de señalización de seguridad designan el grado, o nivel, de la gravedad del peligro.

 **PELIGRO:** indica una situación peligrosa inminente que, si no se evita, resultará en la muerte o en lesiones graves.

 **ADVERTENCIA:** indica una situación potencialmente peligrosa que, si no se evita, puede resultar en la muerte o en lesiones graves.

 **PRECAUCIÓN:** indica una situación potencialmente peligrosa que, si no se evita, podría resultar en una lesión menor o moderada.

PRECAUCIÓN: utilizada sin el símbolo de alerta de seguridad indica una situación potencialmente peligrosa que, si no se evita, podría causar daño a la propiedad.

Estos mensajes de seguridad abarcan situaciones que Robinair conoce. Robinair no puede conocer, evaluar ni advertirle sobre todos los posibles peligros. El usuario debe verificar que las condiciones y procedimientos no pongan en peligro su seguridad personal.

Explicación de las calcomanías de seguridad que se utilizan en la máquina

	Lea detenidamente las instrucciones.
	No la utilice al aire libre en caso de lluvia o mucha humedad.
	Utilice guantes.
	Utilice gafas de protección.
	Voltaje alterno.
	Protección de toma a tierra.
	Peligro de descarga eléctrica.

Precauciones de seguridad



ADVERTENCIA: Para prevenir lesiones personales:



SOLO PERMITA A PERSONAL DEBIDAMENTE PREPARADO OPERAR LA MÁQUINA. Antes de poner a funcionar la máquina, lea y siga las instrucciones y advertencias de este manual. El operador debe estar familiarizado con los sistemas de aire acondicionado y refrigeración, refrigerantes y los peligros de los componentes presurizados. Si el operador no puede leer este manual, las instrucciones de funcionamiento y las precauciones de seguridad se deben leer y discutir en el idioma materno del operador.



UTILICE LA MÁQUINA SEGÚN SE DESCRIBE EN ESTE MANUAL. Si se utiliza la máquina de alguna manera para la cual no fue diseñada se compromete a la máquina y se anulan las protecciones proporcionadas.



EL TANQUE PRESURIZADO CONTIENE REFRIGERANTE LÍQUIDO. No llene excesivamente el depósito de almacenamiento interno (ISV), si lo hace puede provocar una explosión que ocasione lesiones personales o la muerte. No recupere los refrigerantes en recipientes que no se pueden volver a llenar; utilice únicamente recipientes recargables que hayan sido aprobados y que tengan válvulas de liberación de presión.



LAS MANGUERAS PUEDEN CONTENER REFRIGERANTE LÍQUIDO A PRESIÓN. El contacto con el refrigerante puede ocasionar lesiones personales, incluyendo ceguera y congelación de la piel. Utilice equipo de protección, incluyendo gafas y guantes. Desconecte las mangueras con extremo cuidado. Asegúrese de que la fase se haya completado antes de desconectar la máquina para evitar la liberación de refrigeración en la atmósfera.



EVITE INHALAR EL VAPOR O ROCÍO DEL REFRIGERANTE Y LUBRICANTE DEL ACONDICIONADOR DE AIRE. La exposición podría irritar los ojos, la nariz y la garganta. Para eliminar el refrigerante del sistema de A/C, use solamente equipo certificado para el tipo de refrigerante que eliminó. Utilice la unidad en lugares con ventilación mecánica que renueve el aire por lo menos 4 veces por hora. Si ocurre una descarga accidental del sistema, ventile el área de trabajo antes de reanudar el servicio.

NO DISPERSE REFRIGERANTE EN EL AMBIENTE. Evite la posible presencia de refrigerante en el entorno de trabajo.



PARA REDUCIR EL RIESGO DE INCENDIO, no utilice la unidad cerca de recipientes que se hayan derramado o estén abiertos y que contengan gasolina u otras sustancias inflamables.

PARA REDUCIR EL RIESGO DE INCENDIO, no utilice una extensión. Una extensión se puede sobrecalentar y provocar un incendio. Si debe utilizar una extensión, utilice la extensión más corta posible con un calibre mínimo de 14 AWG.

PARA REDUCIR EL RIESGO DE INCENDIO, no utilice la máquina cerca de llamas ni superficies calientes. El refrigerante se puede descomponer a temperaturas altas y puede liberar sustancias tóxicas al ambiente que pueden ser nocivas para el usuario.

PARA REDUCIR EL RIESGO DE INCENDIO, no utilice la máquina en entornos que contengan vapores o gases explosivos.

PARA REDUCIR EL RIESGO DE INCENDIO no utilice esta máquina en áreas o zonas clasificadas ATEX. Proteja la máquina de condiciones que puedan causar fallas eléctricas u otros peligros relacionados con la interacción con el ambiente.



PRECAUCIÓN — NO REALICE PRUEBAS DE PRESIÓN O PRUEBAS DE FUGAS EN EL EQUIPO Y/O LOS SISTEMAS DE AIRE ACONDICIONADO DEL VEHÍCULO CON AIRE COMPRIMIDO. Las mezclas de aire y el refrigerante R-134a pueden ser combustibles a presiones elevadas. Estas mezclas son potencialmente peligrosas y pueden provocar incendios o explosiones así como lesiones personales y/o daños a la propiedad.



LA ELECTRICIDAD DE ALTO VOLTAJE DENTRO DE LA MÁQUINA PRESENTA UN RIESGO DE DESCARGA ELÉCTRICA. La exposición puede ocasionar lesiones personales. Desconecte la energía antes de dar servicio a la máquina.

NUNCA DEJE LA MÁQUINA ENCENDIDA SI NO LA VA A UTILIZAR DE INMEDIATO. Desconecte el suministro eléctrico antes de un período de inactividad prolongado o antes de realizar el mantenimiento interno.

NO MODIFIQUE LA VÁLVULA DE LIBERACIÓN DE PRESIÓN NI CAMBIE LAS CONFIGURACIONES DEL SISTEMA DE CONTROL. Si se utiliza la máquina de alguna manera para la cual no fue diseñada se compromete a la máquina y se anulan las protecciones proporcionadas.

Se puede obtener información adicional sobre salud y seguridad de los fabricantes del refrigerante y lubricante.

Precauciones de seguridad

PRECAUCIÓN : para evitar daños en el equipo,



PARA EVITAR LA CONTAMINACIÓN CRUZADA, UTILICE ESTA MÁQUINA CON REFRIGERANTE R-134A ÚNICAMENTE. La máquina está equipada con conectores especiales para recuperar, reciclar y recargar el refrigerante R-134a únicamente. No intente adaptar la máquina para otro refrigerante. No mezcle tipos de refrigerante en el sistema ni en el mismo recipiente, ya que ocasionaría daños graves a la máquina y al sistema de aire acondicionado del vehículo.

NO UTILICE ESTA MÁQUINA BAJO LA LUZ DIRECTA DEL SOL. Ubique la máquina lejos de fuentes de calor, como la luz directa del sol, que puede causar temperaturas excesivas. El uso de esta máquina en condiciones ambientales normales (de 10°C a 50°C) mantiene las presiones bajo límites razonables.



NO UTILICE ESTA MÁQUINA EN EL EXTERIOR SI LLUEVE O HAY MUCHA HUMEDAD. Proteja la máquina contra condiciones que puedan causar fallas eléctricas u otros peligros relacionados con la interacción con el ambiente.

NO UTILICE ESTA MÁQUINA EN ÁREAS DONDE HAYA RIESGO DE EXPLOSIONES.

INSTALE LA MÁQUINA EN UNA SUPERFICIE PLANA Y DONDE HAYA SUFICIENTE ILUMINACIÓN. BLOQUEE LAS RUEDAS DELANTERAS Y NO SOMETA LA MÁQUINA A VIBRACIONES.

PARA EVITAR INCOMPATIBILIDADES QUÍMICAS CON LOS COMPONENTES INTERNOS DE LA MÁQUINA, SOLO UTILICE ACEITES APROBADOS POR EL FABRICANTE DEL VEHÍCULO. Si ocurren problemas a causa del uso de aceites no aprobados, se anulará la garantía.

Se puede obtener información adicional sobre salud y seguridad de los fabricantes del refrigerante y lubricante.

Dispositivos de protección

La máquina está equipada con los siguientes dispositivos de protección:

- Válvulas de sobrepresión.
- Un interruptor de presión máxima detiene el compresor cuando se detecta presión excesiva.



ADVERTENCIA: la alteración de estos dispositivos de protección podría provocar lesiones graves.

Prueba del tanque de refrigerante

Los registros oficiales y las pruebas periódicas necesarias para los instrumentos presurizados son controlados por leyes y/o regulaciones nacionales según el país donde se utilice el tanque de refrigerante. El gerente del sistema es responsable de hacer cumplir las leyes, regulaciones y reglas técnicas. Durante el servicio normal, los tanques de refrigerante no necesitan mantenimiento. Consulte la sección Mantenimiento de este manual para obtener más información.

Esta máquina se utiliza en todos los vehículos que usan R-134a y está diseñada para que sea compatible con el equipo de servicio existente y con procedimientos de servicio estándar. Esta máquina es un sistema de paso único (es decir, el refrigerante fluye una vez a través del filtro) que cumple con las especificaciones para refrigerante reciclado. Siga los procedimientos de servicio recomendados para depositar el R-134a.

Nota: los sistemas refrigerantes requieren aceites especiales. Consulte el manual de servicio del fabricante del sistema de A/C para obtener las especificaciones del aceite.

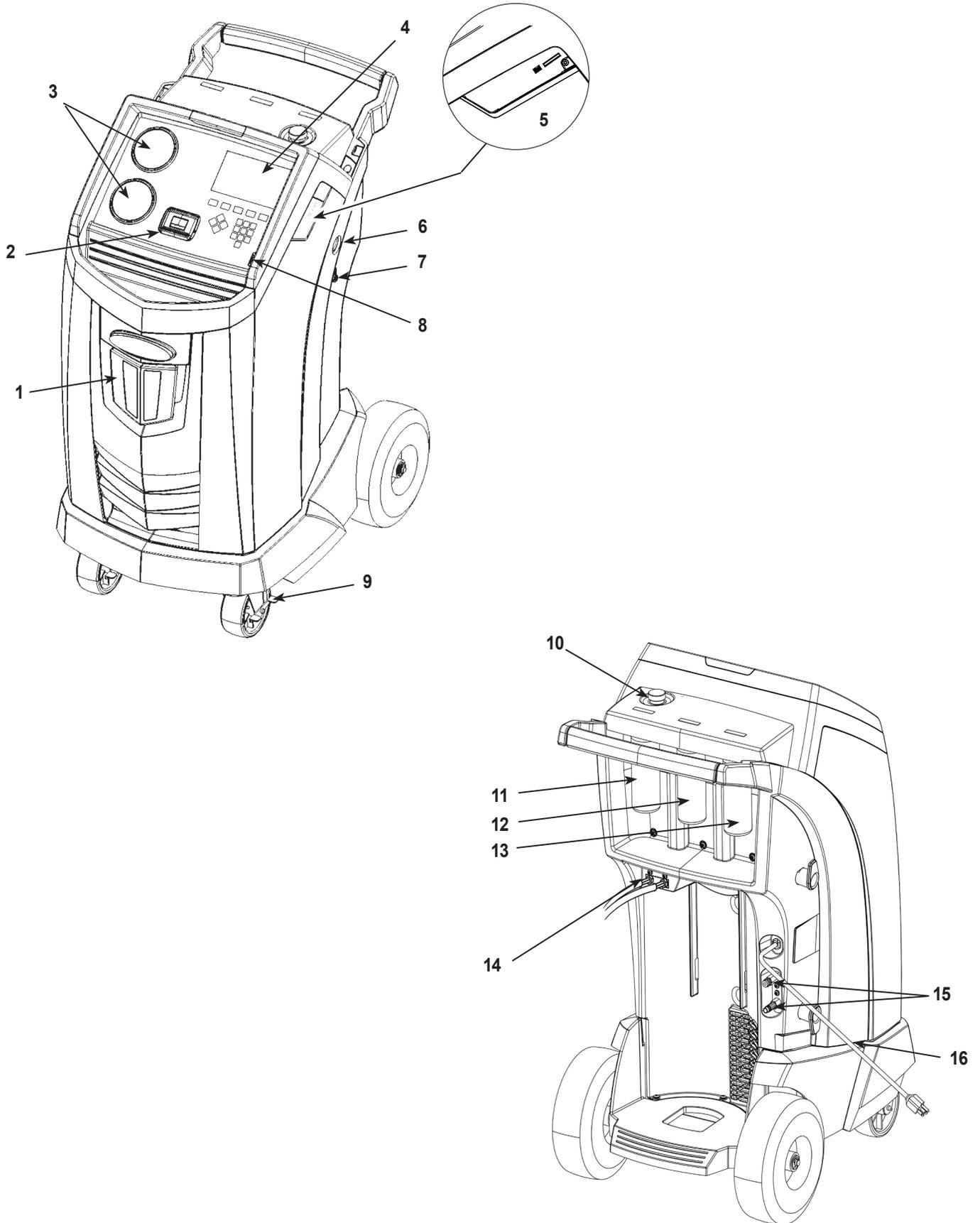


Especificaciones técnicas

Dimensiones	107 cm × 61 cm × 76 cm
Pantalla	LCD gráfica de 17,8 cm (7 pulg.)
Filtro	68 kg (150 lb)
Humedad32,2 °C (90 °F), 80% de humedad relativa sin condensación
Manómetro	Ø 100 mm (3.9 pulg.)
Presión máxima	27 bares (390 PSI)
Ruido	<70 dB(A)
Voltaje nominal	
34988NI115V, 60 Hz
34988NI-230230V, 50/60 Hz
Capacidad de la botella de aceite	355 ml (12 oz)
Temperatura de funcionamiento	de 10 °C a 50 °C (de 50 °F a 122 °C)
Consumo de energía	1380 VA
Desplazamiento de aire libre en la bomba de vacío	
.....	42 L/m (1.5 pies cúbicos por minuto) @ 60 Hz
.....	35 L/m (1.25 pies cúbicos por minuto) @ 50 Hz
Mangueras de servicio250 cm / SAE J2196
Capacidad del tanque	10 kg (22 lb)
Peso73 kg (161 lb)

Introducción

Funciones



Artículo n.º	Descripción
1	Botella de drenaje de aceite
2	Impresora
3	Manómetros de lado bajo (azul) y lado alto (rojo)
4	Pantalla gráfica y teclado
5	Conexiones para USB y tarjeta SD; (vista detallada sin la cubierta protectora)
6	Visor del aceite de la bomba de vacío
7	Conector de drenaje de aceite de la bomba de vacío
8	Interruptor de energía
9	Seguro de rueda
10	Puerto y tapa de llenado de aceite de la bomba de vacío
11	Botella 1 de inyección de aceite
12	Botella 2 de inyección de aceite
13	Botella de inyección de tinte UV
14	Mangueras de servicio
15	Puertos de almacenamiento de la manguera de servicio
16	Cable de energía

Introducción

Funciones del panel de control

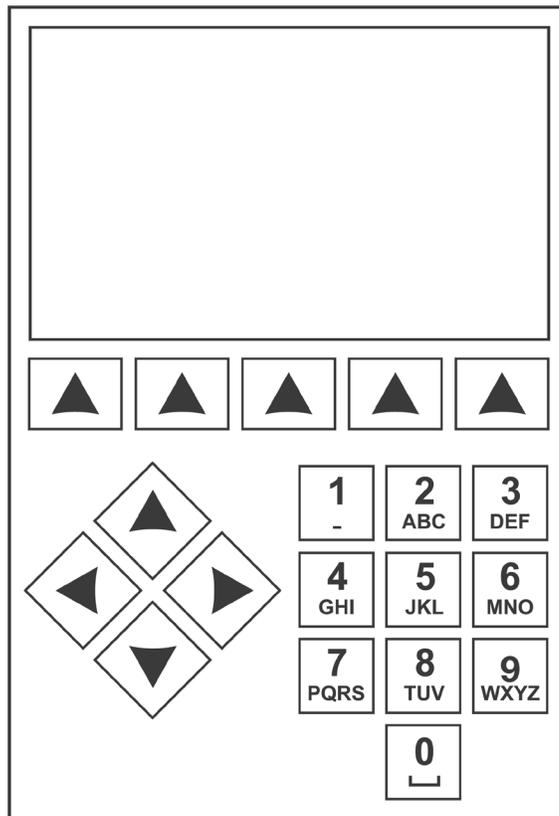
FLECHA ARRIBA resalta el elemento anterior.

FLECHA ABAJO resalta el elemento siguiente.

FLECHA DERECHA desplaza a la pantalla siguiente.

FLECHA IZQUIERDA desplaza a la pantalla anterior.

FLECHAS DE SELECCIÓN sirven para hacer una selección o responder a una solicitud.



Teclado del panel de control

Leyenda de símbolos



SÍMBOLO DE AUTOMÁTICO (AUTOMATIC)

Al presionar la tecla bajo este icono comenzará automáticamente el proceso de recuperación de refrigerante, vacío y carga.



SÍMBOLO DE RECUPERACIÓN (RECOVER)

Al presionar la tecla bajo este icono comenzará el proceso de recuperación de refrigerante.



SÍMBOLO DE VACÍO (VACUUM)

Al presionar la tecla bajo este icono comenzará el proceso de vaciado del sistema.



SÍMBOLO DE CARGA (CHARGE)

Al presionar la tecla bajo este icono comenzará el proceso de carga de refrigerante.



SÍMBOLO DE SIGUIENTE/ ADELANTE (NEXT)

Al presionar la tecla bajo este icono ofrecerá las opciones de selección de menú adicionales o continuará a un paso adicional en una función o proceso.



SÍMBOLO DE ATRÁS (BACK)

Al presionar la tecla bajo este icono regresará a las opciones de selección de menú anteriores o regresará a la pantalla anterior dentro de una función o proceso.



SÍMBOLO DE AYUDA (HELP)

Al presionar la tecla bajo este icono proporcionará ayuda e información correspondiente a la pantalla actual y/o función que se muestra o realiza.



SÍMBOLO DE BASE DE DATOS (DATABASE)

Al presionar la tecla bajo este icono iniciará el proceso de recuperación de la base de datos de vehículos.



SÍMBOLO DE MENÚ DE CONFIGURACIÓN (SETUP MENU)

Al presionar la tecla bajo este icono entrará en el menú de configuración.



SÍMBOLO DE SÍ/ACEPTAR

Al presionar la tecla bajo este icono se aceptará cualquier selección realizada en la pantalla actual y continuará al siguiente paso de esta función.



SÍMBOLO DE NO/CERRAR

Al presionar la tecla bajo este icono se rechazará cualquier selección realizada en la pantalla actual y regresará al paso anterior de la función o menú principal.



SÍMBOLO DE REINTENTAR

Al presionar la tecla bajo este icono se reintentará el proceso o función actual.



SÍMBOLO DE SELECCIÓN DE RUTA DE CARGA

Al presionar la tecla bajo este icono se cambiará la ruta deseada de la carga del refrigerante entre el lado alto, lado bajo o ambos lados.



SÍMBOLO DE SELECCIÓN DE BOTELLA DE INYECCIÓN DE ACEITE

Al presionar la tecla bajo este icono cambiará la botella que se utilizará para inyectar aceite durante la carga siguiente.



SÍMBOLO DE ENCENDER/APAGAR

Al presionar la tecla bajo este icono se cambiará la función resaltada de entre encendido y apagado según requiera.



SÍMBOLO DE RETROCESO

Al presionar la tecla bajo este icono se borrará un carácter de texto a la izquierda de la selección actual.



SÍMBOLO DE PAUSA

Al presionar la tecla bajo este icono se pausará el proceso actual.



SÍMBOLO DE CONTINUAR

Al presionar la tecla bajo este icono continuará el proceso que se pausó.



SÍMBOLO DE IMPRIMIR

Al presionar la tecla bajo este icono se imprimirá un resumen correspondiente al proceso actualmente completado.



SÍMBOLO DE BORRAR

Al presionar la tecla bajo este icono se borrará una entrada seleccionada de la memoria en la máquina.



SÍMBOLOS DE CAMBIAR UNIDADES



Al presionar la tecla bajo uno de estos iconos se cambiará las unidades de medida para el campo de entrada actual.

Introducción

Funciones del menú de configuración

Acceda a las siguientes funciones presionando la tecla Menú y seleccionando Configuración.

Control calibrac (Verificación de la calibración)

Se utiliza para verificar la calibración de balanza interna. Consulte Verificación de la calibración en la sección Mantenimiento de este manual del usuario.

Editar encabe imp

(Edición del encabezado de la impresión)

Programa la información que aparecerá en la hoja impresa cada vez que utilice la función de imprimir.

Mantenim filtro (Mantenimiento del filtro)

El filtro elimina el ácido, las partículas y la humedad del refrigerante. Para cumplir con los requerimientos, es obligatorio que reemplace el filtro después de que ha filtrado 68 kg (150 lb) de refrigerante.

Este elemento de menú muestra la capacidad restante del filtro hasta que la máquina se bloquee y deje de funcionar. Consulte Mantenimiento del filtro en la sección Mantenimiento.

Lavar mangu (Limpieza de mangueras)

Limpia el aceite residual de las mangueras de servicio de la máquina para prepararla para el servicio del siguiente vehículo.

Menú producc (Menú de fabricación)

Solo para el uso de la producción de Robinair.

Mantenimie bomba (Mantenimiento de la bomba)

Muestra la cantidad de tiempo restante antes de que sea necesario volver a cambiar el aceite de la bomba de vacío. Para lograr un rendimiento máximo de la bomba de vacío, cambie el aceite de la bomba de vacío cada vez que se reemplace el filtro. Consulte las instrucciones en Cambio del aceite de la bomba de vacío en la sección Mantenimiento.

Manejo refrigerante (Manejo de refrigerante)

Muestra la cantidad de refrigerante recuperado, cargado y reabastecido (durante la vida útil de la máquina), y filtrado desde el último cambio de filtro.

Nombre de botella de aceite (Nombre bot ace)

Las designaciones estándar de la botella de inyección de aceite son Botella 1 y Botella 2. Esta función permite al usuario cambiar el nombre de la botella para especificar el tipo/viscosidad.

Selecc idioma (Selección del idioma)

Selecciona un idioma para los avisos de la pantalla. El inglés es el idioma predeterminado.

Menú servic (Menú de servicio)

Sólo para uso del centro de servicio Robinair.

Sel unidad (Selección de las unidades)

Programe la máquina para que muestre las unidades de medida en kilogramos o libras. La pantalla predeterminada está en kilogramos.

Fecha y hora

Programa la máquina para la fecha y hora actuales.

Lava sistema (Limpieza del sistema)

Proporciona un método para eliminar el aceite al forzar el refrigerante líquido a través del sistema de A/C o a través de los componentes del sistema de A/C. Después del lavado, la máquina recupera el refrigerante y lo filtra por medio del circuito de reciclaje.

Datos sistema (Información del sistema)

Muestra el nivel de revisión del software de la máquina.

De lleno (Llenado del tanque)

Use este elemento del menú de configuración para transferir refrigerante de un tanque fuente al ISV. El valor de llenado del tanque se puede ajustar hacia arriba o hacia abajo para satisfacer las necesidades del usuario. Consulte Llenado del tanque en la sección Mantenimiento.

Activ. de unidad (Activación de unidad)

El no registrar y activar la máquina durante los 30 días siguientes del encendido inicial hará que la máquina se bloquee y deje de funcionar. Seleccione este elemento del menú de configuración y siga las instrucciones antes del vencimiento del período de prueba.

Ver datos servi (Visualización de datos de servicio)

Muestra la información del vehículo que se introdujo en la pantalla Ingresar datos de servicio. Se muestran los vehículos por fecha de servicio y número VIN. La base de datos almacena 25 entradas de VIN.

Compenr mangu (Ecuilización de manguera)

Use este elemento del menú de configuración para recuperar refrigerante de las mangueras de servicio y enviarlo de nuevo al sistema de A/C. Este elemento es útil después de realizar los diagnósticos que no requieren recuperar el sistema de A/C en la máquina RRR. Se le pedirá al usuario que conecte la manguera de servicio del lado bajo en el puerto apropiado y que inicie el sistema de A/C del vehículo en máximo.

Desempaque de la máquina

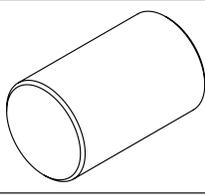
1. Retirar las bandas de la caja.
2. Extraiga el pliegue de cartón superior, la bandeja de pasta de papel moldeada y los esquineros.
3. Quite la manga del pliegue de cartón inferior.
4. Con cuidado, rodar la unidad hacia adelante para retirarla de la paleta; evitar sacudir bruscamente la máquina.



ADVERTENCIA: para prevenir lesiones personales mientras trabaja con el refrigerante, lea y siga las instrucciones y advertencias de este manual, y utilice equipos de protección como gafas y guantes.

Desempaque del kit de accesorios

Saque el kit de accesorios de la caja y retire el empaque de plástico.

<p>Peso de calibración 533 g (1.18 lb)</p>	
<p>Bolsa que contiene una tarjeta de garantía que se debe llenar y enviar por correo, SDS (hojas de datos de seguridad), información de la EPA, información de MACS y un listado de centros de servicio.</p>	

Encendido de la máquina

1. Desenrolle el cable de energía de la manija y conéctelo a una toma de corriente de voltaje adecuado y conectado a tierra.
2. Ubique la máquina de manera que el operador pueda acceder fácilmente al enchufe y al interruptor de energía principal. Verifique que las ranuras del ventilador en la parte posterior de la máquina no estén obstruidas.
3. Bloquee las ruedas delanteras.
4. Encienda el interruptor de energía en el panel de control y encienda la máquina.

La máquina realiza el modo de Configuración inicial.

Configuración inicial

Selección del idioma

El operador selecciona el idioma para las visualizaciones de los avisos de la pantalla. El inglés es el idioma predeterminado.

1. Utilice las teclas de flecha **ARRIBA** o **ABAJO** para desplazarse por los idiomas disponibles uno a la vez.
2. Presione ✓ para configurar el idioma seleccionado.

Nota: para actualizar el idioma actual o agregar uno nuevo, consulte Carga del idioma en la sección Mantenimiento de este manual.

Selección de las unidades

El operador configura la visualización para las unidades de medida. La unidad métrica es la opción predeterminada.

3. Utilice las teclas de flecha **ARRIBA** o **ABAJO** para alternar entre las unidades inglesas o métricas.
4. Presione ✓ para elegir la unidad de medida mostrada.

Fijación de la fecha y hora

Utilice las teclas de flecha para mover el cursor. Seleccione el teclado para modificar las información que se muestra.

5. Utilice las teclas de flecha **ARRIBA** o **ABAJO** para seleccionar el elemento que desea cambiar: día, mes, año u hora. Seleccione **I/O** para alternar entre AM y PM.
6. Utilice la interfaz de pulsaciones múltiples en el teclado numérico para modificar la información.
7. Seleccione ✓ para guardar.

Edición del encabezado de la impresión

Esta máquina tiene la capacidad de almacenar información de recuperación, vaciado, carga y descarga para hasta 25 vehículos. La información cargada en Edición de encabezado de impresión aparecerá en cada impresión.

1. Introduzca texto usando las flechas y la interfaz de pulsaciones múltiples en el teclado numérico:
 - La tecla de flecha **IZQUIERDA** y la tecla **X** funcionan como la tecla de retroceso.
 - La tecla de flecha **DERECHA** mueve el cursor a la derecha.
 - **0 (CERO)** funciona como la barra espaciadora cuando se presiona dos veces.
 - Las teclas de flechas **ARRIBA** y **ABAJO** navegan entre las filas.
2. Pulse la tecla ✓ para salir/guardar la función; pulse la tecla **X** para regresar al encabezado anterior sin guardar los datos.

Vacío de servicio

En este punto, la máquina limpia su tubería interna antes de continuar con la configuración.

1. Revise el vidrio visor del nivel de aceite de la bomba de vacío y verifique que el nivel esté en el centro del vidrio visor.
2. Cuando se le indique, conecte las mangueras de servicio de la máquina a sus puertos de almacenamiento como se muestra en la Figura 1. Seleccione ►► para continuar.
3. La máquina inicia un vacío de 5 minutos y luego automáticamente iniciará el siguiente proceso de configuración cuando termine.

Ajuste del objetivo de llenado de reserva

Esta máquina contiene una característica de llenado del tanque de reserva. Se puede conectar el depósito de almacenamiento externo de refrigerante a la máquina (mediante la manguera negra de llenado del tanque) para un llenado continuo del depósito interno. Al tomar refrigerante del depósito de almacenamiento externo conectado, la máquina cargará periódicamente el tanque ISV al objetivo de llenado deseado.

Use las flechas y el teclado numérico para introducir un número objetivo de llenado (el valor predeterminado es 4,54 kg).

Llenado del tanque

Mediante este procedimiento se transfiere refrigerante desde el tanque fuente al depósito de almacenamiento interno (ISV) en la máquina. La capacidad máxima del ISV es 10 kg (22 lb). Utilice las teclas de flecha para mover el cursor, use el teclado para introducir la cantidad.

1. La máquina muestra los campos para la cantidad deseada de llenado del tanque, capacidad de carga y cantidad de refrigerante recuperable (capacidad de recuperación) dentro del depósito de almacenamiento interno. Introduzca la cantidad deseada para llenar el tanque.

Nota: agregue por lo menos 3,6 kg de refrigerante para asegurarse de que haya suficiente para cargar.

2. Conecte la manguera de llenado del tanque (negra) al conector de líquido en el tanque fuente.
3. Abra la válvula del tanque fuente.
4. Ubique el tanque fuente de tal manera que el refrigerante líquido se suministre a la conexión.



ADVERTENCIA: para prevenir lesiones personales mientras trabaja con el refrigerante, lea y siga las instrucciones y advertencias de este manual, y utilice equipos de protección como gafas y guantes.

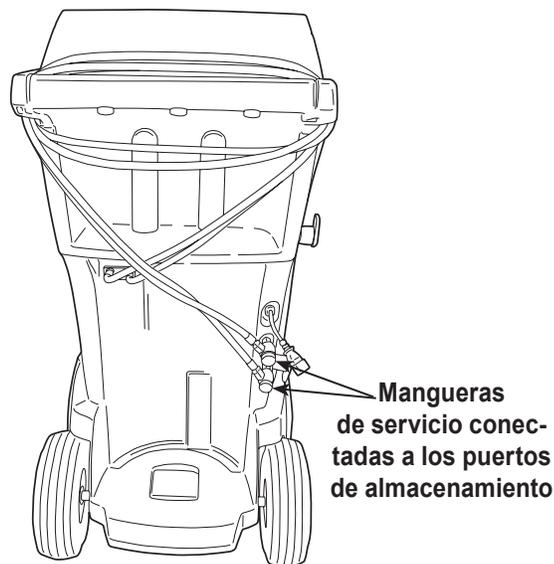


Figura 1

Nota:

Capacidad de carga: la cantidad de refrigerante en el ISV que se puede cargar en el sistema de A/C del vehículo.

Capacidad de recuperación: la cantidad de refrigerante que se puede recuperar en el ISV.

Configuración inicial

5. Seleccione ✓ para comenzar el proceso del llenado del tanque. La máquina comienza a llenar el depósito de almacenamiento interno (ISV). Agregue por lo menos 3,6 kg de refrigerante para asegurarse de que haya suficiente para cargar. Este proceso toma de 15 a 20 minutos.
6. La máquina se detiene cuando se ha transferido la cantidad designada de refrigerante al ISV o cuando el tanque fuente está vacío. Siga los mensajes en la pantalla de visualización.
7. Cierre la válvula fuente del tanque.
8. Seleccione ✓ para regresar al menú de configuración.

La máquina está lista para funcionar.

Nota:

- *no es necesario calibrar la balanza, se calibró en la fábrica.*
- *Una vez que el proceso de llenado del tanque está completo, la pantalla no muestra la misma cantidad que el nivel de llenado programado.*

La pantalla muestra la cantidad de refrigerante que está disponible para la carga, que es aproximadamente 0,67 kg (1.4 lb) menos que la cantidad total de refrigerante en el tanque.

Activación de unidad

El no registrar y activar la máquina durante los 30 días siguientes del encendido inicial hará que la máquina se bloquee y deje de funcionar.

1. Seleccione Activación unidad del menú de configuración
La máquina muestra:

días rest. periodo prueba
para activar unidad.
¿Activar?

2. Seleccione para comenzar el proceso de activación. La máquina muestra:

ACTIVACIÓN PRODUC

Código prod personal:
XXXXXXXXXXXX

Intr. cóni:
XXXXXXXXXXXX

3. Abra un navegador web en una computadora personal e introduzca <https://register.servicesolutionportal.com>.
4. Introduzca el nombre de usuario y contraseña para conectarse al sitio de Internet.
Nota: si es la primera vez que usa el sitio, seleccione REGISTER (Registro) para crear un nombre de usuario y contraseña.
5. En la computadora personal, introduzca el Código personal del producto de la máquina en la casilla para la clave de Activación del producto en el sitio web para recibir el código de activación
6. En la máquina, introduzca el código de activación en el campo correcto. Nota: introduzca el código exactamente como lo recibió. se requiere el uso de mayúsculas.
7. Anote el código de activación del producto en un papel y guárdelo en un lugar seguro. Seleccione .
8. La máquina muestra:

ACTIVACIÓN EXITOSA.

Seleccione **▶▶**. La máquina ha sido activada.

Instrucciones de funcionamiento

Ingreso de datos servicio

Después de seleccionar cualquier función de servicio, se puede introducir y almacenar información del vehículo en la base de datos de la máquina.

La máquina muestra:

Intr. datos servic nuevo

1. Seleccione ✓ para introducir un nuevo registro o desplace a un vehículo que ha sido reparado anteriormente y luego seleccione ✓. La selección resaltada aparecerá en rojo. La máquina muestra:

Intr. datos servic

VIN: _____

MILLAJE: _____

MAR: _____

MODEL: _____

2. Use las teclas de flecha para desplazar entre las filas y el teclado de pulsaciones múltiples para introducir texto.

La información que se introduce en esta pantalla se almacena por fecha y por número de identificación del vehículo (VIN). La base de datos almacena las 25 entradas más recientes, con la más reciente en la parte superior de la lista.

La información también aparecerá en las hojas impresas con el resumen del servicio.

Instrucciones de funcionamiento



Recuperación de refrigerante de un vehículo

1. Vacíe la botella de drenaje de aceite antes de comenzar una recuperación. Retire la botella de drenaje de aceite de la máquina tirando de la botella verticalmente hacia abajo; no haga un movimiento de giro o balanceo. Vuelva a instalar la botella de drenaje de aceite. Consulte Figura 2.

Nota: tenga cuidado al retirar/instalar la botella de drenaje de aceite. La fuerza excesiva puede dañar la celda de carga interna.

2. Conecte las mangueras de servicio de lado alto (rojo) y de lado bajo (azul) al sistema de A/C del vehículo.
3. Abra las válvulas del acoplador en las mangueras al rotar los collarines hacia la derecha.
4. Seleccione **RECUPE**  del **MEN PRINC..**
5. La máquina mostrará el formulario de introducción de datos de servicio. Introduzca todos los datos necesarios y seleccione para continuar.
6. La máquina preguntará si desea registrar las presiones de diagnóstico. Seleccione para continuar el proceso de recuperación o seleccione para grabar las presiones de funcionamiento del sistema de AC del vehículo. Siga las indicaciones en la pantalla y las especificaciones del manual de servicio del vehículo para continuar.

La máquina comienza el proceso de recuperación. El sonido de clic indica que el solenoide se está abriendo y cerrando, esto es normal.

La máquina ejecuta un ciclo de limpieza automática para limpiar cualquier refrigerante interno que haya quedado en su tubería interna.

La recuperación del sistema comienza e incluye un proceso de vacío temporizado y recuperación profunda.

Después de la recuperación, la máquina realiza el drenaje de aceite, que puede tardar hasta 90 segundos en completarse.

7. Después de que se completa el drenaje de aceite, aparece un resumen que muestra la cantidad recuperada de refrigerante y aceite. La información de recuperación y los diagnósticos previos a la recuperación se pueden imprimir al seleccionar . Seleccione **▶▶** para regresar al menú principal.

Nota: el peso recuperado que se muestra puede variar dependiendo de las condiciones del ambiente y no se debe utilizar como indicador de exactitud de la balanza.



ADVERTENCIA: para prevenir lesiones personales mientras trabaja con el refrigerante, lea y siga las instrucciones y advertencias de este manual, y utilice equipos de protección como gafas y guantes.

Nota: la cantidad de aceite que se eliminó del sistema de A/C es la cantidad de aceite nuevo que se debe cargar en el sistema de A/C después de que se completa el vaciado.

- Solo use aceite **nuevo** para reemplazar el aceite que se eliminó durante el proceso de reciclado.
- Deseche el aceite utilizado conforme a las regulaciones gubernamentales.

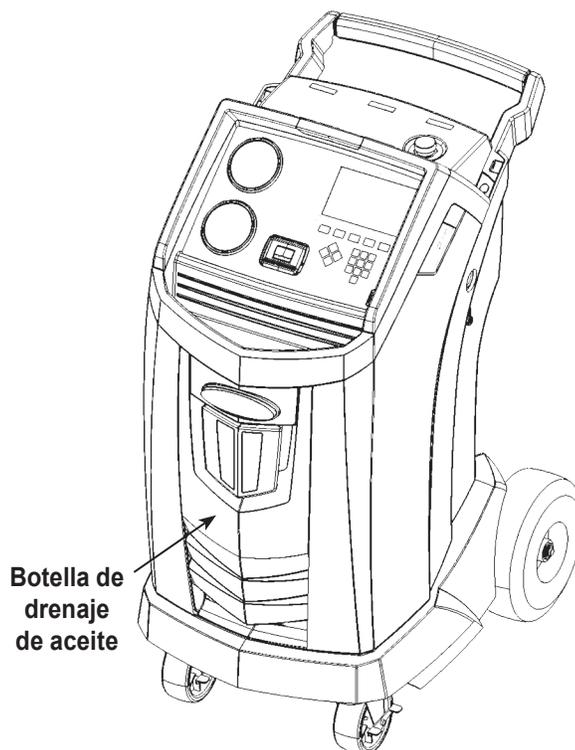


Figura 2

Instrucciones de funcionamiento



Vaciado del sistema de A/C del vehículo

1. Conecte las mangueras de servicio a los puertos de servicio del vehículo.
2. Abra las válvulas del acoplador en la manguera de servicio girando los collarines hacia la derecha.
3. Seleccione **VACÍO**  del **MEN PRINC.**.
4. Seleccione Verif fuga vacío, si lo desea, para realizar una revisión automática del aumento de presión de 5 minutos después del vacío.
5. Seleccione  para aceptar el tiempo de vaciado predeterminado de 10 minutos o introduzca el tiempo de vaciado deseado con las teclas numéricas.

Nota: el proceso de vacío se detendrá si la presión se eleva por encima de 0,35 bares (5 psi). Recupere el refrigerante antes de continuar.

La máquina genera un vacío en el sistema de A/C durante la cantidad de tiempo programada.

La máquina se detiene cuando ha transcurrido la cantidad de tiempo especificada.

6. Para imprimir la información de vacío, seleccione .
7. Seleccione  para regresar al menú principal.



ADVERTENCIA: para prevenir lesiones personales mientras trabaja con el refrigerante, lea y siga las instrucciones y advertencias de este manual, y utilice equipos de protección como gafas y guantes.

Limpieza de las mangueras

Si el siguiente vehículo al que le brinde servicio contiene un tipo de aceite diferente al del vehículo anterior, se recomienda que el aceite residual de las mangueras se descargue para evitar la contaminación.

1. Seleccione **LAVAR MANGU** en el **MENÚ CONF.** La máquina muestra:

Conecte mang servicio a puertos almacenam y abra válv acoplador.

2. Conecte las mangueras de servicio a las conexiones del puerto de almacenamiento de la máquina, como se muestra en la Figura 3.
3. Abra las válvulas del acoplador en la manguera de servicio girando los collarines hacia la derecha.
4. Seleccione para comenzar el proceso de limpieza de mangueras, que demora tres minutos, seguido de una recuperación.

Cuando el proceso de limpieza de la manguera está completo, la pantalla muestra

Lavar mangu
Comple.

5. Seleccione **▶▶** para regresar al menú de configuración.
6. Cierre las válvulas del acoplador girando los collarines hacia la izquierda.

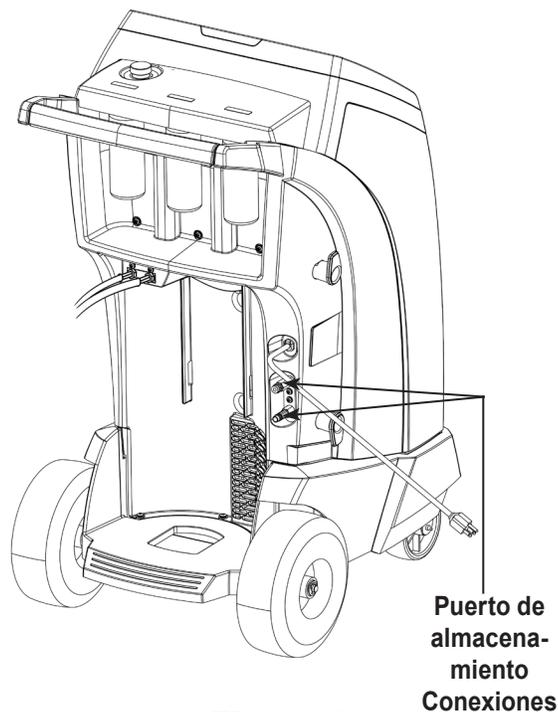
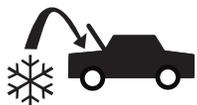


Figura 3

Instrucciones de funcionamiento



Recarga del sistema de A/C del vehículo

1. Conecte ambas mangueras de servicio a los puertos de servicio del vehículo.
2. Seleccione **CARGA**  del **MEN PRINC**.
3. Se le solicitará al usuario que introduzca los datos de servicio. Seleccione cuando termine para continuar. La pantalla muestra

Carga: XX,XXX kg	en lado alto
Cant acei: XXX ml	Botel: XX
Inyec tin: S/N	
cant min carga 10g	

4. Use las teclas de flecha y el teclado numérico para introducir la cantidad de carga deseada. Seleccione **kg|lbs|oz** para cambiar las unidades.
5. Use la tecla de flecha para ir a selección de ruta de carga. El valor predeterminado es el lado alto. Para cambiarlo, seleccione **HSL** en el panel de control. Esto le permitirá al usuario alternar entre la ruta de carga de lado alto, bajo y de ambos lados. La selección actual se muestra en la pantalla.
6. También se puede inyectar aceite en el sistema durante la carga. Use el teclado numérico para introducir la cantidad de aceite a inyectar. Seleccione **m|oz** para cambiar las unidades. Si desea, seleccione **S** para inyectar tinte. Esto agregará aproximadamente 7 mL (0,25 oz) de tinte UV a la carga. Asegúrese de que hay aceite disponible en la botella de inyección de aceite/tinte ubicada en la parte posterior de la máquina.
7. Seleccione para comenzar el proceso de carga. Si mueve o golpea la máquina en este punto puede provocar una carga incorrecta. Cuando el ciclo de carga se aproxima al valor del peso deseado, la máquina disminuye su velocidad. Cargará, se establecerá, cargará de nuevo, se establecerá, etc.
8. Cuando se solicite, seleccione para realizar la ecualización de la manguera. Seleccione para realizar la compensación de la manguera.
Nota: la ecualización de la manguera requiere que el usuario encienda el vehículo. La compensación de la manguera agrega una cantidad preestablecida de refrigerante a la tabla para compensar por el volumen de la manguera de servicio.
9. Cuando aparezca la pantalla **CARGA COMPLETA**, incluirá un resumen de los resultados de carga. Seleccione  para imprimir el resumen. Seleccione  para continuar con la limpieza de las mangueras de servicio.
10. Se le pedirá al usuario que cierre las válvulas del acoplador y desconecte las mangueras del vehículo. Seleccione  para recuperar cualquier refrigerante restante de las mangueras. Cuando termine la limpieza de las mangueras, la máquina regresará al menú principal.

Ahora ya puede utilizar el sistema de A/C del vehículo.



ADVERTENCIA: para prevenir lesiones personales mientras trabaja con el refrigerante, lea y siga las instrucciones y advertencias de este manual, y utilice equipos de protección como gafas y guantes.

Nota: el proceso de carga difiere de vehículo a vehículo. La función de carga para los vehículos equipados con un adaptador de servicio único debe realizarse manualmente. Consulte el manual de servicio del vehículo para obtener instrucciones específicas.

PRECAUCIÓN: si deja abierta la válvula del acoplador del lado bajo (azul) o del lado alto (rojo) durante el proceso de limpieza de las mangueras, el sistema volverá a sacar el refrigerante del vehículo.



Función automática

La función **AUTOMÁTICA** permite al usuario programar una secuencia automática de recuperación, vaciado, prueba de fugas o de carga. Una secuencia automática total puede tardar hasta una hora en completarse.

1. Conecte las mangueras de servicio de lado alto (rojo) y de lado bajo (azul) al sistema de A/C.
2. Abra las válvulas del acoplador en la manguera de servicio girando los collarines hacia la derecha.
3. Seleccione **AUTOMÁTI**  del **MEN PRINC**. La pantalla muestra:

Tiem vacío: XX:XX
Prue fug vacío: ENC
Carga: XX,XXX kg en lado alto
Ace adicional: XXX ml Botel: XX
Inyec tin: S/N
Tpo min vac es 1 seg

4. Use el teclado numérico para introducir la duración deseada del vaciado.
5. Use las teclas de flecha, desplace hacia abajo para elegir si se debe realizar una prueba de fuga de vaciado o no. El valor predeterminado es ENC. Para alternar, seleccione **I/O** en el panel de control.
6. Use la tecla de flecha hacia abajo para ir al campo de entrada "cantidad de carga". Use las teclas de flecha y el teclado numérico para introducir la cantidad de carga deseada. Seleccione **kg|lbs|oz** para cambiar las unidades.
7. Use las teclas de flecha, vaya a "selección de ruta de carga". El valor predeterminado es el lado alto. Para cambiarlo, seleccione **HSLS** en el panel de control. Esto le permitirá al usuario alternar entre la ruta de carga de lado alto, bajo y de ambos lados. El texto en la pantalla cambiará a la selección actual.
8. Use las teclas de flecha para ir al campo de entrada "aceite adicional". Use el teclado numérico para introducir la cantidad adicional de aceite a inyectar. Seleccione **m|oz** para cambiar las unidades. Si desea, seleccione **S** para inyectar tinte. Esto agregará aproximadamente 7 mL (0,25 oz) de tinte UV a la carga. Asegúrese de que hay aceite disponible en la botella de inyección de aceite/tinte ubicada en la parte posterior de la máquina.

Nota: la cantidad especificada de aceite adicional es adicional a la cantidad recuperada. Si no se especifica el aceite adicional,

la máquina inyectará la misma cantidad de aceite que la que se recupera (en el modo automático solamente).

9. Seleccione  para comenzar el ciclo **AUTOMÁTI**. La unidad ahora ejecutará automáticamente todas las funciones aplicables: **RECUP.**, **VACÍO** y **CARGA**. Si el vehículo que se repara anteriormente ya pasó por el proceso de recuperación y vaciado, la máquina solo realizará una **CARGA**.
10. Cuando aparezca la pantalla **AUTOMÁTICO COMPLETO**, incluirá un resumen de los resultados. Seleccione  para imprimir el resumen. Seleccione  para continuar.
11. Se le pedirá al usuario que cierre las válvulas del acoplador y desconecte las mangueras del vehículo. Seleccione  para recuperar cualquier refrigerante restante de las mangueras. Cuando termine la limpieza, la máquina regresará al menú principal.

Ahora ya puede utilizar el sistema de A/C del vehículo.

Notas:

- *la función de **CARGA** para los vehículos equipados con un adaptador de servicio único debe realizarse manualmente de acuerdo con los procedimientos indicados en el manual de servicio del fabricante del vehículo.*
- *Si no se realizó la **RECUP.**, la cantidad de aceite a inyectar puede ingresarse mientras se programa la información de **CARGA**.*
- *Si se encuentran problemas durante la secuencia automática, la alerta de audio sonará tres veces. La secuencia permanece en pausa hasta que el usuario decida cómo continuar.*

Instrucciones de funcionamiento

Limpeza del sistema

La función **LAV SISTEMA** se realiza utilizando un adaptador de limpieza aprobado por el fabricante del vehículo. Consulte las instrucciones suministradas con el adaptador mientras se realizan los siguientes pasos.

1. Verifique que el filtro del purgador y el depurador no estén obstruidos.
2. Monte el purgador en la parte trasera de la máquina.
3. Retire la botella de drenaje de aceite (consulte la Figura 4) de la máquina Robinair. Drene la botella de aceite y deseche el aceite de acuerdo con las regulaciones respectivas. Vuelva a instalar la botella de drenaje de aceite en la parte delantera de la máquina.
4. Recupere todo el refrigerante del sistema que se limpiará.
5. Observe la cantidad de aceite recolectado durante la recuperación. Esta cantidad deberá reponerse, así como también el aceite recolectado durante la limpieza.

Nota: la cantidad de aceite recolectado y reportado durante la limpieza del sistema no incluye la cantidad de aceite recolectado durante la recuperación inicial.

6. Verifique que la unidad tenga por lo menos 6,0 kg (13.2 lb) de refrigerante. La máquina no podrá realizar una limpieza completa del sistema sin por lo menos 6,0 kg de refrigerante en el ISV.

Nota: si la máquina no tiene por lo menos 6,0 kg (13.2 libras) de refrigerante a bordo, vea la sección Llenado del tanque de este manual.

7. Desconecte la máquina del vehículo.
8. Consulte el manual del vehículo y conecte los tubos de desviación y adaptadores de limpieza adecuados.
9. Conecte la manguera de servicio del lado bajo (azul) directamente al filtro del kit de limpieza.
10. Quite el acoplador de servicio del lado alto (rojo), y conecte la manguera de servicio del lado alto (rojo) al adaptador de la línea de succión del sistema.
11. Utilice la manguera suministrada para conectar el adaptador de descarga del sistema a la entrada del purgador.
12. Conecte las mangueras de acuerdo con las instrucciones que se incluyen con el kit de limpieza



ADVERTENCIA: para prevenir lesiones personales mientras trabaja con el refrigerante, lea y siga las instrucciones y advertencias de este manual, y utilice equipos de protección como gafas y guantes.

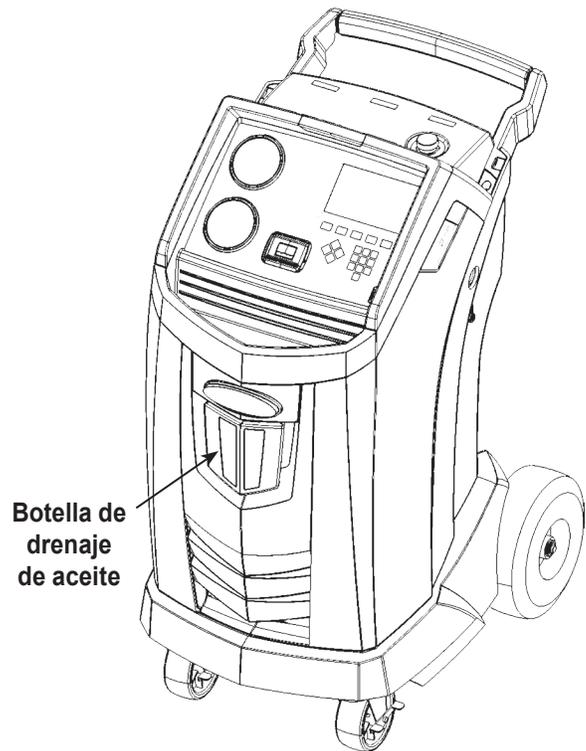


Figura 4

Instrucciones de funcionamiento

13. Seleccione **LAV SISTEMA** en el **MENÚ CONF.** La unidad solicitará la introducción de datos de servicio, si se requieren. Seleccione ✓ para continuar con el proceso de limpieza del sistema. Puede que se le pida al usuario introducir el tiempo total de limpieza para que se active el proceso de limpieza.

La máquina entrará automáticamente en el proceso de **VACÍO** y procederá a la prueba de fugas.

Cuando terminen las pruebas de vacío y fugas, la unidad entrará en el proceso de limpieza del sistema propiamente dicho, seguido por el drenaje de aceite.

14. Cuando aparezca la pantalla Limpieza completa, incluirá un resumen de los resultados de la limpieza del sistema. Seleccione  para imprimir el resumen. Seleccione ►► para regresar al **MENÚ CONF.**

Se limpió el sistema de A/C del vehículo.

 **ADVERTENCIA:** NO desconecte los acopladores de servicio durante el proceso de limpieza. El refrigerante se saldría por los conectores y exponerse a esto puede ocasionar lesiones personales.

PRECAUCIÓN: El kit de limpieza tiene un filtro reemplazable, así como también un depurador de desechos, ambos pueden obstruirse. Al final del ciclo de limpieza, revise el medidor del lado alto (rojo) para verificar la presión del sistema y revise el adaptador para verificar la eliminación completa de refrigerante.

Si hubiera presión o permanencia de refrigerante, salga del ciclo de limpieza e ingrese al modo de recuperación para recuperar el refrigerante por medio de las mangueras del lado alto (rojo) y del lado bajo (azul). Luego realice el mantenimiento de los filtros y repita el proceso de limpieza.

Mantenimiento

Programa de mantenimiento

Tarea de mantenimiento	Intervalo recomendado
Cambio de filtro	Después de que se hayan filtrado 68 kg (150 lb) del refrigerante. Consulte Mantenimiento del filtro en la sección Mantenimiento de este manual.
Cambio del aceite de la bomba de vacío	Al reemplazar el filtro. Consulte Cambio del aceite de la bomba de vacío en la sección Mantenimiento de este manual.
Revisión de cásters y ruedas para facilitar el funcionamiento	Mensual.
Revisión de calibración de la balanza interna	Mensual. Consulte Verificación de la calibración en la sección Mantenimiento de este manual.
Verificación de fugas en la máquina	Mensual. Revise las mangueras y conexiones por si presentan fugas. Desconecte la energía, retire la cubierta y use el detector de fugas electrónico para revisar los conectores.
Limpieza de panel de salida de flujo de aire (vea Figura 5)	Mensual. Use un paño limpio.
Limpieza de gabinete y panel de control	Mensual. Use un paño limpio.
Inspección del cable de energía y de las mangueras por si existen cortes y abrasiones	Diariamente.
Lubricación de los cojinetes de las ruedas e inspección de los componentes de los frenos	Mensual.
Prueba de presión	Cada 10 años. Se realiza cada 10 años, por parte de un centro autorizado de servicio Robinair.

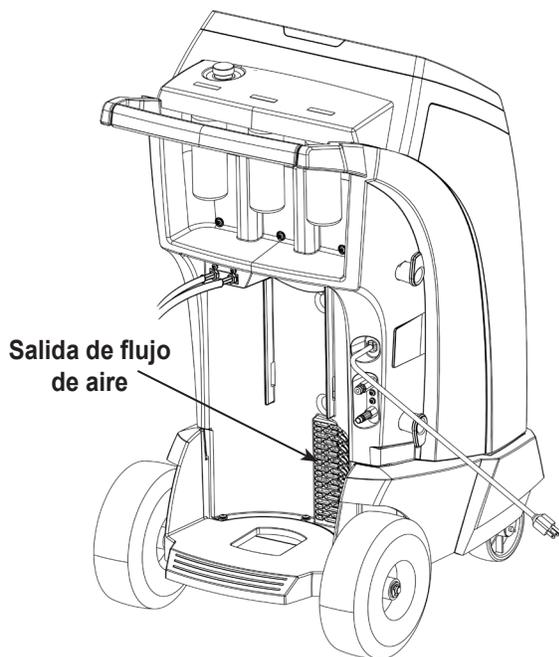


Figura 5

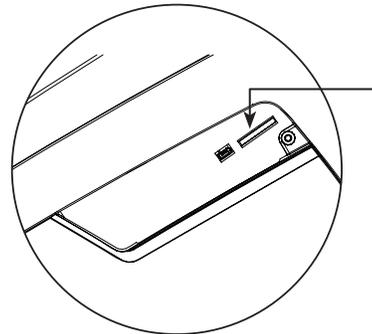


ADVERTENCIA: Para evitar lesiones personales, solo personal calificado puede realizar las inspecciones y reparaciones de esta máquina. Lea y siga las instrucciones y advertencias de este manual, y utilice equipos de protección como gafas y guantes.

Carga del idioma

Use las siguientes instrucciones para añadir o actualizar un idioma desde una tarjeta SD.

1. Elija **SELECC IDIOMA** en el **MENÚ CONF**.
2. Utilice las teclas de flecha para desplazarse a **CARG NUEVO**. Seleccione ✓.
3. Introduzca la tarjeta SD que contiene los datos del idioma en el panel lateral de la máquina. Consulte Figura 6.
4. Siga las solicitudes para seleccionar el idioma que desea cargar o actualizar. Si carga un nuevo idioma, será necesario seleccionar el idioma que desea reemplazar.



Introduzca la tarjeta SD que contiene idioma nuevo o actualizado.

Figura 6

Mantenimiento

Ajuste del objetivo de llenado de reserva

Esta máquina contiene una característica de llenado del tanque de reserva. Se puede conectar el depósito de almacenamiento externo de refrigerante a la máquina (mediante la manguera negra de llenado del tanque) para un llenado continuo del depósito interno. Al tomar refrigerante del depósito de almacenamiento externo conectado, la máquina cargará periódicamente el tanque ISV al objetivo de llenado deseado.

1. Para seleccionar el objetivo de llenado de reserva de refrigerante de la máquina, seleccione **AJUST OBJETIV LLENADO RESERVA** en el **MENÚ CONF**.
2. Use las flechas y el teclado numérico para introducir el objetivo deseado de llenado. Seleccione ✓ para guardar el nuevo valor y salir. Seleccione ✗ para salir y continuar usando la cantidad introducida anteriormente.

Llenado del tanque

Este elemento del menú se utiliza para transferir refrigerante de un tanque fuente al ISV.

La capacidad máxima del ISV es 10 kg. Utilice las teclas de flecha para mover el cursor, use el teclado para introducir la cantidad. Nota: agregue por lo menos 3,6 kg de refrigerante para asegurarse de que haya suficiente para cargar.

1. Conecte la manguera de llenado del tanque (negra) al conector de líquido en el tanque fuente lleno.
2. Ubique el tanque fuente de tal manera que el refrigerante líquido se suministre a la conexión. Abra la válvula del tanque fuente.
3. Seleccione **DE LLENO** en el **MENÚ CONF**. La máquina muestra:

De lleno
Monto lle: XX.XYY
Capacidad carga: XX.XXYY
Capacid recupera: XX.XXYY

4. Introduzca la cantidad a recuperar y seleccione ✓. Agregue por lo menos 3,6 kg de refrigerante para asegurarse de que haya suficiente para cargar.
5. La máquina comienza a llenar el ISV y se detiene automáticamente cuando alcanza el nivel predeterminado de llenado del tanque. Para detener el llenado del tanque antes de que se alcance el nivel predeterminado, seleccione ✓. En la pantalla aparecerá una opción para salir.
6. Cuando termine, quite la manguera del tanque fuente.



ADVERTENCIA: para prevenir lesiones personales mientras trabaja con el refrigerante, lea y siga las instrucciones y advertencias de este manual, y utilice equipos de protección como gafas y guantes.

Mantenimiento del filtro

El filtro está diseñado para atrapar el ácido y las partículas y eliminar la humedad del refrigerante. Para cumplir con la exigencia adecuada de eliminación de humedad y contaminantes, debe reemplazar el filtro después de haber filtrado 68 kg (150 lb) de refrigerante.

La máquina emite una advertencia cuando se han utilizado 57 kg (125 lb) de su capacidad de filtrado; la máquina se bloquea y no funcionará cuando alcance la capacidad del filtro de 68 kg (150 lb).

Revisión de la capacidad restante del filtro

1. Seleccione **MANTENIM FILTRO** en el **MENÚ CONF** o cuando la máquina lo indique. La máquina muestra:

Capacidad filtro restante: XXX.XO kg

¿Camb. filtro ahora?

La máquina muestra la cantidad de capacidad restante del filtro hasta que la máquina se bloquee.

2. Seleccione para cambiar el filtro; seleccione para continuar usando la máquina.
-

 **ADVERTENCIA:** Los componentes en la máquina están bajo presión alta. Para prevenir lesiones personales, cambie el filtro únicamente cuando la máquina lo indique.

Precaución: para evitar daños al equipo, utilice únicamente filtros Robinair n.º 34724 auténticos en esta máquina. Todas las pruebas de funcionamiento y reclamos se basan en el uso de este filtro específico.

Mantenimiento

Reemplazo del filtro

1. Si se seleccionó ✓ para cambiar el filtro, la máquina indica que se ingrese el código del filtro nuevo.

Intr. núm. serie filtro nuevo.

Utilice el teclado para introducir el número de serie que aparece en el nuevo filtro y seleccione ✓ para continuar.

Nota: si se muestra "Número serie no válido" significa que se ha introducido incorrectamente el número de serie o que el filtro ya ha sido usado en esta máquina.

2. La máquina borra el filtro existente y muestra:

Número de serie aceptado.
Apagar unidad y remplaz filtro.

Apague la máquina. Retire la botella de aceite. Retire los cuatro tornillos que sujetan la cubierta. Consulte Figura 7.

3. Sostenga la cubierta en la parte posterior de la máquina como se muestra en la Figura 8.
4. Quite el filtro girándolo hacia la izquierda (tal como se visualiza desde la parte inferior del filtro).
5. Observe el nuevo filtro. Verifique que ambas juntas tóricas estén lubricadas y colocadas correctamente en las ranuras.
6. Instale el nuevo filtro enroscándolo hacia la derecha. Verifique que el filtro esté colocado correctamente, como se muestra en la Figura 8. Apriete el filtro a 20 Nm.
7. Encienda la máquina. La operación Cambio del aceite de la bomba de vacío comenzará, y la pantalla mostrará

Cal aceite para dren. XX:XX

Ver "Cambio del aceite de la bomba de vacío" en la página 30 para más información.

Entonces la máquina comenzará la operación Revisión de fugas. Ver "Revisión de fugas" en la página 31 para más información.

Precaución: Para evitar daños en el equipo, utilice únicamente auténticos Robinair No. 34724 filtros en esta máquina. Todas las pruebas de rendimiento y reivindicaciones se basan en el uso de este filtro específico.

Retire los cuatro tornillos que sujetan la cubierta.

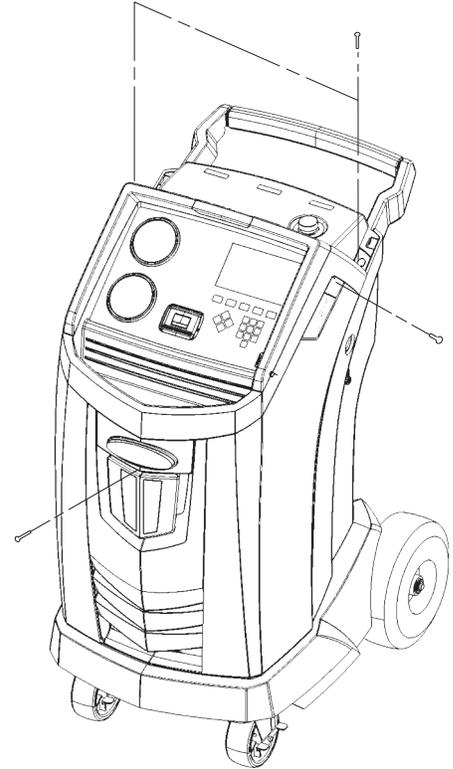


Figura 7

Sostenga la cubierta aquí

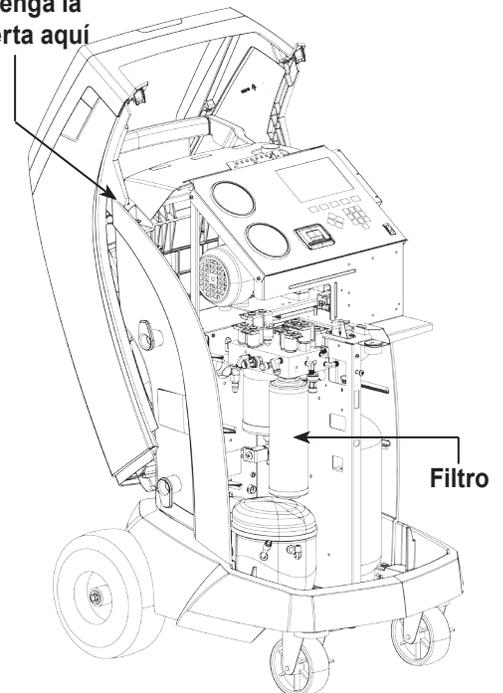


Figura 8

Verificación de la calibración

Esta función se utiliza para garantizar que la balanza interna de la máquina siempre esté calibrada. Durante esta prueba, utilice únicamente la pesa de calibración que se proporciona con la máquina.

1. Consulte la Figura 9, y verifique que el imán en la parte inferior de la máquina esté limpio.
2. Seleccione **CONTROL CALIBRAC** del **MENÚ CONF**. La máquina muestra:

Coloque el peso de calibración en el imán situado en la base de la máquina.

3. Fije el peso de calibración al imán que se encuentra en la base de la máquina. Seleccione ✓ para continuar.
4. La máquina muestra:

Retire el peso de calibración pequeño de la báscula.

Retire la pesa de calibración del imán. Seleccione ✓ para continuar.

- Si la pantalla muestra:

Aprobó comprob calibra

la balanza está calibrada. Seleccione ►► para regresar al menú de configuración.

- Si la pantalla muestra:

Falló comprob calibra. ¿Reint?

la balanza no está calibrada. Para volver a intentar, seleccione ↺. Si la calibración sigue fallando, contacte a un centro de servicio de Robinair para recibir ayuda.

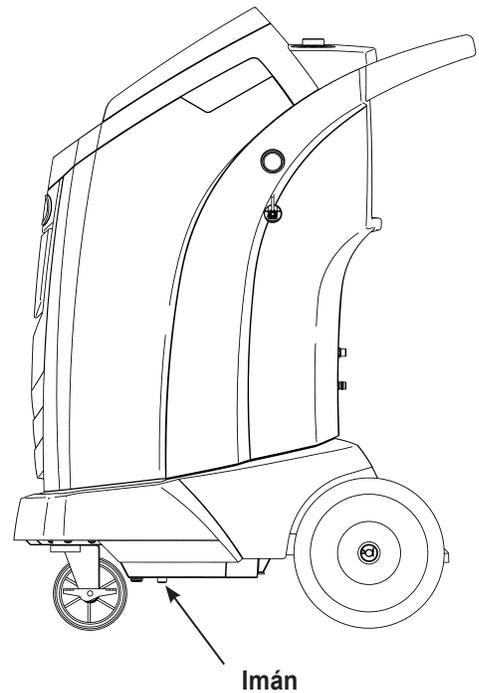


Figura 9

Mantenimiento

Cambio del aceite de la bomba de vacío

1. Seleccione **MANTENIMIE BOMBA** en el **MENÚ CONF** o cuando la máquina lo indique. La pantalla muestra cuánto tiempo ha funcionado la bomba de vacío desde el último cambio de aceite.

Durac. rest. acei
XXX:XX (hhh:mm)
¿Cambiar acei?

2. Seleccione para cambiar el aceite de la bomba de vacío. Si la máquina muestra:

Cal aceite para dren.
XX:XX

permita que la bomba de vacío funcione durante dos minutos para calentar el aceite. Si el aceite ya está caliente, la pantalla muestra

Drene aceite usado bomba y reemplace con aceite nuevo.
Quite tapón llenar para aligerar dren.

3. Abra lentamente la tapa de llenado de aceite para verificar que no haya presión en la máquina. Luego quite cuidadosamente la tapa. Consulte Figura 10.
4. Retire el tapón del conector de drenaje de aceite y drene el aceite a un recipiente adecuado para su desecho. Reemplace la tapa y cierre bien. Seleccione **▶▶** para continuar.
5. La máquina muestra:

Llene bomba vacío hasta centro vidrio visor.
Reemp. tapón llen.

Agregue lentamente aceite a la bomba de vacío a través del puerto de llenado de aceite hasta que el aceite llegue al centro del visor. Instale la tapa en el puerto de llenado de aceite y cierre bien. Seleccione **▶▶** para regresar a el **MENÚ CONF**.

Nota: para obtener el nivel apropiado de aceite, asegúrese de que la máquina esté en una superficie plana y nivelada.

⚠ ADVERTENCIA: para prevenir lesiones personales **NUNCA** ponga a funcionar la máquina en ningún otro momento sin la tapa del puerto de llenado de aceite instalada, pues la bomba de vacío se presuriza durante el funcionamiento normal.

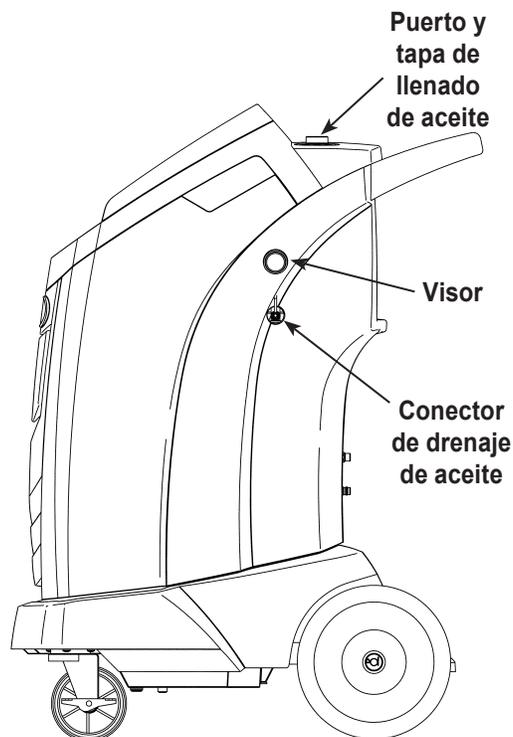


Figura 10

PRECAUCIÓN: es responsabilidad del usuario controlar el nivel y la pureza del aceite de la bomba de vacío. Si el aceite contaminado no se retira y se reemplaza de la bomba de vacío, ésta se dañará permanentemente.

Verificación de fugas

Se puede realizar una prueba de fugas en la máquina en cualquier momento. Durante esta prueba, los componentes que contienen refrigerante se presurizan y se monitorean para detectar una posible disminución de la presión, lo que podría indicar una fuga.

1. Seleccione **COMP FUGAS** del **MENÚ CONF.** La máquina muestra:

Conecte mang servicio a puertos almacenam y abra válv acoplador.

2. Conecte los acopladores de la manguera de servicio a los puertos de almacenamiento en la parte trasera de la máquina. Abra los acopladores girando los collarines hacia la derecha.
3. Seleccione ✓ para comenzar. La máquina realiza una autorrecuperación y muestra

Recuper en progreso

La máquina realiza una prueba de vacío durante 30 segundos y muestra

Verif fuga vacío proceso

Si falla la prueba de vacío, la máquina indicará revisar si hay fugas.

Cuando la máquina apruebe la prueba de fugas, se aplica presión controlada a los componentes internos. La máquina muestra:

Revisión fuga presión proce

La presión se mantiene durante cinco minutos y se monitorea para detectar una posible disminución. Los minutos y los segundos se muestran como cuenta regresiva en la pantalla.

- Si se detecta una pérdida de presión aceptable, la máquina recupera refrigerante y luego vuelve al menú de configuración, lista para su funcionamiento normal.
- Si se detecta una caída de presión inaceptable, la máquina solicitará que verifique si hay fugas. Lleve la máquina a un centro de servicio Robinair autorizado para su reparación.



ADVERTENCIA: para prevenir lesiones personales mientras trabaja con el refrigerante, lea y siga las instrucciones y advertencias de este manual, y utilice equipos de protección como gafas y guantes.



ADVERTENCIA: para prevenir lesiones en caso de que deba transportar la máquina a un centro de servicio Robinair local, siga las regulaciones gubernamentales locales en relación con el transporte de equipos que contengan R-134a.

Edición del encabezado de la impresión

Para hacer cambios al texto que aparece en esta pantalla:

1. Seleccione **EDITAR ENCABE IMP** del **MENÚ CONF.**
2. El cursor está titilando en el primer campo. Actualice el texto usando las flechas y la interfaz de pulsaciones múltiples en el teclado numérico:
 - La flecha **IZQUIERDA** y **◀** funcionan como tecla de retroceso.
 - La flecha **DERECHA** mueve el cursor a la derecha.
 - La tecla **CERO (0)** funciona como la barra espaciadora.
 - Las teclas de flechas **ARRIBA** y **ABAJO** navegan entre las filas.
3. Seleccione **✓** para guardar los cambios y regresar al menú de configuración; seleccione **✗** para regresar al encabezado anterior y salir al menú de configuración.

Reemplazo del papel de la impresora

Para instalar un nuevo rollo de papel en la impresora:

1. Retire la tapa de la impresora tirando de la lengüeta como se muestra en la Figura 11.
2. Desinstale el núcleo del papel.
3. Instale el nuevo rollo de papel con el extremo del papel en la parte superior del rollo.
4. Ensamble la cubierta en la impresora con el borde delantero del papel sobre el rodillo.

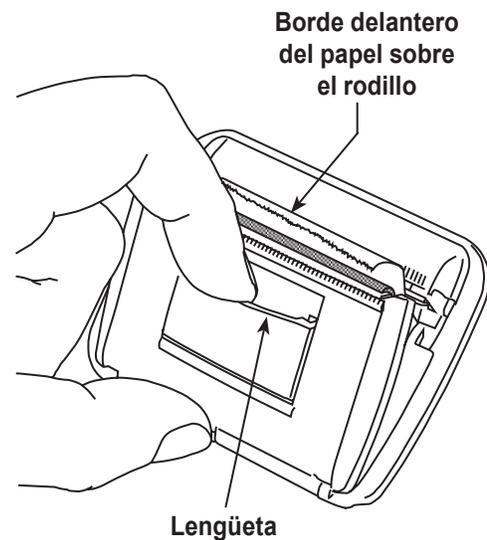


Figura 11

Partes de reemplazo

Componente	Núm. de parte de reemplazo
Peso de calibración	16214
Filtro	34724
Botella de drenaje de aceite	19100
Botella de inyección de aceite/tinte	19103
Impresora	30038
Papel para impresora (3 rollos)	34214
Acoplador de servicio de baja presión (LP)	18190A
Acoplador de servicio de alta presión (HP)	18191A
Juego de acopladores de servicio (acopladores lado alto [rojo] y lado bajo [azul])	18192
Juego de mangueras sin acopladores (lado alto [rojo] y lado bajo [azul])	71789
Manguera de servicio sin acoplador (lado bajo, azul)	70020
Manguera de servicio sin acoplador (lado alto, rojo)	70021
Aceite para bomba de vacío (16 oz)	13119
Aceite para bomba de vacío (cuarto de galón)	13203
Aceite para bomba de vacío (galón)	13204
Cubierta de vinilo antipolvo (opcional)	17499



ADVERTENCIA: para prevenir lesiones personales, utilice solamente las piezas de repuesto que se especifican en esta lista de piezas. Robinair ha probado y seleccionado cuidadosamente los artículos que se encuentran en esta lista de piezas.

Glosario

Sistema de A/C : sistema de aire acondicionado del vehículo al que va a dar servicio.

Evacuación : la humedad y otros no condensables son eliminados de un sistema de A/C por una bomba de vacío.

Depósito de almacenamiento interno (ISV) : tanque de almacenamiento de refrigerante rellenable, diseñado específicamente para esta máquina; capacidad de 10 kg (22 lb.).

Prueba de fugas (vacío) : los componentes que contienen refrigerante se evacúan y monitorean por el aumento de presión, lo que podría indicar una fuga.

Máquina : Modelo núm. 34988NI.

Revisión de fugas : los componentes que contienen refrigerante son presurizados y monitoreados por la caída de la presión, lo que podría indicar una fuga.

Recuperación/Reciclado : el refrigerante se recupera de un sistema de A/C, se filtra y se almacena en el ISV.

Refrigerante : R-134a.

Solución de problemas

Pantalla	Causa	Solución
FALLÓ COMPROB CALIBRA.	La balanza interna no está calibrada.	Seleccione  para volver a intentar la verificación de calibración. Si la calibración sigue fallando, salga de la prueba actual y contacte a un centro de servicio de Robinair para obtener la reparación.
¡CARGA ATASCADA!	El refrigerante está atascado en el ISV o en la máquina.	Verifique que las conexiones estén firmes y que las válvulas estén en la posición correcta.
BASE DATOS NO DISPONI	La máquina no se envía con la base de datos instalada.	Contacte a un centro de servicio de Robinair para obtener más información.
PESO EXCESIVO TAN.	Se activó el circuito de sobrelle-nado. La máquina se bloqueó porque hay demasiado refrige-rante en el ISV.	Contacte a un centro de servicio de Robinair para obtener más información.
CAPACIDAD FILTRO AGOTADA. REEMPLAZAR EL FILTRO. FILTRADO:XXX.XYY ¿CAMB FILTRO YA?	Se han recuperado 68 kg (150 lb) o más de refrigerante desde el último cambio de filtro.	Consulte la sección Mantenimiento del filtro de este manual para obtener instrucciones para cambiar el filtro.
PRESIÓN ALTA TAN.	La máquina se bloqueó porque la presión en el ISV es demasiado alta, posiblemente debido a la temperatura excesivamente alta del tanque.	Deje que la máquina se enfríe antes de realizar el servicio adicional del A/C. Si el problema continúa, contacte a un centro de servicio de Robinair para obtener más información.
REFRIG FALLÓ PRBA PUREZ	El refrigerante que se prueba no es R-134a o está contaminado.	No recupere refrigerante contaminado en la máquina; utilice una máquina de recuperación de refrigerante externa, específica para refrige-rante contaminado.
PRESIÓN ENTRADA MUY ALTA PARA VACÍO.	Antes de que la máquina comience a vaciar el sistema de A/C, ésta revisa si hay presión en el sistema que pueda dañar la bomba de vacío. En este caso, la presión del sistema es superior a 0,35 bares.	Seleccione  . Consulte la sección Recuperación de este manual para recuperar el refrigerante antes de continuar.
NO HAY ACEITE SUF PARA CARGAR	Puede que la botella de aceite de inyección seleccionada no contenga suficiente aceite para completar la inyección.	Llene la botella, vuelva a introducir la cantidad de aceite o continúe la carga sin la inyección de aceite.

Solución de problemas

Pantalla	Causa	Solución
REFRIGERAN INSUFICIENTE. REQUIERE 6KG (13.2LB) PARA LAVAR SISTEMA.	No hay suficiente refrigerante en el ISV para realizar la limpieza del sistema.	Consulte Llenado del tanque en la sección Mantenimiento de este manual.
REFRIGER INSUFICIENTE DISPONIBLE PARA CARGA. SELECCIO: XX.XXYY DISPON: XX.XXYY	Luego de ingresar el peso deseado, si el proceso de carga deja menos de 0,67 kg (1.4 lb) de refrigerante en el ISV, la función de carga no se iniciará.	Consulte Llenado del tanque en la sección Mantenimiento de este manual.
CÓDIGO INVÁLIDO	El código de activación introducido en la máquina no es correcto.	Verifique que el código de activación se introduzca exactamente como se recibió. se requiere el uso de mayúsculas.
NÚMERO SERIE NO VÁLIDO	El número de serie del filtro introducido en la máquina no es correcto.	Verifique que el número de serie introducido concuerde con el número en el filtro. Verifique que el filtro no haya sido usado anteriormente en la máquina.
FALLÓ PRUE FUGAS	Una fuga en el sistema de A/C del vehículo.	Salga de la prueba actual y realice reparaciones al sistema de A/C del vehículo.
NO PRESIÓN ENTRADAS. REVISE CONEXIONES ¿REC DE TD MDS?	La presión de sistema es inferior a 0,35 bares.	Verifique que las mangueras del lado alto (rojo) y del lado bajo (azul) estén conectadas y que las válvulas del acoplador estén abiertas. Seleccione  para RECUPERAR; seleccione  para omitir la recuperación y seguir con el VACÍO.
DREN ACE DETEN	La presión del acumulador no subió a más de 1,10 bares durante el minuto anterior al momento en que debía ocurrir el drenaje de aceite.	Se requiere la presión adecuada en el acumulador para forzar al aceite, que se ha separado del refrigerante, a salir del sistema. Seleccione  para volver a intentarlo; seleccione  para salir.
DURAC. REST. ACEI XX:XXX ¿CAMBIAR ACEI?	En la pantalla aparece la vida útil restante del aceite de la bomba de vacío antes de que al máquina se bloquee.	Consulte la sección Mantenimiento de este manual para obtener instrucciones para cambiar el aceite de la bomba de vacío.
FUERA RANGO PRESIÓN ACUMULADOR	El transductor de la presión del acumulador no lee correctamente la presión.	Salga de la prueba actual y contacte a un centro de servicio autorizado Robinair para obtener más información.

Solución de problemas

Pantalla	Causa	Solución
PRESIÓN ISV FUERA RANGO	El transductor de la presión del depósito de almacenamiento interno no lee correctamente la presión.	Salga de la prueba actual y contacte a un centro de servicio autorizado Robinair para obtener más información.
TEMPERATURA ISV FUERA RANGO	El sensor de temperatura del depósito de almacenamiento interno no lee correctamente la temperatura.	Salga de la prueba actual y contacte a un centro de servicio autorizado Robinair para obtener más información.
SENSOR PRESIÓN LS FUERA RANGO	El transductor de la presión del lado bajo no lee correctamente la presión.	Salga de la prueba actual y contacte a un centro de servicio autorizado Robinair para obtener más información.
FALLÓ COMUNICACIÓN TARJ. ENERGÍA	Falló la comunicación con el módulo de relé.	Apague y encienda la máquina. Si el problema continúa, contacte a un centro de servicio de Robinair para obtener más información.
FALLÓ PRUEBA FUGA PRESIÓN. REVISE FUGAS UNIDAD.	Una fuga en el sistema de A/C del vehículo.	Salga de la prueba actual y realice reparaciones al sistema de A/C del vehículo.
NÚMERO FILTRO YA ESTÁ EN USO. ¿REINT O SALIR?	El número de serie del filtro introducido en la máquina no es correcto.	El filtro ya ha sido usado en la máquina. Obtenga un nuevo filtro Robinair No. 34724.
DEPÓSITO ORI VACÍO.	No se puede transferir refrigerante al ISV porque el tanque fuente está vacío.	Salga de la prueba actual y reemplace el tanque fuente.
TANQUE LLEN. ELIMIN REFRIGER ANTES DE CONTINUAR	El ISV está demasiado lleno para recuperar refrigerante adicional.	Realice un proceso de carga para eliminar el refrigerante del ISV antes de que se puedan realizar procesos de recuperación adicionales.
TERMINÓ PERIODO PRUEBA. DEBE ACTIVAR UNIDAD PARA CONTINUAR USO.	El no registrar y activar la máquina durante los 30 días siguientes del encendido inicial hará que la máquina se bloquee y deje de funcionar.	Seleccione ✓ y consulte la sección Activación de la unidad de este manual para registrar la máquina.
FALLÓ PRU VACÍO. REVISE SI FUGAS SISTE	Una fuga en el sistema de A/C del vehículo.	Salga de la prueba actual y realice reparaciones al sistema de A/C del vehículo.

Almacenamiento y transporte del equipo

Almacenamiento

Nunca deje la máquina encendida si no la va a utilizar de inmediato.

1. Desconecte la máquina del suministro de energía.
2. Enrolle las mangueras de servicio alrededor de la manija dos veces y conéctelas a los puertos de almacenamiento. Consulte Figura 12.
3. Guarde la máquina en un lugar seco y estable, lejos de llamas y superficies calientes. La temperatura de la zona de almacenamiento debe estar entre $-18\text{ }^{\circ}\text{C}$ y $60\text{ }^{\circ}\text{C}$ ($0\text{ }^{\circ}\text{F}$ y $140\text{ }^{\circ}\text{F}$).
4. Bloquee las ruedas delanteras.

Transporte del equipo

! **ADVERTENCIA:** para prevenir lesiones en caso de que deba transportar la máquina a un centro de servicio Robinair, siga las regulaciones gubernamentales locales en relación con el transporte de equipos que contengan R-134a.



Figura 12

Desecho del equipo



Al final de su vida útil, deseche la máquina R-134a de acuerdo con las regulaciones gubernamentales actuales.

- La administración pública y los fabricantes de equipos eléctricos / electrónicos (EEE) están involucrados en facilitar los procesos de reutilización y recuperación de residuos de equipos eléctricos / electrónicos mediante la organización de actividades de recolección y la utilización de mecanismos de planificación adecuados.
- No deseche este equipo como residuo municipal sólido diverso. Ocúpese de que se recolecte por separado. El desecho no autorizado de residuos de equipos eléctricos y electrónicos es penado por la ley con las sanciones correspondientes.
- La reutilización y el reciclaje correcto de los equipos eléctricos/electrónicos (EEE) son necesarios para la protección del medio ambiente y el bienestar de los seres humanos.

Desecho de materiales reciclados

Es responsabilidad del usuario determinar si un material es desecho peligroso al momento de desecharlo. El usuario debe asegurarse de cumplir con todas las leyes y normas que aplican.

1. Entregue el refrigerante recuperado de los sistemas de A/C a los proveedores de gas para su reciclado o desecho.
2. Entregue los lubricantes extraídos de los sistemas de A/C a los centros de recolección de aceite usado.
3. Revise las leyes de su jurisdicción para determinar los procedimientos de desechos correctos para el aceite de la bomba.

Desecho de la máquina

1. Desconecte y descargue el gas del circuito de la máquina. Descargue completamente el tanque de refrigerante en cumplimiento con las regulaciones gubernamentales actuales.
2. Entregue la máquina a un centro de desechos apropiado.

Desecho de las baterías



Al final de su vida útil, deseche las baterías de acuerdo con las regulaciones gubernamentales actuales. Las baterías deben ser recicladas o desechadas de manera correcta. No deseche las baterías junto con los residuos normales.



ADVERTENCIA: Para prevenir lesiones personales, no arroje las baterías a las llamas.

Avisos sobre las licencias de software

AVISOS DE LICENCIA DE SOFTWARE DE BOSCH AUTOMOTIVE SERVICE SOLUTIONS

Copyright © 2014 Robert Bosch GmbH. Todos los derechos reservados.

Bosch Automotive Service Solutions
28635 Mound Road
Warren
MI 48092
USA

Números telefónicos

EE. UU. 800-533-6127
EMEA +49 (0) 6182 959-225

Este software de Bosch Automotive Service Solutions se otorga bajo el acuerdo de licencia de software que se presenta cuando se activa el producto.

Todos los otros nombres de productos o servicios son propiedad de sus respectivos dueños.

Las marcas comerciales registradas de sus respectivas empresas se reconocen expresamente en este documento.

Los siguientes avisos se relacionan con esta licencia de software de Bosch Automotive Service Solutions:

1. Este producto contiene las bibliotecas IAR estándar. El acuerdo de la licencia de software se describe a continuación y está ubicado en http://www.iar.com/Global/Products/Software_licenses/SLA_February_2013.pdf.

La biblioteca IAE estándar incluye software de terceros según se declara en el documento de licencias de terceros que aparece a continuación y está ubicado en

http://www.iar.com/Global/Products/Software_licenses/3rdpartyLicenses.html

2. Este producto contiene LibTomCrypt que es un conjunto de herramientas criptográficas que es bastante completo, modular y portátil que proporciona a los desarrolladores una amplia gama de cifradores por bloques publicados bien conocidos, funciones hash unidireccionales, modos de encadenamiento, generadores de números pseudoaleatorios, criptografía de claves públicas y una plétora de otras rutinas. <http://www.libtom.org>. LibTomCrypt es de dominio público. Así como debe ser todo el software de calidad. Tom St Denis

3. Este producto contiene el software Freescale como parte del BSP para microcontrolador Freescale. Consulte los acuerdos de licencia del semiconductor Freescale para obtener los términos de uso que se informan a continuación y que están ubicados en

https://www.freescale.com/webapp/sps/download/license.jsp?colCode=DL-MQX-CX&prodCode=MQX&app-Type=file2&location=null&DOWNLOAD_ID=null&fsrch=1&sr=1&pageNum=1&Parent_nodeId=&Parent_pageType

Acuerdo de licencia de software de IAR

Sobre los productos: IAR Embedded Workbench® y visualSTATE® de IAR Systems AB

PREÁMBULO

ESTE ACUERDO DE LICENCIA DE SOFTWARE (“EL ACUERDO”) SE APLICA A LOS PRODUCTOS CON LICENCIA DE IAR SYSTEMS AB, INCLUSO A CUALQUIERA DE SUS SUBSIDIARIAS (“IAR SYSTEMS”), A SUS DISTRIBUIDORES (“IAR DISTRIBUTORS”) O A USTED (“EL LICENCIATARIO”).

La confirmación del pedido de IAR Systems o, cuando aplique, el acuerdo entre IAR Systems y el licenciataria, estipulará, además del producto con licencia aplicable y el costo de la licencia (que también se informará en la factura), a) si la Licencia en cuestión es una licencia que está bloqueada en la PC o una licencia para varios usuarios, b) en caso de una licencia para varios usuarios, la cantidad permitida de usuarios, c) si la licencia incluye el servicio limitado de soporte y de actualización y, en dichos casos, la fecha de vencimiento de dicho servicio. El abrir cualquier paquete en que estos términos se han estipulado o indicado y cualquier uso del software de IAR Systems está sujeto a estos términos y condiciones.

USTED, COMO USUARIO DE LOS PRODUCTOS CON LICENCIA ESTIPULADOS ARRIBA Y EN LA FACTURA, COMPROMETERÁ A LA CORPORACIÓN U ORGANIZACIÓN TAMBIÉN ESTIPULADA EN LA FACTURA CON ESTE ACUERDO AL ABRIR EL PAQUETE O INSTALAR EL SOFTWARE EN QUE ESTE ACUERDO SE HA ESTIPULADO O INDICADO. SI NO ESTÁ DE ACUERDO CON LOS TÉRMINOS DE ESTE ACUERDO O NO TIENE LA AUTORIDAD PARA COMPROMETER A SU CORPORACIÓN U ORGANIZACIÓN CON ESTOS TÉRMINOS, DEBERÁ CONTACTAR DE INMEDIATO A IAR SYSTEMS Y NO PUEDE INSTALAR NINGÚN SOFTWARE NI HACER USO DE NINGUNA PARTE DE ESTE PRODUCTO.

1. DEFINICIONES

Los siguientes términos tienen el significado estipulado a continuación cuando se utilicen en este Acuerdo:

1.1 **“Software ejecutable”** significa una copia de una versión de código ejecutable del o de los programas de software que forman parte del paquete incluido o especificado de otra forma en este Acuerdo o en la factura (incluso cualquier módulo link-time y ejecutable), junto con plantillas y otras instrucciones y cualesquiera revisiones y módulos adicionales y plantillas (si los hay) que el licenciataria puede recibir de IAR Systems debido a este acuerdo de cuando en cuando.

1.2 **“Código fuente del software”** tiene el significado establecido en la sección 3.7.

1.3 **“Software”** es un término colectivo para el software ejecutable y el código fuente del software, según se define arriba.

1.4 **“Documentación”** significa una copia de la documentación, como la proporciona IAR Systems junto con el software para el uso por el licenciataria.

1.5 **“Producto”** significa el software y la documentación que se le otorga mediante licencia al licenciataria, según las condiciones estipuladas en este Acuerdo.

1.6 **“Factura”** significa la factura de IAR Systems o IAR Distributor emitida al licenciataria para la licencia que se otorga mediante el presente Acuerdo.

1.7 **“Licencia bloqueada en la PC”** tiene el significado establecido en la sección 3.2.

1.8 **“Licencia móvil”** tiene el significado establecido en la sección 3.3.

1.9 **“Licencia para varios usuarios”** tiene el significado establecido en la sección 3.4.

1.10 **“Licencia de red”** tiene los significados establecidos en la sección 3.5.

1.11 **“Licencia global de red”** tiene los significados establecidos en la sección 3.6.

1.12 **“Usuarios concurrentes”** tiene el significado establecido en la sección 3.7.

1.13 **“Licencia portátil”** tiene el significado establecido en la sección 3.8.

1.14 **“Licencia de evaluación”** tiene el significado establecido en la sección 3.12.

1.15 **“Sitio”** significa la ubicación física del licenciataria dentro de los límites de una ciudad.

1.16 **“Arquitectura Target”** significa la familia o grupo de dispositivos microcontroladores o microprocesadores integrados que pertenecen a la arquitectura del procesador, como se define en el juego de instrucciones y se especifica en la factura.

1.17 **“Servicios de soporte y actualización”** significa los servicios que se estipulan en la sección 12.

2. TÉRMINOS DEL ACUERDO

2.1 Este acuerdo entrará en vigor a más tardar cuando el licenciataria reciba el software y permanecerá en vigencia por un tiempo indefinido, sujeto a los términos y condiciones estipulados a continuación; en particular en cuanto al derecho que tiene IAR Systems de finalizar el Acuerdo por incumplimiento del licenciataria. El registro del licenciataria como usuario legítimo de los productos con licencia se hará de acuerdo con las instrucciones aplicables de IAR Systems.

2.2 Para evitar cualquier duda: También para el software entregado con una clave de licencia temporal (que se denomina clave de inicio rápido para algunos productos) que permite el uso por un tiempo limitado, los términos del acuerdo se activan, incluso, pero sin limitarse a los términos del pago y las restricciones de uso, cuando el licenciataria haya recibido el software, así se haya o no realizado el registro. (Las licencias con fines de evaluación sin la obligación de pagar los montos por concepto de licencia están disponibles si IAR Systems las proporciona por separado).

3. PROPIEDAD Y OTORGAMIENTO DE LICENCIA

IAR Systems es propietario de los derechos de autor (copyright), secretos comerciales y otros derechos de propiedad intelectual que subsistan en el producto con licencia y todas las copias del mismo. No se trasladará ningún título u otros derechos contenidos en el producto con licencia (excepto los derechos expresamente otorgados en este acuerdo) al licenciataria.

SE OTORGA UNA LICENCIA, NO SE VENDE, AL LICENCIATARIO PARA EL USO SEGÚN LOS TÉRMINOS DE ESTE ACUERDO SOLAMENTE. EL LICENCIATARIO RECONOCE QUE EL PRODUCTO CONSTA DE PRODUCTOS QUE

Acuerdo de licencia de software de IAR

SON PROPIEDAD Y NO SE HAN PUBLICADO DE IAR SYSTEMS, PROTEGIDOS POR LOS DERECHOS DE AUTOR Y LEYES DE SECRETO COMERCIAL INTERNACIONALES.

3.2 Licencia bloqueada en la PC: Los términos 3.2.a y 3.2.b aplicarán si la licencia relevante otorgada es una licencia bloqueada en la PC.

Una licencia bloqueada en la PC es una licencia para un solo usuario que se bloquea en la computadora donde el software está instalado.

3.2.a Sujeto a los términos y condiciones de este Acuerdo, IAR Systems por medio del presente otorga al licenciataria una licencia personal, no transferible y no exclusiva, bloqueada en la PC, para utilizar el software. La cantidad de usuarios autorizados del licenciataria para usar el software según la licencia bloqueada en la PC, si es más de uno, se estipula en la factura u en otro documento de IAR Systems.

3.2.b El licenciataria puede usar la licencia bloqueada en la PC en una sola unidad de cómputo autocontenida (estacionaria o portátil), designada a través de una dirección IP u otro medio de identificación. Al cambiar la computadora asignada por otra computadora se puede permitir la transferencia de la licencia mediante un programa de transferencia proporcionado por IAR System dentro del sistema de administración de licencias. El software no podrá ser accedido por los usuarios desde otras computadoras que no sean la unidad asignada y como se estipula en esta cláusula, a través de un módem, internet u otro medio de acceso de red o remoto.

3.3 Licencia móvil: Los términos 3.3.a y 3.3.b aplicarán si la licencia relevante otorgada es una licencia móvil.

La licencia móvil se proporciona con un bloqueo de hardware (mochila). Un bloqueo de hardware es un dispositivo que se conecta en uno de los puertos externos de la computadora, que permite que el licenciataria mueva la licencia a otra computador. Un bloqueo de hardware es parte del paquete del producto siempre y cuando se pida de manera expresa.

3.3.a Sujeto a los términos y condiciones de este Acuerdo, IAR Systems por medio del presente otorga al licenciataria una licencia personal, no transferible y no exclusiva, móvil, para utilizar el software. La cantidad de usuarios autorizados del licenciataria para usar el software según la licencia móvil, si es más de uno, se estipula en la factura u en otro documento escrito de IAR Systems.

3.3.b La licencia móvil la puede utilizar el licenciataria únicamente en una sola computadora, pero con el derecho de transferir entre la computadora asignada a otra computador usando el bloqueo de hardware. El software no podrá ser accedido por los usuarios desde otras computadoras que no sean la unidad asignada y como se estipula en esta cláusula, a través de un módem, internet u otro medio de acceso de red o remoto.

3.4 Licencia para varios usuarios: Los términos en esta sección 3.4 aplicarán si la licencia del producto otorgada es una licencia para varios usuarios.

Sujeto a los términos y condiciones de este Acuerdo, IAR Systems por medio del presente otorga al licenciataria una licencia personal, no transferible y no exclusiva, para varios usuarios, para utilizar el software. La cantidad de usuarios autorizados del licenciataria para usar el software según la licencia para varios usuarios, si es más de uno, se estipula en la factura u en otro documento escrito de IAR Systems.

3.5 Una licencia de red es una licencia para varios usuarios, ubicada en un solo servidor de licencias, asignada y usada por varios usuarios en una red y en un solo sitio. La licencia de red queda bloqueada en la computadora donde se ejecuta el software del servidor de licencias o en un bloqueo de hardware (mochila). El uso de un bloqueo de hardware permite trasladar la licencia de red a otro servidor, en caso de una falla en el servidor. La licencia de red se puede usar en todas las computadoras del cliente en la red donde se instala el software. Sin embargo, la licencia de red tiene una cantidad máxima de usuarios concurrentes.

3.6. Una **licencia global de red** es una licencia para varios usuarios, ubicada en un servidor de licencias y usada por varios usuarios en una red y que se puede acceder desde varios sitios a nivel global. La licencia global de red queda bloqueada en la computadora donde se ejecuta el software del servidor de licencias o en un bloqueo de hardware (mochila). El uso de un bloqueo de hardware permite trasladar la licencia global de red a otro servidor, en caso de una falla en el servidor. La licencia global de red se puede usar en todas las computadoras del cliente en la red donde se instala el software. Sin embargo, la licencia global de red tiene una cantidad máxima de usuarios concurrentes.

3.7 **Usuarios concurrentes:** Para los productos que son programas de software ejecutable y que cuentan con licencias de red, la definición de uso concurrente la da el software del servidor de licencias, que también mantiene un rastro de la cantidad concurrente de usuarios. Una sesión de usuario de un software ejecutable siempre es de un mínimo de treinta (30) minutos y se estima que dura otros treinta (30) minutos adicionales después de la última activación de licencia en el servidor de licencias. Para los productos que incluyan el código fuente de software, el software se considera que está en uso (concurrente) en una computadora cuando se carga en la memoria temporal (es decir, RAM) o se instala en la memoria permanente (p.ej. disco duro, CD-ROM u otro dispositivo de almacenamiento) de esa computador.

3.8 **Licencia portátil:** Para los productos publicados en el 2012 o posterior que incluyen un nuevo sistema de administración de licencias (LMS) se otorga una licencia portátil. Las licencias portátiles permiten el uso temporal de una licencia de red en una computadora personal que no está conectada a una red hasta por 15 días. La licencia portátil permite el uso de un producto fuera de un sitio asignado.

3.9 **Licencia de código fuente:** Si el licenciataria del producto recibe los módulos de software aquí mencionados o sus componentes en formato de código fuente ("código fuente de software"), se aplicarán las siguientes condiciones a dicho código fuente de software, además de todas las demás condiciones de este acuerdo:

Acuerdo de licencia de software de IAR

El licenciatarlo solo puede usar dicho código fuente de software con el producto y el código fuente de software o cualquier obra derivada del mismo. El código fuente del software solo se puede compilar y vincular con productos de IAR Systems y solo de acuerdo con las condiciones de dicho uso estipuladas en la documentación y/o este Acuerdo. Se prohíbe estrictamente que el licenciatarlo haga cualquier otro uso del código fuente del software. Cualquier violación de esta sección 3.9 se considerará una violación material de este acuerdo.

EL LICENCIATARIO ACUERDA QUE EL CÓDIGO FUENTE DEL SOFTWARE GRABA INFORMACIÓN CON DERECHOS DE AUTOR Y QUE ES PROPIEDAD DE IAR SYSTEMS Y QUE HACER QUE EL CÓDIGO FUENTE DEL SOFTWARE SEA ACCESIBLE PARA OTRAS PERSONAS FUERA DEL ALCANCE DE ESTE ACUERDO, DEBIDO A LA NATURALEZA DEL CÓDIGO FUENTE, PERJUDICA SEVERAMENTE LOS DERECHOS DE PROPIEDAD INTELECTUAL DE IAR SYSTEMS, Y ACUERDA COMPENSAR A IAR POR TODOS LOS DAÑOS QUE RESULTEN DE DICHA VIOLACIÓN QUE PUEDAN SER COMPROBADOS, DE MANERA RAZONABLE, POR IAR.

El licenciatarlo mantendrá y protegerá el código fuente del software con por lo menos la misma cantidad de cuidado que lo hace con el código fuente de su propiedad, según se especifica adicionalmente en la sección 5.

3.10 Si el producto que recibe el licenciatarlo según este acuerdo contiene software de terceros, el uso de dicho software de terceros puede estar restringido a una arquitectura Target específica. Consulte la sección 11.2 a continuación.

3.11 Copias de respaldo: El licenciatarlo podrá realizar copias de respaldo del software en forma de código ejecutable por computadora, solo para ser usado en caso y siempre que la copia del software recibido de IAR Systems no funcione, se pierda, dañe o destruya. El licenciatarlo garantiza que no hará ninguna otra copia del software y no permitirá, autorizará o asistirá a otras personas para que copien ninguna parte o la totalidad del software, de ninguna manera, sin el consentimiento previo y por escrito de IAR Systems. No deberá haber más copias de las necesarias como parte del ciclo de respaldo razonable para el licenciatarlo. El licenciatarlo puede mantener las copias de respaldo del software en una caja de seguridad bancaria u otro sitio seguro que normalmente use el licenciatarlo para el almacenamiento de los respaldos de sus programas de computación. Los derechos del licenciatarlo bajo esta sección en ningún caso podrán incluir ninguna medida que altere o disminuya la función de la protección del software incluida en el software.

3.12 Una **licencia de evaluación** solo se debe usar para realizar pruebas y para fines de evaluación. Cualquier otro uso que no sea para realizar pruebas o evaluación queda prohibido. IAR Systems no tiene la obligación de proporcionar soporte, servicios relacionados o garantías. DE NINGUNA MANERA IAR SYSTEMS SERÁ RESPONSABLE AL OTRO POR DAÑOS DIRECTOS, INDIRECTOS, CIRCUNSTANCIALES, ESPECIALES, CONSECUENTES, PUNITIVOS O AGRAVIOS DE NINGÚN TIPO, INCLUSO, PERO SIN LIMITARSE A, LA PÉRDIDA DE GANANCIAS, DEBIDO A O QUE SURJAN DEL USO O RENDIMIENTO DEL SOFTWARE, MATERIALES DE SOPORTE O EL SUMINISTRO DE SERVICIOS, AUNQUE LA OTRA PARTE HAYA SIDO ADVERTIDA SOBRE LA POSIBILIDAD DE QUE OCURRAN DICHOS DAÑOS.

La sección 11 de este acuerdo de licencia de software también se puede aplicar a la licencia de evaluación.

4. RESTRICCIONES DE LA LICENCIA

4.1 El licenciatarlo no puede eliminar, hacer emulaciones, realizar ingeniería inversa, descompilar o desarmar el software ejecutable. El licenciatarlo no puede derivar el código fuente o de compilación de los archivos proporcionados en formato ejecutable u objeto. El licenciatarlo acepta que la información obtenida sobre el software es la propiedad intelectual valiosa de IAR Systems y como tal debe ser tratada como confidencial, según se describe en el artículo 5. El licenciatarlo garantiza que no venderá, otorgará licencias, alquilará, prestará, transmitirá, pondrá en red, comunicará o de otra forma distribuirá o transferirá el software de ninguna manera a un tercero, de manera temporal o permanente, excepto según lo que se establece en este acuerdo. Adicionalmente, el licenciatarlo garantiza que no utilizará o permitirá el uso de (incluso, pero sin limitación por el tiempo compartido o uso de red) el software para el beneficio de una entidad que no sea el licenciatarlo; o en un negocio de servicio de computación; hacer copias no autorizadas de la documentación; hacer traducciones verbales o en medios de la documentación; hacer transmisiones de datos de telecomunicación del software; usar pasarelas de largo alcance o cualquier unidad de procesamiento central en el que se almacena el software. También se le prohíbe expresamente al licenciatarlo adaptar, modificar, revisar, improvisar, actualizar, mejorar o crear obras derivadas del software ejecutable con cualquier fin, incluso la corrección de errores o cualquier otro tipo de mantenimiento.

4.2 El licenciatarlo mantendrá registros del uso del software que haga el licenciatarlo. El licenciatarlo hará disponibles los registros a IAR Systems o a un tercero neutral, luego de recibir aviso razonable, tal y como lo acuerden las partes. En caso de la auditoría por un tercero neutral, IAR Systems y el licenciatarlo asignarán conjuntamente y de buena fe a un auditor. Si no se llega a dicho acuerdo en los 60 días siguientes al aviso de IAR Systems, entonces las partes acuerdan que el Business Software Alliance realizará dicha auditoría o elegirá a un auditor. El licenciatarlo permitirá a IAR Systems o a un tercero, según sea el caso, para que tenga acceso a los registros del licenciatarlo y a los sistemas de computación y las herramientas de auditoría del software utilizadas en los sistemas del licenciatarlo para asegurar que el licenciatarlo está usando el software de acuerdo con los términos de la licencia aplicable. A petición del licenciatarlo, la parte que realiza la auditoría con el licenciatarlo establecerá un acuerdo de no divulgación con el licenciatarlo para proteger su propiedad y/o información confidencial. La información recuperada y/o transmitida a IAR Systems como resultado de dicha auditoría, como se describe en este acuerdo, se limitará para solo asegurar que el licenciatarlo esté utilizando su software de acuerdo con los términos de la licencia aplicable o para obtener pruebas de lo contrario.

4.3 Sujeto a los otros términos de este acuerdo y siendo el licenciatarlo responsable completamente por todas las acciones u omisiones de dichos consultores, el licenciatarlo puede dejar que un consultor use el software para trabajar únicamente

Acuerdo de licencia de software de IAR

por parte del licenciataria con los fines de la licencia, siempre y cuando el software no se use con ningún otro fin o por un tercero.

4.4 Por cada una de las violaciones por parte del licenciataria a este acuerdo, se cobrará una penalidad contractual de 200% por cada violación según las secciones 3.2, 3.3, 3.4, 3.5, 3.6, 3.11, 4.1 o 4.3 y 1000% por cada violación según la sección 3.8 del monto aplicable al licenciataria según la factura relevante y deberá ser pagada por el licenciataria a IAR Systems. En caso de que los daños reales de IAR Systems debido a una violación excedan este monto, también el saldo restante será pagado por el licenciataria; vea también la sección 3.8.

5. CONFIDENCIALIDAD

5.1 El licenciataria acuerda que todos los materiales e información sobre el software están disponible para el uso únicamente bajo y según las condiciones de este Acuerdo. El licenciataria no tiene ningún derecho en ningún momento durante o después de la cancelación o fin de este Acuerdo de divulgar dichos materiales y/o información sobre el software, bien sea directa o indirectamente, a un tercero sin la autorización previa por escrito de IAR Systems. El licenciataria acuerda no responsabilizar, defender e indemnizar a IAR Systems por cualesquiera y todas las pérdidas, costos, daños y gastos que surjan o que formen parte del incumplimiento del licenciataria con los requisitos de este artículo 5. Las obligaciones de confidencialidad del licenciataria especificadas en este Acuerdo permanecerán vigentes después de la cancelación o fin, por cualquier razón, de este Acuerdo.

6. TÉRMINOS Y CONDICIONES DE PAGO

6.1 En consideración de los derechos otorgados y servicios proporcionados por IAR Systems bajo este Acuerdo, el licenciataria pagará los costos de la licencia para el software, según se especifica en la factura. Los pagos se harán según el cronograma de pagos estipulado en la factura o, si no se estipula, las facturas se deben pagar dentro de 30 días de la fecha de emisión las mismas.

6.2 Si el licenciataria no realiza el pago dentro del tiempo estipulado, IAR Systems o IAM Distributors tendrá derecho a a) cobrar intereses después de la fecha de vencimiento, según se estipula en la factura o, si no se estipula en la factura, los intereses cobrados se basarán en la tasa de referencia establecida por el banco central de Suecia (Riksbank) + 8%, b) posponer el cumplimiento de sus propias obligaciones hasta que se hagan los pagos y/o c) terminar el Acuerdo avisando por escrito al licenciataria y recuperar de éste cualesquiera y todas las pérdidas.

6.3 Todos los precios excluyen, y el licenciataria es responsable por, todos los costos e impuestos, incluso los costos aduanales, de importación, ventas, uso, retención, ganancias brutas y los demás impuestos, cobros y gastos cobrados o incurridos en conexión con el suministro de bienes y servicios bajo este Acuerdo.

7. GARANTÍA LIMITADA

7.1 IAR Systems garantiza que los medios en los que se graba el software al recibir la licencia estarán libres de defectos en los materiales y en la mano de obra bajo uso normal durante un periodo de noventa (90) días a partir de la fecha de entrega al licenciataria. Después de recibir los medios devueltos, durante el periodo de garantía IAR Systems, a su opción, reparará o reemplazará, sin costo alguno, los medios defectuosos en los que se suministró el software y grabará una copia del software en el medio reparado o de reemplazo. Dicha reparación o reemplazo será la única solución para el licenciataria bajo esta garantía de los medios. A pesar de lo anterior, IAR Systems no tendrá ninguna responsabilidad de reparar o reemplazar los medios que, según la opinión de IAR Systems, hayan sido dañados por el licenciataria por accidente, abuso o como resultado del intento de realizar el mantenimiento por su cuenta.

7.2 IAR Systems no garantiza que el software cumplirá con los requisitos del licenciataria o que el funcionamiento del software será ininterrumpido y sin errores. El licenciataria es el único responsable de seleccionar el software para lograr los resultados deseados o por los resultados que realmente se logran.

7.3 La anterior garantía no aplica a las condiciones que resulten del uso indebido, causas externas, incluso el servicio o modificaciones que no sean realizadas por IAR Systems o un contratado designado por IAR Systems, o el funcionamiento fuera de los parámetros ambientales especificados. IAR Systems no será responsable por el funcionamiento del software que no se realice en el equipo anfitrión especificado en la factura y junto con el entorno operativo asignado para cada versión del software. Las desviaciones menores de la garantía anterior, que son de poca importancia para el uso proyectado del software y que no ocasionen sino pequeños inconvenientes para el licenciataria, no se considerarán violaciones de la garantía anterior.

7.4 LA GARANTÍA ANTERIOR ES LA ÚNICA QUE OTORGA IAR SYSTEMS EN CUANTO AL SOFTWARE Y ESTE ACUERDO Y, A MENOS QUE SE INDIQUE EN ESTE ACUERDO, NO HAY OTRA GARANTÍA O CONDICIÓN, EXPRESA O IMPLÍCITA, QUE SE APLIQUE Y EL LICENCIATARIO NO HARÁ OTRO RECLAMO SOBRE EL RENDIMIENTO O FALTA DE RENDIMIENTO DEL SOFTWARE. IAR SYSTEMS ESPECÍFICAMENTE EXCLUYE TODAS LAS DEMÁS GARANTÍAS, REPRESENTACIONES O COMPROMISOS, EXPRESOS, IMPLÍCITOS O ESTATUTARIOS, INCLUSO, PERO SIN LIMITARSE A CUALQUIER GARANTÍA DE COMERCIALIZACIÓN E IDONEIDAD PARA UN FIN PARTICULAR O CUALQUIER OTRA OBLIGACIÓN DEBIDO A LA GARANTÍA POR PARTE DE IAR SYSTEMS.

7.5 IAR Systems expresamente renuncia a cualquier responsabilidad por cualquier solución de hardware o software del licenciataria que pueda afectar el rendimiento del software, incluso, pero sin limitarse a las configuraciones de red.

7.6 Las condiciones de este artículo 7 permanecerán vigentes después del vencimiento o fin de este acuerdo.

Acuerdo de licencia de software de IAR

8. VIOLACIÓN DE LA PROPIEDAD INTELECTUAL

8.1 IAR Systems de la manera estipulada en 8.2 y sujeto a las limitaciones contenidas aquí, tomará acción sobre cualquier acción contra el licenciatarlo en la medida que se fundamente en un reclamo de que el software, como existe para la fecha de la factura, viola cualquier patente o derecho de autor debidamente emitida según las leyes del país en que se encuentre registrado el licenciatarlo de IAR Systems.

8.2 IAR Systems, de la manera que se estipula a continuación, como única solución, tomará acción contra un tercero que alegue que el software viola los derechos de propiedad intelectual de dicha parte, siempre que IAR Systems reciba notificación de manera expedita sobre dicho reclamo y que reciba información, asistencia razonable y la autoridad única para defenderse o llegar a un acuerdo sobre el reclamo. IAR Systems podrá, a su opción, obtener el derecho para que el licenciatarlo continúe usando el producto IAR que viola las condiciones, reemplazar o modificar el producto que viola las condiciones hasta que deje de violarlas o, si dicho reemplazo o modificación no está razonablemente disponible, dar por terminada esta licencia respecto al producto que viola las condiciones y proporcionar un reembolso razonable de los costos pagados por el licenciatarlo a IAR Systems por el producto IAR afectado.

8.3 IAR Systems no será responsable si la supuesta violación resultara del uso no autorizado del software, modificaciones realizadas después de la entrega que no sean de IAR Systems o la combinación con otros productos o dispositivos no proporcionados por IAR Systems. **LAS OBLIGACIONES ESTIPULADAS EN ESTA SECCIÓN SON LA ÚNICA RESPONSABILIDAD DE IAR SYSTEMS Y LA ÚNICA SOLUCIÓN DISPONIBLE AL LICENCIATARIO POR LAS VIOLACIONES DE PATENTES Y DERECHOS DE AUTOR. PARA EVITAR CUALQUIER DUDA: LA RESPONSABILIDAD DE IAR SYSTEMS BAJO ESTA SECCIÓN 8 NUNCA EXCEDERÁ EL COSTO DE LA LICENCIA PAGADO POR EL LICENCIATARIO.**

9. FUERZA MAYOR

9.1 Cualquiera de las partes quedará eximida de cumplir todas las obligaciones pautadas en este Acuerdo durante y hasta que dure la prevención del rendimiento o se demore mediante una disputa industrial o cualquier otra causa más allá del control razonable, tal como, pero sin limitarse a los disturbios, inundaciones, guerras, hostilidades bélicas, incendios, embargos, carencias de mano de obra, energía, combustible, medios de transporte o la falta común de otras necesidades. Una parte que desee solicitar el desagravio según este artículo deberá notificar a la otra parte por escrito sobre la intervención y sobre la cesación de dicha circunstancia.

10. LIMITACIÓN DE LA RESPONSABILIDAD LEGAL

10.1 EL USO DEL SOFTWARE Y TODAS LAS CONSECUENCIAS QUE ÉSTE CONLLEVE SON RESPONSABILIDAD ÚNICA DEL LICENCIATARIO. IAR SYSTEMS NO SERÁ RESPONSABLE AL LICENCIATARIO POR NINGUNA PÉRDIDA O DAÑO CAUSADO, DIRECTA O INDIRECTAMENTE POR EL SOFTWARE, EL USO DEL MISMO O DE CUALQUIER OTRA FORMA.

10.2 LA RESPONSABILIDAD DE IAR SYSTEMS FRENTE AL LICENCIATARIO BAJO ESTE ACUERDO EN TODA CIRCUNSTANCIA SERÁ LIMITADA AL CINCUENTA (50) POR CIENTO DEL COSTO DE LA LICENCIA DEL SOFTWARE PAGADO POR EL LICENCIATARIO SEGÚN ESTE ACUERDO, SIEMPRE Y CUANDO, SIN EMBARGO, QUE LA SECCIÓN 8 SEA APLICABLE, LA RESPONSABILIDAD TOTAL DE IAR SYSTEMS, SEGÚN ESTE ACUERDO, NUNCA PODRÁ EXCEDER EL 100% DEL COSTO PAGADO POR LA LICENCIA POR EL LICENCIATARIO DE DICHO SOFTWARE.

10.3 IAR SYSTEMS NO SERÁ RESPONSABLE DE NINGUNA MANERA AL LICENCIATARIO SEGÚN ESTE ACUERDO POR DAÑOS ESPECIALES, INDIRECTOS, CIRCUNSTANCIALES O CONSECUENTES, SEGÚN NINGUNA TEORÍA LEGAL, TAL COMO LA PÉRDIDA DE DATOS, INTERRUPTIÓN O COSTOS POR TIEMPO DE INDISPONIBILIDAD Y COSTOS DE CAPITAL O RECLAMO DE TERCEROS, YA SEA POR DEFECTOS, RENDIMIENTO, FALTA DE RENDIMIENTO, DEMORAS, LESIONES PERSONALES, DAÑOS A LA PROPIEDAD U OTROS, SIN IMPORTAR QUE IAR SYSTEMS HAYA SIDO AVISADO DE LA POSIBILIDAD DE QUE OCURRAN DICHOS DAÑOS.

10.4 NADA EN ESTE ACUERDO EXCLUIRÁ O LIMITARÁ LA RESPONSABILIDAD BAJO LA LEY COMPULSORIA DE IAR SYSTEMS DEBIDO A LA MUERTE O LESIONES PERSONALES QUE RESULTEN DE SU NEGLIGENCIA.

10.5 Las condiciones de este artículo 10 permanecerán vigentes después de la cancelación o fin de este acuerdo.

11. DERECHOS DE TERCEROS

11.1 IAR Embedded Workbench para Eclipse incluye materiales de Eclipse. Esta licencia no se aplica a dicho material de Eclipse y esto no se incluye bajo el término "Software" de esta licencia. Usted acuerda cumplir con todos los términos y condiciones que se le imponen respecto a dichos materiales de Eclipse.

11.1.1 Los materiales de Eclipse cuentan con licencia de Eclipse Public License (EPL), versión 1.0, cuya copia se incluye con los materiales Eclipse y también está disponible en <http://www.opensource.org/licenses/eclipse-1.0.php>.

11.2 IAR Embedded Workbench puede incluir software de terceros. Además de todas las otras condiciones incluidas en esta licencia, el software de terceros también está sujeto a los términos y condiciones adicionales que rigen dicho software de terceros. Estos términos adicionales se agregan a los términos de esta licencia y reemplazan cualquier término inconsistente o contradictorio de esta licencia, en lo que respecta al software de terceros. Si el producto que recibe el licenciatarlo por medio de la presente contiene software de terceros, el licenciatarlo acuerda cumplir todos los términos y condiciones impuestos al licenciatarlo respecto a dicho software de terceros.

11.2.1 El software de terceros está sujeto a los términos adicionales de cada tercero y una copia de los términos adicionales se encuentra en <http://www.iar.com/en/products/software-licenses>.

Acuerdo de licencia de software de IAR

12. ACUERDO DE SOPORTE Y ACTUALIZACIÓN (SUA)

12.1 Excluyendo lo que se especifica en la sección 12.2 y/o la sección 7 de este Acuerdo, este Acuerdo no otorga al licenciataria ningún derecho a mejoras, modificaciones, realces o actualizaciones del software, ni a ningún otro servicio de soporte respecto al software.

12.2 Según la medida en que la licencia otorgada incluye el servicio de soporte y actualización por tiempo limitado, el licenciataria podrá obtener los servicios definidos en el Acuerdo de soporte y actualización (“SUA”) anexo. En caso de que la licencia otorgada no incluya los servicios de soporte y actualización o en caso de que dichos servicios hayan terminado, el licenciataria podrá, según la naturaleza de la licencia otorgada, comprar periodos adicionales de servicios de soporte y actualización.

12.3 El uso de mejoras, modificaciones, realces o actualizaciones recibidos por el licenciataria bajo el Acuerdo de soporte y actualización (SUA) de IAR Systems o recibidos según la sección 7 de este Acuerdo, se regirá por los términos y condiciones contenidos en el presente Acuerdo.

13. FIN DEL ACUERDO

13.1 IAR Systems tendrá el derecho de poner fin a este Acuerdo, con efecto inmediato, si el licenciataria viola cualquiera de sus obligaciones bajo este Acuerdo, incluso, pero sin limitarse a (a) el uso del software de una forma distinta a los derechos otorgados en el artículo 3 y 4, (b) la violación de las condiciones de confidencialidad del artículo 5 o (c) la falta del licenciataria de remitir pagos según el artículo 6.

13.2 Este Acuerdo finalizará de inmediato y sin aviso si el licenciataria deja de pagar, entra en quiebra o está insolvente, o si entra en la fase de liquidación o se considera insolvente de cualquier otra forma.

13.3 Al IAR Systems poner fin a este Acuerdo, como se establece en este artículo, IAR Systems podrá, a su opción, y además de cualquier otro derecho estipulado en este acuerdo, además de cualquier otra solución disponible a IAR Systems según las leyes, solicitar por escrito al licenciataria que devuelva o destruya todas las versiones del software y la documentación relacionada al mismo en cualquier medio y en cualquier otra forma que se encuentre en manos del licenciataria. El licenciataria proporcionará la confirmación por escrito a IAR Systems de que el material relacionado al software y su funcionamiento han sido devueltos a IAR Systems o han sido destruidos. Las condiciones de esta sección 13.3 permanecerán vigentes después de la cancelación o fin de este acuerdo.

14. NORMATIVAS DE CONTROL DE EXPORTACIÓN

14.1 El software y la documentación están sujetos a las normativas de exportación e importación de varios países, incluso las normativas de la Ley de administración de exportación de Estados Unidos. El licenciataria acuerda que, a sabiendas, (a) no exportará o reexportará, directa o indirectamente, ningún producto o datos técnicos o ningún producto controlado restringido por las normativas nacionales aplicables, incluso el software, recibido de IAR Systems según este acuerdo, (b) no divulgará dichos datos técnicos para el uso en o (c) no exportará o reexportará, directa o indirectamente, cualquier producto directo como los datos técnicos o de dichos otros productos controlados, incluso el software, a ningún destino al cual dicha exportación o reexportación esté restringida o prohibida por las leyes estadounidenses o leyes aplicables que no sean de Estados Unidos, sin antes obtener el consentimiento por escrito de IAR Systems.

15. MISCELÁNEOS

15.1 Este Acuerdo no podrá, en ninguna situación, asignarse o transferirse, completa o parcialmente por ninguna de las dos partes, sin la aprobación previa por escrito de la otra parte. No obstante, IAR Systems tiene derecho de asignar este Acuerdo, total o parcialmente, a una empresa dentro de IAR Systems Group, e IAR Systems podrá asignar este acuerdo, sin penalización o detrimento a sus derechos bajo este Acuerdo y sin el consentimiento previo del licenciataria, en caso de una fusión o reorganización similar o venta de prácticamente todos los bienes de IAR Systems.

15.2 Ninguna modificación o enmienda a este Acuerdo tendrá validez a menos que dicha modificación o enmienda se haga por escrito y que ambas partes la firmen.

15.3 Cualquier notificación u otra comunicación según este Acuerdo se debe hacer por escrito, a mano o por telefax (confirmado por correo aéreo) o por correo aéreo certificado o registrado con estampilla prepagada de primera clase a las partes, enviado a las direcciones que se encuentran en la factura (o a otras direcciones que especifique la parte por escrito a la otra parte).

15.4 Este acuerdo contiene todo el entendimiento entre las partes sobre este tema y anula y reemplaza todos los demás acuerdos o entendimientos, escritos u orales, que puedan o pudieron haber existido entre las partes referentes al contenido del presente Acuerdo.

15.5 Este acuerdo debe regirse por e interpretarse según el peso de los tribunales del país en que se incorporó IAR Systems. Cualquier disputa sobre este acuerdo o la interpretación o validez del mismo, o cualquier otra disputa sobre el mismo, se debe llevar ante los tribunales del país en que se incorporó IAR Systems.

15.6 Las condiciones de este artículo 15 permanecerán vigentes después de la cancelación o fin de este acuerdo. Este documento contiene Notificaciones de software de terceros y/o Términos y condiciones adicionales para componentes de software de terceros con licencia incluidos dentro del producto de software **IAR Embedded Workbench** de IAR Systems. Estas notificaciones y/o términos y condiciones adicionales se hacen como parte de y se incorporan por referencia en el Acuerdo de licencia de software IAR.

Acuerdo de licencia de software de IAR

1. Componentes que se usan internamente en IAR Embedded Workbench

Software de terceros	Avisos/Términos
SCINTILLA	<p>Licencia de Scintilla y SciTE Copyright 1998-2002 por Neil Hodgson. Todos los derechos reservados. Se autoriza el uso, copia, modificación y distribución de este software y su documentación para cualquier fin y sin costo, siempre que la notificación de derechos de autor (copyright) anterior aparezca en todas las copias y que tanto la notificación de derechos de autor y como esta notificación de autorización aparezcan en la documentación.</p> <p>NEIL HODGSON RENUNCIA A TODAS LAS GARANTÍAS EN CUANTO A ESTE SOFTWARE, INCLUSO A TODAS LAS GARANTÍAS DE COMERCIABILIDAD E IDONEIDAD. EN NINGÚN CASO NEIL HODGSON SERÁ RESPONSABLE POR DAÑOS ESPECIALES, INDIRECTOS O CONSECUENTES O CUALQUIER OTRO DAÑO QUE RESULTE EN LA PÉRDIDA DE USO, DATOS O GANANCIAS, YA SEA UN EFECTO DEL CONTRATO, NEGLIGENCIA U OTRA ACCIÓN AGRAVIANTE QUE SURJA DE O EN CONEXIÓN AL USO O RENDIMIENTO DE ESTE SOFTWARE.</p>
IBM ICU	<p>Licencia ICU - ICU 1.8.1 o posterior AVISO DE COPYRIGHT Y AUTORIZACIÓN Copyright (c) 1995-2003 International Business Machines Corporation y otros Todos los derechos reservados.</p> <p>Por medio del presente se autoriza, sin costo, a cualquier persona que obtenga una copia de este software y los archivos de documentación asociada (el "software") para que realice lo que quiera con el software sin restricción, incluso, pero sin limitarse al derecho de usar, copiar, modificar, fusionar, publicar, distribuir y/o vender copias del software y permitir que las personas a las que se le proporciona el software para que lo hagan, siempre y cuando los avisos anteriores de derechos de autor (copyright) y este aviso de autorización aparezcan en todas las copias del software y que ambas notificaciones anteriores de derechos de autor anteriores y esta notificación de autorización en la documentación de apoyo.</p> <p>ESTE SOFTWARE SE PROPORCIONA "TAL CUAL", SIN GARANTÍA DE NINGÚN TIPO, EXPRESA O IMPLÍCITA, INCLUSO, PERO SIN LIMITARSE A LAS GARANTÍAS DE COMERCIABILIDAD, IDONEIDAD PARA UN FIN PARTICULAR Y LA INVOLABILIDAD DE LOS DERECHOS DE TERCEROS. EN NINGÚN CASO EL O LOS TITULARES DE LOS DERECHOS DE AUTOR (COPYRIGHT) SERÁN RESPONSABLES POR CUALQUIER RECLAMO O POR DAÑOS ESPECIALES, INDIRECTOS O CONSECUENTES O CUALQUIER OTRO DAÑO CAUSADO POR LA PÉRDIDA DE USO, DATOS O GANANCIAS, YA SEA UN EFECTO DEL CONTRATO, NEGLIGENCIA U OTRA ACCIÓN AGRAVIANTE QUE SURJA DE O EN CONEXIÓN AL USO O RENDIMIENTO DE ESTE SOFTWARE.</p> <p>Excepto lo expresado en esta notificación, el nombre del dueño de los derechos de autor (copyright) no se utilizará en la publicidad o para promocionar de otra manera la venta, uso u otras transacciones con este software sin la autorización previa por escrito por parte del dueño de los derechos de autor. Todas las marcas comerciales y registradas que aparecen en este documento son propiedad de sus respectivos dueños</p>

Acuerdo de licencia de software de IAR

<p>Apache</p>	<p>Licencia de software Apache, versión 1.1 Copyright (c) 1999-2003 The Apache Software Foundation. Todos los derechos reservados. Se permite la redistribución y uso en formatos de fuente y binarios, con o sin modificación, siempre que se cumplan las siguiente condiciones:</p> <ol style="list-style-type: none"> 1. Las redistribuciones del código fuente deben retener la anterior notificación de derechos de autor (copyright), esta lista de condiciones y el siguiente descargo de responsabilidad. 2. Las redistribuciones en formato binario deben reproducir la anterior notificación de derechos de autor (copyright), esta lista de condiciones y el siguiente descargo de responsabilidad en la documentación y/u otros materiales proporcionados con la distribución. 3. La documentación para el usuario final incluida con la redistribución, si la hay, debe incluir el siguiente reconocimiento: "Este producto incluye software desarrollado por Apache Software Foundation (http://www.apache.org/).” Alternativamente, este reconocimiento puede aparecer en el software mismo, si y donde dichos reconocimientos de terceros aparecen normalmente. 4. Los nombres "Xerces" y "Apache Software Foundation" no se deben utilizar para respaldar o promocionar productos derivados de este software sin la autorización previa por escrito. Para obtener la autorización por escrito, sírvase contactar con apache@apache.org. 5. Los productos derivados de este software no pueden denominarse "Apache", ni podrá aparecer "Apache" en el nombre, sin la autorización previa por escrito de Apache Software Foundation. <p>ESTE SOFTWARE SE PROPORCIONA "TAL CUAL", Y SE RENUNCIA A CUALQUIER GARANTÍA, EXPRESA O IMPLÍCITA, INCLUSO, PERO SIN LIMITARSE A LAS GARANTÍAS DE COMERCIABILIDAD, IDONEIDAD PARA UN FIN PARTICULAR. EN NINGÚN CASO APACHE SOFTWARE FOUNDATION O SUS CONTRIBUIDORES SERÁN RESPONSABLE POR NINGÚN DAÑO DIRECTO, INDIRECTO, CIRCUNSTANCIAL, ESPECIAL, EJEMPLAR O CONSECUENTE (INCLUSO, PERO SIN LIMITARSE A OBTENER BIENES Y SERVICIOS SUSTITUTOS; PÉRDIDA DE USO, DATOS O GANANCIAS; O INTERRUPCIONES COMERCIALES) CAUSADOS DE ALGUNA FORMA Y BASADOS EN CUALQUIER TEORÍA DE RESPONSABILIDAD, YA SEA POR CONTRATO, RESPONSABILIDAD ESTRICTA O AGRAVIO (INCLUSO LA NEGLIGENCIA U OTRO) QUE SURJA DE CUALQUIER FORMA DEL USO DE ESTE SOFTWARE, AÚN SI HA SIDO INFORMADO DE LA POSIBILIDAD DE DICHO DAÑO.</p> <p>Este software consta de contribuciones voluntarias hechas por muchas personas por parte de Apache Software Foundation y se basó originalmente en derechos de autor de software (c) 1999, International Business Machines, Inc., http://www.ibm.com. Para obtener más información sobre Apache Software Foundation, vea <http://www.apache.org/></p>
<p>LLVM</p>	<p>Licencia de liberación LLVM Universidad de Illinois/NCSA. Licencia Open Source Copyright (c) 2003-2011 Universidad de Illinois en Urbana-Champaign. Todos los derechos reservados. Desarrollado por: LLVM Team Universidad de Illinois en Urbana-Champaign. http://llvm.org Por medio del presente se autoriza, sin costo, a cualquier persona que obtenga una copia de este software y los archivos de documentación asociada (el "software") para que realice lo que quiera con el software sin restricción, incluso, pero sin limitarse al derecho de usar, copiar, modificar, fusionar, publicar, distribuir, ofrecer sublicencias y/o vender copias del software y permitir que las personas a las que se le proporciona el software para que lo hagan, sujeto a las siguientes condiciones:</p> <p>*Las redistribuciones del código fuente deben retener la anterior notificación de derechos de autor (copyright), esta lista de condiciones y los siguientes descargos de responsabilidad. *Las redistribuciones en formato binario deben reproducir la anterior notificación de derechos de autor (copyright), esta lista de condiciones y los siguientes descargos de responsabilidad en la documentación y/u otros materiales proporcionados con la distribución. *Ni el nombre del equipo LLVM, Universidad de Illinois en Urbana-Champaign, ni los nombres de sus contribuidores se pueden usar para respaldar o promocionar los productos derivados de este software sin la autorización específica por escrito.</p> <p>ESTE SOFTWARE SE PROPORCIONA "TAL CUAL", SIN GARANTÍA DE NINGÚN TIPO, EXPRESA O IMPLÍCITA, INCLUSO, PERO SIN LIMITARSE A LAS GARANTÍAS DE COMERCIABILIDAD, IDONEIDAD PARA UN FIN PARTICULAR Y LA INVIOLABILIDAD. EN NINGÚN CASO SERÁN RESPONSABLES LOS CONTRIBUIDORES O PROPIETARIOS DE LOS DERECHOS DE AUTOR POR NINGÚN RECLAMO, DAÑOS U OTRA RESPONSABILIDAD, BIEN SEA COMO ACCIÓN DE CONTRATO, AGRAVIO O CUALQUIER OTRO QUE SURJA DE O EN CONEXIÓN CON EL SOFTWARE O EL USO U OTRO MANEJO DEL SOFTWARE.</p>

Acuerdo de licencia de software de IAR

<p>Boost C++ Libraries</p>	<p>Licencia de software Boost - versión 1.0 - 17 de agosto de 2003 Por medio del presente se autoriza, sin costo, a cualquier persona u organización que obtenga una copia del software y la documentación que lo acompaña amparada por esta licencia (el "software") para usar, reproducir, mostrar, distribuir, ejecutar y transmitir el software y preparar trabajos derivados del software y permitir a terceros a los que se les proporciona el software para que lo hagan, todo sujeto a lo siguiente: Las notificaciones de derechos de autor (copyright) en el software y toda esta declaración, incluso el otorgamiento de licencia anterior, esta restricción y el descargo de responsabilidad siguiente, deben incluirse en las copias del software, parcial o totalmente y en todas las obras derivadas del software, a menos que dichas copias o trabajos derivados se ofrezcan únicamente en código objeto ejecutable por máquina generado por un procesador de lenguaje fuente. ESTE SOFTWARE SE PROPORCIONA "TAL CUAL", SIN GARANTÍA DE NINGÚN TIPO, EXPRESA O IMPLÍCITA, INCLUSO, PERO SIN LIMITARSE A LAS GARANTÍAS DE COMERCIALIZACIÓN, IDONEIDAD PARA UN FIN PARTICULAR TÍTULO Y LA INVOLABILIDAD. EN NINGÚN CASO SERÁN RESPONSABLES LOS PROPIETARIOS DE LOS DERECHOS DE AUTOR O CUALQUIERA QUE DISTRIBUYA EL SOFTWARE POR NINGÚN DAÑO U OTRA RESPONSABILIDAD, BIEN POR CONTRATO, AGRAVIO O CUALQUIER OTRO QUE SURJA DE O EN CONEXIÓN CON EL SOFTWARE O EL USO U OTRO MANEJO DEL SOFTWARE.</p>
<p>Protocol Buffers</p>	<p>Protocol Buffers - Formato de intercambio de datos de Google Copyright 2008 Google Inc. Todos los derechos reservados. http://code.google.com/p/protobuf/ Se permite la redistribución y uso en formatos de fuente y binarios, con o sin modificación, siempre que se cumplan las siguientes condiciones: *Las redistribuciones del código fuente deben retener la anterior notificación de derechos de autor (copyright), esta lista de condiciones y el siguiente descargo de responsabilidad. *Las redistribuciones en formato binario deben reproducir la anterior notificación de derechos de autor (copyright), esta lista de condiciones y el siguiente descargo de responsabilidad en la documentación y/u otros materiales proporcionados con la distribución. *Ni el nombre de Google Inc. ni los nombres de sus contribuidores se pueden usar para respaldar o promocionar los productos derivados de este software sin la autorización específica por escrito. LOS PROPIETARIOS DE LOS DERECHOS DE AUTOR PROPORCIONAN ESTE SOFTWARE "TAL CUAL", Y SE RENUNCIA A CUALQUIER GARANTÍA, EXPRESA O IMPLÍCITA, INCLUSO, PERO SIN LIMITARSE A LAS GARANTÍAS DE COMERCIALIZACIÓN, IDONEIDAD PARA UN FIN PARTICULAR. EN NINGÚN CASO EL DUEÑO DE LOS DERECHOS DE AUTOR O SUS CONTRIBUIDORES SERÁN RESPONSABLES POR NINGÚN DAÑO DIRECTO, INDIRECTO, CIRCUNSTANCIAL, ESPECIAL, EJEMPLAR O CONSECUENTE (INCLUSO, PERO SIN LIMITARSE A OBTENER BIENES Y SERVICIOS SUSTITUTOS; PÉRDIDA DE USO, DATOS O GANANCIAS; O INTERRUPCIONES COMERCIALES) CAUSADOS DE ALGUNA FORMA Y BASADOS EN CUALQUIER TEORÍA DE RESPONSABILIDAD, YA SEA POR CONTRATO, RESPONSABILIDAD ESTRUCTIVA O AGRAVIO (INCLUSO LA NEGLIGENCIA U OTRO) QUE SURJA DE CUALQUIER FORMA DEL USO DE ESTE SOFTWARE, AÚN SI HA SIDO INFORMADO DE LA POSIBILIDAD DE DICHO DAÑO.</p>

2. Componentes potencialmente usados en las aplicaciones de los clientes

<p>Software de terceros</p>	<p>Avisos/Términos</p>
<p>dmalloc</p>	<p>Versión de malloc/free/realloc (alias dmalloc) escrito por Doug Lea y publicado al dominio público, como se explica en http://creativecommons.org/publicdomain/zero/1.0/.</p>
	<p>Dinkum Abridged/sublicencia C Library Definición: El término "fuente con licencia" indicará el código de fuente Dinkum Abridged Library, el código fuente Dinkun C Library y el Dinkum Abridged Library Reference o una versión posterior de los mismos productos. Se otorga una sublicencia únicamente junto con y para el uso con IAR C/EC++/C++ Cross Compiler que es propiedad de IAR Systems AB. La sublicencia proporcionará a Dinkumware Ltd ("licenciario") las siguientes protecciones:</p>

Acuerdo de licencia de software de IAR

Dinkum
C++ Library

(a) Propiedad de Plauger. a. El sublicenciatario reconoce y acuerda que: *El título y todos los derechos de propiedad a la fuente con licencia y todas las copias de todo o cualquier parte del mismo son y siguen siendo propiedad de Plauger; *el sublicenciatario no prestará, venderá, alquilará, hipotecará o de otra forma se deshará de la fuente con licencia. *Todas las copias de la fuente con licencia o cualquier parte de las mismas, en cualquier forma, incluso pero sin limitarse a las formas reconocibles por el ojo humano (directamente o al ampliarlas o traducirlas) o al procesamiento de datos u otro equipo, serán de única y exclusiva propiedad de Plauger, como se describe inmediatamente arriba; y el *que otorga la licencia ha representado que la fuente con licencia puede contener secretos comerciales e información que es propiedad del que otorga la licencia, así o no alguna parte del mismo tenga derechos de autor o cuenta con una patente. b. El sublicenciatario acuerda preservar sin cambio todas las notificaciones de derechos de autor de la fuente con licencia. c. El que otorga la licencia reconoce y acuerda que el sublicenciatario no tendrá ninguna obligación de entregar o divulgar al que otorga la licencia cualquier modificación que el sublicenciatario haga a la fuente con licencia y que el sublicenciatario será el propietario y tendrá los derechos exclusivos de mercadeo de cualquier de las modificaciones no divulgadas. d. El sublicenciatario reconoce y acuerda que cualquier modificación que realice el sublicenciatario a la fuente con licencia y se lo divulgue al que otorga la licencia, a menos que se indique lo contrario por escrito por el sublicenciatario antes de la divulgación (“modificaciones divulgadas”), se convertirá en propiedad de Plauger. Las modificaciones divulgadas a la fuente de la biblioteca con licencia se convertirán en propiedad de Plauger. El sublicenciatario por medio del presente asigna a Plauger todo el derecho, título e interés del sublicenciatario a dichas modificaciones divulgadas y a los derechos de autor y a otros derechos de las modificaciones divulgadas. (b) Licencia. a. El que otorga la licencia le otorga al sublicenciatario una licencia personal, no exclusiva y no transferible para el uso o modificación de la fuente con licencia para su propio fin comercial interno únicamente junto con IAR C/EC++/C++ Cross Compiler que es propiedad de IAR Systems. b. A pesar de lo anterior, el sublicenciatario puede hacer solo dichas copias de la fuente con licencia que sean razonablemente necesarias para ejercer sus derechos según este acuerdo. El sublicenciatario reconoce que no podrá vender, asignar, otorgar una sublicencia, alquilar o de otra manera transferir o permitir que otros usen o ejecuten la fuente con licencia, o cualquier parte de la misma, o hacer cualquier modificación o mejora de la fuente con licencia o cualquier código objeto que se deriva de la fuente con licencia. c. El sublicenciatario acuerda cumplir con todas las leyes, normativas, dictámenes y órdenes ejecutivas aplicables de los Estados Unidos en cuanto a la exportación o reexportación de la fuente con licencia y con todas las leyes extranjeras que se deben cumplir para proteger o preservar los derechos de autor, secretos comerciales u otros derechos que son propiedad del que otorga la licencia sobre y para la fuente con licencia. El sublicenciatario acuerda que no enviará o desviará, a sabiendas, la fuente con licencia para el uso en cualquier país que no haya ratificado la convención de derechos de autor de Berna o la convención de derechos de autor universales sin primero obtener la autorización por escrito del que otorga la licencia. (c) Garantía y descargo de la garantía. a. El que otorga la garantía garantiza que, para el momento de la entrega, la fuente con licencia estará en buenas condiciones de funcionamiento y en cumplimiento estándar en todos los aspectos. b. El que otorga la licencia representa y garantiza que no está al tanto de que la fuente con licencia se crea completa o parcialmente al violar los secretos comerciales protegidos de un tercero o que la fuente con licencia incumpla con cualquier patente o derecho de autor de EE. UU. c. LAS ANTERIORES GARANTÍAS SON LAS ÚNICAS GARANTÍAS QUE OFRECE EL QUE OTORGA LA LICENCIA Y SE OFRECEN A CAMBIO DE TODAS LAS GARANTÍAS, EXPRESAS O IMPLÍCITAS, INCLUSO, PERO SIN LIMITARSE A LAS GARANTÍAS IMPLÍCITAS DE COMERCIALIZACIÓN E IDONEIDAD PARA UN FIN PARTICULAR. (d) Limitación de la responsabilidad legal. a. En ningún caso el que otorga la licencia será responsable al sublicenciatario por cualquier pérdida de ganancias, daños circunstanciales, ejemplares, punitivos, indirectos u otros consecuentes, aún si el que otorga la licencia sabe o ha recibido notificación de la probabilidad de dichos daños, o por cualquier reclamo contra el sublicenciatario por otra persona o entidad o por cualquier daño causado por la omisión del sublicenciatario de realizar sus responsabilidades.

Actualizado: 2013-15-02. IAR Systems AB.

Freescale MQX RTOS 4.0.2

IMPORTANTE. Lea por completo el siguiente Acuerdo de licencia de software de Freescale Semiconductor (“Acuerdo”). Al seleccionar el botón “I Accept” (Acepto) a continuación, usted indica que acepta los términos de este Acuerdo. Usted podrá entonces instalar el software.

ACUERDO DE LICENCIA DE FREESCALE SEMICONDUCTOR

Este es un acuerdo legal entre usted (como individuo o como representante autorizado por su empleador) y Freescale Semiconductor, Inc (“Freescale”). Tiene que ver con sus derechos de usar este archivo y cualquiera de los materiales escritos que lo acompañan (el “software”). Para que Freescale le permita acceder al software, usted acuerda estar sujeto a los términos de este Acuerdo. Si no está de acuerdo con todos los términos del acuerdo, no descargue el software. Si posteriormente cambia de pensar, deje de usar el software y borre todas las copias del software que estén en su posesión o control. Cualquier copia del software que ya haya distribuido, donde se permita, y que no destruya continuará rigiéndose por este Acuerdo. Su uso anterior también continuará rigiéndose por este Acuerdo.

OTORGAMIENTO DE LICENCIA. Exclusivamente junto con el desarrollo y venta de un producto por parte del licenciario que contenga una unidad de proceso programable (p.ej. un microprocesador, microcontrolador o procesador de señales digital) suministrado directa o indirectamente por Freescale (“Freescale System”) y listado bajo “Productos secundarios” en la página web Freescale MQX (www.freescale.com/mqx), Freescale le otorga a usted, sin costo, el derecho no exclusivo y no transferible de (1) usar el software, (2) reproducir el software, (3) preparar obras derivadas del software, (4) distribuir el software y las obras derivadas del mismo en formato objeto (legible por máquina) como parte de un Freescale System, (5) ofrecer sublicencias a otros con el derecho de usar el software distribuido como se incluye en el Freescale System. Debe prohibirle a los sublicenciarios que traduzcan, realicen ingeniería inversa, descompilen o desarmen el software, excepto si las leyes aplicables prohíben explícitamente dicha restricción. Si viola cualquiera de los términos o restricciones de este Acuerdo, de inmediato Freescale podrá poner fin a este Acuerdo y requerir que usted lo deje de usar y borre todas las copias del software que tiene en su posesión o control.

DERECHOS DE AUTOR (COPYRIGHT). Se le otorga una licencia del software y esto no constituye una venta. Freescale es el propietario del software y las leyes de derechos de autor (copyright) estadounidenses y las condiciones de los tratados internacionales protegen el software. Por ende, usted deberá tratar el software como cualquier otro material con derechos de autor (p. ej. un libro o grabación musical). No podrá usar o copiar el software con cualquier otro fin que el descrito en este Acuerdo. Excepto lo indicado expresamente en este Acuerdo, Freescale no le otorga derechos expresos o implícitos bajo ninguna patente, derecho de autor, marca comercial o secreto comercial de Freescale o de terceros. Adicionalmente, usted debe reproducir y aplicar cualquier notificación de derechos de autor u otros derechos de propiedad, incluso en o incorporado al software en cualquier copia u obras derivadas del mismo, parcial o totalmente, si las hay.

SOPORTE. Freescale NO está obligado a proporcionar ningún soporte, actualizaciones o nuevas publicaciones del software. Si lo desea, puede contactar a Freescale y reportar problemas y proporcionar sugerencias sobre el software. Freescale no tiene obligación alguna de responder de ninguna forma a dicho reporte de problemas o sugerencias. Freescale puede realizar cambios al software en cualquier momento, sin ninguna obligación de notificar o proporcionar versiones actualizadas del software a usted.

AUSENCIA DE GARANTÍAS. SEGÚN LO MÁXIMO PERMITIDO POR LAS LEYES, FREESCALE EXPRESAMENTE RENUNCIA A CUALQUIER GARANTÍA DEL SOFTWARE. ESTE SOFTWARE SE PROPORCIONA “TAL CUAL”, SIN GARANTÍA DE NINGÚN TIPO, BIEN SEA EXPRESA O IMPLÍCITA, INCLUSO, PERO SIN LIMITARSE A LAS GARANTÍAS DE COMERCIALIZACIÓN, IDONEIDAD PARA UN FIN PARTICULAR Y LA INVOLABILIDAD. USTED ASUME TODO EL RIESGO POR EL USO O RENDIMIENTO DEL SOFTWARE O CUALQUIER SISTEMA QUE DISEÑE USANDO EL SOFTWARE (SI LO HAY). NADA EN ESTE ACUERDO SE PODRÁ ENTENDER COMO UNA GARANTÍA O REPRESENTACIÓN POR PARTE DE FREESCALE DE QUE EL SOFTWARE O CUALQUIER OBRA DERIVADA DESARROLLADA CON O QUE INCORPORA EL SOFTWARE ESTARÁ LIBRE DE VIOLAR LOS DERECHOS DE PROPIEDAD INTELECTUAL DE TERCEROS.

INDEMNIZACIÓN. Usted acuerda defender e indemnizar completamente a Freescale por cualquiera y todos los reclamos, responsabilidades y costos (incluso los costos razonables de abogados) relacionados con (1) su uso (incluso el uso de sus sublicenciarios, si se permite) del software o (2) su violación de los términos y condiciones de este Acuerdo.

LIMITACIÓN DE LA RESPONSABILIDAD LEGAL. EN NINGÚN CASO FREESCALE SERÁ RESPONSABLE POR CONTRATO, AGRAVIO O DE NINGUNA OTRA FORMA POR NINGÚN DAÑO CIRCUNSTANCIAL, ESPECIAL, INDIRECTO, CONSECUENTE O PUNITIVO, INCLUSO, PERO SIN LIMITARSE A DAÑOS POR PÉRDIDA DE USO, PÉRDIDA DE TIEMPO, INCONVENIENCIA, PÉRDIDA COMERCIAL O LA PÉRDIDA DE GANANCIAS, AHORROS O INGRESOS HASTA EL ALCANCE MÁXIMO QUE LO PERMITA LA LEY.

CUMPLIMIENTO CON LAS LEYES; RESTRICCIONES DE EXPORTACIÓN. Debe usar el software según las leyes, normativas y estatutos aplicables de EE. UU. Usted está de acuerdo que ni usted o sus licenciatarios (si los hay) piensa exportar o transmitir, directa o indirectamente, el software a ningún país en violación de las restricciones de exportación de EE. UU.

USO POR EL GOBIERNO. El uso del software y cualquier documentación correspondientes, si sucede, se proporciona con DERECHOS RESTRINGIDOS. El uso, duplicación o divulgación por el Gobierno está sujeto a las restricciones estipuladas en el subpárrafo (c)(1)(ii) de la cláusula sobre los Derechos sobre los datos técnicos y software de computadores en DFARS 252.227-7013 o los subpárrafos (c)(1) y (2) de la sección de Software comercial de computadoras - derechos restringidos en 48 CFR 52.227-19, según sea aplicable. El fabricante es Freescale Semiconductor, Inc., 6501 William Cannon Drive West, Austin, TX, 78735.

ACTIVIDADES DE ALTO RIESGO. Usted reconoce que el software no tolera fallas y no está diseñado, fabricado o tiene el propósito por Freescale para la incorporación en productos para el uso o reventa en equipos de control en línea en ambientes riesgosos, peligrosos para la vida o potencialmente peligrosos para la vida que requieren el rendimiento sin fallas, como en el funcionamiento de plantas nucleares, navegación de aeronaves o sistemas de comunicación, control de tráfico aéreo, máquinas para el soporte de vida directo o sistemas de armas, en que la falla del producto pueda llevar directamente a la muerte, lesiones personales o daños físicos o ambientales severos (“actividades de alto riesgo”). Usted específicamente representa y garantiza que no utilizará el software para ningún trabajo derivado del software para actividades de alto riesgo.

ELECCIÓN DE LEYES; JURISDICCIÓN; LIMITACIONES. Usted está de acuerdo que los estatutos y leyes de los Estados Unidos y del estado de Texas, EE. UU. sin importar los conflictos de los principios de las leyes, se aplicarán a todos los asuntos relacionados con este Acuerdo o el software y usted está de acuerdo que los litigios estarán sujetos a la jurisdicción exclusiva de los tribunales estatales o federales en Texas, EE. UU. Usted está de acuerdo que, sin importar cualquier estatuto o ley que diga lo contrario, cualquier reclamo o causa de acción que surja o esté relacionado con este Acuerdo o el software se debe llevar a cabo dentro de un (1) año después de que dicho reclamo o causa de acción surja o será prohibido para siempre

ETIQUETADO DE PRODUCTOS. Usted no tiene autorización para usar ninguna marca comercial, nombre de marca o logotipo de Freescale.

ACUERDO COMPLETO. Este Acuerdo constituye el acuerdo completo entre usted y Freescale sobre el tema de este Acuerdo y sustituye todas las comunicaciones, negociaciones, entendimientos, acuerdos o representaciones anteriores, bien sean escritas u orales, si las hay. Este Acuerdo solo puede ser enmendado de manera escrita, y deberá ser firmado por Freescale y usted.

DIVISIBILIDAD. Si se determina que cualquiera de las condiciones de este Acuerdo es inválida o no aplicable, por cualquier razón, las condiciones permanentes de este Acuerdo permanecerán vigentes y, a menos que la modificación o reemplazo de la condición inválida o que no se puede aplicar se considere que lo prive a usted o a Freescale de un beneficio material, en cuyo caso el Acuerdo llegará a su fin de manera inmediata, la condición inválida o que no se puede aplicar será reemplazada por una condición que es válida y se puede aplicar y que se asemeje lo más posible a la intención de la condición inválida o que no se puede aplicar.

SIN RENUNCIA. La renuncia de Freescale a cualquier violación de cualquier condición de este Acuerdo no operará ni se considerará como una renuncia de cualquier otra o una violación subsiguiente de la misma u otra condición.

ROBINAIR



Instructions d'origine

Modèle : 34988NI, 34988NI-230



Machine de récupération, de recyclage
et de recharge pour les systèmes
de climatisation au R-134a

Description : machine de récupération, de recyclage et de recharge pour les systèmes de climatisation au R-134a.

RENSEIGNEMENTS SUR LE PRODUIT

Notez le numéro de série et l'année de fabrication de la machine pour référence future. Lisez l'étiquette d'identification du produit sur la machine pour obtenir ces informations.

Numéro de série : _____ Année de fabrication : _____

AVIS D'EXONÉRATION DE RESPONSABILITÉ : les renseignements, les illustrations et les spécifications du présent manuel sont basés sur les derniers renseignements disponibles au moment de la publication. L'entreprise se réserve le droit d'apporter des modifications à tout moment et sans aucune obligation d'en informer tout individu ou organisation. En outre, ROBINAIR décline toute responsabilité pour des erreurs contenues dans le présent manuel ou pour des dommages indirects ou consécutifs (incluant les pertes de profits) liés à l'approvisionnement, à la performance ou à l'utilisation de cette machine. Au besoin, il est possible d'obtenir de plus amples renseignements en matière de santé et de sécurité auprès des organismes gouvernementaux appropriés et des fabricants de véhicules, de réfrigérants et de lubrifiants.

Table des matières

Mesures de sécurité	2	Entretien	24
Explication des termes d'avertissement de sécurité utilisés dans le présent manuel.	2	Programme d'entretien	24
Explication des décalcomanies de sécurité utilisées sur la machine.	2	Chargement de la langue	25
Dispositifs de protection	4	Réglage de la valeur cible de remplissage en arrière-plan.	26
Test du réservoir de réfrigérant.	4	Remplissage du réservoir	26
Introduction	5	Maintenance du filtre.	27
Spécifications techniques	5	Vérification de la capacité de filtre restante.	27
Fonctions.	6	Remplacement du filtre	28
Fonctions du panneau de commande	8	Contrôle du calibrage	29
Signification des icônes	9	Changement de l'huile de la pompe à vide.	30
Fonctions du menu Configuration.	10	Vérification d'étanchéité	31
Configuration initiale	11	Modification de l'en-tête de l'impression.	32
Déballage de la machine	11	Remplacement du papier d'imprimante	32
Déballage de la trousse des accessoires.	11	Fonction de service de la climatisation	33
Trousse des accessoires.	11	Pièces de rechange	33
Mise sous tension de la machine	11	Glossaire	33
Sélection de la langue.	12	Dépannage	34
Sélection des unités	12	Stockage et transport de l'équipement	37
Réglage de la date et de l'heure	12	Entreposage	37
Modification de l'en-tête de l'impression.	12	Transport de l'équipement.	37
Vide pour entretien	13	Mise au rebut de l'équipement	38
Réglage de la valeur cible de remplissage en arrière-plan.	13	Mise au rebut des matériaux recyclés	38
Remplissage du réservoir.	13	Mise au rebut de la machine.	38
Activation de la station	15	Mise au rebut des batteries.	38
Consignes d'utilisation	16		
Saisie des données d'entretien.	16		
Récupération du réfrigérant d'un véhicule	17		
Évacuation du système de climatisation du véhicule	18		
Nettoyage des tuyaux	19		
Recharge du système de climatisation du véhicule	20		
Fonction automatique	21		
Rinçage du système	22		

Mesures de sécurité

Explication des termes d'avertissement de sécurité utilisés dans le présent manuel

Les termes d'avertissement de sécurité désignent le degré ou le niveau de gravité du danger.

 **DANGER** : signale un danger imminent qui, s'il n'est pas évité, entraînera des blessures graves, voire mortelles.

 **AVERTISSEMENT** : signale une situation potentiellement dangereuse qui, si elle n'est pas évitée, peut entraîner des blessures graves voire mortelles.

 **MISE EN GARDE** : signale une situation potentiellement dangereuse qui, si elle n'est pas évitée, peut entraîner des blessures légères ou modérées.

MISE EN GARDE : sans le symbole d'alerte de sécurité, indique une situation potentiellement dangereuse qui, si elle n'est pas évitée, peut entraîner des dommages matériels.

Ces messages de sécurité couvrent des situations connues par Robinair. Robinair ne peut pas anticiper, évaluer, ni expliquer tous les risques possibles. L'utilisateur doit s'assurer que les conditions et les procédures ne mettent pas en péril sa sécurité.

Explication des décalcomanies de sécurité utilisées sur la machine

	Lire attentivement les consignes.
	Ne pas utiliser à l'air libre en cas de pluie ou d'humidité élevée.
	Porter des gants.
	Porter des lunettes de protection.
	Tension alternative.
	Protection de mise à la terre.
	Risque de choc électrique.



AVERTISSEMENT : pour éviter les blessures corporelles,



SEUL LE PERSONNEL QUALIFIÉ DOIT ÊTRE AUTORISÉ À UTILISER LA MACHINE. Avant d'utiliser la machine, il est impératif de lire et de suivre les directives et les avertissements contenus dans le présent manuel. L'opérateur doit connaître les systèmes de climatisation et de réfrigération, les réfrigérants et les dangers représentés par les éléments sous pression. Si l'opérateur ne peut pas lire le présent manuel, les consignes d'utilisation et les mesures de sécurité doivent lui être lues et expliquées dans sa langue maternelle.



UTILISEZ LA MACHINE TEL QU'INDIQUÉ DANS LE PRÉSENT MANUEL. L'utilisation de la machine à d'autres fins que celles pour lesquelles elle a été conçue compromettra son fonctionnement et annulera les protections fournies.



LE RÉSERVOIR SOUS PRESSION CONTIENT DU LIQUIDE RÉFRIGÉRANT. Ne remplissez pas excessivement la cuve de stockage interne. Un remplissage excessif peut provoquer une explosion entraînant des blessures graves voire mortelles. Ne récupérez pas les liquides réfrigérants dans des conteneurs non réutilisables ; utilisez uniquement des conteneurs réutilisables approuvés munis de clapets de décharge de pression.



LES TUYAUX PEUVENT CONTENIR DU LIQUIDE RÉFRIGÉRANT SOUS PRESSION. Le contact avec du réfrigérant peut causer des blessures, entraîner la cécité et des engelures. Portez un équipement protecteur, y compris des lunettes et des gants de sécurité. Usez d'extrême prudence lorsque vous débranchez les tuyaux. Veillez à ce que cette phase soit terminée avant de déconnecter la machine pour prévenir la libération de réfrigérant dans l'atmosphère.



ÉVITEZ D'INHALER LES VAPEURS DE RÉFRIGÉRANT ET DE LUBRIFIANT DU SYSTÈME DE CLIMATISATION. Une telle exposition peut irriter les yeux, le nez et la gorge. Pour purger le réfrigérant du système de climatisation, n'utilisez que l'équipement certifié pour le type de réfrigérant à vidanger. Utilisez la machine dans des endroits pourvus d'une ventilation mécanique offrant au moins quatre changements d'air par heure. En cas de décharge accidentelle, aérez l'aire de travail avant de reprendre l'activité.

NE DISPERSEZ PAS LE RÉFRIGÉRANT DANS L'ENVIRONNEMENT. Empêchez toute présence potentielle de réfrigérant dans l'environnement de travail.



POUR RÉDUIRE LE RISQUE D'INCENDIE, n'utilisez pas la machine à proximité de conteneurs d'essence ouverts ou renversés, ou d'autres substances inflammables.

POUR RÉDUIRE LE RISQUE D'INCENDIE, n'utilisez pas de rallonge électrique. Une rallonge peut surchauffer et provoquer un incendie. Si une rallonge doit être utilisée, utilisez-en une qui est la plus courte possible avec un cordon de grosseur minimum de 14 AWG (calibre américain des fils).

POUR RÉDUIRE LE RISQUE D'INCENDIE, n'utilisez pas la machine à proximité de flammes et de surfaces chaudes. Le liquide réfrigérant peut se décomposer lorsqu'il est exposé à des températures élevées et libérer dans l'environnement des substances toxiques qui peuvent être nocives pour l'utilisateur.

POUR RÉDUIRE LE RISQUE D'INCENDIE, n'utilisez pas la machine dans des environnements contenant des vapeurs ou des gaz explosifs.

POUR RÉDUIRE LE RISQUE D'INCENDIE, n'utilisez pas cette machine dans des zones de catégorie ATEX. Protégez la machine des conditions qui pourraient provoquer une défaillance électrique ou d'autres risques liés à l'interaction avec l'atmosphère ambiante.



MISE EN GARDE : N'EFFECTUEZ PAS D'ESSAIS DE PRESSION OU D'ÉTANCHÉITÉ DE LA MACHINE OU DU SYSTÈME DE CLIMATISATION DU VÉHICULE AVEC DE L'AIR COMPRIMÉ. Les mélanges d'air et de liquide réfrigérant R-134a peuvent être combustibles à des pressions élevées. Ces mélanges peuvent s'avérer dangereux et provoquer une explosion ou un incendie pouvant causer des blessures et/ou des dommages matériels.



UNE TENSION ÉLEVÉE À L'INTÉRIEUR DE LA MACHINE PRÉSENTE UN RISQUE DE CHOC ÉLECTRIQUE. Une exposition à ce choc peut causer des blessures. Débranchez l'alimentation avant de réparer la machine.

NE LAISSEZ JAMAIS LA MACHINE SOUS TENSION SI VOUS NE PRÉVOYEZ PAS L'UTILISER IMMÉDIATEMENT. Déconnectez l'alimentation électrique avant une longue période d'inactivité ou avant un entretien interne.

NE PAS MODIFIER LE CLAPET DE DÉCHARGE DE PRESSION ET NE PAS CHANGER LES RÉGLAGES DU SYSTÈME DE COMMANDE. L'utilisation de la machine à des fins autres que celles pour lesquelles elle a été conçue compromettra son fonctionnement et annulera les protections fournies.

Vous pouvez obtenir des renseignements supplémentaires en matière de santé et de sécurité auprès des fabricants de fluides réfrigérants et de lubrifiants.

Mesures de sécurité

MISE EN GARDE : pour éviter tout dommage à l'équipement,



POUR ÉVITER TOUTE CONTAMINATION CROISÉE, UTILISEZ CETTE MACHINE UNIQUEMENT AVEC DU RÉFRIGÉRANT R-134A. La machine est équipée de connecteurs spéciaux permettant de récupérer, recycler et recharger uniquement le réfrigérant R-134a. N'essayez pas d'adapter la machine pour un autre réfrigérant. Ne mélangez pas différents types de réfrigérants dans un système ou dans le même conteneur, le mélange de réfrigérants peut causer de graves dommages à la machine et au système de climatisation du véhicule.

N'UTILISEZ PAS CETTE MACHINE SOUS LA LUMIÈRE DIRECTE DU SOLEIL. Éloignez la machine de toute source de chaleur, comme la lumière directe du soleil, susceptible d'entraîner des surchauffes. L'utilisation de cette machine dans des conditions environnementales normales (10 à 50 °C) maintient les pressions dans des limites raisonnables.



N'UTILISEZ PAS CETTE MACHINE À L'EXTÉRIEUR EN CAS DE PLUIE OU D'HUMIDITÉ ÉLEVÉE. Protégez la machine des conditions qui pourraient provoquer une défaillance électrique ou d'autres risques liés à l'interaction avec l'atmosphère ambiante.

N'UTILISEZ PAS CETTE MACHINE DANS DES ZONES OÙ IL EXISTE UN RISQUE D'EXPLOSION.

PLACEZ LA MACHINE SUR UNE SURFACE PLANE ET SOUS UN ÉCLAIRAGE SUFFISANT. BLOQUEZ SES ROUES AVANT, ET NE LA SOUMETTEZ PAS À DES VIBRATIONS.

AFIN D'ÉVITER LES INCOMPATIBILITÉS CHIMIQUES AVEC LES COMPOSANTS INTERNES DE LA MACHINE, UTILISEZ UNIQUEMENT LES HUILES APPROUVÉES PAR LE FABRICANT DU VÉHICULE. Les problèmes résultant de l'utilisation d'huiles non approuvées annuleront la garantie.

Vous pouvez obtenir des renseignements supplémentaires en matière de santé et de sécurité auprès des fabricants de fluides réfrigérants et de lubrifiants.

Dispositifs de protection

La machine est munie des dispositifs de protection suivants :

- Clapets de surpression.
- Un pressostat maximum arrête le compresseur lorsqu'une pression excessive est détectée.



AVERTISSEMENT : la modification de ces dispositifs de protection peut entraîner des blessures graves.

Test du réservoir de réfrigérant

Les rapports officiels et les tests récurrents nécessaires pour les instruments sous pression sont régis par les lois et/ou les réglementations nationales en fonction du pays d'utilisation du réservoir de réfrigérant. Le chef d'exploitation est responsable du respect des lois, réglementations et règles techniques. Lors d'une utilisation normale, il n'est pas nécessaire d'effectuer l'entretien des réservoirs de réfrigérant. Reportez-vous à la section Entretien du présent manuel pour obtenir plus de renseignements.

Cette machine est utilisée sur les véhicules utilisant du R-134a et elle a été conçue de façon à être compatible avec l'équipement de réparation existant et les procédures d'entretien standard. Cette machine utilise un système à un passage (c.-à-d. que le réfrigérant ne s'écoule qu'une seule fois à travers le filtre) qui répond aux spécifications pour le recyclage du réfrigérant. Suivez les procédures d'entretien recommandées pour le confinement du R-134a.

Remarque : Les circuits de réfrigérant nécessitent des huiles spéciales. Reportez-vous au manuel d'entretien du fabricant du système de climatisation pour connaître les spécifications relatives à l'huile.

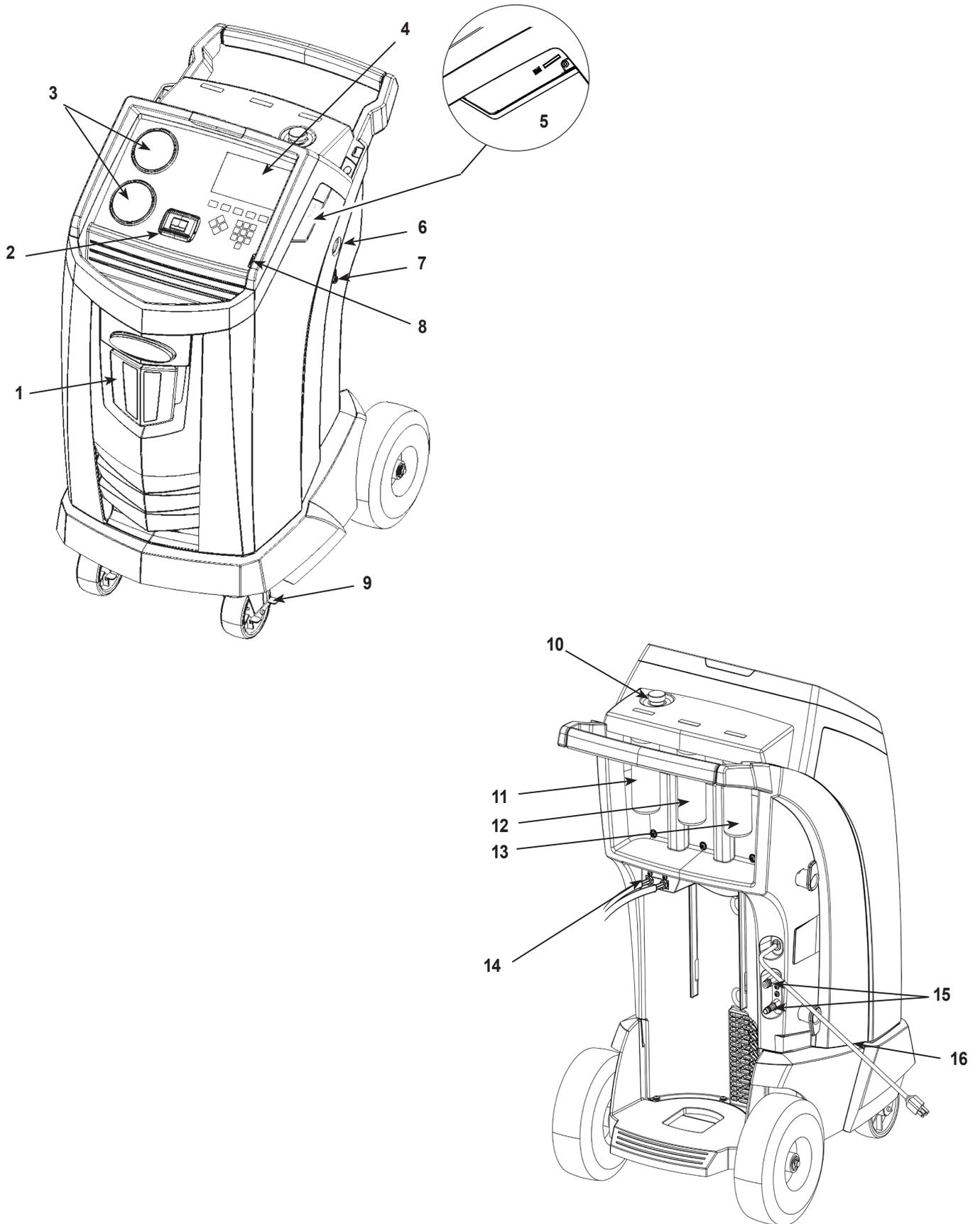


Spécifications techniques

Dimensions	107 cm × 61 cm × 76 cm
Écran	LCD graphique de 17,8 cm (7 po)
Filtre	68 kg (150 lb)
Humidité	32,2 °C (90 °F), 80 % HR sans condensation
Manomètre	Ø 100 mm (3,9 po)
Pression maximale	27 bar (390 lb/po ²)
Bruit	< 70 dB(A)
Tension nominale	
34988NI	115 V, 60 Hz
34988NI-230	230 V, 50/60 Hz
Capacité de la bouteille d'huile	355 ml (12 oz)
Température de fonctionnement	10 à 50 °C (50 à 122 °F)
Consommation d'énergie	1 380 VA
Déplacement d'air libre de la pompe à vide	
.....	.42 L/min (1,5 pi ³ /min), 60 Hz
.....	35 L/min (1,25 pi ³ /min), 50 Hz
Tuyaux de service250 cm / SAE J2196
Capacité du réservoir	10 kg (22 lb)
Poids	73 kg (161 lb)

Introduction

Fonctions



N° d'élément	Description
1	Bouteille de vidange d'huile
2	Imprimante
3	Jauges collectrices côté basse pression (bleue) et côté haute pression (rouge)
4	Écran graphique et clavier
5	Connexions USB et carte SD; (vue détaillée sans capot de protection)
6	Voyant du réservoir d'huile de la pompe à vide
7	Raccord de vidange d'huile de la pompe à vide
8	Interrupteur d'alimentation
9	Verrouillage de roue
10	Orifice et bouchon de remplissage d'huile de la pompe à vide
11	Bouteille d'injecteur d'huile 1
12	Bouteille d'injecteur d'huile 2
13	Bouteille d'injecteur de colorant UV
14	Tuyaux de service
15	Orifices de stockage des tuyaux de service
16	Cordon d'alimentation

Introduction

Fonctions du panneau de commande

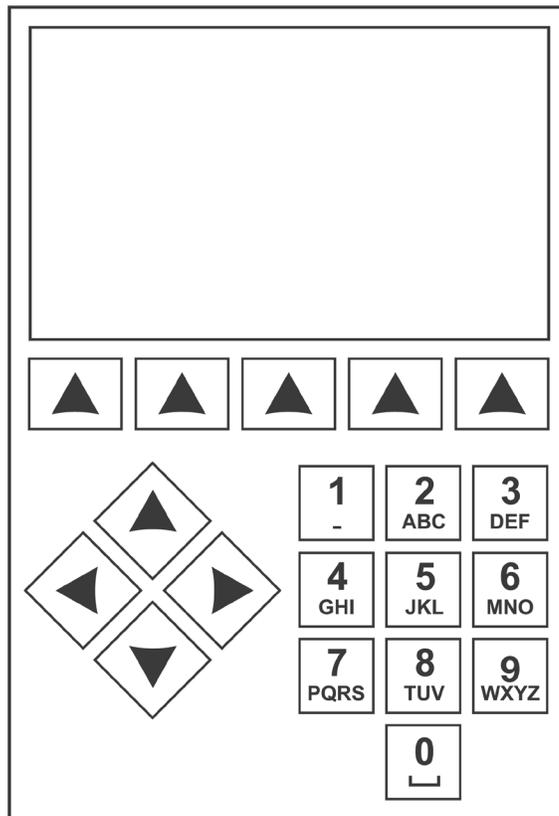
FLÈCHE VERS LE HAUT met l'élément précédent en surbrillance.

FLÈCHE VERS LE BAS met l'élément suivant en surbrillance.

FLÈCHE VERS LA DROITE fait défiler vers l'écran suivant.

FLÈCHE VERS LA GAUCHE fait défiler vers l'écran précédent.

FLÈCHES DE SÉLECTION permettent d'effectuer une sélection ou de répondre à une demande.



Clavier du panneau de commande

Signification des icônes



ICÔNE AUTOMATIQUE

La touche sous cette icône permet d'accéder au processus automatique de vide, de charge et de récupération du réfrigérant.



ICÔNE RÉCUPÉRATION

La touche sous cette icône permet d'accéder au processus de récupération du réfrigérant.



ICÔNE VIDE

La touche sous cette icône permet d'accéder au processus de mise sous vide du système.



ICÔNE CHARGE

La touche sous cette icône permet d'accéder au processus de charge du réfrigérant.



ICÔNE SUIVANT/AVANCER

La touche sous cette icône permet d'accéder aux options suivantes de sélection du menu, ou encore à l'étape suivante d'une fonction ou d'un processus.



ICÔNE RETOUR

La touche sous cette icône permet d'accéder aux options précédentes de sélection du menu, ou encore à l'étape précédente d'une fonction ou d'un processus.



ICÔNE AIDE

La touche sous cette icône permet d'obtenir de l'aide et des renseignements au sujet de l'écran affiché et/ou la fonction en cours d'affichage/d'exécution.



ICÔNE BASE DE DONNÉES

La touche sous cette icône permet d'accéder au processus de récupération de la base de données du véhicule.



ICÔNE MENU DE CONFIGURATION

La touche sous cette icône permet d'accéder au menu de configuration.



ICÔNE OUI/ACCEPTER

La touche sous cette icône permet de confirmer tous les choix effectués à l'écran affiché et de passer à l'étape suivante de la fonction.



ICÔNE NON/FERMER

La touche sous cette icône permet de rejeter tous les choix effectués à l'écran affiché et de revenir à l'étape précédente de la fonction ou au menu principal.



ICÔNE RÉESSAYER

La touche sous cette icône permet de reprendre le processus ou la fonction en cours.



ICÔNE SÉLECTION DU CHEMIN DE CHARGE

La touche sous cette icône permet de sélectionner le chemin souhaité de charge du réfrigérant entre les côtés haute et basse pressions, ou les deux.



ICÔNE SÉLECTION DE LA BOUTEILLE D'INJECTION D'HUILE

La touche sous cette icône permet de sélectionner la bouteille à utiliser pour injecter l'huile pendant une charge ultérieure.



ICÔNE ACTIVÉ/DÉSACTIVÉ

La touche sous cette icône permet d'activer ou de désactiver la fonction mise en surbrillance, au besoin.



ICÔNE RETOUR ARRIÈRE

La touche sous cette icône permet de supprimer un caractère textuel à gauche de l'emplacement du curseur.



ICÔNE PAUSE

La touche sous cette icône permet de mettre en pause le processus en cours.



ICÔNE REPRISE

La touche sous cette icône permet de reprendre un processus mis en pause.



ICÔNE IMPRIMER

La touche sous cette icône permet d'imprimer un récapitulatif du processus complet en cours.



ICÔNE SUPPRIMER

La touche sous cette icône permet de supprimer une entrée sélectionnée dans la mémoire de la machine.



ICÔNES DE CHANGEMENT D'UNITÉS



Les touches sous ces icônes font basculer les unités de mesure pour le champ d'entrée en cours.

Introduction

Fonctions du menu Configuration

Accédez aux fonctions suivantes en appuyant sur la touche Menu et en sélectionnant Configuration.

Ctrl. calibrage (Contrôle du calibrage)

Utilisez cette fonction pour vérifier l'étalonnage de la balance interne. Consultez la rubrique Contrôle du calibrage dans la section Entretien de ce manuel d'utilisation.

Modif en-tête impr (Modifier l'en-tête de l'impression)

Programme les renseignements qui figureront sur l'impression chaque fois que la fonction Imprimer est utilisée.

Mainten filtr (Maintenance du filtre)

Le filtre élimine l'acide, les particules et l'humidité du réfrigérant. Afin de répondre aux exigences, il est obligatoire de remplacer le filtre dès que 68 kg (150 lb) de réfrigérant ont été filtrés.

Cet élément de menu affiche la capacité restante du filtre jusqu'à ce que la machine se bloque et ne fonctionne plus. Consultez la rubrique Maintenance du filtre dans la section Entretien.

Net tyx (Nettoyage des tuyaux)

Rince l'huile résiduelle des tuyaux de service de la machine pour préparer l'entretien du véhicule suivant.

Menu Production

Utilisation réservée uniquement au service production de Robinair.

Maint ppe (Maintenance de la pompe)

Affiche le temps restant jusqu'au prochain changement de l'huile de la pompe à vide. Pour un rendement maximum de la pompe à vide, changez l'huile de la pompe à chaque remplacement du filtre. Consultez la rubrique Changer l'huile de la pompe à vide dans la section Entretien.

Gestion du Réfrigérant

Indique la quantité de réfrigérant récupérée, chargée et remplie (pour la durée de vie de la machine), et filtrée depuis le dernier changement de filtre.

Nom bout huile (Nommer la bouteille d'huile)

Les désignations des bouteilles d'huile sont Huile 1 et Huile 2 par défaut. Cette fonction permet à l'utilisateur de renommer chaque bouteille pour spécifier le type/la viscosité de l'huile.

Sélect lgue (Sélection de la langue)

Sélectionne la langue des messages à l'écran. L'anglais est la langue par défaut.

Menu Service

Réservé au centre de réparation Robinair.

Sélect unit (Sélection des unités)

Programme la machine pour qu'elle affiche les unités de mesure en kilogrammes ou en livres. L'affichage par défaut est en kilogrammes.

Dat et heur (Date et heure)

Programme la date et l'heure de la machine.

Rinç syst (Rinçage du système)

Offre une méthode de vidange de l'huile en pressurant le fluide réfrigérant dans un système de climatisation ou dans les composants d'un système de climatisation. Après le rinçage, le réfrigérant est récupéré par la machine et filtré par le circuit de recyclage.

Infos (Informations système)

Indique la version du logiciel de la machine.

Rempl rés (Remplissage du réservoir)

Cet élément du menu de configuration sert à transférer le réfrigérant d'un réservoir source à la cuve de stockage interne. La valeur de remplissage peut être réglée à la hausse ou à la baisse pour répondre aux besoins de l'utilisateur. Consultez la rubrique Remplissage du réservoir dans la section Entretien.

Activ statn (Activation de la station)

Si la machine n'est pas enregistrée et activée dans les 30 jours suivant le démarrage initial, elle se bloquera et ne fonctionnera plus. Sélectionnez cet élément du menu de configuration et répondez aux requêtes avant la fin de la période d'essai.

Voir dn serv (Affichage des données d'entretien)

Affiche les informations du véhicule entrées à l'écran de saisie des données d'entretien. Les véhicules sont affichés selon la date d'entretien et leur numéro d'identification. La base de données peut stocker 25 numéros d'identification de véhicules.

Égal tyx (Égalisation des tuyaux)

Cet élément du menu de configuration sert à récupérer le réfrigérant des tuyaux de service pour le transférer dans le système de climatisation du véhicule. Cette fonction est utile après un diagnostic qui ne nécessite pas la récupération du système de climatisation dans la machine RRR. Il sera demandé à l'utilisateur de raccorder le tuyau de service, côté basse pression, au port approprié et de démarrer le système de climatisation du véhicule à la puissance maximale.

Déballage de la machine

1. Retirez les bandes de la boîte.
2. Retirez la pliure supérieure du carton, le plateau en cellulose moulée et les cornières.
3. Retirez le manchon de la pliure intérieure du carton.
4. Faites rouler doucement l'unité vers l'avant, en dehors de la palette, en évitant tout choc brutal sur la machine.

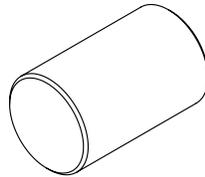


AVERTISSEMENT : afin d'éviter toute blessure corporelle lors de la manipulation du réfrigérant, veuillez lire et suivre les consignes et avertissements du présent manuel, et porter un équipement de protection, comme des lunettes et des gants.

Déballage de la trousse des accessoires

Sortez la trousse des accessoires de la boîte et enlevez l'emballage en plastique.

Poids de
contrôle de calibrage
533 g (1,18 lb)



Pochette contenant une carte de garantie à remplir et à renvoyer par courrier, les fiches techniques santé-sécurité, les renseignements EPA et MACS, et une liste des centres de service.

Mise sous tension de la machine

1. Déroulez le cordon d'alimentation de la poignée et branchez-le dans une prise de tension adéquate mise à la terre.
2. Positionnez la machine afin que la prise et l'interrupteur d'alimentation soient facilement accessibles pour l'opérateur. Vérifiez que les événements de ventilateur à l'arrière de la machine ne sont pas bouchés.
3. Bloquez les roues avant.
4. Activez l'interrupteur d'alimentation du panneau de commande pour mettre la machine sous tension.

La machine se lance en mode de configuration initiale.

Configuration initiale

Sélection de la langue

L'opérateur sélectionne la langue des messages affichés à l'écran. L'anglais est la langue par défaut.

1. Utilisez les flèches **HAUT** ou **BAS** pour naviguer entre les différentes langues, ligne par ligne.
2. Sélectionnez ✓ pour définir la langue sélectionnée.

Remarque : Pour actualiser une langue ou en ajouter une nouvelle, consultez Chargement de la langue dans la section Entretien de ce manuel.

Sélection des unités

L'opérateur définit les unités de mesure affichées. Les unités métriques sont utilisées par défaut.

3. Utilisez la **FLÈCHE HAUT** ou la **FLÈCHE BAS** pour passer des unités métriques aux unités anglo-saxonnes.
4. Sélectionnez ✓ pour choisir l'unité de mesure affichée.

Réglage de la date et de l'heure

Utilisez les touches fléchées pour déplacer le curseur. Utilisez le clavier pour modifier les informations affichées.

5. Utilisez la **FLÈCHE HAUT** et la **FLÈCHE BAS** pour sélectionner l'élément à modifier : jour, mois, année ou heure. Sélectionnez **I/O** pour alterner entre AM (matin) et PM (après-midi).
6. Utilisez l'interface de saisie de texte du pavé numérique pour modifier les informations.
7. Sélectionnez ✓ pour enregistrer.

Modification de l'en-tête de l'impression

Cette machine peut conserver des renseignements sur la récupération, le vide, la charge et le rinçage pour 25 véhicules au maximum. Les informations chargées dans Modification de l'en-tête de l'impression s'afficheront sur chaque impression.

1. Saisissez votre texte à l'aide des flèches et de l'interface de saisie de texte du pavé numérique.
 - La **FLÈCHE GAUCHE** et la touche **X** agissent comme la touche de retour arrière.
 - La **FLÈCHE DROITE** déplace le curseur vers la droite.
 - **0 (ZÉRO)** agit comme une barre d'espacement lorsque vous appuyez deux fois dessus.
 - Les **FLÈCHES HAUT** et **BAS** permettent de naviguer d'une ligne à l'autre.
2. Sélectionnez ✓ pour enregistrer/fermer la fonction; sélectionnez **X** pour revenir à l'en-tête précédent sans enregistrer les données.

Vide pour entretien

À cette étape, la machine effectue le nettoyage de sa plomberie interne avant de procéder à l'installation.

1. Vérifiez le voyant du niveau d'huile de la pompe à vide et vérifiez que le niveau d'huile atteint le centre du voyant.
2. Quand vous y êtes invité, connectez les tuyaux de service de la machine à leurs orifices de stockage, comme indiqué sur la Figure 1. Sélectionnez ►► pour continuer.
3. La machine lance un cycle de dépression de 5 minutes et passe automatiquement au processus de configuration suivant une fois le cycle terminé.

Réglage de la valeur cible de remplissage en arrière-plan

Cette machine dispose d'une fonction de remplissage du réservoir en arrière-plan. Une cuve de stockage externe peut être raccordée par circuit fluide à la machine (par le biais du tuyau noir de remplissage du réservoir) pour une mise à niveau continue de la cuve de stockage interne. En puisant le réfrigérant au sein de la cuve de stockage externe raccordée, la machine charge périodiquement le réservoir de la cuve de stockage interne (CSI) à la valeur cible de remplissage souhaitée.

À l'aide des touches et du pavé numérique, saisissez la valeur cible de remplissage souhaitée (la quantité par défaut est de 4,54 kg).

Remplissage du réservoir

Cette procédure transfère le réfrigérant du réservoir source à la cuve de stockage interne (CSI) de la machine. La capacité maximale de la CSI est de 10 kg (22 lb). Utilisez les touches fléchées pour déplacer le curseur et le pavé numérique pour saisir une valeur.

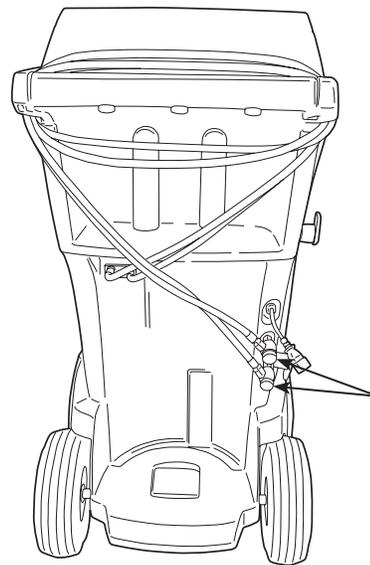
1. La machine affiche les champs concernant le volume de remplissage souhaité du réservoir, la capacité de charge et le volume de réfrigérant récupérable (capacité de récupération) dans la cuve de stockage interne. Saisissez le volume de remplissage souhaité du réservoir.

Remarque : Ajoutez au moins 3,6 kg de frigorigène pour garantir une quantité suffisante disponible pour la charge.

2. Raccordez le tuyau de remplissage du réservoir (noir) au connecteur de liquide sur le réservoir source.
3. Ouvrez la vanne du réservoir source.
4. Positionnez le réservoir source afin que le fluide réfrigérant soit acheminé vers le raccordement.



AVERTISSEMENT : afin d'éviter toute blessure corporelle lors de la manipulation du réfrigérant, veuillez lire et suivre les consignes et avertissements du présent manuel, et porter un équipement de protection, comme des lunettes et des gants.



Tuyaux de service connectés aux orifices de stockage

Figure 1

Remarque :

Capacité de charge : Quantité de réfrigérant dans la cuve de stockage interne pouvant être chargée vers un système de climatisation de véhicule.

Capacité de récupération : Quantité de réfrigérant supplémentaire pouvant être récupérée dans la cuve de stockage interne.

Configuration initiale

5. Sélectionnez ✓ pour lancer le processus de remplissage du réservoir. La machine commence à remplir la cuve de stockage interne. Ajoutez au moins 3,6 kg de réfrigérant pour garantir une quantité suffisante de réfrigérant disponible pour la charge. Ce processus dure entre 15 et 20 minutes.
6. La machine s'arrête lorsque la quantité prescrite de réfrigérant a été transférée dans la cuve de stockage interne ou lorsque le réservoir source est vide. Suivez les messages à l'écran.
7. Fermez la vanne du réservoir source.
8. Sélectionnez ✓ pour revenir au menu de configuration.

La machine est prête à fonctionner.

Remarque :

- *Il n'est pas nécessaire d'étalonner la balance; elle a été étalonnée en usine.*
- *Une fois le processus de remplissage du réservoir terminé, l'écran n'indique pas la même quantité que le niveau de remplissage programmé.*

L'écran indique la quantité de frigorigène disponible pour la charge, cette valeur étant inférieure d'environ 0,67 kg (1,4 lb) à la quantité totale de frigorigène contenue dans le réservoir.

Activation de la station

Si la machine n'est pas enregistrée et activée dans les 30 jours suivant le démarrage initial, elle se bloquera et ne fonctionnera plus.

1. Sélectionnez **ACTIV STATN** dans le **MENU CFG**. La machine affiche le message suivant :

XX jrs rest avt activ stat.
Activ mtnant?

2. Sélectionnez pour lancer le processus d'activation. La machine affiche le message suivant :

Activation produit

Code pduit perso:
XXXXXXXXXXXX

Sais cod:
XXXXXXXXXXXX

3. Ouvrez un navigateur Web sur un ordinateur et tapez <https://register.servicesolutionsportal.com>.
4. Saisissez l'identifiant et le mot de passe, puis connectez-vous au site Web.
Remarque : Si vous vous connectez pour la première fois, sélectionnez INSCRIPTION pour créer un identifiant et un mot de passe.
5. Sur l'ordinateur, tapez le code personnel du produit de la machine dans l'espace prévu pour la clé d'activation du produit sur le site Web pour recevoir un code d'activation.
6. Sur la machine, saisissez le code d'activation dans le champ approprié. Remarque : Saisissez le code tel que vous l'avez reçu. Vous devez utiliser des lettres majuscules.
7. Notez le code d'activation sur une feuille de papier que vous conserverez dans un endroit sûr. Sélectionnez .
8. La machine affiche le message suivant :

Activation réussie.

Sélectionnez **▶▶**. La machine est activée.

Consignes d'utilisation

Saisie des données d'entretien

Après avoir sélectionné n'importe quelle fonction d'entretien, les renseignements concernant le véhicule peuvent être saisis et stockés dans la base de données de la machine.

La machine affiche le message suivant :

Sais dn entret

1. Sélectionnez ✓ pour saisir une nouvelle entrée ou faire défiler l'écran pour sélectionner un véhicule précédemment entretenu, puis sélectionnez ✓. La sélection en surbrillance s'allume en rouge. La machine affiche le message suivant :

Sais dn entret

VIN: _____

Kilomét. : _____

Marq. _____

Modél : _____

2. Utilisez les touches fléchées pour passer d'une ligne à l'autre et le clavier pour saisir le texte.

Les informations saisies sur cet écran sont stockées par date et par numéro d'identification du véhicule (VIN). La base de données stocke les 25 dernières entrées, la plus récente se trouvant en haut de la liste.

L'information apparaît également sur les impressions en résumé de l'entretien demandé.



Récupération du réfrigérant d'un véhicule

1. Videz la bouteille de vidange d'huile avant d'entamer une récupération. Retirez la bouteille de vidange d'huile de la machine en la tirant tout droit vers le bas; évitez tout mouvement rotatif ou basculant. Réinstallez la bouteille de vidange d'huile. Reportez-vous à la Figure 2.

Remarque : Soyez prudent lors du retrait/de l'installation de la bouteille de vidange d'huile. Une force excessive pourrait endommager la cellule interne de charge.

2. Branchez les tuyaux de service côté haute pression (rouge) et côté basse pression (bleu) au système de climatisation du véhicule.
3. Ouvrez les vannes de couplage sur les tuyaux en tournant les colliers dans le sens horaire.
4. Sélectionnez **RÉCUP**  à partir de **MNU PCPL**.
5. La machine passe en mode formulaire de saisie des données d'entretien. Saisissez toutes les données applicables et sélectionnez pour continuer.
6. La machine demande si elle doit enregistrer les pressions de diagnostic. Sélectionnez pour continuer le processus de récupération ou pour enregistrer les pressions de fonctionnement du système de climatisation du véhicule. Suivez les invites qui s'affichent à l'écran et les spécifications du manuel d'entretien pour continuer.

La machine commence le processus de récupération. Un dé clic indique que le solénoïde s'ouvre et se ferme; ceci est normal.

La machine exécute un cycle d'autonettoyage pour éliminer tout reste de réfrigérant de la plomberie interne.

La récupération du système démarre et prépare un cycle de récupération intensive avec mise sous vide.

Une fois la récupération terminée, la machine effectue une vidange d'huile, qui peut prendre jusqu'à 90 secondes.

7. Une fois la vidange d'huile terminée, un résumé s'affiche et indique la quantité totale de réfrigérant et d'huile récupérée. Les informations de récupération et les diagnostics avant récupération peuvent être imprimés en sélectionnant . Sélectionnez  pour revenir au menu principal.

Remarque : Le poids de récupération affiché peut varier selon les conditions ambiantes et ne doit pas être utilisé comme indicateur de précision.



AVERTISSEMENT : afin d'éviter toute blessure corporelle lors de la manipulation du réfrigérant, veuillez lire et suivre les consignes et avertissements du présent manuel, et porter un équipement de protection, comme des lunettes et des gants.

Remarque : La quantité d'huile retirée du système de climatisation représente la quantité de nouvelle huile à charger dans le système de climatisation après l'évacuation.

- N'utilisez que de l'huile **neuve** pour remplacer l'huile évacuée lors du processus de recyclage.
- Éliminez l'huile usagée conformément aux réglementations gouvernementales.

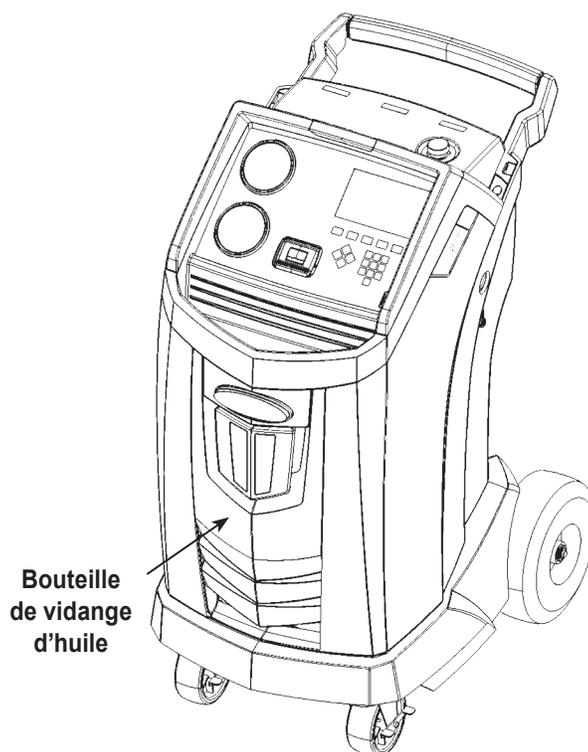


Figure 2

Consignes d'utilisation



Évacuation du système de climatisation du véhicule

1. Raccordez les tuyaux de service aux ports de service du véhicule.
2. Ouvrez les vannes de couplage des tuyaux de service en tournant les colliers dans le sens horaire.
3. Sélectionnez **VIDE**  à partir de **MNU PCPL**.
4. Au besoin, sélectionnez l'option Vérification d'étanchéité sous vide pour lancer automatiquement une vérification des fuites sous pression pendant 5 minutes après la mise sous vide.
5. Sélectionnez  pour confirmer la durée de 10 minutes par défaut pour l'évacuation, ou saisissez une durée de mise sous vide à l'aide des touches numériques.

Remarque : Le processus de mise sous vide s'arrêtera si la pression dépasse 0,35 bar (5 lb/po²). Récupérez le frigorigène avant de continuer.

La machine applique un vide sur le système de climatisation pendant la période de temps programmée.

La machine s'arrête lorsque la période de temps spécifiée s'est écoulée.

6. Pour imprimer les renseignements du vide, sélectionnez .
7. Sélectionnez  pour revenir au menu principal.



AVERTISSEMENT : afin d'éviter toute blessure lors de la manipulation du réfrigérant, veuillez lire et suivre les consignes et avertissements du présent manuel et porter un équipement de protection, comme des lunettes et des gants.

Nettoyage des tuyaux

Si le prochain véhicule à entretenir comporte un type d'huile différent de celui du véhicule précédent, il est recommandé de rincer l'huile résiduelle des tuyaux de service pour éviter la contamination.

1. Sélectionnez **NET TYX** à partir de **MENU CFG**. La machine affiche le message suivant :

Brancher tuyaux sur ports
de stockage et ouvrir soupapes coupleurs.

2. Raccordez les tuyaux de service aux branchements des ports de stockage de la machine comme illustré sur Figure 3.
3. Ouvrez les vannes de couplage des tuyaux de service en tournant les colliers dans le sens horaire.
4. Sélectionnez pour commencer le processus de rinçage des tuyaux, qui dure trois minutes et est suivi d'une récupération.

Lorsque le processus de rinçage des tuyaux est terminé, l'écran affiche :

NET TUYX
Complet.

5. Sélectionnez **▶▶** pour revenir au menu de configuration.
6. Fermez les vannes de couplage en tournant les colliers dans le sens contraire des aiguilles d'une montre.

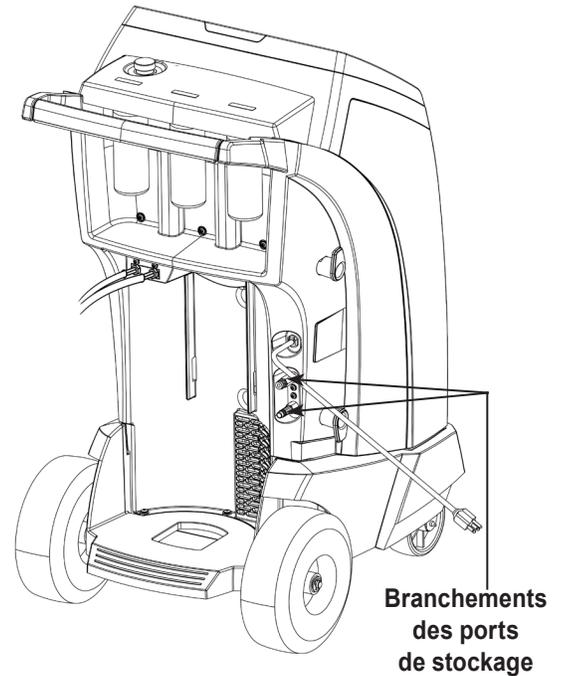
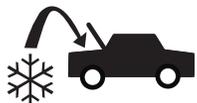


Figure 3

Consignes d'utilisation



Recharge du système de climatisation du véhicule

1. Raccordez les deux tuyaux de service aux ports d'entretien du véhicule.
2. Sélectionnez **CHARGER**  à partir de **MNU PCPL**.
3. Il sera demandé à l'utilisateur de saisir les données d'entretien. Sélectionnez une fois terminé pour continuer. L'écran affiche :

Chrg: XX,XXX kg	du côté haut
Qté huile: XXX ml	Btll: XX
Inj trac: O/N	
Charge mini 10g	

4. Utilisez les flèches et le pavé numérique pour saisir la valeur de charge souhaitée. Sélectionnez **kg|lbs|oz** pour changer les unités.
5. Utilisez les touches fléchées pour accéder à la sélection du chemin de charge. Le côté haute pression est sélectionné par défaut. Pour modifier ce réglage, sélectionnez **HSL** à partir du panneau de commande. Ceci permet à l'utilisateur de basculer entre les chemins de charge des côtés haute ou basse pression et des deux côtés. La sélection actuelle est affichée sur l'écran.
6. L'huile peut également être injectée dans le système pendant la charge. Utilisez le pavé numérique pour saisir la quantité d'huile que vous souhaitez injecter. Sélectionnez **m|oz** pour changer les unités. Si vous le désirez, sélectionnez **Y** pour l'injection de colorant. Cela ajoute environ 7 ml (0,25 oz) de colorant UV à la charge. Assurez-vous que la bouteille d'injection d'huile/de colorant située à l'arrière de la machine contient de l'huile.
7. Sélectionnez pour lancer le processus de charge. Le fait de déplacer la machine ou de buter contre elle à ce moment-là peut entraîner une charge incorrecte. Lorsque le cycle de charge s'approche de la valeur de poids souhaitée, la machine ralentit. Celle-ci chargera, ralentira, chargera de nouveau, ralentira, etc.
8. Quand vous y êtes invité, sélectionnez pour effectuer l'égalisation de la pression dans les tuyaux. Sélectionnez pour effectuer une compensation des tuyaux.

Remarque : L'utilisateur doit démarrer le véhicule pour effectuer l'égalisation des tuyaux. L'égalisation des tuyaux ajoute une quantité prédéfinie de frigorigérant pour compenser le volume des tuyaux de service.

9. L'écran **CHARGE TERM** comprend un résumé des résultats de la charge lorsqu'il apparaît. Sélectionnez  pour imprimer un résumé. Sélectionnez **▶▶** pour nettoyer les tuyaux de service.
10. L'utilisateur sera invité à fermer les vannes de couplage et à débrancher les tuyaux du véhicule. Sélectionnez **▶▶** pour récupérer le réfrigérant restant dans les tuyaux. Une fois les tuyaux vidés, la machine revient au menu principal.

Le système de climatisation du véhicule est maintenant prêt à être utilisé.



AVERTISSEMENT : afin d'éviter toute blessure corporelle lors de la manipulation du réfrigérant, veuillez lire et suivre les consignes et avertissements du présent manuel, et porter un équipement de protection, comme des lunettes et des gants.

Remarque : Le processus de chargement diffère d'un véhicule à un autre. La fonction de chargement pour les véhicules munis d'un raccord de service unique doit être réalisée manuellement. Reportez-vous au manuel d'entretien du véhicule pour obtenir des consignes plus précises.

MISE EN GARDE : si les soupapes de coupleur du côté basse pression (bleu) et du côté haute pression (rouge) restent ouvertes lors du processus de nettoyage des tuyaux, le système fera ressortir le réfrigérant du véhicule.



Fonction automatique

La fonction **AUTO** permet à l'utilisateur d'effectuer automatiquement une récupération, une mise sous vide, un essai d'étanchéité et/ou une séquence de charge. Une séquence automatique complète peut durer jusqu'à une heure.

1. Branchez les tuyaux de service côté haute pression (rouge) et côté basse pression (bleu) au système de climatisation.
2. Ouvrez les vannes de couplage des tuyaux de service en tournant les colliers dans le sens horaire.
3. Sélectionnez **AUTO**  à partir de **MNU PCPL**. L'écran affiche :

Tps vide: XX:XX
Test de vide: A
Chrg: XX,XXX kg du côté haut
Huile supp : XXX ml Btlle: XX
Inj trac: O/N
Tps vide mini 1s

4. Utilisez le pavé numérique pour saisir la durée souhaitée de la mise sous vide.
5. À l'aide des touches fléchées, naviguez vers le bas pour choisir d'effectuer ou non un essai d'étanchéité sous vide. Il est activé par défaut. Pour modifier ce réglage, sélectionnez **I/O** à partir du panneau de commande.
6. Utilisez la touche fléchée vers le bas pour naviguer vers le champ « niveau de charge ». Utilisez les flèches et le pavé numérique pour saisir la valeur de charge souhaitée. Sélectionnez **kg | lbs | oz** pour changer les unités.
7. Utilisez les touches fléchées pour naviguer vers la « sélection du chemin de charge ». Le côté haute pression est sélectionné par défaut. Pour modifier ce réglage, sélectionnez **H/S/L** à partir du panneau de commande. Ceci permet à l'utilisateur de basculer entre les chemins de charge des côtés supérieur ou inférieur et des deux côtés. L'écran affiche le texte de la sélection actuelle.
8. Utilisez les touches fléchées pour naviguer vers le champ « huile supplémentaire ». Utilisez le pavé numérique pour saisir la quantité d'huile supplémentaire que vous souhaitez injecter. Sélectionnez **m | oz** pour changer les unités. Si vous le désirez, sélectionnez **Y** pour l'injection de colorant. Cela ajoute environ 7 ml (0,25 oz) de colorant UV à la charge. Assurez-vous que la bouteille d'injection d'huile/de colorant située à l'arrière de la machine contient de l'huile.

Remarque : Une quantité supplémentaire d'huile spécifiée est ajoutée à la quantité récupérée. Si aucune quantité d'huile

supplémentaire n'est spécifiée, la machine injecte la même quantité d'huile qui a été récupérée (en mode automatique seulement).

9. Sélectionnez pour commencer le cycle **AUTO**. Votre unité effectue alors un passage automatique sur toutes les fonctions applicables : **RÉCUP**, **VIDE** et **CHARGER**. Si le véhicule en réparation a déjà subi des interventions de récupération et de mise sous vide, la machine n'effectuera que le processus **CHARGER**.
10. L'écran **AUTO TERMINÉ** contient un résumé des résultats lorsqu'il apparaît. Sélectionnez  pour imprimer un résumé. Sélectionnez **▶▶** pour confirmer.
11. L'utilisateur sera invité à fermer les vannes de couplage et à débrancher les tuyaux du véhicule. Sélectionnez **▶▶** pour récupérer le réfrigérant restant dans les tuyaux. Une fois les tuyaux vidés, la machine revient au menu principal.

Le système de climatisation du véhicule est maintenant prêt à être utilisé.

Remarques :

- *La fonction **CHARGER** pour les véhicules munis d'un raccord de service unique doit être effectuée manuellement, conformément aux procédures du manuel d'entretien du fabricant du véhicule.*
- *Si la fonction **RÉCUP** n'a pas été effectuée, il est possible de saisir la quantité d'huile à injecter tout en programmant les renseignements de **CHARGER**.*
- *Si des problèmes surviennent pendant la séquence automatique, une alerte sonore retentit trois fois. La séquence reste en mode pause jusqu'à ce que l'utilisateur prenne une décision sur la marche à suivre.*

Consignes d'utilisation

Rinçage du système

La fonction **RINÇ SYST** est effectuée avec un adaptateur de rinçage approuvé par le fabricant du véhicule. Reportez-vous aux instructions fournies avec l'adaptateur pendant l'exécution des étapes suivantes.

1. Vérifiez que le filtre et le tamis de l'appareil de rinçage ne sont pas bouchés.
2. Installez le rinceur à l'arrière de la machine Robinair.
3. Enlevez la bouteille de vidange d'huile de la machine Robinair (voir Figure 4). Videz la bouteille d'huile et éliminez l'huile conformément aux réglementations applicables. Réinstallez la bouteille de vidange d'huile sur la machine.
4. Récupérez tout le réfrigérant restant dans le circuit à rincer.
5. Notez la quantité d'huile recueillie au cours de la récupération. Cette quantité doit être remplacée, ainsi que toute huile recueillie au cours du rinçage.

Remarque : La quantité d'huile recueillie et signalée pendant le rinçage du système n'inclut pas la quantité d'huile recueillie au cours de la récupération initiale.

6. Vérifiez qu'il y a au moins 6,0 kg (13,2 lb) de réfrigérant dans la machine. La machine ne pourra pas effectuer de rinçage du circuit si la cuve de stockage interne ne contient pas au moins 6,0 kg de réfrigérant.

Remarque : Si la machine ne contient pas au moins 6,0 kg (13,2 lb) de réfrigérant, consultez la section Remplissage du réservoir de ce manuel.

7. Déconnectez la machine du véhicule.
8. Reportez-vous au manuel d'entretien du véhicule et branchez les adaptateurs de rinçage et les tubes de dérivation adéquats.
9. Branchez le tuyau de service côté bas (bleu) directement sur le filtre du nécessaire de rinçage.
10. Enlevez le coupleur de maintenance côté haut (rouge) et branchez le tuyau de service côté haut (rouge) à l'adaptateur de la ligne d'aspiration du système.
11. Utilisez le tuyau fourni pour connecter l'adaptateur de décharge du système à l'entrée de l'appareil de rinçage.
12. Branchez les tuyaux conformément aux instructions fournies avec le nécessaire de rinçage.



AVERTISSEMENT : afin d'éviter toute blessure corporelle lors de la manipulation du réfrigérant, veuillez lire et suivre les consignes et avertissements du présent manuel, et porter un équipement de protection, comme des lunettes et des gants.

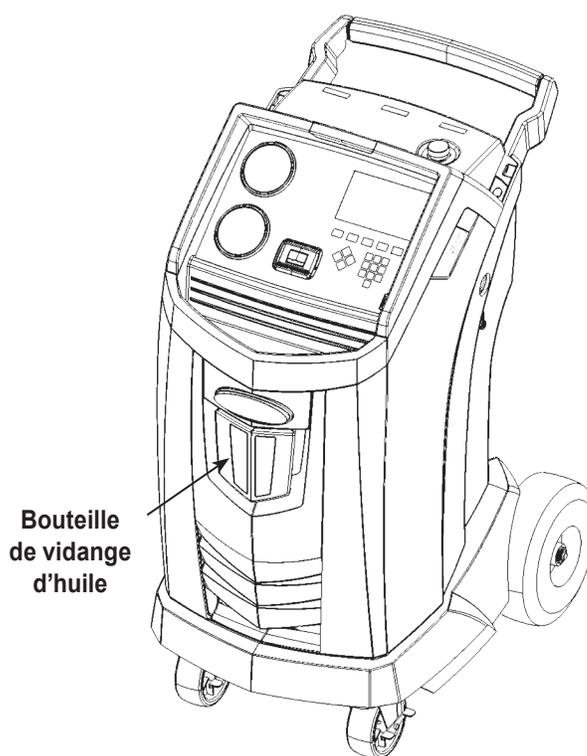


Figure 4

13. Sélectionnez **RINÇ SYST** à partir de **MENU CFG**. L'unité vous propose de saisir des données d'entretien, si applicable. Sélectionnez ✓ pour poursuivre le processus de rinçage du circuit. L'utilisateur peut être invité à saisir une durée totale de rinçage en fonction du processus de rinçage activé.

La machine lance alors automatiquement le processus de **VIDE** et effectue un essai d'étanchéité.

Une fois la mise sous vide et l'essai d'étanchéité terminés, l'unité procède au rinçage réel du circuit, suivi d'une vidange d'huile.

14. Lorsque l'écran affiche **RINÇ TERM**, il contient un résumé des résultats du rinçage du circuit. Sélectionnez  pour imprimer un résumé. Sélectionnez ►► pour revenir à **MENU CFG**.

Le système de climatisation du véhicule a été rincé.

 **AVERTISSEMENT : NE débranchez PAS les coupleurs de service pendant le processus de rinçage. Le réfrigérant pourrait jaillir hors des raccords et une exposition pourrait provoquer des blessures corporelles.**

MISE EN GARDE : le kit de rinçage dispose d'un filtre remplaçable ainsi que d'un tamis à débris qui peuvent se boucher. À la fin du cycle de rinçage, vérifiez la pression du système avec la jauge côté haute pression (rouge) et vérifiez l'adaptateur pour vous assurer que le réfrigérant a été complètement évacué.

En présence de pression ou de réfrigérant, quittez le cycle de rinçage et entrez en mode de récupération pour récupérer le réfrigérant par les tuyaux côté haut (rouge) et bas (bleu). Réparez ensuite les filtres et répétez le processus de rinçage.

Entretien

Programme d'entretien

Intervention d'entretien	Intervalle recommandé
Changer le filtre	Après le filtrage de 68 kg (331 lb) de réfrigérant. Consultez la rubrique Maintenance du filtre dans la section Entretien de ce manuel.
Changer l'huile de la pompe à vide	Lorsque le filtre est remplacé. Consultez la rubrique Changement de l'huile de la pompe à vide dans la section Entretien de ce manuel.
Vérifier l'état de fonctionnement des roues et des roulettes.	Une fois par mois.
Contrôler le calibrage de la balance interne	Une fois par mois. Consultez Contrôle du calibrage dans la section Entretien de ce manuel.
Vérifier la présence de fuites sur la machine	Une fois par mois. Vérifiez la présence de fuites sur les tuyaux et les raccords. Débranchez l'alimentation, retirez l'enveloppe de protection et utilisez un détecteur de fuites électronique pour vérifier les raccords.
Nettoyer le panneau de sortie d'air (voir Figure 5)	Une fois par mois. Utilisez un chiffon propre.
Nettoyer l'armoire et le panneau de commande	Une fois par mois. Utilisez un chiffon propre.
Inspecter le cordon d'alimentation et les tuyaux pour repérer des traces de coupures et d'abrasion	Tous les jours.
Graisser les roulements de moyeux et inspecter les composants des freins	Une fois par mois.
Essai de pression	Tous les 10 ans. Effectué par un centre de maintenance Robinair agréé.

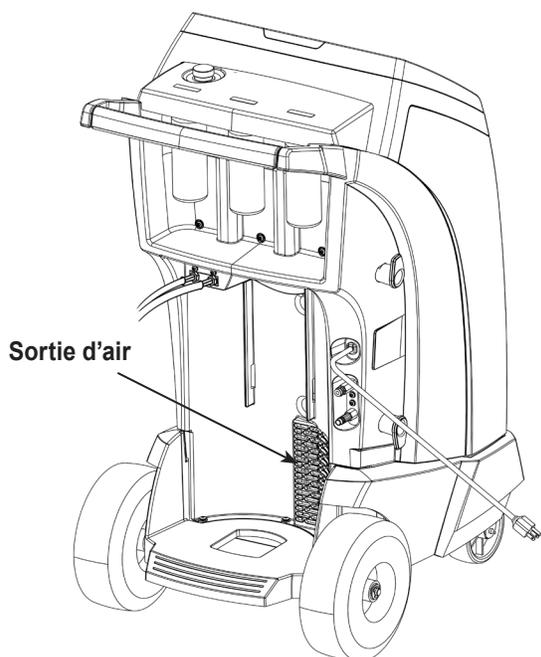


Figure 5

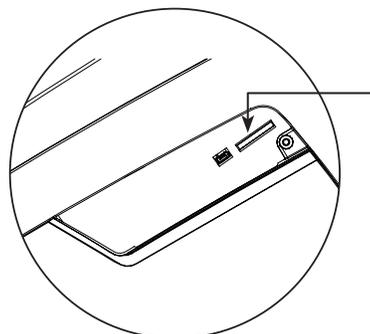


AVERTISSEMENT : pour prévenir toute blessure, seul le personnel qualifié peut réaliser les inspections et les réparations sur cette machine. Lisez et suivez les instructions ainsi que les avertissements dans ce manuel, et portez un équipement de protection, comme des lunettes et des gants.

Chargement de la langue

Suivez les instructions suivantes pour ajouter ou mettre à jour une langue à partir d'une carte SD.

1. Choisissez **SÉLECT LGUE** dans **MENU CFG**.
2. Servez-vous des touches fléchées pour naviguer jusqu'à **CHRG NV**. Sélectionnez ✓.
3. Insérez la carte SD contenant les données de langue dans le panneau latéral de la machine. Reportez-vous à la Figure 6.
4. Suivez les invitations pour sélectionner la langue à charger ou à mettre à jour. Si vous chargez une nouvelle langue, vous devrez choisir quelle langue remplacer.



Insérez une
carte SD
contenant la
nouvelle langue
ou la langue
mise à jour.

Figure 6

Réglage de la valeur cible de remplissage en arrière-plan

Cette machine dispose d'une fonction de remplissage du réservoir en arrière-plan. Une cuve de stockage externe peut être raccordée par circuit fluide à la machine (par le biais du tuyau noir de remplissage du réservoir) pour une mise à niveau continue de la cuve de stockage interne. En puisant dans la cuve de stockage externe raccordée, la machine charge périodiquement le réservoir de la cuve de stockage interne à la valeur cible de remplissage souhaitée.

1. Pour choisir la valeur cible de remplissage de réfrigérant en arrière-plan, trouvez l'option **RÉGL VALEUR CIBL REMPL A-PLAN** dans **MENU CFG**.
2. À l'aide des flèches et du pavé numérique, saisissez la quantité de remplissage souhaitée. Sélectionnez ✓ pour enregistrer la nouvelle valeur et quitter. Sélectionnez ✗ pour quitter et continuer d'utiliser la quantité définie avant la modification.

Remplissage du réservoir

Cet élément de menu sert à transférer le réfrigérant d'un réservoir source vers la cuve de stockage interne.

La capacité maximale de la cuve de stockage interne est de 10 kg. Utilisez les touches fléchées pour déplacer le curseur et le pavé numérique pour saisir une valeur. Remarque : Ajoutez au moins 3,6 kg de réfrigérant pour garantir une quantité suffisante de réfrigérant disponible pour la charge.

1. Raccordez le tuyau de remplissage du réservoir (noir) au connecteur de liquide sur le réservoir source plein.
2. Positionnez le réservoir source afin que le fluide réfrigérant soit acheminé vers le raccordement. Ouvrez la vanne du réservoir source.
3. Sélectionnez **REMPLE RÉ** dans **MENU CFG**. La machine affiche le message suivant :

Remplissage du réservoir
Volume de remplissage : XX,XXX
Capacité de charge : XX,XXYY
Capacité de récupération : XX,XXYY

4. Saisissez la quantité à récupérer et sélectionnez ✓. Ajoutez au moins 3,6 kg de réfrigérant pour garantir une quantité suffisante pour assurer la charge.
5. La machine commence à remplir la cuve de stockage interne et s'arrête automatiquement lorsque le niveau préréglé de remplissage du réservoir est atteint. Pour arrêter le remplissage du réservoir avant que le niveau préréglé ne soit atteint, sélectionnez ✓. Une option qui vous permet de quitter s'affiche à l'écran.
6. Une fois l'opération terminée, retirez le tuyau du réservoir source.



AVERTISSEMENT : afin d'éviter toute blessure corporelle lors de la manipulation du réfrigérant, veuillez lire et suivre les consignes et avertissements du présent manuel, et porter un équipement de protection, comme des lunettes et des gants.

Maintenance du filtre

Le filtre a été conçu pour capter l'acide et les particules, et pour éliminer l'humidité du réfrigérant. Afin de répondre aux normes en matière d'élimination adéquate de l'humidité et des contaminants, il faut remplacer le filtre après 68 kg (150 lb) de réfrigérant filtré.

La machine émet un avertissement lorsque 57 kg (125 lb) de la capacité du filtre a été utilisée; elle se bloque lorsque les 68 kg (150 lb) de capacité du filtre ont été atteints et arrête de fonctionner.

Vérification de la capacité de filtre restante

1. Sélectionnez **MAINTEN FILTR** dans **MENU CFG** ou lorsque la machine vous y invite. La machine affiche le message suivant :

Capacité filtre restante : XXX,XO kg
Remp filtr mtenant?

La machine affiche la capacité de filtre restante jusqu'au blocage de la machine.

2. Sélectionnez ✓ pour changer le filtre; sélectionnez ✗ pour continuer à utiliser la machine.

⚠ AVERTISSEMENT : les éléments dans la machine sont sous haute pression. Pour éviter les blessures corporelles, changez le filtre uniquement lorsque la machine vous y invite.

Mise en garde : pour éviter d'endommager l'équipement, utilisez uniquement les filtres Robinair n° 34724 dans cette machine. L'ensemble des déclarations et essais de rendement est basé sur l'utilisation de ce filtre spécifique.

Entretien

Remplacement du filtre

1. Si la touche ✓ a été sélectionnée pour changer le filtre, la machine demande la saisie du code du nouveau filtre.

Saisir n° nouv filtre

Servez-vous du clavier pour saisir le numéro de série qui se trouve sur le nouveau filtre et appuyez sur ✓ pour continuer.

Remarque : Si le message « Num série invalide » s'affiche, le numéro de série n'a pas été bien saisi, ou le filtre a déjà été utilisé sur cette machine.

2. La machine nettoie le filtre installé, puis affiche :

Num série accepté.

Couper alim et rempli filtre.

Éteignez la machine. Enlevez la bouteille d'huile. Retirez les quatre vis maintenant le capot de protection. Reportez-vous à la Figure 7.

3. Accrochez le capot de protection à l'arrière de la machine comme indiqué sur la Figure 8.
4. Retirez le filtre en le tournant dans le sens inverse des aiguilles d'une montre (par rapport au bas du filtre).
5. Observez le nouveau filtre. Assurez-vous que les deux joints toriques sont graissés et insérés correctement dans les cannelures.
6. Installez le nouveau filtre en le vissant en place dans le sens des aiguilles d'une montre. Vérifiez que le filtre est bien positionné, tel qu'indiqué sur la figure 8. Serrez le filtre à 20 N•m.
7. Allumez la machine. Le processus de Changement de l'huile de la pompe à vide commence, et l'écran affiche

Chauf huile pr vidge. XX:XX

Voir « Changement de l'huile de la pompe à vide » à la page 30 pour plus de renseignements.

La machine commence alors le processus de Vérification d'étanchéité. Voir « Vérification d'étanchéité » à la page 31 pour plus de renseignements.

Attention: Pour éviter d'endommager l'équipement, utilisez uniquement authentiques Robinair n° 34724 filtres dans cette machine. Tous les tests et les demandes de performance sont basés sur l'utilisation de ce filtre spécifique.

Retirez les quatre vis maintenant le capot de protection.

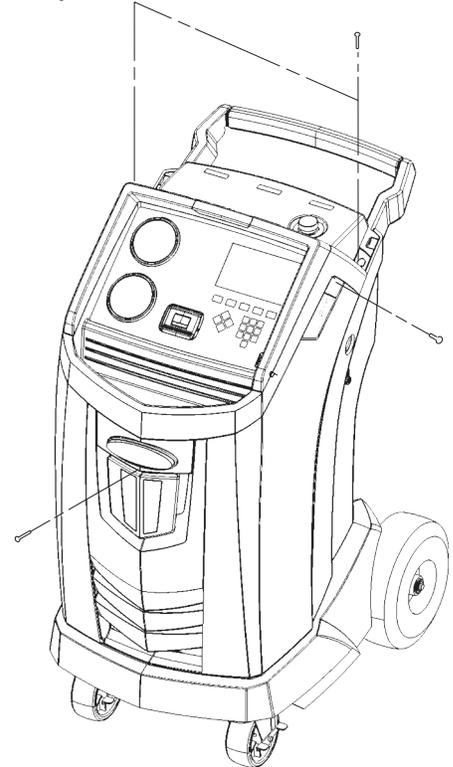


Figure 7

Accrochez le capot de protection ici

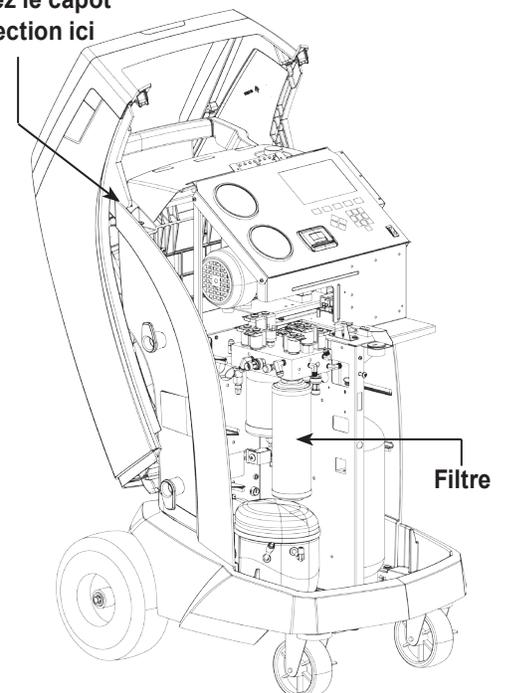


Figure 8

Contrôle du calibrage

Cette fonction sert à s'assurer que la balance interne de la machine est toujours bien calibrée. Lors de cet essai, utilisez uniquement le poids de calibrage fourni avec la machine.

1. Reportez-vous à la Figure 9 et assurez-vous que l'aimant en bas de la machine est propre.
2. Sélectionnez **CTRL. CALIBRAGE** dans **MENU CFG**. La machine affiche le message suivant :

Placer poids de calibrage sur l'aimant
situé en bas de la station

3. Fixez le poids de calibrage à l'aimant en bas de la machine. Sélectionnez ✓ pour continuer.
4. La machine affiche le message suivant :

Enlever un petit poids de calibrage de la balance

Retirez le poids de calibrage de l'aimant. Sélectionnez ✓ pour continuer.

- Si l'écran indique :

Vérif étalon réussi.

la balance est calibrée. Sélectionnez ►► pour revenir au menu de configuration.

- Si l'écran indique :

Échec vérif étalon. Réess?

la balance n'est pas calibrée. Pour réessayer, sélectionnez ↺. Si le calibrage continue d'échouer, contactez un centre de service Robinair agréé pour obtenir de l'aide.

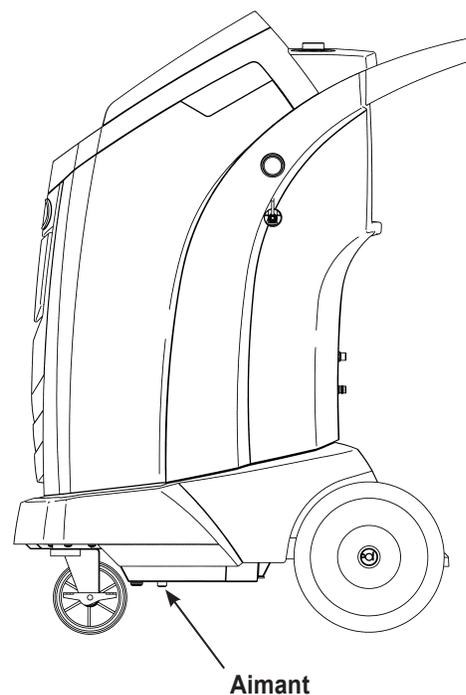


Figure 9

Entretien

Changement de l'huile de la pompe à vide

1. Sélectionnez **MAINT PPE** dans **MENU CFG** ou lorsque la machine vous y invite. L'affichage indique la durée de fonctionnement de la pompe depuis la dernière vidange d'huile.

Tps restant huile
XXX:XX (hhh:mm)
Chng hl mtnant?

2. Sélectionnez pour changer l'huile de la pompe à vide. Si la machine affiche

Chauf huile pr vidge
XX:XX

laissez la pompe à vide tourner pendant deux minutes pour réchauffer l'huile. Si l'huile est déjà chaude, l'écran affiche :

Vidger huile usée pompe et rempl
par 150 ml huile neuve.
Retr bouchon rempl pr accél vid

3. Ouvrez lentement le bouchon de remplissage d'huile pour vérifier qu'il n'y a pas de pression dans la machine. Enlevez ensuite le bouchon avec précaution. Reportez-vous à la Figure 10.
4. Retirez le bouchon de vidange d'huile et vidangez l'huile dans un récipient adéquat pour la mise au rebut. Remettez le bouchon et serrez bien. Sélectionnez **▶▶** pour continuer.
5. La machine affiche le message suivant :

Rempl pomp à vid
milieu jauge.
Repl bouchon rempliss.

Ajoutez lentement de l'huile dans la pompe à vide par l'orifice de remplissage jusqu'à ce que le niveau d'huile atteigne le milieu du voyant. Installez le bouchon sur l'orifice de remplissage de l'huile et serrez bien. Sélectionnez **▶▶** pour revenir au **MENU CFG**.

Remarque : Pour obtenir un niveau d'huile adéquat, assurez-vous que la machine se trouve sur une surface plane.

⚠ AVERTISSEMENT : dans le but d'éviter des blessures corporelles, **NE FAITES PAS fonctionner la machine tant que le bouchon de l'orifice de remplissage d'huile n'est pas en place, car la pompe à vide est mise sous pression lors d'un fonctionnement normal.**

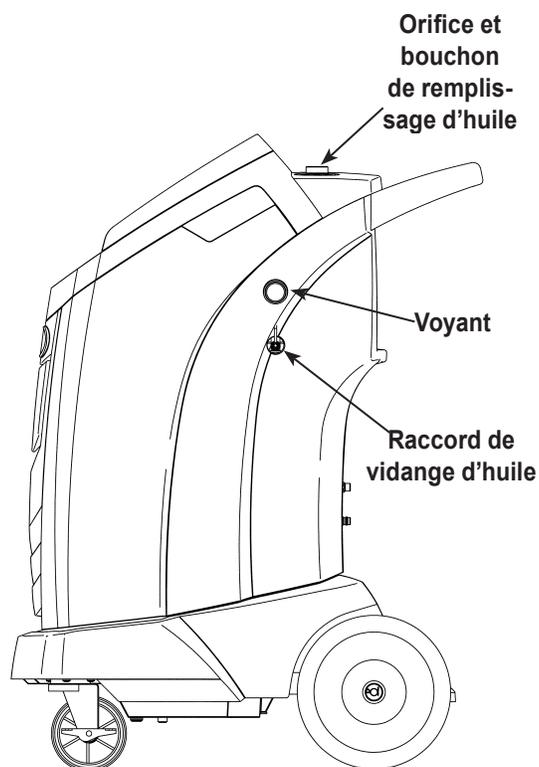


Figure 10

MISE EN GARDE : l'utilisateur est responsable de la surveillance du niveau et de la pureté de l'huile de pompe à vide. Si l'huile contaminée n'est pas retirée de la pompe à vide, puis remplacée, la pompe à vide subira des dommages permanents.

Vérification d'étanchéité

Un contrôle d'étanchéité peut être réalisé sur la machine à tout moment. Pendant ce test, les éléments contenant du réfrigérant sont pressurisés et surveillés pour tout signe de chute de pression pouvant indiquer une fuite.

1. Sélectionnez **TST FUITE** depuis **MENU CFG**. La machine affiche le message suivant :

Brancher tuyaux sur ports de stockage et ouvrir soupapes coupleurs.

2. Connectez les coupleurs de service des tuyaux aux ports de stockage à l'arrière de l'appareil. Ouvrez les coupleurs en tournant les colliers dans le sens des aiguilles d'une montre..
3. Sélectionnez ✓ pour démarrer. La machine effectue une autoré-cupération et affiche

Récup en cours

La machine effectue un essai sous vide de 30 secondes et affiche :

Vérif. étanch vid

Si l'essai sous vide échoue, la machine vous demandera de vérifier la présence de fuites.

Si l'essai sous vide effectué par la machine est concluant, une pression contrôlée est appliquée à ses composants internes. La machine affiche le message suivant :

Vérif. étanch press

La pression est maintenue pendant cinq minutes et surveillée pour tout signe de chute. Le décompte des minutes et des secondes est affiché à l'écran.

- Si une perte de pression acceptable est détectée, la machine récupère le réfrigérant et revient au menu de configuration. Elle est alors prête à fonctionner normalement.
- Si une perte de pression inacceptable est détectée, la machine vous demandera de vérifier la présence de fuites. Apportez la machine dans un centre de service Robinair agréé pour la faire réparer.



AVERTISSEMENT : afin d'éviter toute blessure corporelle lors de la manipulation du réfrigérant, veuillez lire et suivre les consignes et les avertissements du présent manuel, et porter un équipement de protection, comme des lunettes et des gants.



AVERTISSEMENT : pour éviter toute blessure corporelle, si la machine nécessite d'être transportée vers un centre de service Robinair local, observez les réglementations du gouvernement local concernant le transport d'équipement contenant du R-134a.

Modification de l'en-tête de l'impression

Pour modifier le texte affiché sur cet écran :

1. Sélectionnez **MODIF EN-TÊTE IMPR** depuis **MENU CFG**.
2. Le curseur se trouve dans le premier champ. Actualisez le texte à l'aide des flèches et de l'interface de saisie de texte sur le pavé numérique :
 - La **FLÈCHE GAUCHE** et **X** agit comme la touche de retour arrière.
 - La **FLÈCHE DROITE** déplace le curseur vers la droite.
 - La **TOUCHE ZÉRO (0)** a le même effet que la barre d'espace.
 - Les **FLÈCHES HAUT** et **BAS** permettent de naviguer d'une ligne à l'autre.
3. Sélectionnez **✓** pour enregistrer les modifications et revenir au menu de configuration. Sélectionnez **X** pour rétablir l'en-tête précédent et revenir au menu de configuration.

Remplacement du papier d'imprimante

Pour installer un nouveau rouleau de papier dans l'imprimante :

1. Retirez le couvercle de l'imprimante en tirant sur la languette tel qu'indiqué sur la Figure 11.
2. Retirez le mandrin de carton.
3. Installez le nouveau rouleau de papier en orientant la fin du papier en haut du rouleau.
4. Positionnez le couvercle sur l'imprimante en plaçant le bord d'attaque du papier par-dessus le rouleau.

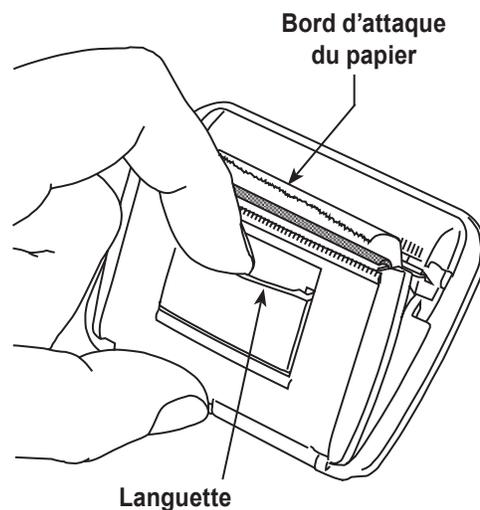


Figure 11

Fonction de service de la climatisation

Pièces de rechange

Composant	N° de pièce de rechange
Poids de calibrage	16214
Filtre	34724
Bouteille de vidange d'huile	19100
Bouteille d'injection d'huile/colorant	19103
Imprimante	30038
Papier d'imprimante (3 rouleaux)	34214
Coupleur de service BP	18190A
Coupleur de service HP	18191A
Jeu de coupleurs de service (coupleurs côté haute pression [rouge] et côté basse pression [bleu])	18192
Ensemble de tuyaux sans coupleurs (côté haute pression [rouge] et côté basse pression [bleu])	71789
Coupleur de tuyau de service (côté basse pression, bleu)	70020
Coupleur de tuyau de service (côté haute pression, rouge)	70021
Huile de pompe à vide (chopine)	13119
Huile de pompe à vide (quart américain)	13203
Huile de pompe à vide (gallon américain)	13204
Protecteur en vinyle (en option)	17499



AVERTISSEMENT : pour prévenir les blessures corporelles, utilisez uniquement les pièces de rechange figurant sur cette nomenclature de pièces. Les articles qui composent cette nomenclature ont été testés avec soin et sélectionnés par Robinair.

Glossaire

Système de climatisation : système de climatisation du véhicule en réparation.

Évacuation : l'humidité et les autres composés non condensables sont retirés du système de climatisation par une pompe à vide.

Cuve de stockage interne : cuve de stockage de réfrigérant réutilisable conçue spécialement pour cette machine; capacité de 10 kg (22 lb).

Essai d'étanchéité (à vide) : les éléments contenant du réfrigérant sont vidés et surveillés en cas de montée de pression, ce qui pourrait indiquer une fuite.

Machine : Modèle n° 34988NI.

Recherche de fuites : les éléments contenant du réfrigérant sont pressurisés et surveillés en cas de chute de pression, ce qui pourrait indiquer une fuite.

Récupération/Recyclage : le réfrigérant est récupéré d'un système de climatisation, filtré et stocké dans la cuve de stockage interne.

Réfrigérant : R-134a.

Dépannage

Affichage	Cause	Solution
ÉCHEC VÉRIF ÉTALON.	La balance interne n'est pas étalonnée.	Sélectionnez  pour effectuer à nouveau une vérification de l'étalonnage. Si l'étalonnage échoue encore, quittez l'essai en cours et contactez un centre de maintenance Robinair agréé en vue d'une réparation.
CHRG BLOQ!	Le réfrigérant est bloqué dans la cuve de stockage interne ou dans la machine.	Vérifiez que les branchements sont bien fixés et que les valves sont dans la bonne position.
BD INDISPO.	La machine n'est pas livrée avec une base de données installée.	Contactez un centre d'entretien Robinair agréé pour plus d'informations.
SURPDS RÉSERV.	Le trop-plein a déclenché le circuit de sécurité. La machine est bloquée à cause d'une quantité trop importante de réfrigérant dans la cuve de stockage interne.	Contactez un centre d'entretien Robinair agréé pour plus d'informations.
CAPACITÉ DU FILTRE ÉPUISEE. FILTRE À REMPLACER FILTRÉ:XXX.XYY REMPLE FILTR MTNANT?	68 kg (150 lb) ou plus de réfrigérant ont été récupérés depuis le dernier changement de filtre.	Se reporter à la section Maintenance du filtre de ce manuel pour les instructions de changement de filtre.
HP RÉSERVOIR.	La machine est bloquée, car la pression à l'intérieur de la cuve de stockage interne est trop forte, probablement à cause d'une température excessivement haute du réservoir.	Laissez la machine refroidir avant de procéder à un entretien ultérieur du système de climatisation. Si le problème persiste, contactez un centre d'entretien Robinair agréé pour plus d'informations.
ÉCHEC PURETÉ RÉFRIGÉRANT	Le réfrigérant testé n'est pas du R134a ou il est contaminé.	Ne récupérez pas du frigorigène contaminé dans la machine; utilisez une unité de récupération de frigorigène externe spécialement dédiée au frigorigène contaminé.
PRESS ENTRÉE TP FORT PR VID.	Avant que la machine ne commence l'évacuation du système de climatisation, elle vérifie la présence de pression dans le système susceptible d'endommager la pompe à vide. Dans ce cas, la pression du système se situe au-dessus de 0,35 bar.	Sélectionnez  . Consultez la section Récupération de ce manuel pour récupérer le réfrigérant avant de continuer.
QTÉ INSUFF D'HUILE À INJ	Il se peut que la bouteille d'injection d'huile sélectionnée ne contienne pas assez d'huile pour effectuer l'injection.	Remplissez la bouteille, saisissez une nouvelle fois la quantité d'huile, ou continuez la charge sans injection d'huile.

Affichage	Cause	Solution
QTÉ INSUFF. RÉFRIG. IL FT 6,0KG (13.2LB) PR RINÇ SYST.	La CSI ne contient pas assez de réfrigérant pour effectuer un rinçage du système.	Consultez Remplissage du réservoir dans la section Entretien de ce manuel.
QUANTITÉ RÉFRIG INSUFFISANTE PR CHARGE. SÉLECT : XX,XXYY DISPO : XX,XXYY	Après avoir entré le poids voulu, si le processus de charge laisse moins de 0,67 kg (1,4 lb) de réfrigérant dans la cuve de stockage interne, la fonction de charge ne démarrera pas.	Consultez la rubrique Remplissage du réservoir dans la section Entretien de ce manuel.
CODE INVALIDE	Le code d'activation saisi dans la machine est incorrect.	Vérifiez que le code d'activation a été saisi exactement tel que vous l'avez reçu. Vous devez utiliser des lettres majuscules.
NUM SÉRIE INVALIDE	Le numéro de série du filtre saisi dans la machine est incorrect.	Vérifiez que le numéro de série saisi correspond à celui inscrit sur le filtre. Vérifiez que le filtre n'a pas été utilisé au préalable sur la machine.
ÉCHEC ESS ÉTAN.	Une fuite dans le système de climatisation du véhicule.	Quittez l'essai en cours et procédez aux réparations sur le système de climatisation du véhicule.
0 PRESS ORIF ASPI, VÉRIF RACCORD RÉCUP QD MÊM?	La pression du système est inférieure à 0,35 bar.	Assurez-vous que les tuyaux du côté haute pression (rouge) et basse pression (bleu) sont branchés et que les vannes de couplage sont ouvertes. Sélectionnez  pour la RÉCUPÉRATION; sélectionnez  pour contourner la récupération et passer à ASPIRATION.
VDNG HUIL STOP	La pression de l'accumulateur n'a pas réussi à dépasser 1,10 bar pendant la minute qui précède une vidange d'huile possible.	Une pression adéquate est nécessaire dans l'accumulateur pour que l'huile séparée du réfrigérant soit purgée du système. Sélectionnez  pour recommencer; sélectionnez  pour quitter.
TPS RESTANT HUILE XX:XXX CHNG HL MTNANT?	L'écran affiche la durée de vie restante d'huile avant que la machine se bloque.	Reportez-vous à la section Entretien de ce manuel pour savoir comment changer l'huile de la pompe à vide.
PRESS ACCU HORS LIMITES	Le détecteur de pression de l'accumulateur ne détecte pas correctement la pression.	Quittez l'essai en cours et contactez un centre d'entretien Robinair agréé pour plus d'informations.
PRESS CSI HORS LIMITES	Le détecteur de pression de la cuve de stockage interne ne détecte pas correctement la pression.	Quittez l'essai en cours et contactez un centre d'entretien Robinair agréé pour plus d'informations.

Dépannage

Affichage	Cause	Solution
TP CSI HORS LIMITES	Le détecteur de température de la cuve de stockage interne ne détecte pas correctement la température.	Quittez l'essai en cours et contactez un centre d'entretien Robinair agréé pour plus d'informations.
CAPTR PRESS CB HORS LIMITES	Le détecteur de pression du côté bas ne détecte pas correctement la pression.	Quittez l'essai en cours et contactez un centre d'entretien Robinair agréé pour plus d'informations.
ÉCHEC COMM CARTE ALIM	Échec de la communication avec la carte de relais.	Éteignez, puis rallumez la machine. Si le problème persiste, contactez un centre d'entretien Robinair agréé pour de plus amples renseignements.
ÉCHEC ESS ÉTANCH PRESS. VÉRIF PRÉS FUITES.	Une fuite dans le système de climatisation du véhicule.	Quittez l'essai en cours et procédez aux réparations du système de climatisation du véhicule.
NUMÉRO SÉRIE FILTRE DÉJÀ ÉTÉ UTILISÉ. RESAISIR OU QUITTER?	Le numéro de série du filtre saisi dans la machine est incorrect.	Le filtre a déjà été utilisé sur cette machine. Obtenez un nouveau filtre Robinair N° 34724.
RÉS SOURCE VID.	Le réfrigérant ne peut pas être transféré vers la CSI car le réservoir source est vide.	Quittez l'essai en cours et remplacez le réservoir source.
RÉS PLEIN. ENLEVER DU RÉFRIGÉR AVT CONTINUER	La CSI est trop pleine pour récupérer plus de réfrigérant.	Lancez un processus de charge pour purger le réfrigérant de la CSI avant d'effectuer d'autres tentatives de récupération.
PÉRIODE ESSAI EXPIRÉE, ACTIVER UNITÉ POUR POURSUIVRE. ACTIVER MAINTENANT?	Si la machine n'est pas enregistrée et activée dans les 30 jours suivant le démarrage initial, elle se bloquera et ne fonctionnera plus.	Sélectionnez ✓ et consultez la section Activation de la station de ce manuel pour enregistrer la machine.
ÉCHEC TST VID. VÉRIF PRÉS FUIT SYS	Une fuite dans le système de climatisation du véhicule.	Quittez l'essai en cours et procédez aux réparations du système de climatisation du véhicule.

Stockage et transport de l'équipement

Entreposage

Ne laissez jamais la machine sous tension si une utilisation immédiate n'est pas prévue.

1. Déconnectez la machine de sa source d'alimentation.
2. Faites passer deux fois les tuyaux de service autour de la poignée et attachez-les aux ports de stockage. Reportez-vous à la Figure 12.
3. Entrez la machine dans un lieu sec, stable et loin de potentielles flammes et surfaces chaudes. La température de la zone de stockage doit se situer entre -18 °C et 60°C (0 °F et 140°F).
4. Bloquez les roues avant.

Transport de l'équipement

 **AVERTISSEMENT** : pour éviter toute blessure, si la machine nécessite d'être transportée vers un centre de service Robinair, observez les réglementations du gouvernement local concernant le transport d'équipement contenant du R-134a.

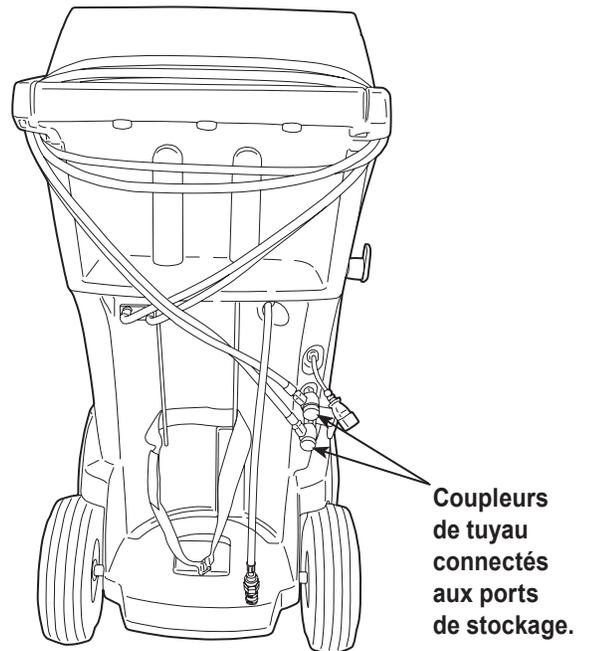


Figure 12

Mise au rebut de l'équipement



À la fin de son cycle d'utilisation, éliminez la machine au R-134a conformément aux réglementations gouvernementales actuelles.

- L'administration publique et les fabricants d'équipements électriques/électroniques (EEE) facilitent les processus de réutilisation et de récupération des déchets électriques/électroniques par l'organisation de collectes et de programmes de planification appropriés.
- Ne mettez pas au rebut ces équipements avec les déchets municipaux. Vous devez organiser leur collecte séparée. La mise au rebut non autorisée des déchets d'équipements électroniques et électriques est punie par la loi par le biais de peines appropriées.
- La réutilisation et le recyclage corrects des équipements électroniques et électriques (EEE) sont nécessaires à la protection de l'environnement et au bien-être de l'humanité.

Mise au rebut des matériaux recyclés

Il incombe à l'utilisateur de repérer les substances dangereuses au moment de la mise au rebut des différents éléments. L'utilisateur doit se conformer aux lois et aux réglementations en vigueur.

1. Livrez le réfrigérant récupéré dans les systèmes de climatisation à des fournisseurs de gaz pour qu'il soit recyclé ou mis au rebut.
2. Livrez les lubrifiants extraits des systèmes de climatisation aux centres de collecte d'huile usagée.
3. Consultez les lois en vigueur dans votre région afin de déterminer les procédures de mise au rebut appropriées pour l'huile de la pompe.

Mise au rebut de la machine

1. Détachez et purgez le gaz du circuit de la machine. Videz complètement le réservoir du réfrigérant conformément aux réglementations gouvernementales actuelles.
2. Apportez la machine dans un centre de mise au rebut agréé.

Mise au rebut des batteries



À la fin de leur durée d'utilisation, mettez au rebut les batteries conformément aux réglementations gouvernementales actuelles. Les batteries doivent être recyclées ou mises au rebut correctement. Ne jetez pas les batteries avec les ordures ménagères habituelles.



AVERTISSEMENT : pour éviter les blessures, ne jetez pas les batteries dans des flammes nues.

Notes relatives à la licence du logiciel

NOTES RELATIVES À LA LICENCE DU LOGICIEL BOSCH AUTOMOTIVE SERVICE SOLUTIONS

Copyright © 2014 Robert Bosch GmbH. Tous droits réservés.

Bosch Automotive Service Solutions
28635 Mound Road
Warren
MI 48092
États-Unis

Numéros de téléphone
États-Unis + 1 800-533-6127
EMEA + 49 (0) 6182 959-225

Ce logiciel Bosch Automotive Service Solutions est conforme à la licence du logiciel présentée au moment de l'activation du produit.

Tous les autres noms de produits ou de services appartiennent à leurs propriétaires respectifs.

Les marques commerciales déposées appartiennent à leurs sociétés respectives et sont approuvées par la présente.

Les notes suivantes font partie de la licence du logiciel Bosch Automotive Service Solutions :

1. Ce produit contient des bibliothèques standards IAR. Le Contrat de licence pour le logiciel IAR est présenté ci-après et disponible à l'adresse http://www.iar.com/Global/Products/Software_licenses/SLA_February_2013.pdf.

La bibliothèque standard IAR comprend un logiciel tiers tel que déclaré dans le document sur les licences logicielles tierces présenté ci-dessous et accessible à l'adresse

http://www.iar.com/Global/Products/Software_licenses/3rdpartyLicenses.html

2. Ce produit comprend LibTomCrypt, une boîte à outils cryptographique assez complète, modulaire et portable, qui fournit aux développeurs un grand éventail de chiffrements par blocs connus et publiés, des fonctions de hachage à sens unique, des modes d'enchaînement des blocs, des générateurs de chiffres pseudo-aléatoires, des algorithmes à clé publique et une multitude d'autres routines. <http://www.libtom.org>. LibTomCrypt relève du domaine public. Comme devrait l'être tout logiciel de qualité. Tom St Denis

3. Ce produit comprend le logiciel Freescale en tant que partie du paquet de support de plateforme (Board Support Package ou BSP) du microcontrôleur Freescale. Reportez-vous au Contrat de licence de Freescale Semiconductor pour les conditions d'utilisation présentées ci-dessous et accessibles à l'adresse

https://www.freescale.com/webapp/sps/download/license.jsp?colCode=DL-MQX-CX&prodCode=MQX&appType=-file2&location=null&DOWNLOAD_ID=null&fsrch=1&sr=1&pageNum=1&Parent_nodId=&Parent_pageType

Contrat de licence logicielle IAR

Concernant les produits : IAR Embedded Workbench® et visualSTATE® de IAR Systems AB

PRÉAMBULE

CE CONTRAT DE LICENCE (« LE CONTRAT ») S'APPLIQUE AUX PRODUITS SOUS LICENCE QUI SONT FOURNIS À L'UTILISATEUR (LE « TITULAIRE DE LA LICENCE ») PAR IAR SYSTEMS AB, Y COMPRIS SES FILIALES (« IAR SYSTEMS ») OU SES DISTRIBUTEURS (« DISTRIBUTEURS IAR »).

La confirmation de commande de IAR Systems, ou si applicable, le Contrat entre IAR Systems et le Titulaire de la licence, précise, mis à part le produit sous licence et les frais de licence (qui seront aussi indiqués sur la facture) si a) si la licence en question est une licence fixe ou une licence pour utilisateurs multiples, b) en cas de licence pour des utilisateurs multiples, celle-ci sera fournie avec le nombre autorisé d'utilisateurs en simultané, c) si la licence inclut un abonnement d'entretien et de mise à jour limité dans le temps et dans ce cas, la date limite d'un tel service. Toute ouverture de progiciel dans lequel ces termes ont été précisés ou mentionnés, et toute utilisation du logiciel IAR Systems sont soumises à ces conditions générales.

VOUS, EN TANT QU'UTILISATEUR DES PRODUITS SOUS LICENCE MENTIONNÉS CI-DESSUS AINSI QUE SUR LA FACTURE, LIEZ LA SOCIÉTÉ OU ORGANISATION ÉGALEMENT MENTIONNÉE SUR LA FACTURE DE CE CONTRAT, EN OUVRANT UN PROGICIEL OU EN INSTALLANT UN LOGICIEL DANS LESQUELS CET ACCORD A ÉTÉ PRÉCISÉ OU MENTIONNÉ. SI VOUS N'ÊTES PAS D'ACCORD AVEC LES CONDITIONS MENTIONNÉES DANS LE PRÉSENT DOCUMENT, OU SI VOUS N'AVEZ PAS LE POUVOIR DE LIER VOTRE SOCIÉTÉ OU ORGANISATION À CES CONDITIONS, VOUS DEVEZ IMMÉDIATEMENT COMMUNIQUER AVEC IAR SYSTEMS ET NE POUVEZ NI INSTALLER DE LOGICIEL NI UTILISER LES PRODUITS QUELS QU'ILS SOIENT.

1. DÉFINITIONS

Les termes suivants ont la signification qui leur est donnée ci-dessous chaque fois qu'ils sont utilisés dans ce Contrat :

1.1 « **Logiciel exécutable** » est une copie de la version de code exécutable du ou des programme(s) du logiciel inclus dans le progiciel ci-joint ou autrement spécifié dans ce Contrat ou cette facture (y compris tout module d'exécution et d'édition de liens), avec des modèles et autres instructions, et toutes mises à jour logicielles, révisions, ainsi que tous modules et modèles additionnels (si disponibles) que le Titulaire de la licence peut recevoir de temps en temps de la part de IAR Systems aux termes des présentes.

1.2 « **Code source du logiciel** » s'entend au sens de la section 3.7.

1.3 « **Logiciel** » est un terme collectif pour logiciel exécutable et code source du logiciel, comme définis ci-dessus.

1.4 « **Documentation** » représente un exemplaire de la documentation, telle que fournie par IAR Systems avec le logiciel à l'usage du Titulaire de la licence.

1.5 « **Produit** » représente le logiciel et la documentation que détient le Titulaire de la licence sous les conditions de ce Contrat.

1.6 « **Facture** » est la facture de IAR Systems ou du distributeur IAR destinée au titulaire de la licence pour la licence du produit attribuée aux termes des présentes.

1.7 « **Licence PC fixe** » s'entend au sens de la section 3.2.

1.8 « **Licence mobile** » s'entend au sens de la section 3.3.

1.9 « **Licence pour utilisateurs multiples** » s'entend au sens de la section 3.4.

1.10 « **Licence réseau** » s'entend au sens de la section 3.5.

1.11 « **Licence de réseau mondial** » s'entend au sens de la section 3.6.

1.12 « **Utilisateurs actuels** » s'entendent au sens de la section 3.7.

1.13 « **Licence de réseau temporaire** » s'entend au sens de la section 3.8.

1.14 « **Licence d'évaluation** » s'entend au sens de la section 3.12.

1.15 « **Emplacement** » représente les locaux physiques du Titulaire de la licence dans à l'intérieur d'une ville.

1.16 « **Architecture cible** » signifie la famille ou le groupe d'appareils avec microprocesseurs ou microcontrôleurs intégrés appartenant à une architecture de processeur comme définie par son jeu d'instructions et comme spécifiée sur la facture.

1.17 « **Abonnement de maintenance et de mise à jour** » s'entend au sens des services tels qu'ils sont définis dans la section 12.

2. DURÉE DU CONTRAT

2.1 Ce Contrat entre en vigueur au plus tard à la réception du logiciel par le Titulaire de la licence et demeure en vigueur pour une durée indéfinie, sous réserve des modalités et conditions énoncées ci-dessous – en particulier le droit dont dispose IAR Systems pour résilier le Contrat en cas de manquement du Titulaire de la licence. L'enregistrement du Titulaire de la licence en tant qu'utilisateur légitime des produits sous licence est effectué conformément aux instructions applicables de IAR Systems.

2.2 Pour éviter toute confusion : pour les logiciels livrés avec une clé de licence temporaire (appelée clé de démarrage rapide pour certains produits) qui permet une utilisation à durée limitée, les conditions du Contrat prennent effet, y compris, mais sans s'y limiter, aux conditions de paiement et aux restrictions d'usage dès la réception du logiciel par le Titulaire de la licence, que l'enregistrement ait été effectué ou non. (Les licences d'évaluation, sans obligation de payer des frais de licence, sont disponibles suivant les conditions fournies séparément par IAR Systems.)

3. PROPRIÉTÉ ET CONCESSION DE LICENCE

3.1 IAR Systems détient les droits d'auteur, les secrets commerciaux et tout autre droit de propriété intellectuelle qui subsiste en rapport au produit sous licence et toutes les copies de celui-ci. Aucun titre ou autres droits en rapport au produit sous licence (autre que les droits attribués par la présente) ne doivent revenir au Titulaire de la licence.

LE PRODUIT EST SOUS LICENCE ET NON VENDU AU TITULAIRE DE LA LICENCE POUR UNE UTILISATION UNIQUEMENT SOUS LES CONDITIONS DE CE CONTRAT. LE TITULAIRE DE LA LICENCE RECONNAIT QUE LE PRODUIT SE COMPOSE DE PRODUITS EXCLUSIFS NON PUBLIÉS DE IAR SYSTEMS, PROTÉGÉS PAR LE DROIT D'AUTEUR INTERNATIONAL ET PAR LES LOIS SUR LES SECRETS COMMERCIAUX.

3.2 **Licence PC fixe** : Dans la mesure où la licence est attribuée à un PC fixe, les conditions stipulées dans les sections 3.2.a et 3.2.b doivent être appliquées.

Une licence fixe est une licence mono-utilisateur liée à l'ordinateur sur lequel le logiciel est installé.

3.2.a Sous réserve des termes et des conditions du présent Contrat, IAR Systems concède une licence fixe personnelle, non transférable et non exclusive au Titulaire de la licence pour l'utilisation du logiciel. Le nombre d'utilisateurs autorisés du logiciel sous la licence fixe, s'il y en a plus d'un, est stipulé sur la facture ou sur tout autre document écrit de IAR Systems.

3.2.b La licence fixe ne peut être utilisée par le Titulaire de la licence que sur un seul ordinateur autonome (de bureau ou portable), désigné par son adresse IP ou d'autres moyens d'identification. Un changement vers un autre ordinateur personnel peut être autorisé avec transfert de la licence par le biais d'un programme de transfert fourni par IAR Systems dans le cadre du système de gestion des licences. Le logiciel ne peut pas être consulté par les utilisateurs d'autres unités informatiques que celle désignée par le présent paragraphe, que ce soit à travers un modem, Internet, ou tout autre réseau ou accès à distance.

3.3 **Licence mobile** : Dans la mesure où la licence attribuée est une licence mobile, les conditions stipulées dans les sections 3.3.a et 3.3.b doivent être appliquées.

Une licence mobile est fournie avec une clé électronique (dongle). Une clé électronique est un dispositif qui se branche sur l'un des ports externes de l'ordinateur et qui permet au Titulaire de la licence de transférer la licence vers un autre ordinateur. Une clé électronique fait partie du progiciel seulement si elle est commandée explicitement.

3.3.a Sous réserve des termes et des conditions du présent Contrat, IAR Systems concède une licence personnelle mobile non transférable et non exclusive au Titulaire de la licence pour l'utilisation du logiciel. Le nombre d'utilisateurs autorisés du logiciel sous la licence mobile, s'il y en a plus d'un, est stipulé sur la facture ou sur tout autre document écrit de IAR Systems.

3.3.b La licence mobile peut être utilisée par le Titulaire de la licence, pour un seul utilisateur, mais avec un droit de transfert de la licence de l'ordinateur désigné vers un autre ordinateur unique à l'aide d'une clé électronique. Le logiciel ne peut pas être consulté par les utilisateurs d'autres unités informatiques que celle désignée par le présent paragraphe, que ce soit à travers un modem, Internet, ou tout autre réseau ou accès à distance.

3.4 **Licence à utilisateurs multiples** : Dans la mesure où la licence attribuée est une licence à utilisateurs multiples, les conditions stipulées dans la section 3.4 doivent être appliquées.

Sous réserve des termes et des conditions du présent Contrat, IAR Systems concède une licence personnelle, non transférable et non exclusive à utilisateurs multiples au Titulaire de la licence pour l'utilisation du logiciel. Le nombre d'utilisateurs autorisés du logiciel sous la licence à plusieurs utilisateurs, s'il y en a plus d'un, est stipulé sur la facture ou sur tout autre document écrit de IAR Systems.

3.5 Une licence réseau est une licence à utilisateurs multiples située sur un serveur de licences désigné unique et utilisée par plusieurs utilisateurs sur un réseau et sur un seul site. La licence réseau est verrouillée à l'ordinateur sur lequel le logiciel du serveur de licences est utilisé ou à une clé électronique (dongle). L'utilisation d'une clé électronique permet de transférer la licence réseau vers un autre ordinateur serveur, en cas de défaillance du serveur. La licence réseau peut être utilisée sur tous les ordinateurs clients du réseau où le logiciel est installé. Cependant, la licence réseau est faite pour un nombre maximum d'utilisateurs simultanés.

3.6 **Une licence de réseau mondial** est une licence à plusieurs utilisateurs située sur un serveur de licences et utilisée par plusieurs utilisateurs sur un réseau accessible à partir de plusieurs sites dans le monde. La licence de réseau mondial est verrouillée à l'ordinateur sur lequel le logiciel du serveur de licences est utilisé ou à une clé électronique (dongle). L'utilisation d'une clé électronique permet de transférer la licence de réseau mondial vers un autre ordinateur serveur, en cas de défaillance du serveur. La licence de réseau mondial peut être utilisée sur tous les ordinateurs clients du réseau où le logiciel est installé. Cependant, la licence de réseau mondial est faite pour un nombre maximum d'utilisateurs simultanés.

3.7 **Utilisateurs simultanés** : Pour les produits comme les logiciels exécutables et sous licences réseau, la définition de la simultanéité est donnée par le logiciel du serveur de licences, qui calcule également le nombre d'utilisateurs actuels. Une session d'utilisateur d'un logiciel exécutable dure toujours 30 minutes au minimum et est supposée durer 30 minutes de plus après la dernière activation de la licence par le serveur de licences. Pour les produits contenant des codes sources du logiciel, le logiciel doit être considéré comme en utilisation (simultanée) sur un ordinateur lorsqu'il est chargé dans la mémoire temporaire (RAM) ou installé dans la mémoire permanente (p. ex. disque dur, CD-ROM, ou autre matériel de stockage) de cet ordinateur.

Contrat de licence logicielle IAR

3.8 Licence de réseau temporaire : Pour les produits publiés en 2012 et au-delà qui comprennent un nouveau système de gestion de licences (LMS), une licence de réseau temporaire est attribuée. La licence de réseau temporaire permet d'utiliser une licence réseau sur un ordinateur personnel qui n'est pas connecté au réseau pour un maximum de 15 jours. La licence de réseau temporaire permet d'utiliser le produit à l'extérieur du site désigné.

3.9 Licence de code source : Si le Titulaire de la licence reçoit, aux termes des présentes, des modules de logiciel ou de composants en format de code source (« Code source du logiciel »), les conditions suivantes sont applicables à ce code source du logiciel, en plus de toutes les dispositions de ce Contrat :

Le Titulaire de la licence peut utiliser un tel code source du logiciel seulement conjointement avec le produit et le code source du logiciel ou tout autre produit dérivé de celui-ci. Le code source du logiciel ne peut être compilé et lié qu'avec des produits IAR Systems et seulement conformément aux dispositions relatives à une telle utilisation énoncées dans la documentation et/ou dans ce Contrat. Il est strictement interdit au Titulaire de la licence de faire toute autre utilisation du code source du logiciel. Toute violation de cette section 3.9 doit être considérée comme une violation substantielle du présent Contrat.

LE TITULAIRE DE LA LICENCE RECONNAÎT QUE LE CODE SOURCE DU LOGICIEL INTÈGRE DES RENSEIGNEMENTS PROTÉGÉS PAR LES DROITS D'AUTEUR ET DE PROPRIÉTÉ DE IAR SYSTEMS ET QUE LE FAIT DE RENDRE LE CODE SOURCE DU LOGICIEL ACCESSIBLE À D'AUTRES EN DEHORS DES LIMITES DE CE CONTRAT, SUIVANT LA NATURE DU CODE SOURCE, NUIT SÉVÈREMENT AUX DROITS DE PROPRIÉTÉ INTELLECTUELLE DE IAR SYSTEMS, ET ACCEPTE DE DÉDOMMAGER IAR SYSTEMS POUR TOUT DOMMAGE RÉSULTANT DE TELLE INFRACTION, QUI PEUT ÊTRE RAISONNABLEMENT CORROBORÉ PAR IAR.

Le Titulaire de la licence doit conserver et protéger le code source du logiciel comme si c'était son propre code source propriétaire, comme mentionné plus loin dans la section 5.

3.10 Si le produit, que le Titulaire de la licence reçoit aux termes des présentes, contient un logiciel tiers, l'utilisation d'un tel logiciel tiers peut être restreint à une architecture cible spécifique. Voir Section 11.2 ci-dessous.

3.11 Copies de sauvegarde : Le Titulaire de la licence est autorisé à faire des copies de sauvegarde du logiciel sous forme de code exécutable, à utiliser uniquement dans le cas où la copie fournie par IAR Systems ne fonctionne pas, est perdue, endommagée ou détruite. Le Titulaire de la licence garantit qu'il ne fera aucune autre copie du logiciel et qu'il ne donnera pas de permission, ni d'autorisation, ni d'assistance, ni d'autres personnes pour copier tout ou partie du logiciel sous quelque forme que ce soit sans avoir eu l'accord écrit préalable de IAR Systems. Le Titulaire de la licence ne peut avoir plus de copies que nécessaire pour un ensemble raisonnable de cycle de sauvegarde. Le Titulaire de la licence peut garder les copies de sauvegarde dans un coffre à la banque ou un autre endroit sûr qu'il utilise d'habitude pour ranger ses sauvegardes de programme informatique. Les droits du Titulaire de la licence en vertu de cette section ne doivent, en aucun cas, inclure des mesures qui affectent ou diminuent la fonction de protection des logiciels inclus dans le logiciel.

3.12 Une licence d'évaluation est uniquement destinée à des fins de test et d'évaluation. Toute autre utilisation dépassant le cadre de tests et d'évaluations est interdite. IAR Systems n'a aucune obligation de fournir une garantie et une assistance ou des services connexes. IAR SYSTEMS NE PEUT, EN AUCUN CAS, ÊTRE TENU RESPONSABLE DES DOMMAGES DIRECTS, INDIRECTS, ACCIDENTELS, SPÉCIAUX, CONSÉQUENTS, PUNITIFS, DÉLICTELS QUELS QU'ILS SOIENT, INCLUANT MAIS NE SE LIMITANT PAS AUX PROFITS PERDUS EN RAPPORT À OU PROVENANT DE L'UTILISATION OU DE LA PERFORMANCE DU LOGICIEL, DE DOCUMENTS D'AIDE OU DE LA FOURNITURE DE SERVICES, MÊME SI L'AUTRE PARTIE A ÉTÉ AVISÉE DE L'ÉVENTUALITÉ DE TELS DOMMAGES.

La section 11 du présent Contrat de licence logicielle peut aussi s'appliquer à une licence d'évaluation.

4. RESTRICTIONS RELATIVES À LA LICENCE

4.1 Le Titulaire de la licence ne peut pas supprimer, faire l'émulation, faire de l'ingénierie inverse, décompiler ou désassembler le logiciel exécutable. Il n'est pas permis au Titulaire de la licence de dériver le code source ou d'assemblage des documents fournis aux formats exécutables ou exploitables. Le Titulaire de la licence accepte que tous les renseignements sur le logiciel sont la propriété intellectuelle de valeur de IAR Systems et qu'en tant que tels, ils doivent être traités de manière confidentielle, comme décrit à l'article 5. Le Titulaire de la licence garantit qu'il ne vendra, n'autorisera, ne louera, ne prêtera, ne transmettra, ne distribuera pas en réseau, ne communiquera, ne distribuera ni ne transférera le logiciel de quelque manière que ce soit à une tierce personne, que ce soit d'une manière temporaire ou permanente, sauf sous les conditions stipulées dans ce Contrat. En outre, le Titulaire de la licence garantit qu'il n'utilisera ni ne permettra l'utilisation (y compris, sans limitation, en temps partagé ou en utilisation sur réseau) du logiciel au profit d'entités autres que le Titulaire de la licence; ou dans une entreprise de services informatiques, il ne fera pas de copies de la documentation sans autorisation; il ne fera pas de traductions verbales ou médiatiques de la documentation; il n'effectuera pas de transmissions de données de télécommunications du logiciel; il n'utilisera pas de passerelle à long terme sur les unités centrales sur lesquelles le logiciel est utilisé. Il est également expressément interdit au Titulaire de la licence d'adapter, modifier, réviser, améliorer, actualiser, ajouter de la valeur et créer des produits dérivés du logiciel exécutable à toutes fins, y compris la correction d'erreur ou tout autre type d'entretien.

4.2 Le Titulaire de la licence doit tenir des registres des utilisations qu'il fait du logiciel. Le Titulaire de la licence doit rendre ces notes disponibles à IAR Systems ou à une tierce partie neutre dans un délai raisonnable, comme convenu

entre les parties. En cas de vérification par une tierce partie neutre, IAR Systems et le Titulaire de la licence doivent nommer mutuellement un vérificateur, en toute bonne foi. Si un tel Contrat ne peut être conclu dans les 60 jours après la notification de IAR Systems, les parties acceptent de donner à Business Software Alliance la responsabilité d'une telle vérification ou du choix du vérificateur. Le Titulaire de la licence permettra à IAR Systems ou à un tiers, selon le cas, d'avoir accès aux sauvegardes et systèmes informatiques du Titulaire de la licence et d'utiliser les outils de vérification de logiciels sur les systèmes du Titulaire de la licence pour vérifier que celui-ci utilise le logiciel conformément aux conditions applicables de la licence. À la demande du Titulaire de la licence, la partie qui exécute la vérification auprès du Titulaire de la licence doit signer un accord de non-divulgence avec le Titulaire de la licence pour protéger la propriété du Titulaire de la licence et/ou ses renseignements confidentiels. Les renseignements obtenus et/ou communiqués à IAR Systems dans le cadre de la vérification, comme décrite dans la présente, doivent être limités aux renseignements sur l'utilisation du logiciel par le Titulaire de la licence conformément aux conditions applicables de la licence ou à preuve du contraire.

4.3 Sous réserve des autres conditions ci-incluses, et en étant entièrement responsable de toutes les actions ou omissions d'un tel consultant, le Titulaire de la licence peut autoriser un consultant à utiliser le logiciel uniquement dans le cadre professionnel au nom du Titulaire de la licence et dans le but autorisé et à condition que le logiciel ne soit pas utilisé à d'autres fins ou par un tiers.

4.4 À chaque manquement du Titulaire de la licence aux termes des présentes, une pénalité contractuelle d'un montant de 200 % pour les violations en vertu des sections 3.2, 3.3, 3.4, 3.5, 3.6, 3.11, 4.1 ou 4.3 et de 1 000 % pour les violations en vertu de la section 3.8 sur les frais de licence applicables par rapport à la facture correspondante doit être payée à IAR Systems par le Titulaire de la licence. Au cas où la somme des dommages réels subis par IAR Systems en raison de la violation est supérieure à ce montant, le solde doit être payé par le Titulaire de la licence. Voir aussi Section 3.8.

5. CONFIDENTIALITÉ

5.1 Le Titulaire de la licence accepte que tout le matériel et les informations relatives au logiciel soient disponibles pour un usage exclusivement dans le cadre et conformément au présent Contrat. À tout moment, que ce soit pendant ou après l'annulation ou la résiliation de ce Contrat, il est interdit au Titulaire de la licence de divulguer ces documents et/ou informations relatives au logiciel, que ce soit directement ou indirectement, à un tiers sans l'accord préalable par écrit de IAR Systems. Le Titulaire de la licence est tenu d'exonérer IAR Systems de toute responsabilité relativement aux pertes, coûts, dommages et dépenses émanant de ou en rapport avec l'incapacité du Titulaire de la licence de se conformer aux exigences du présent article 5. Le Titulaire de la licence a des obligations de confidentialité en vertu des présentes et il doit les honorer même après l'annulation ou la résiliation de ce Contrat pour quelque raison que ce soit.

6. MODALITÉS ET CONDITIONS DE PAIEMENT

6.1 En contrepartie des droits accordés et des services rendus par IAR Systems aux termes de ce Contrat, le Titulaire de la licence doit payer les frais de licence pour le logiciel comme indiqué sur la facture. Les paiements doivent être effectués selon l'échéancier indiqué dans la facture, ou dans le cas contraire, les factures sont payables dans les 30 jours suivant leur date d'émission.

6.2 Si le Titulaire de la licence ne parvient pas à effectuer le paiement dans les délais prescrits, IAR Systems ou les distributeurs IAR doivent être autorisés à : a) prélever des frais d'intérêt après la date d'échéance, suivant le taux indiqué dans la facture, ou dans le cas contraire, suivant le taux de référence établi par la banque centrale de Suède (Riksbank) +8 %; b) reporter l'exécution de leurs propres obligations jusqu'à ce que le paiement soit effectué; et/ou c) résilier le Contrat par notification écrite au Titulaire de la licence et recouvrer un dédommagement pour toutes les pertes encourues auprès de ce dernier.

6.3 Tous les prix sont hors frais et taxes, et le Titulaire de la licence est responsable de tous les frais et taxes, y compris les droits de douane, les frais d'importation, la vente, l'utilisation, les retenues fiscales, le revenu brut, et les taxes similaires, dus et frais estimés ou facturés en rapport avec la fourniture de biens et de services dans le cadre du présent Contrat.

7. GARANTIE LIMITÉE

7.1 IAR Systems garantit que le support sur lequel le logiciel est enregistré sera livré au Titulaire de la licence libre de tout défaut de matériel et de main-d'œuvre en utilisation normale pour une période de quatre-vingt-dix (90) jours à partir de la date de livraison au Titulaire de la licence. Au cours de cette période de garantie, IAR Systems, après réception du support, peut, à sa discrétion, décider de réparer ou de remplacer gratuitement le support défectueux sur lequel le logiciel a été fourni et d'enregistrer une copie du logiciel sur le support réparé ou sur un support de remplacement. Ladite réparation ou ledit remplacement doit être le recours ultime du Titulaire de la licence sous la garantie du support. Nonobstant ce qui précède, IAR Systems ne peut être tenu responsable de la réparation ou du remplacement d'un support, qui, d'après IAR Systems, a été endommagé par le Titulaire de la licence par accident, par mauvais traitement ou par tentative infructueuse de maintenance.

7.2 IAR Systems ne garantit pas que le logiciel réponde aux exigences du Titulaire de la licence ou que le fonctionnement du logiciel sera ininterrompu et sans erreur. Le Titulaire de la licence est seul responsable des résultats attendus du logiciel ou des résultats réellement obtenus.

7.3 La garantie ci-dessus ne concerne pas les conditions résultant d'une mauvaise utilisation, les causes externes, y compris le service ou les modifications qui n'ont pas été effectués par IAR Systems ou un contractuel nommé par IAR Systems, ou le fonctionnement en dehors des paramètres spécifiés du milieu environnant. IAR Systems ne sera pas tenu responsable du fonctionnement du logiciel en dehors de l'équipement hôte spécifié dans la facture et

Contrat de licence logicielle IAR

conjointement avec l'environnement d'exploitation spécifié pour chaque version du logiciel. Des écarts mineurs de la garantie ci-dessus, qui seraient de peu d'importance par rapport à l'utilisation prévue du logiciel et qui ne causent pas plus de désagrément mineur pour le Titulaire de la licence, ne doivent pas être considérés comme une violation de la garantie explicitée ci-dessus.

7.4 LA GARANTIE CI-DESSUS EST LA SEULE GARANTIE IAR SYSTEMS EXISTANTE POUR CE LOGICIEL ET POUR CE CONTRAT. DE PLUS, SOUS RÉSERVE DES DISPOSITIONS PRÉVUES DANS CE CONTRAT, AUCUNE AUTRE GARANTIE OU CONDITION EXPRESSE OU IMPLICITE N'EST APPLICABLE, ET LE TITULAIRE DE LA LICENCE NE FERA AUCUNE AUTRE RÉCLAMATION IMPUTABLE À LA PERFORMANCE OU L'ABSENCE DE PERFORMANCE DU LOGICIEL. IAR SYSTEMS EXCLUT EXPRESSÉMENT TOUTE AUTRE GARANTIE, REPRÉSENTATION OU TOUT AUTRE ENGAGEMENT, EXPRESS, IMPLICITE OU STATUTAIRE, INCLUANT, MAIS SANS S'Y LIMITER À TOUTE GARANTIE IMPLICITE DE QUALITÉ MARCHANDE OU D'ADAPTATION À UN USAGE PARTICULIER, DE CAPACITÉ À ATTEINDRE UN RÉSULTAT PARTICULIER OU DE TOUTE AUTRE OBLIGATION DE GARANTIE DE LA PART DE IAR SYSTEMS.

7.5 IAR Systems décline expressément toute responsabilité pour tout matériel informatique ou toute solution logicielle incluant, sans s'y limiter, les configurations réseau, qui pourraient avoir une influence sur le fonctionnement du logiciel.

7.6 Les dispositions de l'article 7 survivront l'annulation ou la résiliation de ce Contrat.

8. VIOLATION DE LA PROPRIÉTÉ INTELLECTUELLE

8.1 IAR Systems intentera une action en justice contre le Titulaire de la licence comme stipulé dans la section 8.2 et sous réserve de toutes les limitations qui y sont mentionnées, pour toute allégation que le logiciel, tel qu'il existe à la date de la facture, viole un brevet ou des droits d'auteur dûment publiés d'après les lois du pays dans lequel IAR Systems ou le Titulaire de la licence se trouvent.

8.2 IAR Systems doit, de la manière indiquée ci-dessous, en tant que seule solution, traiter une demande de réclamation d'un tiers alléguant que le logiciel porte atteinte à des droits de propriété intellectuelle de cette partie, à condition que IAR Systems soit prévenu à temps d'une telle réclamation et reçoive des informations, une aide raisonnable et l'autorité exclusive pour défendre ou régler la réclamation. IAR Systems peut décider, à sa discrétion, d'obtenir le droit pour le Titulaire de la licence de continuer à utiliser le produit IAR qui enfreint la loi, de le remplacer ou de le modifier jusqu'à ce qu'il soit conforme à la loi en vigueur. Si son remplacement ou sa modification n'est pas raisonnablement disponible, IAR Systems peut résilier le présent Contrat et rembourser les frais payés par le Titulaire de la licence à IAR Systems pour le produit IAR concerné.

8.3 IAR Systems ne doit pas être tenu responsable si la présumée infraction provient d'une utilisation non autorisée du logiciel, après livraison, de modifications non effectuées par IAR Systems, ou de la combinaison avec d'autres produits ou appareils non fournis par IAR Systems. **LES OBLIGATIONS STIPULÉES DANS LA PRÉSENTE SECTION REPRÉSENTENT LES SEULES RESPONSABILITÉS DE IAR SYSTEMS ET LE RECOURS UNIQUE POUR LE TITULAIRE DE LA LICENCE CONTRE LES VIOLATIONS DE BREVETS OU DE DROITS D'AUTEUR. POUR ÉCARTER TOUTE CONFUSION : LA RESPONSABILITÉ DE IAR SYSTEMS EN VERTU DE LA SECTION 8 NE DOIT PAS EXCÉDER LES FRAIS DE LICENCE PAYÉS PAR LE TITULAIRE DE LA LICENCE.**

9. FORCE MAJEURE

9.1 Les parties ne sont pas tenues de remplir les obligations de ce Contrat si leurs actions sont bloquées ou retardées par un conflit du travail ou toute autre cause hors de leur contrôle, incluant, mais ne se limitant pas à des émeutes, inondations, guerres, hostilités guerrières, incendies, embargo, manque de main-d'œuvre, d'électricité, de carburant, de moyens de transport, ou manque ordinaire d'autres produits de première nécessité. Une partie qui entend demander réparation en vertu du présent article doit informer l'autre partie sans délai, par écrit, de l'intervention et de la cessation d'une telle circonstance.

10. LIMITATION DE RESPONSABILITÉ

10.1 L'UTILISATION DU LOGICIEL ET TOUTES LES CONSÉQUENCES EN RÉSULTANT SONT LES SEULES RESPONSABILITÉS DU TITULAIRE DE LA LICENCE. IAR SYSTEMS NE PEUT ÊTRE TENU RESPONSABLE ENVERS LE TITULAIRE DE LA LICENCE DE TOUTE PERTE OU DOMMAGE OCCASIONNÉS DIRECTEMENT OU INDIRECTEMENT PAR LE LOGICIEL, L'UTILISATION DU LOGICIEL OU AUTRE.

10.2 LA RESPONSABILITÉ DE IAR SYSTEMS ENVERS LE TITULAIRE DE LA LICENCE EN VERTU DE CE CONTRAT DOIT ÊTRE LIMITÉE À CINQUANTE (50) POUR CENT DES FRAIS DE LICENCE POUR LE LOGICIEL, PAYÉS PAR LE TITULAIRE DE LA LICENCE AUX TERMES DES PRÉSENTES, SOUS RÉSERVE QUE, SI LES CONDITIONS STIPULÉES DANS LA SECTION 8 S'APPLIQUENT, LA RESPONSABILITÉ TOTALE DE IAR SYSTEMS AUX TERMES DES PRÉSENTES NE DOIT PAS DÉPASSER 100 % DES FRAIS DE LICENCE PAYÉS PAR LE TITULAIRE DE LA LICENCE POUR UN TEL LOGICIEL.

10.3 IAR SYSTEMS NE SERA EN AUCUN CAS RESPONSABLE ENVERS LE TITULAIRE DU PRÉSENT CONTRAT POUR DES DOMMAGES PARTICULIERS, INDIRECTS, ACCESSOIRES OU INDIRECTS EN VERTU DE TOUTE DOCTRINE JURIDIQUE, TELLE QUE LA PERTE DE DONNÉES, D'UTILISATION ET/OU DE PROFITS, L'INTERRUPTION DE TRAVAIL OU LES FRAIS DE PÉRIODE D'INACTIVITÉ ET LES DÉPENSES D'INVESTISSEMENT OU DE RÉCLAMATION D'UN TIERS, QUE CE SOIT À CAUSE DE DÉFAUTS, DU FONCTIONNEMENT, DU NON-FONCTIONNEMENT, DE

Contrat de licence logicielle IAR

DÉLAIS, DE DOMMAGES CORPORELS, DE DOMMAGES MATÉRIELS, OU AUTRE, QUE IAR SYSTEMS AIT ÉTÉ PRÉVENU OU NON DE LA POSSIBILITÉ DE TELS DOMMAGES.

10.4 AUCUNE CLAUSE DE CE CONTRAT NE DOIT EXCLURE OU LIMITER LA RESPONSABILITÉ DE IAR SYSTEMS POUR CAUSE DE DÉCÈS OU DOMMAGE CORPOREL RÉSULTANT DE SA NÉGLIGENCE.

10.5 Les dispositions de l'article 10 survivront l'annulation ou la résiliation de ce Contrat.

11. DROITS DE TIERS

11.1 L'IAR Embedded Workbench for Eclipse comprend des outils Eclipse. La licence ne s'applique pas à ces outils Eclipse et ceux-ci ne sont pas inclus dans le terme « logiciel » sous ce Contrat. Vous acceptez de respecter toutes les conditions générales qui vous sont imposées à l'égard de ces outils Eclipse.

11.1.1 Les supports Eclipse sont autorisés en vertu d'Eclipse Public License (EPL), Version 1.0, dont une copie est fournie avec les outils Eclipse. Cette licence est aussi disponible à l'adresse <http://www.opensource.org/licenses/eclipse-1.0.php>.

11.2 Il se peut qu'IAR Embedded Workbench comprenne un logiciel tiers. Le logiciel tiers est également soumis à des conditions générales supplémentaires régissant ce type de logiciel tiers, en sus des conditions de la présente Licence. Ces conditions supplémentaires s'ajoutent à celles de la présente Licence et doivent remplacer toutes conditions incohérentes ou contradictoires de la présente Licence en ce qui concerne le logiciel tiers. Si le produit que le Titulaire de la licence reçoit aux termes des présentes contient un logiciel tiers, le Titulaire de la licence accepte de respecter les conditions générales imposées par le logiciel tiers.

11.2.1 Le logiciel tiers est soumis aux conditions supplémentaires de chaque partie tierce et une copie de ces conditions supplémentaires est disponible à l'adresse <http://www.iar.com/en/products/software-licenses>.

12. CONVENTION DE SOUTIEN ET DE MISE À JOUR (SUPPORT AND UPDATE AGREEMENT OU SUA)

12.1 Excepté ce qui est spécifié dans la section 12.2 et/ou dans la section 7 de ce Contrat, ledit Contrat ne donne aucun droit au Titulaire de la licence d'améliorer, de modifier, d'ajouter ou de mettre à jour le logiciel, ou d'exercer tout autre service d'aide en rapport avec le Logiciel.

12.2 Dans la mesure où la licence attribuée comprend un abonnement de service et de mise à jour limité dans le temps, le Titulaire de la licence est autorisé à utiliser les services définis dans la convention de soutien et de mise à jour (« SUA ») ci-joint. Au cas où la licence attribuée n'inclut pas d'abonnement de service ou de mise à jour, ou au cas où ces services ont expiré, le Titulaire de la licence peut, suivant le type de licence attribuée, prolonger ces services, moyennant des frais supplémentaires.

12.3 L'utilisation d'améliorations, de modifications, d'ajouts ou de mises à jour reçus par le Titulaire de la licence dans le cadre de la convention de soutien et de mise à jour (SUA) ou reçus en vertu de la section 7 du présent Contrat, est régie par les conditions générales contenues dans la présente.

13. RÉSILIATION DU CONTRAT

13.1 IAR Systems a le droit de résilier ce Contrat et la résiliation prend effet immédiatement si le Titulaire de la licence est en violation des conditions stipulées dans le présent Contrat, incluant, mais ne se limitant pas à (a) l'utilisation du logiciel d'une manière autre que celle présentée sous les droits attribués dans l'article 3 et 4, (b) la violation des dispositions de confidentialité de l'article 5, ou (c) l'incapacité du Titulaire de la licence à payer les sommes dues, conformément à l'article 6.

13.2 Ce Contrat prendra fin immédiatement sans préavis si le Titulaire de la licence interrompt ses paiements, fait faillite, devient insolvable, entre en liquidation ou se trouve dans une situation où il peut être considéré comme insolvable.

13.3 Lors de la résiliation de ce Contrat par IAR Systems, comme stipulé dans cet article, IAR Systems a le droit, s'il choisit de le faire, en plus de tous ses autres droits en vertu des présentes et en plus des autres recours s'offrant à IAR Systems en vertu de la Loi, d'exiger par écrit du Titulaire de la licence de rendre ou de détruire toutes les versions du logiciel et sa documentation ainsi que toute documentation s'y rapportant et consignée sur tout support et sous toute forme en possession du Titulaire de la licence. Le Titulaire de la licence devra confirmer par écrit à IAR Systems que tous les supports se rapportant au logiciel et à son fonctionnement ont été rendus à IAR Systems ou détruits. Les dispositions de la section 13.3 survivront l'annulation ou la résiliation de ce Contrat.

14. RÉGLEMENTATIONS SUR LE CONTRÔLE DES EXPORTATIONS

14.1 Le logiciel et sa documentation sont soumis à des réglementations sur l'importation ou l'exportation en vigueur dans différents pays, y compris les réglementations américaines de l'United States Export Administration Act. Par les présentes, le Titulaire de la licence accepte de ne pas (a) exporter ni réexporter en connaissance de cause, que ce soit de manière directe ou indirecte, tout produit ou donnée technique, et tout produit contrôlé soumis à des réglementations nationales en vigueur, y compris les logiciels reçus de IAR Systems en vertu de ce Contrat. Il accepte en outre de ne pas (b) divulguer ces données techniques et de ne pas (c) exporter ni réexporter, de manière directe ou indirecte, tout produit émanant directement de ces données techniques et tout autre produit contrôlé, y compris les logiciels, vers des pays où une telle exportation ou réexportation est restreinte ou interdite par la législation des États-Unis ou par la législation non américaine en vigueur, sans avoir obtenu l'accord préalable écrit de IAR Systems.

15. DIVERS

15.1 Le Contrat ne peut en aucun cas être cédé ni transféré en intégralité ou en partie par une des parties prenantes sans l'accord préalable écrit de l'autre partie. Ce nonobstant, IAR Systems est habilité à céder tout ou partie du présent Contrat à une entreprise du groupe IAR Systems, et IAR Systems est en droit de céder le présent Contrat sans pénalités

Contrat de licence logicielle IAR

et sans porter préjudice aux droits que lui confère cet accord, et sans l'accord écrit préalable du Titulaire de la licence dans l'éventualité d'une fusion, d'une réorganisation similaire ou de la vente d'une grande partie des actifs de IAR Systems.

15.2 Aucune modification et aucun amendement de cet accord ne seront valides à moins d'être effectués par écrit et signés par les parties aux présentes.

15.3 Toute notification et toute communication faites en vertu du présent Contrat devront être effectuées par écrit, à la main, par fax (et confirmées par courrier aérien), ou par courrier aérien postal rapide prépayé certifié ou recommandé adressé aux parties aux adresses mentionnées dans la facture (ou à toute autre adresse donnée par une des parties en notifiant l'autre partie par écrit).

15.4 Le présent Contrat contient l'accord intégral formé entre les parties sur l'objet qui le concerne, et il annule et remplace tout autre Contrat ou accord, qu'il soit écrit ou oral, existant ou ayant existé entre les parties sur l'objet des présentes.

15.5 Ce Contrat est régi et interprété en vertu du champ de compétence des tribunaux du pays dans lequel IAR Systems est constituée. Tout litige concernant ce Contrat, son interprétation ou sa validité et tout autre litige fondé sur ce dernier seront soumis à l'arbitrage des tribunaux du pays où IAR Systems est constituée.

15.6 Les dispositions de l'article 15 survivront l'annulation ou la résiliation de ce Contrat.

Ce document contient des notifications et/ou des termes et conditions supplémentaires concernant des logiciels de parties tierces inclus dans le logiciel **IAR Embedded Workbench** d'IAR Systems. Ces notifications et/ou termes et conditions supplémentaires font partie intégrante du Contrat de licence du logiciel IAR et y sont incorporés par renvoi.

1. Composants internes utilisés dans IAR Embedded Workbench

Logiciel tiers	Notification/termes
SCINTILLA	<p>Licence pour Scintilla et SciTE Droits d'auteur 1998-2002 détenus par Neil Hodgson. Tous droits réservés. Les présentes donnent le droit d'utiliser, de copier, de modifier et de distribuer ce logiciel et sa documentation à toutes fins et sans frais à condition que la notification de droits d'auteur ci-dessus soit mentionnée dans tous les exemplaires et que la notification de droits d'auteur et cette notification d'autorisation figurent dans la documentation annexe.</p> <p>NEIL HODGSON DÉCLINE TOUTE GARANTIE CONCERNANT CE LOGICIEL, Y COMPRIS TOUTES LES GARANTIES IMPLICITES DE VALEUR COMMERCIALE ET D'ADÉQUATION À UN USAGE PARTICULIER. NEIL HODGSON NE PEUT EN AUCUN CAS ÊTRE TENU POUR RESPONSABLE DES DOMMAGES SPÉCIAUX, INDIRECTS OU CONSÉCUTIFS ET DE TOUT AUTRE DOMMAGE RÉSULTANT DE LA PERTE D'UTILISATION, DE LA PERTE DE DONNÉES OU DE PROFITS, QUE CE SOIT DANS LE CADRE D'UNE ACTION EN RESPONSABILITÉ CONTRACTUELLE, D'UN ACTE DE NÉGLIGENCE OU DE TOUT AUTRE ACTE DÉLICTEUX ÉMANANT DE L'UTILISATION OU DE LA PERFORMANCE DE CE LOGICIEL OU EN CONNEXION AVEC LUI.</p>
IBM ICU	<p>Licence ICU - DROITS D'AUTEUR ET NOTIFICATION D'AUTORISATION POUR ICU 1.8.1 et versions ultérieures Droits d'auteur (c) 1995-2003 International Business Machines Corporation et autres entités Tous droits réservés.</p> <p>Les présentes autorisent toute personne à obtenir gratuitement un exemplaire de ce logiciel et des fichiers de documentation annexes (le « logiciel »), à utiliser le logiciel sans restriction, y compris, sans s'y limiter, le droit d'utiliser, de copier, de modifier, de fusionner, de publier, de distribuer et/ou de vendre des exemplaires du logiciel et d'autoriser les personnes à qui est fourni le logiciel de faire de même à condition que la/les notification(s) de droits d'auteur ci-dessus et cette notification d'autorisation figurent dans tous les exemplaires du logiciel et que la/les notification(s) de droits d'auteur ci-dessus ainsi que cette notification d'autorisation figurent dans la documentation annexe.</p> <p>LE LOGICIEL EST FOURNI « TEL QUEL », SANS GARANTIE D'AUCUNE SORTE, QU'ELLE SOIT EXPRESSE OU IMPLICITE, Y COMPRIS MAIS SANS S'Y LIMITER, LES GARANTIES DE QUALITÉ MARCHANDE, D'ADÉQUATION À UN USAGE PARTICULIER ET DE NON-VIOLATION DES DROITS DE TIERS. LE OU LES DÉTENTEUR(S) DE DROITS D'AUTEUR INCLUS DANS CETTE NOTIFICATION NE POURRA/ POURRONT EN AUCUN CAS ÊTRE TENU(S) POUR RESPONSABLE(S) DES RÉCLAMATIONS, DES DOMMAGES SPÉCIAUX INDIRECTS OU CONSÉCUTIFS, NI DES DOMMAGES DE QUELQUE SORTE RÉSULTANT DE LA PERTE DE L'UTILISATION, DE LA PERTE DE DONNÉES OU DE PROFITS, QUE CE SOIT DANS UNE ACTION EN RESPONSABILITÉ CONTRACTUELLE, UN ACTE DE NÉGLIGENCE OU TOUT AUTRE ACTE DÉLICTEUX ÉMANANT DE L'UTILISATION OU DE LA PERFORMANCE DE CE LOGICIEL OU EN CONNEXION AVEC LUI.</p> <p>Hormis sa mention dans cette notification, le nom du détenteur des droits d'auteur ne saurait être utilisé pour faire la publicité ni pour promouvoir de quelque façon que ce soit la vente, l'utilisation ou toute autre activité de ce logiciel sans autorisation écrite préalable du détenteur des droits d'auteur. Toutes les marques commerciales et les marques déposées contenues dans les présentes appartiennent à leurs propriétaires respectifs.</p>

Contrat de licence logicielle IAR

Apache	<p>Licence du logiciel Apache, Version 1.1 Droits d'auteur (c) 1999-2003 The Apache Software Foundation. Tous droits réservés. Il est permis de redistribuer et d'utiliser ce produit dans ses formes source et binaire, avec ou sans modifications, à condition de remplir les conditions suivantes :</p> <ol style="list-style-type: none">1. La redistribution du code source doit mentionner la notification des droits d'auteur ci-dessus, cette liste de conditions ainsi que la clause de non-responsabilité suivante.2. La redistribution sous forme binaire doit reproduire la notification des droits d'auteur ci-dessus, cette liste de conditions ainsi que la clause de non-responsabilité suivante dans la documentation et/ou les autres supports fournis dans le cadre de la distribution.3. La documentation destinée à l'utilisateur final incluse dans le cadre de la redistribution, le cas échéant, doit comporter la mention suivante : « Ce produit comprend un logiciel développé par Apache Software Foundation (http://www.apache.org/). » Cette mention peut également figurer dans le logiciel proprement dit si et là où de telles mentions des produits de parties tierces sont normalement mentionnées.4. Les noms « Xerces » et « Apache Software Foundation » ne peuvent être utilisés pour approuver ou promouvoir les produits émanant de ce logiciel sans autorisation écrite préalable. Pour obtenir une autorisation écrite, merci d'envoyer un message à apache@apache.org.5. Les produits dérivés de ce logiciel ne peuvent être appelés « Apache » et le nom « Apache » ne peut figurer dans leur nom sans l'autorisation écrite préalable de Apache Software Foundation. <p>CE LOGICIEL EST FOURNI « TEL QUEL » ET ON DÉCLINE TOUTE GARANTIE EXPRESSE OU IMPLICITE, Y COMPRIS, MAIS SANS S'Y LIMITER, LA GARANTIE IMPLICITE DE VALEUR COMMERCIALE ET D'ADÉQUATION À UN USAGE PARTICULIER. APACHE SOFTWARE FOUNDATION ET SES COLLABORATEURS NE POURRONT EN AUCUN CAS ÊTRE TENUS POUR RESPONSABLES DES DOMMAGES DIRECTS, INDIRECTS, ACCESSOIRES, SPÉCIAUX, EXEMPLAIRES OU CONSÉCUTIFS (Y COMPRIS, MAIS SANS S'Y LIMITER, LA FOURNITURE DE PRODUITS OU DE SERVICES DE REMPLACEMENT, LA PERTE DE L'UTILISATION, LA PERTE DE DONNÉES OU DE PROFITS ET L'INTERRUPTION DE TRAVAIL), QUELLE QU'EN SOIT LA CAUSE, ET SUR QUELQUE MOTIF QUE CE SOIT, QUE CE SOIT DANS UNE ACTION EN RESPONSABILITÉ CONTRACTUELLE, UNE ACTION EN RESPONSABILITÉ OBJECTIVE, UN DÉLIT CIVIL (Y COMPRIS CELUI DE NÉGLIGENCE OU TOUT AUTRE MOTIF) ÉMANANT DE L'UTILISATION DE CE LOGICIEL, MÊME SI DE TELS DOMMAGES SONT SIGNALÉS COMME POSSIBLES.</p> <p>Ce logiciel est le fruit de contributions volontaires provenant de nombreuses personnes œuvrant pour Apache Software Foundation et se fonde sur les droits d'auteur relatifs aux logiciels (c) 1999, International Business Machines, Inc., http://www.ibm.com. Pour en savoir plus sur Apache Software Foundation, veuillez vous rendre sur <http://www.apache.org/></p>
LLVM	<p>Licence LLVM University of Illinois/NCSA. Licence à code source libre. Droits d'auteur (c) 2003-2011 University of Illinois at Urbana-Champaign. Tous droits réservés. Développé par : LLVM Team University of Illinois at Urbana-Champaign. http://llvm.org</p> <p>Les présentes autorisent toute personne à obtenir gratuitement un exemplaire de ce logiciel et des fichiers de documentation annexes (le « Logiciel »), à utiliser le logiciel sans restriction, y compris, sans s'y limiter, le droit d'utiliser, de copier, de modifier, de fusionner, de publier, de distribuer, d'accorder des sous-licences et/ou de vendre des exemplaires du logiciel et d'autoriser les personnes à qui est fourni le logiciel de faire de même à condition de remplir les conditions suivantes :</p> <p>*La redistribution du code source doit mentionner la notification des droits d'auteur ci-dessus, cette liste de conditions ainsi que la clause de non-responsabilité suivante. *La redistribution sous forme binaire doit reproduire la notification des droits d'auteur ci-dessus, cette liste de conditions ainsi que la clause de non-responsabilité suivante dans la documentation et/ou les autres supports fournis dans le cadre de la distribution. *Les noms de l'équipe de LLVM, de University of Illinois at Urbana-Champaign ainsi que ceux de leurs contributeurs ne peuvent être utilisés pour approuver ou promouvoir des produits dérivés de ce logiciel sans autorisation écrite préalable.</p> <p>LE LOGICIEL EST FOURNI « TEL QUEL », SANS GARANTIE D'AUCUNE SORTE, QU'ELLE SOIT EXPRESSE OU IMPLICITE, Y COMPRIS MAIS SANS S'Y LIMITER, LES GARANTIES DE QUALITÉ MARCHANDE, D'ADÉQUATION À UN USAGE PARTICULIER ET DE NON-VIOLATION DES DROITS DE TIERS. LES CONTRIBUTEURS OU LES DÉTENTEURS DE DROITS D'AUTEUR NE POURRONT EN AUCUN CAS ÊTRE TENUS POUR RESPONSABLES DES RÉCLAMATIONS, DES DOMMAGES NI DES OBLIGATIONS, QUE CE SOIT DANS UNE ACTION EN RESPONSABILITÉ CONTRACTUELLE, UN DÉLIT CIVIL OU AUTRE ÉMANANT DE L'UTILISATION DE CE LOGICIEL OU EN CONNEXION AVEC LUI OU LIÉ À UN TOUT AUTRE USAGE DE CE DERNIER.</p>

Contrat de licence logicielle IAR

Bibliothèques Boost C++	<p>Licence du logiciel Boost - Version 1.0 - 17 août 2003</p> <p>Les présentes autorisent toute personne à obtenir gratuitement un exemplaire de ce logiciel et des fichiers de documentation annexes couverts par cette licence (le « logiciel »), à utiliser le logiciel, à le reproduire, l'afficher, le distribuer, l'exécuter et le transmettre, ainsi que préparer des produits dérivés du logiciel et autoriser les personnes à qui est fourni le logiciel de faire de même à condition de remplir les conditions suivantes : les notifications des droits d'auteur du logiciel et l'intégralité de cette déclaration, dont l'octroi de licence ci-dessus, cette restriction et la clause de non-responsabilité suivante doivent être inclus dans tous les exemplaires du logiciel, en intégralité ou en partie, et tous les produits dérivés du logiciel, sauf si ces exemplaires ou produits dérivés se trouvent uniquement sous la forme exécutable du code objet générée par un processeur de langage source.</p> <p>LE LOGICIEL EST FOURNI « TEL QUEL », SANS GARANTIE D'AUCUNE SORTE, QU'ELLE SOIT EXPRESSE OU IMPLICITE, Y COMPRIS MAIS SANS S'Y LIMITER, LES GARANTIES DE QUALITÉ MARCHANDE, D'ADÉQUATION À UN USAGE PARTICULIER ET DE NON-VIOLATION DES DROITS DE TIERS. LES DÉTENTEURS DE DROITS D'AUTEUR ET LES PERSONNES DISTRIBUANT LE LOGICIEL NE POURRONT EN AUCUN CAS ÊTRE TENUS POUR RESPONSABLES DES DOMMAGES NI DES AUTRES OBLIGATIONS, QUE CE SOIT DANS UNE ACTION EN RESPONSABILITÉ CONTRACTUELLE, UN DÉLIT CIVIL OU AUTRE ÉMANANT DE L'UTILISATION DE CE LOGICIEL OU EN CONNEXION AVEC LUI OU LIÉ À UN TOUT AUTRE USAGE DE CE DERNIER.</p>
Protocol Buffers	<p>Protocol Buffers - format d'interface de données Google Droits d'auteur 2008 Google Inc. Tous droits réservés. http://code.google.com/p/protobuf/</p> <p>Il est permis de redistribuer et d'utiliser ce produit dans ses formes source et binaire, avec ou sans modifications, à condition de remplir les conditions suivantes :</p> <p>*La redistribution du code source doit mentionner la notification des droits d'auteur ci-dessus, cette liste de conditions ainsi que la clause de non-responsabilité suivante. *La redistribution sous forme binaire doit reproduire la notification des droits d'auteur ci-dessus, cette liste de conditions ainsi que la clause de non-responsabilité suivante dans la documentation et/ou les autres supports fournis dans le cadre de la distribution. *Le nom de Google Inc. et les noms de ses collaborateurs ne peuvent être utilisés pour approuver ou promouvoir des produits dérivés de ce logiciel sans autorisation expresse écrite préalable.</p> <p>CE LOGICIEL EST FOURNI « TEL QUEL » ET ON DÉCLINE TOUTE GARANTIE EXPRESSE OU IMPLICITE, Y COMPRIS, MAIS SANS S'Y LIMITER, LA GARANTIE IMPLICITE DE VALEUR COMMERCIALE ET D'ADÉQUATION À UN USAGE PARTICULIER. APACHE SOFTWARE FOUNDATION ET SES CONTRIBUTEURS NE POURRONT EN AUCUN CAS ÊTRE TENUS POUR RESPONSABLES DES DOMMAGES DIRECTS, INDIRECTS, ACCESSOIRES, SPÉCIAUX, EXEMPLAIRES OU CONSÉCUTIFS (Y COMPRIS, MAIS SANS S'Y LIMITER, LA FOURNITURE DE PRODUITS OU DE SERVICES DE REMPLACEMENT, LA PERTE DE L'UTILISATION, LA PERTE DE DONNÉES OU DE PROFITS ET L'INTERRUPTION DE TRAVAIL), QUELLE QU'EN SOIT LA CAUSE, ET SUR QUELQUE MOTIF QUE CE SOIT, QUE CE SOIT DANS UNE ACTION EN RESPONSABILITÉ CONTRACTUELLE, UNE ACTION EN RESPONSABILITÉ OBJECTIVE, UN DÉLIT CIVIL (Y COMPRIS CELUI DE NÉGLIGENCE OU TOUT AUTRE MOTIF) ÉMANANT DE L'UTILISATION DE CE LOGICIEL, MÊME SI DE TELS DOMMAGES SONT SIGNALÉS COMME POSSIBLES.</p>

2. Composants potentiellement utilisés dans les applications clientes

Logiciel tiers	Notification/termes
dlmalloc	Version de malloc/free/realloc (aka dlmalloc) écrite par Doug Lea et placée dans le domaine public, comme cela est expliqué à l'adresse http://creativecommons.org/publicdomain/zero/1.0/ .
	<p>Sous licence Dinkum Abridged/C Library</p> <p>Définition : le terme « Source sous licence » se rapporte au code source de Dinkum Abridged Library, au code source de Dinkum C Library et Dinkum Abridged Library Reference ou à une version ultérieure des mêmes produits. Une sous-licence est fournie uniquement en conjonction avec les produits IAR C/EC++/C++ Cross Compiler détenus par IAR Systems AB et pour l'utilisation de ces derniers. Le détenteur de la sous-licence fournira à Dinkumware Ltd (le « Concédant ») les protections suivantes :</p>

Contrat de licence logicielle IAR

Dinkum
Bibliothèque
C++

(a) Propriété de Plauger a. Le détenteur de la sous-licence reconnaît et accepte ce qui suit : *Le titre et les droits de propriété relatifs à la source sous licence et tous les exemplaires de tous les produits ou d'une partie d'entre eux sont et restent la propriété de Plauger. *Le détenteur de la sous-licence s'engage à ne pas prêter, vendre, louer, hypothéquer et à ne pas se débarrasser de la source sous licence. *Tous les exemplaires de la source sous licence ou partie d'entre eux, sous quelque forme que ce soit, y compris, mais sans s'y limiter, les formes perçues par l'œil humain (directement, par agrandissement ou traduction) ou par le traitement de données ou d'autres équipements, sont détenus entièrement et exclusivement par Plauger, comme décrit ci-dessus. *Le concédant a déclaré que la source sous licence était susceptible de contenir des secrets commerciaux et des informations exclusives, qu'une partie ou non de cette source soit soumise aux droits d'auteur ou brevetée. b. Le détenteur de la sous-licence accepte de préserver inchangées toutes les notifications de droits d'auteur dans tous les exemplaires de la source sous licence. c. Le concédant reconnaît et accepte que le détenteur de la sous-licence n'est pas obligé de fournir ni de révéler au concédant les modifications qu'il a effectuées sur la source sous licence. Il reconnaît et accepte que le détenteur de la sous-licence détient et possède des droits de marketing exclusifs sur ces modifications non divulguées. d. Le détenteur de la sous-licence reconnaît et accepte que les modifications effectuées par le détenteur de la sous-licence sur la source sous licence et qu'il divulgue au concédant deviennent la propriété de Plauger sauf indication écrite contraire du détenteur de la sous-licence pendant ou avant la divulgation (« Modifications divulguées »). Les modifications divulguées effectuées sur la source Licensed Library Source deviennent la propriété de Plauger. Par les présentes, le détenteur de la sous-licence attribue à Plauger tous les droits, titres et intérêts relatifs à ces modifications divulguées et les droits d'auteur et tous les autres droits relatifs aux modifications divulguées. (b) Licence. a. Par les présentes, le concédant octroie au détenteur de la sous-licence une licence personnelle, non exclusive et non transférable pour utiliser ou modifier la source sous licence pour ses propres motifs commerciaux internes seulement en conjonction avec les produits IAR C/EC++/C++ Cross Compiler détenus par IAR Systems. b. Nonobstant ce qui précède, le détenteur de la sous-licence est habilité à faire un nombre limité d'exemplaires de la source sous licence dans la seule mesure où cela est raisonnablement nécessaire pour exercer ses droits vis-à-vis de cette sous-licence. Le détenteur de la sous-licence reconnaît qu'il n'a pas le droit de vendre, d'attribuer, d'émettre des sous-licences, de louer ni de transférer ou de permettre à des tiers d'utiliser ou d'exécuter la source sous licence ou partie d'entre elle, ni de modifier et d'améliorer la source sous licence, ni aucun code objet émanant de la source sous licence. c. Le détenteur de la sous-licence accepte de respecter l'ensemble des lois, réglementations, jugements et décrets en vigueur aux États-Unis concernant l'exportation et la réexportation de la source sous licence. En outre, il accepte de se conformer à toutes les législations étrangères en vigueur pour protéger ou préserver les droits d'auteur, secrets commerciaux et droits exclusifs du concédant relatifs à la source sous licence. Le détenteur de la sous-licence accepte de ne pas expédier et de ne pas dérouter en connaissance de cause la source sous licence vers des pays n'ayant pas ratifié la Convention de Berne ni la Convention universelle sur le droit d'auteur sans avoir obtenu l'autorisation écrite préalable du concédant. (c) Garantie et clause de non-responsabilité. a. Le Titulaire de la licence certifie qu'au moment de la livraison, la source sous licence est en bon état de fonctionnement et conforme aux normes dans tous ses aspects essentiels. b. Le Titulaire de la licence déclare et certifie qu'à sa connaissance, la source sous licence n'est pas créée en totalité ou en partie en violation d'un secret commercial protégé d'un tiers et que la source sous licence n'enfreint pas de brevet ni de droit d'auteur américains.

c. LES GARANTIES LIMITÉES PRÉCÉDENTES CONSTITUENT LES SEULES GARANTIES DU CONCÉDANT AU DÉTENTEUR DE LA SOUS-LICENCE ET TIENNENT LIEU DE GARANTIE UNIQUE, EXPRESSE OU IMPLICITE, MAIS SANS S'Y LIMITER, CONCERNANT LA GARANTIE IMPLICITE DE VALEUR COMMERCIALE ET D'ADÉQUATION À UN USAGE PARTICULIER.

(d) Limite de responsabilité. a. Le concédant ne sera en aucun cas responsable vis-à-vis du détenteur de la sous-licence pour la perte de profits, les dommages accessoires, spéciaux, exemplaires, punitifs, indirects ou consécutifs, même si le Titulaire de la licence sait ou a été informé de la possibilité de tels dommages, de réclamations contre le détenteur de la sous-licence de la part d'une personne physique ou morale ou de dommages engendrés par l'incapacité du détenteur de la sous-licence à assumer ses responsabilités.

Freescale MQX RTOS 4.0.2

Mises à jour : 15-02-2013 IAR Systems AB.

IMPORTANT : Veuillez lire dans son intégralité le Contrat de licence du logiciel Freescale Semiconductor (« le Contrat »). En sélectionnant le bouton « I Accept » (J'accepte) ci-dessous, vous acceptez les termes de ce Contrat. Vous pouvez alors procéder à l'installation du logiciel.

CONTRAT DE LICENCE DU LOGICIEL FREESCALE SEMICONDUCTOR

Ceci est un accord juridique entre vous (soit en tant que personne physique, soit en tant que représentant de votre employeur) et Freescale Semiconductor, Inc. (« Freescale »). Cet accord traite de vos droits concernant l'utilisation de ce fichier et tout support écrit l'accompagnant (le « logiciel »). En contrepartie de l'autorisation accordée par Freescale d'accéder au logiciel, vous acceptez de respecter les termes de ce Contrat. Si vous n'acceptez pas l'intégralité des termes du Contrat, ne téléchargez pas le logiciel. Si vous changez d'avis ultérieurement, cessez d'utiliser le logiciel et effacez tous les exemplaires du logiciel en votre possession ou sous votre contrôle. Tout exemplaire du logiciel que vous avez déjà distribué, lorsque cela est permis, et que vous ne détruisez pas, continuera d'être régi par ce Contrat. Votre utilisation antérieure continuera également à être régie par ce Contrat.

OCTROI DE LICENCE. Exclusivement en conjonction avec le développement et la vente, par le Titulaire de la licence, d'un produit contenant une unité de traitement programmable (par exemple, un microprocesseur, un microcontrôleur ou un processeur de signal numérique) fourni directement ou indirectement par Freescale (« Freescale System ») et listé comme « Sous-produits » sur le site Web Freescale MQX (www.freescale.com/mqx), Freescale vous octroie gracieusement le droit non exclusif et non transférable (1) d'utiliser le logiciel, (2) de reproduire le logiciel, (3) de préparer des produits dérivés à partir du logiciel, (4) de distribuer le logiciel et les produits dérivés en émanant sous forme de code objet (lisible à la machine) dans le cadre de Freescale System et (5) d'émettre des sous-licences à des tiers pour leur donner le droit d'utiliser le logiciel distribué tel qu'il est inclus dans le Freescale System. Vous devez interdire à vos sous-Titulaires de la licence de traduire, d'effectuer une ingénierie inverse, de décompiler ou de désassembler le logiciel sauf si la législation en vigueur interdit une telle restriction. Si vous enfreignez un ou plusieurs des termes ou des restrictions de ce Contrat, Freescale est en droit de le résilier immédiatement et d'exiger que vous arrêtiez d'utiliser et que vous effaciez tous les exemplaires du logiciel en votre possession ou sous votre contrôle.

DROIT D'AUTEUR. Le logiciel ne vous est pas vendu mais fourni sous licence. Freescale est propriétaire du logiciel et ce dernier est protégé par les lois des États-Unis et les dispositions correspondantes des traités internationaux sur les droits d'auteur. Par conséquent, vous devez considérer le logiciel comme tout autre document protégé par des droits d'auteur (ex. : livre ou enregistrement musical). Vous n'avez pas le droit d'utiliser ni de dupliquer le logiciel à des fins autres que celles décrites dans le Contrat. Sauf s'ils sont expressément fournis dans les présentes, Freescale ne vous octroie aucun droit exprès ni implicite en vertu de brevets, de droits d'auteur, de marques déposées ou de secrets commerciaux détenus par Freescale ou des parties tierces. En outre, vous devez reproduire et appliquer les notifications relatives aux droits d'auteur et aux autres droits exclusifs inclus ou incorporés dans le logiciel dans les exemplaires ou produits dérivés en émanant, en partie ou en totalité, le cas échéant.

SUPPORT. Freescale N'EST PAS dans l'obligation de vous fournir un support, des mises à jour, ni de nouvelles versions du logiciel. Si vous le souhaitez, vous pouvez communiquer avec Escale pour faire état de problèmes rencontrés et faire des suggestions sur le logiciel. Freescale n'est absolument pas tenu de réagir de quelque manière que ce soit à de tels problèmes rencontrés ou à de telles suggestions. Freescale est susceptible de modifier le logiciel à tout moment et n'est pas tenu de vous en avertir ni de vous fournir des versions mises à jour du logiciel.

AUCUNE GARANTIE. DANS LES LIMITES PERMISES PAR LA LOI, FREESCALE REJETTE EXPRESSÉMENT TOUTE GARANTIE CONCERNANT LE LOGICIEL. LE LOGICIEL EST FOURNI « TEL QUEL », SANS GARANTIE D'AUCUNE SORTE, QU'ELLE SOIT EXPRESSE OU IMPLICITE, Y COMPRIS MAIS SANS S'Y LIMITER, LES GARANTIES DE QUALITÉ MARCHANDE, D'ADÉQUATION À UN USAGE PARTICULIER ET DE NON-VIOLATION DES DROITS DE TIERS. VOUS ASSUMEZ L'INTÉGRALITÉ DES RISQUES PROVENANT DE L'UTILISATION OU DE LA PERFORMANCE DES LOGICIELS ET DE TOUS LES SYSTÈMES DE VOTRE CONCEPTION ÉMANANT DE L'UTILISATION DU LOGICIEL (LE CAS ÉCHÉANT). AUCUNE DISPOSITION DE CE CONTRAT NE PEUT ÊTRE INTERPRÉTÉE COMME UNE GARANTIE NI UNE DÉCLARATION, PAR FREESCALE, QUE LE LOGICIEL OU TOUT PRODUIT DÉRIVÉ DÉVELOPPÉ AVEC LE LOGICIEL OU INCORPORANT LE LOGICIEL EST EXEMPT DE VIOLATIONS DES DROITS SUR LA PROPRIÉTÉ INTELLECTUELLE DE PARTIES TIERCES.

INDEMNISATION. Vous acceptez de défendre et d'indemniser Freescale pleinement pour les réclamations, obligations et coûts (y compris les frais raisonnables d'avocat) relatifs à (1) votre utilisation (et l'utilisation de vos sous-Titulaires de la licence, si cela est permis) du logiciel et (2) votre violation des termes et conditions de ce Contrat.

LIMITATION DE RESPONSABILITÉ. FREESCALE NE POURRA EN AUCUN CAS ÊTRE TENU COMME RESPONSABLE DANS LE CADRE D'UNE ACTION CONTRACTUELLE, D'UN DÉLIT CIVIL OU POUR TOUT AUTRE MOTIF, DES DOMMAGES ACCESSOIRES, SPÉCIAUX, INDIRECTS, CONSÉCUTIFS OU PUNITIFS (Y COMPRIS, MAIS SANS S'Y LIMITER, LES DOMMAGES POUR LA PERTE DE L'UTILISATION, LA PERTE DE TEMPS, LE DÉSAGRÈMENT, LA PERTE COMMERCIALE, LA PERTE DE PROFITS, D'ÉCONOMIES OU DE REVENUS, DANS LES LIMITES PERMISES PAR LA LOI.

CONFORMITÉ AUX LOIS, RESTRICTIONS RELATIVES À L'EXPORTATION. Vous devez utiliser le logiciel en conformité avec les lois, réglementations et statuts en vigueur aux États-Unis. Vos Titulaires de la licence (le cas échéant) et vous-même certifiez n'avoir pas l'intention ni la volonté d'exporter ni de transférer directement ou indirectement le logiciel vers des pays violant les restrictions d'exportation des États-Unis.

UTILISATION GOUVERNEMENTALE. L'utilisation du logiciel et de toute documentation annexe, le cas échéant, est fournie avec des DROITS LIMITÉS. L'utilisation, la duplication ou la divulgation par le gouvernement est soumise à des restrictions comme indiqué dans le sous-paragraphe (c)(1)(ii) de la clause Rights in Technical Data and Computer Software de DFARS 252.227-7013 ou dans les sous-paragraphe (c)(1) et (2) de Commercial Computer Software - Restricted Rights 48 CFR 52.227-19, si applicable. Le fabricant est Freescale Semiconductor, Inc., 6501 William Cannon Drive West, Austin, TX, 78735.

ACTIVITÉS À HAUT RISQUE. Vous reconnaissez que le logiciel n'est pas tolérant aux pannes et qu'il n'est pas conçu, fabriqué ni prévu par Freescale pour être incorporé à des produits devant être utilisés ou revendus pour des équipements de contrôle en ligne dans des environnements hasardeux, dangereux et potentiellement mortels requérant une performance sans fautes, comme le fonctionnement des sites nucléaires, les systèmes de navigation ou de communication des avions, le contrôle aérien, les appareils médicaux de maintien en vie ou les systèmes d'armement, pour lesquels la panne des produits est susceptible d'entraîner la mort, des blessures corporelles ou des dommages physiques ou environnementaux très importants (« Activités à haut risque »). Vous déclarez et garantissez en particulier que vous n'utiliserez pas le logiciel ni des produits dérivés du logiciel pour effectuer des activités à haut risque.

CHOIX DE LA LÉGISLATION ET DU LIEU DE JURIDICTION ET LIMITES. Sans égard aux principes de conflit des lois, vous acceptez que les statuts et lois des États-Unis et de l'État du Texas, aux États-Unis, s'appliquent à tous les sujets se rapportant à ce Contrat ou à ce logiciel, et vous acceptez que tout litige soit soumis à la juridiction exclusive des tribunaux étatiques ou fédéraux du Texas, aux États-Unis. Indépendamment de tout statut ou de toute loi prévoyant le contraire, vous acceptez que toute réclamation et tout motif d'action émanant de ce Contrat ou logiciel ou lié à ces derniers soient mis en œuvre dans l'intervalle d'une (1) année après l'apparition de cette réclamation ou motif d'action sans quoi ils seront prescrits à jamais.

ÉTIQUETAGE DU PRODUIT. Vous n'êtes pas autorisé à utiliser les marques déposées, les noms de marque, ni les logos Freescale.

INTÉGRALITÉ DU CONTRAT. Ce Contrat constitue l'intégralité de l'accord passé entre vous et Freescale concernant le sujet du Contrat et remplace l'ensemble des communications, négociations, ententes, accords et propositions, qu'ils soient écrits ou oraux, le cas échéant. Ce Contrat peut uniquement être modifié par écrit et exécuté par vous et Freescale.

DIVISIBILITÉ. Si une disposition quelconque de ce Contrat est considérée pour quelque raison que ce soit comme non valide ou non applicable, les dispositions restantes de ce Contrat ne seront pas affectées. À moins qu'une modification ou qu'un remplacement de la disposition non valide ou non applicable ne soit également considéré comme pouvant priver Freescale ou vous-même d'un avantage important, auquel cas le Contrat prendra fin immédiatement, la disposition non valide ou non applicable sera remplacée par une disposition valide et applicable se rapprochant le plus possible de l'intention sous-jacente de la disposition non valide ou non applicable.

AUCUNE RENONCIATION. La renonciation de Freescale à tout manquement relatif à une disposition quelconque de ce Contrat n'est pas considérée comme une renonciation s'appliquant à une autre disposition ou à un manquement ultérieur de la même ou d'une autre disposition.

ROBINAIR



Instruções originais

Modelo: 34988NI, 34988NI-230



Máquina de recuperação, reciclagem e recarga
para sistemas de A/C R-134a

Descrição: Máquina de recuperação, reciclagem e recarga para uso com sistemas de ar condicionado equipados com R-134a.

INFORMAÇÕES DO PRODUTO

Registre o número de série e o ano de fabricação desta unidade para futuras consultas. Consulte a etiqueta de identificação do produto na unidade para obter informações.

Nº de série: _____ Ano de fabricação: _____

AVISO DE ISENÇÃO DE RESPONSABILIDADE: Informações, ilustrações e especificações contidas neste manual baseiam-se nas informações mais recentes disponíveis no momento da publicação. Reservamo-nos o direito de fazer alterações a qualquer momento, sem obrigação de notificar qualquer pessoa ou organização de tais revisões ou alterações. Além disso, a ROBINAIR não se responsabilizará por nenhum erro aqui contido, nem por danos incidentais ou indiretos (incluindo lucros cessantes) em conexão com o fornecimento, desempenho ou uso deste material. Se necessário, obtenha informações adicionais sobre saúde e segurança das agências governamentais apropriadas e do fabricante do veículo, fluido refrigerante ou lubrificante.

Precauções de segurança	2	Manutenção	24
Explicação das palavras de sinalização de segurança usadas neste manual	2	Programação de manutenção	24
Explicação dos adesivos de segurança usados na máquina	2	Carregamento do idioma	25
Dispositivos de proteção	4	Ajuste da meta de enchimento básico	26
Teste do tanque de fluido refrigerante	4	Enchimento do tanque	26
Introdução	5	Manutenção do filtro	27
Especificações técnicas	5	Verificação da capacidade restante do filtro	27
Recursos	6	Substituição do filtro	27
Funções do painel de controle	8	Verificação da calibração	29
Legenda de ícones	9	Troca do óleo da bomba de vácuo	30
Funções do menu de configuração	10	Verificação de vazamento	31
Configuração inicial	11	Edição do cabeçalho de impressão	32
Desembalagem da máquina	11	Substituição do papel da impressora	32
Desembalagem do kit de acessórios	11	Função de serviço do A/C	33
Kit de acessórios	11	Peças de reposição	33
Ativação da máquina	11	Glossário	33
Selecionar idioma	12	Solução de problemas	34
Selecionar unidades	12	Armazenamento e transporte do equipamento 37	
Definir data e hora	12	Armazenamento	37
Edição do cabeçalho de impressão	12	Transporte do equipamento	37
Vácuo de serviço	13	Descarte de equipamento	38
Ajuste da meta de enchimento básico	13	Descarte de materiais reciclados	38
Enchimento do tanque	13	Descarte da máquina	38
Ativação da unidade	15	Descarte das baterias	38
Instruções de operação	16		
Inserção de dados de serviço	16		
Recuperação de fluido refrigerante de um veículo	17		
Evacuação do sistema de A/C do veículo	18		
Lavagem das mangueiras	19		
Recarga do sistema de A/C do veículo	20		
Função automática	21		
Lavagem do sistema	22		

Precauções de segurança

Explicação das palavras de sinalização de segurança usadas neste manual

A palavra de sinalização de segurança designa o grau ou o nível de gravidade de perigo.

 **PERIGO:** indica uma situação perigosa iminente que, se não for evitada, resultará em morte ou acidente pessoal grave.

 **ATENÇÃO:** indica uma situação potencialmente perigosa que, se não for evitada, poderá resultar em morte ou acidente pessoal grave.

 **CUIDADO:** indica uma situação potencialmente perigosa que, se não for evitada, poderá resultar em acidente pessoal de gravidade reduzida ou moderada.

CUIDADO: quando usado sem o símbolo de alerta de segurança, indica uma situação potencialmente perigosa que, se não for evitada, poderá resultar em danos à propriedade.

Essas mensagens de segurança abrangem situações que a Robinair conhece. A Robinair não tem condições de saber, avaliar ou advertir todos os perigos possíveis. O usuário deve verificar se as condições e os procedimentos não comprometem a segurança pessoal.

Explicação dos adesivos de segurança usados na máquina

	Leia cuidadosamente as instruções.
	Não use ao ar livre em caso de chuva ou umidade elevada.
	Use luvas.
	Use óculos de proteção.
	Tensão alternada.
	Proteção de aterramento.
	Risco de choque elétrico.

Precauções de segurança



ATENÇÃO: Para evitar acidentes pessoais,



PERMITA APENAS QUE PESSOAL QUALIFICADO OPERE A MÁQUINA. Antes de operar a máquina, leia e siga as instruções e os avisos deste manual. O operador deve estar familiarizado com sistemas de ar-condicionado e refrigeração, além dos perigos de componentes pressurizados. Se o operador não for capaz de ler este manual, as instruções de operações e as precauções de segurança devem ser lidas e discutidas no idioma nativo do operador.



USE A MÁQUINA COMO DESCRITO NESTE MANUAL. Utilizar a máquina com outra finalidade além daquela para a qual foi projetada comprometerá a máquina e anulará as proteções incluídas.



O TANQUE PRESSURIZADO CONTÉM FLUIDO REFRIGERANTE. Não encha demais o reservatório de armazenamento interno (ISV). Encher excessivamente pode causar explosão, resultando em acidente pessoal ou morte. Não recupere fluidos refrigerantes em recipientes não recarregáveis; utilize apenas recipientes recarregáveis do tipo aprovado e que tenham válvulas de alívio de pressão.



AS MANGUEIRAS PODEM CONTER FLUIDO REFRIGERANTE SOB PRESSÃO. Contato com fluido refrigerante pode causar acidente pessoal, incluindo cegueira e pele congelada. Use equipamentos de proteção pessoal, incluindo óculos de proteção e luvas. Desconecte as mangueiras com muito cuidado. Verifique se a fase foi concluída antes de desconectar a máquina para evitar a liberação de fluido refrigerante para a atmosfera.



EVITE RESPIRAR O FLUIDO REFRIGERANTE DO A/C E O VAPOR OU A NÉVOA DO LUBRIFICANTE. A exposição pode irritar os olhos, o nariz e a garganta. Para remover o fluido refrigerante do sistema de ar-condicionado, use somente equipamentos certificados para o tipo de fluido refrigerante sendo removido. Use a unidade em locais com ventilação mecânica com pelo menos quatro trocas de ar por hora. Se ocorrer uma descarga acidental do sistema, ventile a área de trabalho antes de retomar o serviço.

NÃO DISPERSE FLUIDO REFRIGERANTE NO AMBIENTE. Evite a possível presença de fluido refrigerante no ambiente de trabalho.



PARA REDUZIR O RISCO DE INCÊNDIO, não utilize a máquina próximo a recipientes derramados ou abertos de gasolina ou outras substâncias inflamáveis.

PARA REDUZIR O RISCO DE INCÊNDIO, não use um cabo de extensão. Um cabo de extensão pode sofrer superaquecimento e causar incêndio. Se for preciso usar um cabo de extensão, use o cabo mais curto possível, com bitola mínima de 14 AWG.

PARA REDUZIR O RISCO DE INCÊNDIO, não utilize a máquina próximo a chamas e superfícies quentes. O fluido refrigerante pode se decompor em altas temperaturas e liberar substâncias tóxicas para o ambiente que podem ser nocivas para o usuário.

PARA REDUZIR O RISCO DE INCÊNDIO, não utilize a máquina em ambientes contendo gases ou vapores explosivos.

PARA REDUZIR O RISCO DE INCÊNDIO, não utilize esta máquina em zonas ou áreas com classificação ATEX. Proteja a máquina de condições que possam causar falha elétrica ou outros riscos relacionados à interação com o ambiente.



CUIDADO—NÃO TESTE A PRESSÃO OU VAZAMENTOS DO EQUIPAMENTO E/OU DE SISTEMAS DE AR-CONDICIONADO DE VEÍCULOS COM AR COMPRIMIDO. Misturas de ar e fluido refrigerante R-134a podem ser combustíveis em pressões elevadas. Essas misturas são potencialmente perigosas e podem resultar em incêndios ou explosões, causando acidente pessoal e/ou danos à propriedade.



A ELETRICIDADE DE ALTA TENSÃO NO INTERIOR DA MÁQUINA OFERECE RISCO DE CHOQUE ELÉTRICO. Exposição pode causar acidente pessoal. Desconecte a alimentação elétrica antes de fazer manutenção na máquina.

NUNCA DEIXE A MÁQUINA ENERGIZADA SE NÃO HOUVER NENHUM USO IMEDIATO PREVISTO. Desconecte a alimentação elétrica antes de um longo período de inatividade ou antes de realizar a manutenção interna.

NÃO MODIFIQUE A VÁLVULA DE ALÍVIO DE PRESSÃO NEM ALTERE AS CONFIGURAÇÕES DO SISTEMA DE CONTROLE. Utilizar a máquina com outra finalidade além daquela para a qual foi projetada comprometerá a máquina e anulará as proteções incluídas.

**Informações adicionais sobre saúde e segurança podem ser obtidas
do fabricante do fluido refrigerante ou lubrificante.**

Precauções de segurança

CUIDADO : para evitar danos ao equipamento,



PARA EVITAR CONTAMINAÇÃO CRUZADA, USE ESTA MÁQUINA SOMENTE COM FLUIDO REFRIGERANTE R-134A. A máquina está equipada com conectores especiais para recuperar, reciclar e recarregar apenas fluido refrigerante R-134a. Não tente adaptar a máquina para outro fluido refrigerante. Não misture tipos diferentes de fluidos refrigerantes no sistema ou em um mesmo recipiente; misturar fluidos refrigerantes danificará gravemente a máquina e o sistema de ar-condicionado do veículo.

NÃO UTILIZE ESTA MÁQUINA SOB A LUZ SOLAR DIRETA. Posicione a máquina longe de fontes de calor, como luz solar direta, que possam causar temperaturas excessivas. Utilizar esta máquina em condições ambientais normais (10 °C a 50 °C) mantém as pressões dentro de limites razoáveis.



NÃO UTILIZE ESTA MÁQUINA AO AR LIVRE DURANTE CHUVA OU COM UMIDADE ELEVADA. Proteja a máquina de condições que possam causar falha elétrica ou outros riscos relacionados à interação com o ambiente.

NÃO UTILIZE ESTA MÁQUINA EM ÁREAS ONDE HAJA RISCO DE EXPLOÇÃO.

CONFIGURE A MÁQUINA SOBRE UMA SUPERFÍCIE PLANA E SOB ILUMINAÇÃO SUFICIENTE. BLOQUEIE AS RODAS DIANTEIRAS E NÃO SUBMETA A MÁQUINA A VIBRAÇÃO.

PARA EVITAR INCOMPATIBILIDADES QUÍMICAS COM OS COMPONENTES INTERNOS DA MÁQUINA, UTILIZE APENAS ÓLEOS APROVADOS PELO FABRICANTE DO VEÍCULO. Os problemas resultantes do uso de óleos não aprovados anularão a garantia.

Informações adicionais sobre saúde e segurança podem ser obtidas do fabricante do fluido refrigerante ou lubrificante.

Dispositivos de proteção

A máquina está equipada com os seguintes dispositivos de proteção:

- Válvulas de excesso de pressão.
- Um pressostato de pressão máxima interrompe o compressor quando pressão excessiva é detectada.



ATENÇÃO: Adulterar esses dispositivos de proteção pode resultar em acidente pessoal grave.

Teste do tanque de fluido refrigerante

Os registros oficiais e testes recorrentes necessários para instrumentos pressurizados são regidos por leis e/ou regulamentos nacionais que dependem do país onde o tanque de fluido refrigerante é usado. O gerente do sistema é responsável pela conformidade com as leis, regulamentações e normas técnicas. Durante serviço normal, os tanques de fluido refrigerante não necessitam de manutenção. Consulte a seção Manutenção deste manual para obter mais informações.

Esta máquina é usada em veículos com R-134a e foi projetada para ser compatível com os equipamentos de manutenção existentes e procedimentos padrão de manutenção. Esta máquina é um sistema de passagem única (ou seja, o fluido refrigerante flui pelo filtro uma vez) que atende às especificações de fluido refrigerante reciclado. Siga os procedimentos de manutenção recomendados para a contenção de R-134a.

Observação: os sistemas de fluido refrigerante exigem óleos especiais. Consulte o manual de manutenção do fabricante do sistema de A/C para obter as especificações de óleo.

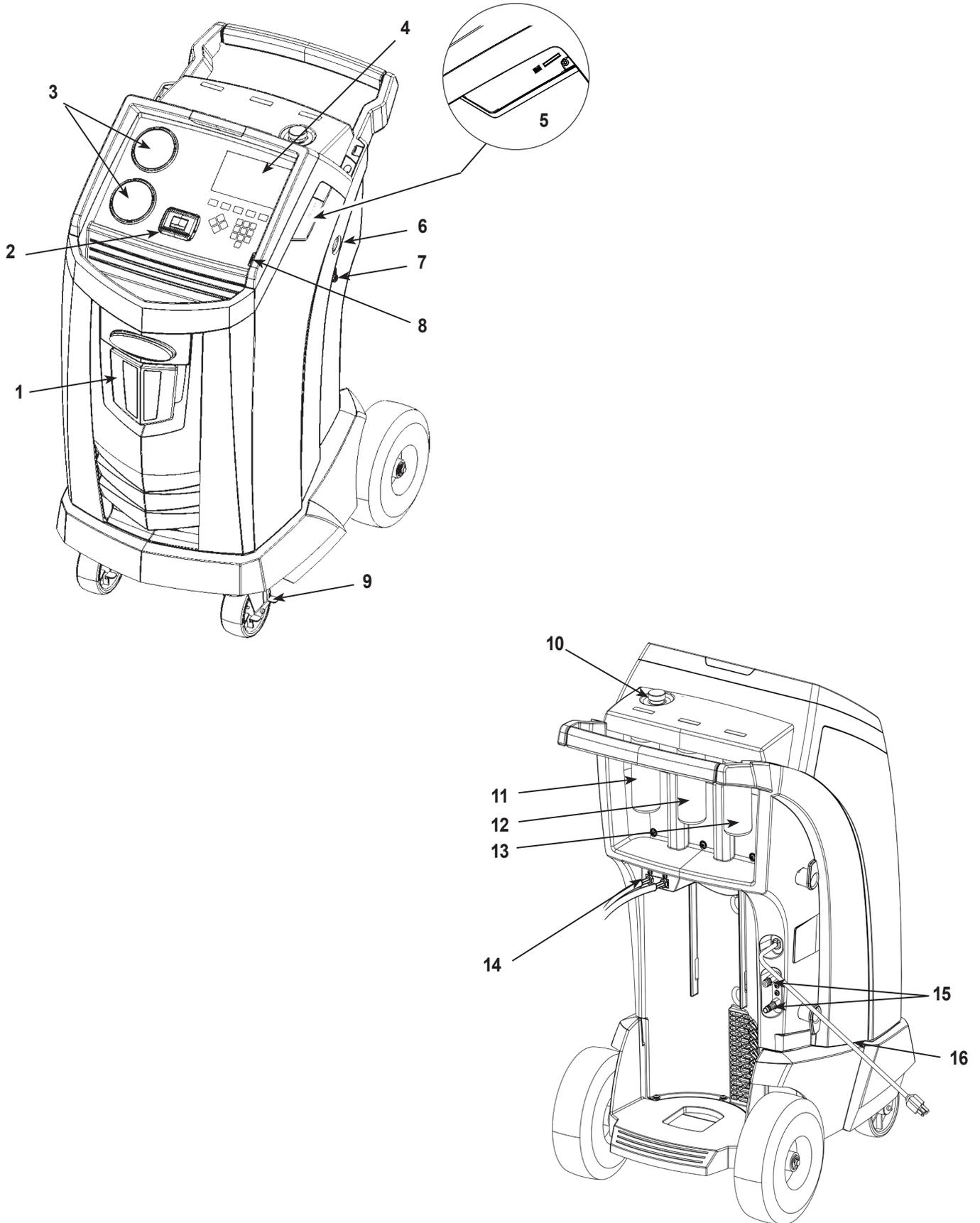


Especificações técnicas

Dimensões	107 cm × 61 cm × 76 cm
Monitor	LCD gráfico de 17,8 cm (7 pol.)
Filtro	68 kg (150 lb)
Umidade	32,2 °C (90 °F), 80% UR sem condensação
Manômetro	Ø 100 mm (3.9 pol.)
Pressão máxima	27 bar (390 PSI)
Ruído	<70 dB(A)
Tensão nominal	
34988NI	115 V, 60 Hz
34988NI-230	230V, 50/60 Hz
Capacidade do frasco de óleo	355 ml (12 oz)
Temperatura de operação	10 °C a 50 °C (50 °F a 122 °F)
Consumo de energia	1380 VA
Deslocamento do ar livre da bomba de vácuo	
.....	1,5 CFM (42 l/min) em 60 Hz
.....	1,25 CFM (35 l/min) em 50 Hz
Mangueiras de serviço	250 cm/SAE J2196
Capacidade do tanque	10 kg (22 lb)
Peso	73 kg (161 lb)

Introdução

Recursos



Item N°	Descrição
1	Frasco de drenagem de óleo
2	Impressora
3	Manômetros do coletor do lado de baixa (azul) e do lado de alta (vermelho)
4	Teclado e monitor gráfico
5	Conexões de USB e de cartão SD; (vista detalhada mostrada sem a tampa de proteção)
6	Visor de óleo da bomba de vácuo
7	Conexão de dreno de óleo da bomba de vácuo
8	Chave liga/desliga
9	Trava da roda
10	Tampa e orifício de abastecimento de óleo da bomba de vácuo
11	Frasco de injeção de óleo 1
12	Frasco de injeção de óleo 2
13	Frasco de injeção de corante UV
14	Mangueiras de serviço
15	Orifícios de armazenamento da mangueira de serviço
16	Cabo de alimentação

Introdução

Funções do painel de controle

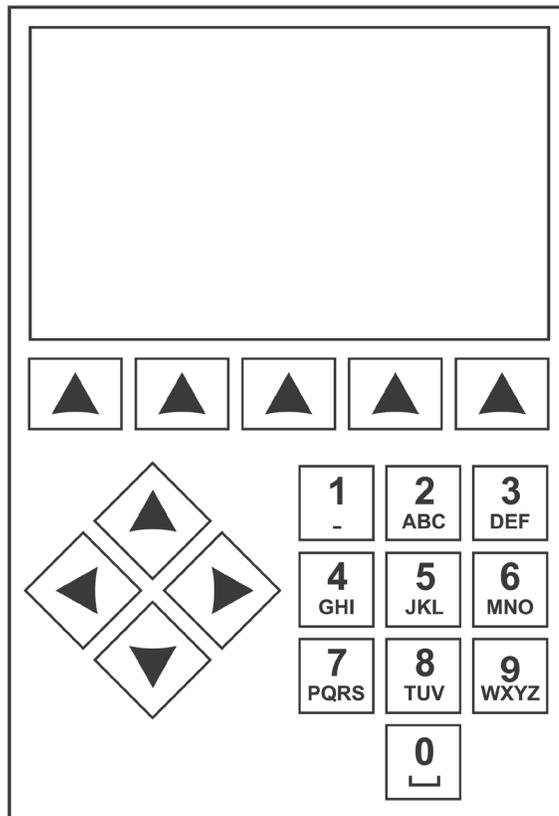
SETA PARA CIMA destaca o item anterior.

DESTAQUES DE SETA PARA BAIXO destaca o item seguinte.

SETA PARA A DIREITA rola para a próxima tela.

SETA PARA A ESQUERDA rola para a tela anterior.

SETAS DE SELEÇÃO fazem uma seleção ou respondem a uma consulta.



Teclado do painel de controle

Legenda de ícones



ÍCONE DE AUTOMÁTICO

Pressionar a tecla abaixo deste ícone inicia o processo automático de recuperação, vácuo e carga de fluido refrigerante.



ÍCONE DE RECUPERAÇÃO

Pressionar a tecla abaixo deste ícone inicia o processo de recuperação de fluido refrigerante.



ÍCONE DE VÁCUO

Pressionar a tecla abaixo deste ícone inicia o processo de vácuo do sistema.



ÍCONE DE CARGA

Pressionar a tecla abaixo deste ícone inicia o processo de carga de fluido refrigerante.



ÍCONE DE PRÓXIMO/AVANÇAR

Pressionar a tecla abaixo deste ícone, acessará opções de seleção de menu adicionais ou uma etapa adicional em uma função ou um processo.



ÍCONE DE VOLTAR

Pressionar a tecla abaixo deste ícone, retorna às opções de seleção de menu vistas anteriormente ou à tela anterior dentro de uma função ou um processo.



ÍCONE DE AJUDA

Pressionar a tecla abaixo deste ícone fornece ajuda e informações correspondentes à tela atual e/ou à função que está sendo visualizada ou executada.



ÍCONE DE BANCO DE DADOS

Pressionar a tecla abaixo deste ícone inicia o processo de recuperação do banco de dados do veículo.



ÍCONE MENU DE CONFIGURAÇÃO

Pressionar a tecla abaixo deste ícone abre o menu de configuração.



ÍCONE DE SIM/ACEITAR

Pressionar a tecla abaixo deste ícone confirma todas as escolhas feitas na tela atual e avança para a próxima etapa da função.



ÍCONE DE NÃO/FECHAR

Pressionar a tecla abaixo deste ícone rejeita todas as escolhas feitas na tela atual e retorna à etapa anterior da função ou ao menu principal.



ÍCONE DE TENTAR NOVAMENTE

Pressionar a tecla abaixo deste ícone tenta novamente o processo ou a função atual.



ÍCONE DE SELEÇÃO DE VIA DE CARGA

Pressionar a tecla abaixo deste ícone passa o caminho desejado da carga de fluido refrigerante para o lado de alta, o lado de baixa ou ambos os lados.



ÍCONE DE SELEÇÃO DE FRASCO DE INJEÇÃO DE ÓLEO

Pressionar a tecla abaixo deste ícone alterna o frasco que será utilizado para injetar óleo durante a carga seguinte.



ÍCONE DE LIGA/DESLIGA

Pressionar a tecla abaixo deste ícone liga ou desliga a função destacada conforme desejado.



ÍCONE DE BACKSPACE

Pressionar a tecla abaixo deste ícone exclui um caractere de texto à esquerda da seleção atual.



ÍCONE DE PAUSA

Pressionar a tecla abaixo deste ícone pausa o processo atual.



ÍCONE DE RETOMAR

Pressionar a tecla abaixo deste ícone retoma um processo que foi pausado.



ÍCONE DE IMPRIMIR

Pressionar a tecla abaixo deste ícone imprime um resumo correspondente ao processo concluído atual.



ÍCONE DE EXCLUIR

Pressionar a tecla abaixo deste ícone exclui uma entrada selecionada da memória da máquina.



ÍCONES DE ALTERAR UNIDADES



Pressionar a tecla abaixo de um destes ícones alterna a unidade de medida do campo de entrada atual.

Introdução

Funções do menu de configuração

Acesse as funções a seguir pressionando a tecla de Menu e selecionando Configuração.

Verif calibração (Verificação da calibração)

Use para verificar a calibração da balança interna. Consulte Verificação da calibração na seção Manutenção deste manual do usuário.

Edit cab imp (Edição do cabeçalho de impressão)

Informações sobre programas que aparecem na impressão sempre que uma função de impressão for usada.

Manut filt (Manutenção do filtro)

O filtro remove ácido, particulados e umidade do fluido refrigerante. Para atender os requisitos, é preciso substituir o filtro depois de filtração de 68 kg (150 lb) de fluido refrigerante.

Este item de menu exibe a capacidade do filtro restante até a máquina travar e não funcionar mais. Consulte Manutenção do filtro na seção Manutenção.

Desc mang (Descarga das mangueiras)

Lava o óleo residual das mangueiras de serviço da máquina para se preparar para o serviço do próximo veículo.

Menu Produção

Somente para uso da produção da Robinair.

Manutenção bomba (Manutenção da bomba)

Exibe o tempo restante até que a próxima troca do óleo da bomba de vácuo seja necessária. Para obter o máximo desempenho da bomba de vácuo, troque o óleo da bomba de vácuo sempre que o filtro for substituído. Consulte Troca de óleo da bomba de vácuo na seção Manutenção.

Gestão de refrigerante (Gestão de fluido refrigerante)

Mostra a quantidade de fluido refrigerante recuperada, carregada e reabastecida (durante a vida útil da máquina) e filtrada desde a última troca de filtro.

Nome frasc óleo (Nomear frasco de óleo)

As designações de frasco de injeção de óleo padrão são Óleo 1 e Óleo 2. Esta função permite que o usuário renomeie cada frasco para especificar o tipo de óleo/a viscosidade.

Selec idioma (Selecionar idioma)

Selecione um idioma para os avisos na tela. Inglês é o idioma padrão.

Menu serviço

Somente para uso do centro de serviço da Robinair.

Selec unids (Selecionar unidades)

Programe a máquina para exibir as unidades de medida em quilogramas ou libras. A exibição padrão é quilogramas.

Data e hora

Programe a data e a hora atuais da máquina.

Desc sistema (Descarga do sistema)

Fornece um método de remoção de óleo forçando fluido refrigerante através de um sistema de A/C ou de componentes de um sistema de A/C. Após lavar, o fluido refrigerante é recuperado pela máquina e filtrado pelo circuito de reciclagem.

Info do sistema (Informações do sistema)

Exibe o nível de revisão do software na máquina.

En tq (Enchimento do tanque)

Use este item do menu Configuração para transferir fluido refrigerante de um tanque de origem para o ISV. O valor de enchimento do tanque pode ser ajustado para mais ou para menos para se adaptar às necessidades do usuário. Consulte Enchimento do tanque na seção Manutenção.

Ativação unid (Ativação da unidade)

Não registrar e ativar a máquina no prazo de 30 dias a contar da partida inicial fará com que a máquina seja bloqueada e deixe de funcionar. Selecione este item do menu Configuração e siga as instruções antes de o período de avaliação expirar.

Ver dados serviço (Visualizar dados de serviço)

Exibe informações sobre o veículo que foram inseridas na tela Inserir dados de serviço. Os veículos são exibidos por data de serviço e número de VIN. O banco de dados armazena 25 entradas de VIN.

Equalizar mang (Equalização da mangueira)

Use este item do menu Configuração para recuperar o fluido refrigerante das mangueiras de serviço de volta para o sistema de A/C do veículo. Este item é útil após executar diagnósticos que não exijam a recuperação do sistema de A/C na máquina RRR. O usuário será avisado para conectar a mangueira de serviço do lado baixo no orifício adequado e iniciar o sistema de A/C do veículo no máximo.

Desembalagem da máquina

1. Remova as cintas da caixa.
2. Remova a dobra interna superior do papelão, a bandeja de polpa moldada e as cantoneiras de reforço.
3. Remova o rótulo da dobra interna no fundo do papelão.
4. Role a unidade cuidadosamente para a frente e para fora do palete, evitando choques repentinos contra a máquina.

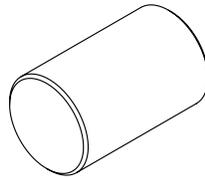


ATENÇÃO: Para evitar acidente pessoal durante o trabalho com o fluido refrigerante, leia e siga as instruções e os avisos neste manual e use equipamento de proteção individual, como óculos e luvas.

Desembalagem do kit de acessórios

Retire o kit de acessórios da caixa e remova a embalagem plástica.

Peso de verificação
da calibração
533 g (1.18 lb)



Bolsa contendo um cartão de garantia a ser preenchido e enviado por correio, SDSs, informações da EPA (autoridade competente de proteção ambiental), informações da MACS e uma lista de centros de serviço.

Ativação da máquina

1. Desenrole o cabo de alimentação elétrica da alça e conecte-o a uma tomada aterrada com a tensão correta.
2. Posicione a máquina de forma que o plugue e a chave liga/desliga estejam facilmente acessíveis para o operador. Verifique se a ventilação na parte traseira da máquina não está obstruída.
3. Bloqueie as rodas dianteiras.
4. Alterne a chave liga/desliga no painel de controle para ligar a máquina.

A máquina inicia no modo de configuração inicial.

Configuração inicial

Selecionar idioma

O operador seleciona o idioma para as exibições de aviso na tela. Inglês é o idioma padrão.

1. Use a tecla de direção **PARA CIMA** ou **PARA BAIXO** para percorrer os idiomas disponíveis uma linha de cada vez.
2. Selecione ✓ para definir o idioma selecionado.

Observação: Para atualizar um idioma existente ou adicionar um novo idioma, consulte Carregar idioma na seção Manutenção deste manual.

Selecionar unidades

O operador ajusta as unidades de medida do monitor. O padrão é métrico.

3. Use a tecla de **SETA PARA CIMA** ou **SETA PARA BAIXO** para selecionar unidades imperiais ou métricas.
4. Selecione ✓ para escolher a unidade de medida exibida.

Definir data e hora

Use as teclas de direção para mover o cursor. Use o teclado para modificar as informações exibidas.

5. Utilize as teclas de **SETA PARA CIMA** e **SETA PARA BAIXO** para selecionar o item que será alterado: dia, mês, ano ou hora. Selecione **I/O** para selecionar AM ou PM.
6. Use a interface multitoque no teclado numérico para modificar as informações.
7. Selecione ✓ para salvar.

Edição do cabeçalho de impressão

Esta máquina pode armazenar informações sobre recuperação, vácuo, carga e descarga de até 25 veículos. As informações carregadas em Editar cabeçalho de impressão aparecerão em cada impressão.

1. Digite o texto usando as setas e a interface multitoque no teclado numérico:
 - A **SETA PARA A ESQUERDA** e tecla **X** funcionam como tecla backspace.
 - A **SETA PARA A DIREITA** move o cursor para a direita.
 - **0 (ZERO)** funciona como uma barra de espaços quando pressionado duas vezes.
 - As **SETAS PARA CIMA** e **PARA BAIXO** navegam entre as linhas.
2. Selecione ✓ para salvar/sair da função; selecione **X** para retornar à plataforma anterior sem salvar os dados.

Vácuo de serviço

Neste ponto, a máquina limpa a sua tubulação interna antes de prosseguir com a configuração.

1. Verifique o visor do nível de óleo da bomba de vácuo e verifique se o nível de óleo está no centro do visor.
2. Quando solicitado, conecte as mangueiras de serviço da máquina aos orifícios de armazenamento, conforme mostrado na Figura 1. Selecione ►► para continuar.
3. A máquina inicia um vácuo de 5 minutos e automaticamente começa o próximo processo de configuração após terminar.

Ajuste da meta de enchimento básico

Esta máquina tem um recurso de enchimento de tanque básico. Um recipiente de armazenamento externo pode ser conectado à máquina (usando a mangueira de enchimento preta do tanque) para que o reservatório de armazenamento interno seja completado de forma contínua e automática. Ao retirar fluido refrigerante do reservatório de armazenamento externo conectado, a máquina periodicamente carrega o tanque de ISV até a meta de enchimento desejada.

Usando as setas e o teclado numérico, insira a meta de enchimento desejada (a quantidade padrão é 4,54 kg).

Enchimento do tanque

Este procedimento transfere fluido refrigerante de um tanque de origem para o reservatório de armazenamento interno (ISV) da máquina. A capacidade máxima do ISV é 10 kg (22 lb). Use as teclas de direção para mover o cursor e o teclado para inserir um valor.

1. A máquina exibe campos para a quantidade desejada de enchimento do tanque, a capacidade de carga e a quantidade de fluido refrigerante recuperável (capacidade de recuperação) dentro do reservatório de armazenamento interno. Insira a quantidade desejada de enchimento do tanque.

Observação: Adicione pelo menos 3,6 kg de fluido refrigerante para garantir que a quantidade disponível para carregamento seja suficiente.

2. Conecte a mangueira de enchimento do tanque (preta) ao conector de líquido no tanque de origem.
3. Abra a válvula do tanque de origem.
4. Posicione o tanque de origem de modo que o fluido refrigerante seja fornecido para a conexão.



ATENÇÃO: Para evitar acidente pessoal durante o trabalho com o fluido refrigerante, leia e siga as instruções e os avisos neste manual e use equipamento de proteção individual, como óculos e luvas.

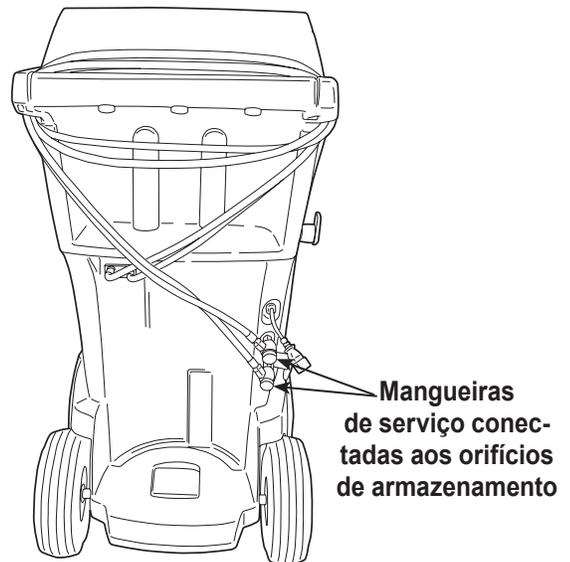


Figura 1

Observação:

Capacidade de carga: a quantidade de fluido refrigerante no ISV que pode ser carregada no sistema de A/C de um veículo.

Capacidade de recuperação: a quantidade de fluido refrigerante adicional que pode ser recuperada no ISV.

Configuração inicial

5. Selecione ✓ para iniciar o processo de enchimento do tanque. A máquina começa a encher o ISV (reservatório de armazenamento interno). Adicione pelo menos 3,6 kg de fluido refrigerante para garantir que a quantidade disponível para carregamento seja suficiente. Este processo leva de 15 a 20 minutos.
6. A máquina para quando a quantidade de fluido refrigerante designada foi transferida para o ISV ou quando o tanque de origem está vazio. Siga as mensagens na tela do monitor.
7. Feche a válvula do tanque de origem.
8. Selecione ✓ para voltar para o menu Configuração.

A máquina está pronta para operação.

Observação:

- *Não há necessidade de calibrar a balança, que vem calibrada de fábrica.*
- *Quando o processo de enchimento do tanque está concluído, o visor não mostra a mesma quantidade do nível de enchimento programado.*

O visor mostra o volume de fluido refrigerante disponível para o carregamento, aproximadamente 0,67 kg (1.4 lb) a menos do que a quantidade total de fluido refrigerante no tanque.

Ativação da unidade

Não registrar e ativar a máquina no prazo de 30 dias a contar da partida inicial fará com que a máquina seja bloqueada e deixe de funcionar.

1. Selecione Ativação da unidade no menu Configuração.
A máquina exhibe

XX dias restantes período teste
p/ ativar unid
Ativar?

2. Selecione para iniciar o processo de ativação. A máquina exhibe

Ativação produto

Código prod pessoal:
xxxxxxxxxxx

Ent cód:

3. Abra um navegador da web em um computador pessoal e digite <https://register.servicesolutionsportal.com>.
4. Insira o nome de usuário e a senha e faça login no site.
Observação: Se estiver entrando pela primeira vez, selecione REGISTER (REGISTRAR) para criar um nome de usuário e senha.
5. No computador pessoal, digite o código de produto pessoal da máquina na caixa da chave de ativação do produto no site para receber um código de ativação.
6. Na máquina, insira o código de ativação no campo correto.
Observação: Digite o código exatamente como recebido. É necessário considerar a capitalização.
7. Registre o código de ativação em um pedaço de papel e guarde em um lugar seguro. Selecione .
8. A máquina exhibe

Ativação bem-sucedida.

Selecione . A máquina foi ativada.

Instruções de operação

Inserção de dados de serviço

Depois de selecionar qualquer função de serviço, as informações sobre o veículo podem ser inseridas e armazenadas no banco de dados da máquina.

A máquina exibe

Intr. datos servic novos

1. Selecione ✓ para inserir um novo registro ou role para selecionar um veículo atendido anteriormente e depois selecione ✓. A seleção realizada estará em vermelho. A máquina exibe

Entrar dados serv

VIN: _____

Km: _____

Fab: _____

Model: _____

2. Use as teclas de direção para passar de uma linha para a outra e o teclado multitoque para inserir texto.

As informações inseridas nesta tela são armazenadas por data e VIN (número de identificação do veículo). O banco de dados armazena as últimas 25 entradas, sendo que a mais recente aparece no topo da lista.

As informações também serão exibidas nas impressões do resumo de serviço.



Recuperação de fluido refrigerante de um veículo

1. Esvazie o frasco de drenagem de óleo antes de iniciar uma recuperação. Remova o frasco de drenagem de óleo da máquina puxando a garrafa diretamente para baixo — não faça um movimento de torção ou balanço. Reinstale o frasco de drenagem de óleo. Consulte a Figura 2.

Observação: tenha cuidado ao remover/installar o frasco de drenagem de óleo. Força excessiva pode danificar a célula de carga interna.

2. Conecte as mangueiras de serviço do lado de alta (vermelha) e do lado de baixa (azul) ao sistema de A/C do veículo.
3. Abra as válvulas do acoplador nas mangueiras girando os colares no sentido horário.
4. Selecione **RECUP**  no **MEN PRIN**.
5. A máquina acessará o formulário de entrada de dados de serviço. Insira todos os dados aplicáveis e selecione para continuar.
6. A máquina perguntará se deve registrar as pressões de diagnóstico. Selecione para continuar o processo de recuperação ou selecione para registrar as pressões operacionais do sistema de AC do veículo. Siga os avisos na tela e as especificações do manual de serviço do veículo para continuar.

A máquina começa o processo de recuperação. Um estalido indica que o solenoide está se abrindo e fechando — isso é normal.

A máquina executa um ciclo de autolimpeza para remover qualquer fluido refrigerante interno da sua tubulação interna.

A recuperação do sistema começa e inclui processo de temporização de vácuo e recuperação profunda.

Depois da recuperação, a máquina executa uma drenagem de óleo, que pode exigir até 90 segundos para ser concluída.

7. Após a conclusão da drenagem do óleo, um resumo é exibido com a quantidade total de fluido refrigerante e óleo recuperada. As informações de recuperação e de pré-diagnóstico de recuperação podem ser impressas selecionando-se . Selecione **▶▶** para voltar ao menu principal.

Observação: o peso recuperado exibido pode variar de acordo com as condições do ambiente e não deve ser usado como indicador de precisão da balança.



ATENÇÃO: Para evitar acidente pessoal durante o trabalho com o fluido refrigerante, leia e siga as instruções e os avisos neste manual e use equipamento de proteção individual, como óculos e luvas.

Observação: a quantidade de óleo removida do sistema A/C é a quantidade de óleo novo que deve ser carregada no sistema de A/C após a evacuação ser concluída.

- Use somente óleo **novo** para substituir o óleo removido durante o processo de reciclagem.
- Descarte o óleo usado em conformidade com as regulamentações governamentais.



Figura 2

Instruções de operação



Evacuação do sistema de A/C do veículo

1. Conecte as mangueiras de serviço aos orifícios de serviço do veículo.
2. Abra as válvulas do acoplador da mangueira de serviço girando os colares no sentido horário.
3. Selecione **VÁCUO** no  **MEN PRIN**.
4. Selecione Verificação de vazamento de vácuo, se desejado, para executar automaticamente uma verificação de vazamento com elevação da pressão por 5 minutos após o vácuo.
5. Selecione  para aceitar o tempo de evacuação padrão de 10 minutos ou digite o tempo de vácuo desejado usando as teclas numéricas.

Observação: o processo de vácuo irá parar se a pressão subir acima de 0,35 bar (5 psi). Recupere o fluido refrigerante antes de prosseguir.

A máquina cria um vácuo no sistema de A/C durante o tempo programado.

A máquina para assim que o intervalo de tempo especificado termina.

6. Para imprimir as informações de vácuo, selecione .
7. Selecione  para voltar ao menu principal.



ATENÇÃO: Para evitar acidente pessoal durante o trabalho com o fluido refrigerante, leia e siga as instruções e os avisos neste manual e use equipamento de proteção individual, como óculos e luvas.

Lavagem das mangueiras

Se o próximo veículo a passar por manutenção contiver um óleo de tipo diferente daquele do veículo anterior, recomenda-se lavar todo o óleo residual das mangueiras de serviço para evitar contaminação.

1. Selecione **DESC MANG** no **MENU CONFIGURAÇÃO**. A máquina exibe

Conecte mangueiras aos orifícios de armazenamento e abra as válvulas do acoplador.

2. Conecte as mangueiras de serviço às conexões dos orifícios de armazenamento da máquina conforme mostrado na Figura 3.
3. Abra as válvulas do acoplador da mangueira de serviço girando os colares no sentido horário.
4. Selecione para iniciar o processo de lavagem da mangueira, que é executado por três minutos, seguido de uma recuperação.
Quando o processo de lavagem da mangueira estiver concluído, o monitor exibirá o texto

DESC MANG
completa

5. Selecione **▶▶** para voltar para o menu Configuração.
6. Feche as válvulas do acoplador girando os colares no sentido anti-horário.

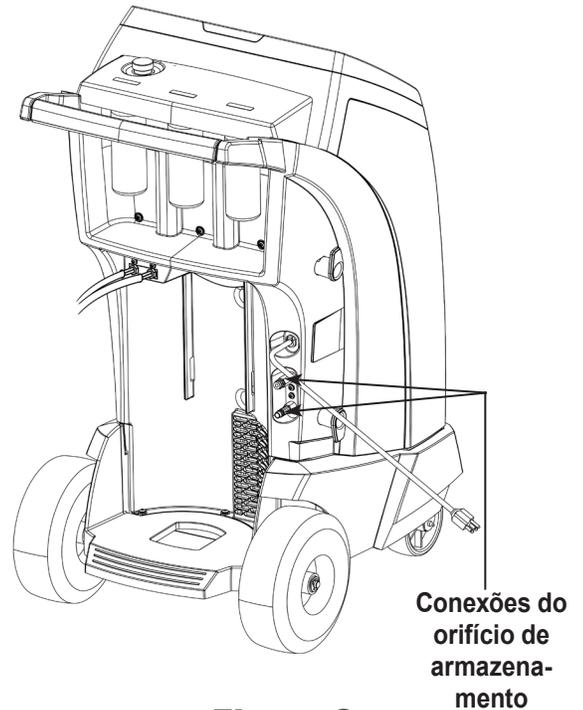
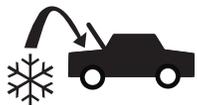


Figura 3

Instruções de operação



Recarga do sistema de A/C do veículo

1. Conecte as mangueiras de serviço às orifícios de serviço do veículo.
2. Selecione **CARGA**  no **MENU PRINCIPAL**.
3. O usuário deverá inserir os dados de serviço. Quando terminar, selecione  para continuar. O mostrador exibirá

Carga: XX,XXX kg	no Lado Alto
Qtd óleo: XXX ml	Frasco: XX
Inj corant: S/N	
Qtd Carga Min 10 g	

4. Use as teclas de direção e o teclado numérico para digitar a quantidade de carga desejada. Selecione **kg|lbs|oz** para alterar as unidades.
5. Usando as teclas de direção, vá até a seleção da via de carga. O padrão é o lado de alta. Para alterar, selecione **H|S|L** no painel de controle. Isso permite que o usuário alterne entre vias de carga alta, baixa e de ambos os lados. A seleção atual é indicada no monitor.
6. O óleo também pode ser injetado no sistema durante a carga. Use o teclado numérico para inserir a quantidade desejada de óleo injetado. Selecione **m|oz** para alterar as unidades. Se desejado, selecione **S** para injeção de corante. Isso adicionará cerca de 7 ml (0.25 oz) de corante UV à carga. Verifique se há óleo disponível no frasco de injeção de corante/óleo localizado na traseira da máquina.
7. Selecione  para iniciar o processo de carga. Mover ou bater a máquina neste ponto pode resultar em uma carga imprecisa. Quando o ciclo de carga se aproxima do valor de peso desejado, a máquina desacelera. Ela carrega, faz um intervalo, carrega de novo, faz outro intervalo etc.
8. Quando solicitado, selecione  para realizar a equalização da mangueira. Selecione  para fazer a compensação da mangueira.

Observação: a equalização da mangueira exige que o usuário dê partida no veículo. A compensação da mangueira adiciona uma quantidade predefinida de fluido refrigerante ao gráfico para compensar o volume da mangueira de serviço.
9. Quando a tela **CARGA CONCLUÍDA** aparece, ela inclui um resumo dos resultados de carga. Selecione  para imprimir o resumo. Selecione  para começar a desobstruir as mangueiras de serviço.
10. O usuário deverá fechar as válvulas do acoplador e desconectar as mangueiras do veículo. Selecione  para recuperar qualquer fluido refrigerante que restar nas mangueiras. Assim que a limpeza da mangueira for concluída, a máquina retornará para o menu principal.

Agora, o sistema de A/C do veículo está pronto para uso.



ATENÇÃO: Para evitar acidente pessoal durante o trabalho com o fluido refrigerante, leia e siga as instruções e os avisos neste manual e use equipamento de proteção individual, como óculos e luvas.

Observação: o processo de carga varia de veículo para veículo. A função de carga para os veículos equipados com uma conexão de serviço único deve ser feita manualmente. Consulte o manual de serviço do veículo para obter instruções específicas.

CUIDADO: Se as válvulas do acoplador do lado de baixa (azul) ou do lado de alta (vermelho) ficarem abertas durante o processo de limpeza da mangueira, o sistema extrairá o fluido refrigerante para fora do veículo.



Função automática

A função **AUTOMÁTICA** permite que o usuário execute uma sequência de recuperação automática, vácuo, teste de vazamento e/ou carga. Uma sequência automática pode levar até uma hora para ser concluída.

1. Conecte as mangueiras de serviço do lado de alta (vermelha) e do lado de baixa (azul) ao sistema de A/C.
2. Abra as válvulas do acoplador da mangueira de serviço girando os colares no sentido horário.
3. Selecione **AUTOM**  no **MENU PRINCIPAL**. O monitor exibe:

Tempo vác: XX:XX
Test vaz vác: LG
Carga: XX,XXX kg no Lado Alto
Ól adic: XXX ml Frasco: XX
Inj corant: S/N
tempo vácuo min é 1 sec

4. Use o teclado numérico para inserir o período de vácuo desejado.
5. Usando as teclas de direção, avance para baixo para escolher se executa um teste de vazamento de vácuo ou não. A configuração padrão é LIGADO. Para alternar, selecione **I/O** no painel de controle.
6. Usando a tecla de direção para baixo, vá até o campo de entrada "quantidade de carga". Use as teclas de direção e o teclado numérico para inserir a quantidade de carga desejada. Selecione **kg|lbs|oz** para alterar as unidades.
7. Usando as teclas de direção, vá até a "seleção da via de carga". O padrão é o lado de alta. Para alterar, selecione **HSL** no painel de controle. Isso permite que o usuário alterne entre vias de carga alta, baixa e de ambos os lados. O texto no monitor mudará para a seleção atual.
8. Usando as teclas de direção, vá até o campo de entrada "óleo adicional". Use o teclado numérico para inserir a quantidade desejada de injeção de óleo adicional. Selecione **ml|oz** para alterar as unidades. Se desejado, selecione **S** para injeção de corante. Isso adicionará cerca de 7 ml (0.25 oz) de corante UV à carga. Verifique se há óleo disponível no frasco de injeção de corante/óleo localizado na traseira da máquina.

Observação: a quantidade de óleo adicional especificada é acrescentada à quantidade recuperada. Se não for especificado nenhum óleo adicional, a máquina injetará a mesma quantidade de óleo que foi recuperada (somente modo automático).

9. Selecione  para iniciar o ciclo **AUTOM**. A unidade passará automaticamente por todas as funções aplicáveis: **RECUP**, **VÁC** e **CARGA**. Se o veículo em manutenção já tiver sido submetido a um procedimento de recuperação e vácuo, a máquina executará apenas uma **CARGA**.
10. Quando a tela **CONCLUÍDO AUTOMAT** aparece, ela inclui um resumo dos resultados de carga. Selecione  para imprimir o resumo. Selecione  para continuar.
11. O usuário deverá fechar as válvulas do acoplador e desconectar as mangueiras do veículo. Selecione  para recuperar qualquer fluido refrigerante que restar nas mangueiras. Assim que a limpeza for concluída, a máquina retornará para o menu principal.

Agora, o sistema de A/C do veículo está pronto para uso.

Observações:

- a função de **CARGA** para veículos equipados com uma conexão de serviço único deve ser realizada manualmente de acordo com os procedimentos no manual de serviço do fabricante do veículo.
- Se não for feita **RECUPERAÇÃO**, a quantidade de óleo a ser injetada pode ser inserida durante a programação das informações de **CARGA**.
- Se houver problemas durante a sequência automática, um alerta de áudio soará três vezes. A sequência permanece pausada até que o usuário digite uma decisão sobre como proceder.

Instruções de operação

Lavagem do sistema

A função de **DESC SISTEMA** é feita usando um adaptador de lavagem aprovado pelo fabricante do veículo. Consulte as instruções incluídas com o adaptador durante a execução das etapas a seguir.

1. Verifique se o filtro do lavador e o filtrador não estão entupidos.
2. Monte o lavador na traseira da máquina.
3. Remova o frasco de drenagem de óleo (consulte a Figura 4) da máquina Robinair. Esvazie o frasco de óleo e descarte o óleo de acordo com os regulamentos aplicáveis. Reinstale o frasco de drenagem de óleo na máquina.
4. Recupere todos os fluidos refrigerantes do sistema a ser lavado.
5. Anote a quantidade de óleo coletada durante a recuperação. Essa quantidade deve ser recolocada, bem como todo o óleo coletado durante a lavagem.

Observação: a quantidade de óleo coletada e registrada durante a lavagem do sistema não inclui a quantidade de óleo coletada durante a recuperação inicial.

6. Verifique se há pelo menos 6,0 kg (13.2 lb) de fluido refrigerante na máquina. A máquina não conseguirá fazer uma lavagem do sistema sem pelo menos 6,0 kg de fluido refrigerante no ISV.

Observação: se a máquina não tiver pelo menos 6,0 kg (13.2 lb) de fluido refrigerante, consulte a seção deste manual denominada Enchimento do tanque.

7. Desconecte a máquina do veículo.
8. Consulte o manual de serviço do veículo e ligue os adaptadores e desvios de lavagem apropriados.
9. Conecte a mangueira de serviço do lado de baixa (azul) diretamente ao filtro do kit de lavagem.
10. Remova o acoplador de serviço do lado de alta (vermelho) e conecte a mangueira de serviço do lado de alta (vermelha) ao adaptador da linha de sucção do sistema .
11. Use a mangueira fornecida para conectar o adaptador de descarga do sistema à entrada do lavador.
12. Conecte as mangueiras de acordo com as instruções incluídas no kit de lavagem.



ATENÇÃO: Para evitar acidente pessoal durante o trabalho com o fluido refrigerante, leia e siga as instruções e os avisos neste manual e use equipamento de proteção individual, como óculos e luvas.



Figura 4

13. Selecione **DESC SISTEMA** no **MENU CONFIGURAÇÃO**. A unidade solicitará a entrada de dados de serviço, se desejado. Selecione ✓ para continuar o processo de lavagem do sistema. O usuário pode ser solicitado a inserir um tempo de lavagem total dependendo do processo de lavagem que for ativado.

A máquina entrará automaticamente no processo de **VÁCUO** e fará um teste de vazamento.

Assim que o vácuo e os testes de vazamento forem concluídos, a unidade iniciará o processo de lavagem do sistema efetivo, seguido de uma drenagem de óleo.

14. A tela Lavagem Terminada inclui um resumo dos resultados de lavagem do sistema. Selecione  para imprimir o resumo. Selecione ►► para voltar para o **MENU CONFIGURAÇÃO**.

O sistema de A/C do veículo foi lavado.

⚠ ATENÇÃO: NÃO desconecte os acopladores de serviço durante o processo de lavagem. O fluido refrigerante pode espirrar para fora das conexões e a exposição pode causar um acidente pessoal.

CUIDADO: O kit de lavagem tem um filtro substituível e um filtrador de detritos que podem ficar entupidos. No final do ciclo de lavagem, verifique o medidor de pressão do sistema do lado de alta (vermelho) e verifique se o adaptador removeu o fluido refrigerante completamente.

Se houver pressão ou fluido refrigerante, saia do ciclo de lavagem e entre no modo de recuperação para recuperar o fluido refrigerante através das mangueiras do lado de alta (vermelha) e do lado de baixa (azul). Em seguida, faça manutenção dos filtros e repita o processo de lavagem.

Manutenção

Programação de manutenção

Tarefa de manutenção	Intervalo recomendado
Troca do filtro	Após a filtragem de 68 kg (150 lb) de fluido refrigerante. Consulte Manutenção do filtro na seção Manutenção deste manual.
Troca do óleo da bomba de vácuo	Quando o filtro for substituído. Consulte Troca do óleo da bomba de vácuo na seção Manutenção deste manual.
Verificação dos rodízios e rodas para ver se a operação é fácil	Mensalmente.
Verificação da calibração da balança interna	Mensalmente. Consulte Verificação da calibração na seção Manutenção deste manual.
Verificação da existência de vazamentos na máquina	Mensalmente. Verifique se há vazamento nas mangueiras e conexões. Desconecte a alimentação, remova a cobertura e use um detector de vazamento eletrônico para verificar as conexões.
Limpeza do painel da saída de fluxo de ar (consulte Figura 5)	Mensalmente. Use um pano limpo.
Limpeza do gabinete e do painel de controle	Mensalmente. Use um pano limpo.
Inspeção do cabo de alimentação e das mangueiras para ver se há cortes ou abrasões	Diariamente.
Lubrificação dos rolamentos das rodas e inspeção dos componentes do freio	Mensalmente.
Teste de pressão	A cada dez anos. Realizado por um centro de serviço autorizado Robinair.

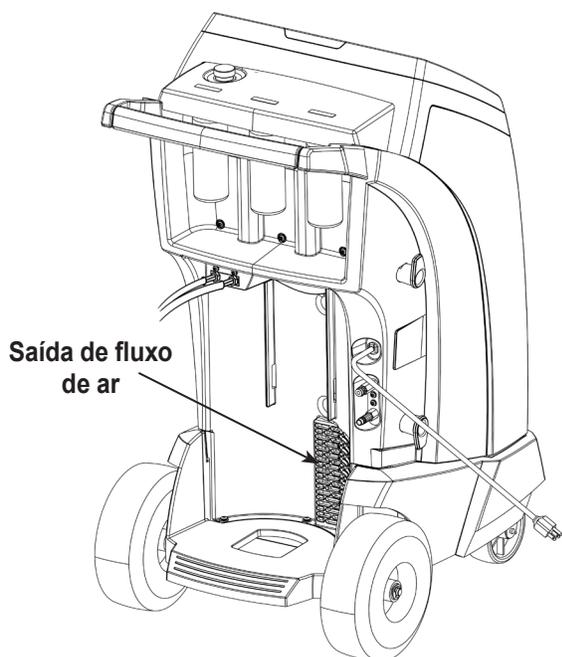


Figura 5

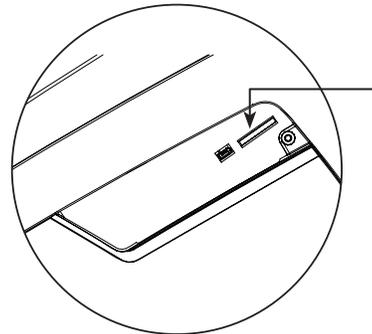


ATENÇÃO: Para evitar acidentes pessoais, apenas pessoal qualificado pode efetuar inspeções e reparos nesta máquina. Leia e siga as instruções e os avisos neste manual e use equipamento de proteção individual, como óculos e luvas.

Carregamento do idioma

Use as instruções a seguir para adicionar ou atualizar um idioma a partir de um cartão SD.

1. Escolha **SELEC IDIOMA** no **MENU CONFIGURAÇÃO**.
2. Use as teclas de direção para percorrer o menu até **CARG NOV**. Selecione ✓.
3. Insira o cartão SD contendo os dados de idioma no painel lateral da máquina. Consulte a Figura 6.
4. Siga os avisos para escolher o idioma a ser carregado ou atualizado. Se for carregar um novo idioma, é necessário selecionar qual idioma será substituído.



Insira o cartão SD contendo idiomas novos ou atualizados.

Figura 6

Manutenção

Ajuste da meta de enchimento básico

Esta máquina tem um recurso de enchimento de tanque básico. Um recipiente de armazenamento externo pode ser conectado à máquina (usando a mangueira de enchimento preta do tanque) para que o reservatório de armazenamento interno seja completado de forma contínua e automática. Ao retirar fluido refrigerante do reservatório de armazenamento externo conectado, a máquina periodicamente carrega o tanque de ISV até a meta de enchimento desejada.

1. Para escolher a meta de enchimento de fluido refrigerante da máquina, selecione **AJUSTE META ENCH SEG PLANO** no **MENU CONFIGURAÇÃO**.
2. Usando as setas e o teclado numérico, insira a meta de enchimento desejada. Selecione ✓ para salvar o novo valor e sair. Selecione ✗ para sair e continuar usando a quantidade inserida anteriormente.

Enchimento do tanque

Este item do menu é usado para transferir fluido refrigerante de um tanque de origem para o ISV.

A capacidade máxima do reservatório de armazenamento interno (ISV) é de 10 kg. Use as teclas de direção para mover o cursor e o teclado para inserir um valor. Observação: Adicione pelo menos 3,6 kg de fluido refrigerante para garantir que a quantidade disponível para carregamento seja suficiente.

1. Conecte a mangueira de enchimento do tanque (preta) ao conector de líquido de um tanque de origem cheio.
2. Posicione o tanque de origem de modo que o fluido refrigerante seja fornecido para a conexão. Abra a válvula do tanque de origem.
3. Selecione o **EN TQ** no **MENU CONFIGURAÇÃO**. A máquina exibe

En tq
Qtde ench: XX,XXY
Capacid carga: XX,XXYY
Recup capacidade: XX,XXYY

4. Insira a quantidade a ser recuperada e selecione ✓. Adicione pelo menos 3,6 kg de fluido refrigerante para garantir que a quantidade disponível para carregamento seja suficiente.
5. A máquina começa a encher o ISV e para automaticamente quando o nível predefinido de enchimento do tanque é atingido. Para interromper o enchimento do tanque antes de atingir o nível predefinido, selecione ✓. O monitor mostrará uma opção para sair.
6. Assim que terminar, remova a mangueira do tanque de origem.



ATENÇÃO: Para evitar acidente pessoal durante o trabalho com o fluido refrigerante, leia e siga as instruções e os avisos neste manual e use equipamento de proteção individual, como óculos e luvas.

Manutenção do filtro

O filtro foi projetado para reter ácido e particulados e remover umidade do fluido refrigerante. Para cumprir as regras de remoção adequada de umidade e contaminantes, o filtro deve ser substituído após a filtração de 68 kg (150 lb) de fluido refrigerante.

A unidade emite um aviso para substituir o filtro quando a capacidade do filtro atinge 57 kg (125 lb). Quando a capacidade do filtro atinge 68 kg (150 lb), a unidade é bloqueada e deixa de funcionar.

Verificação da capacidade restante do filtro

1. Selecione **MANUT FILT** no **MENU CONFIGURAÇÃO** ou quando a máquina solicitar. A máquina exibe

Capacid filtro restante: XXX,XO kg
Trocar filtro?

A máquina exibe o valor da capacidade restante do filtro até que a máquina seja bloqueada.

2. Selecione ✓ para alterar o filtro; selecione ✗ para retomar a utilização da máquina.

⚠ ATENÇÃO: os componentes da máquina estão sob alta pressão. Para evitar acidente pessoal, troque o filtro somente quando a máquina solicitar.

Cuidado: para evitar danos ao equipamento, use somente filtros autênticos Robinair n° 34724 nesta máquina. Todos os testes de desempenho e as reclamações são baseados no uso deste filtro específico.

Manutenção

Substituição do filtro

1. Se ✓ for selecionado trocar o filtro, a máquina solicitará a inserção do novo código do filtro.

Insira o número de série do novo filtro

Use o teclado para inserir o número de série que aparece no novo filtro e selecione ✓ para continuar.

Observação: Se "número de série inválido" for exibido, é possível que o número de série tenha sido digitado incorretamente ou o filtro já tenha sido utilizado nesta máquina.

2. A máquina apaga o filtro existente e exibe:

Número de série aceito
Desligue e troque o filtro

Desligue a máquina. Remova o frasco de óleo. Remova os quatro parafusos que fixam a cobertura. Consulte a Figura 7.

3. Pendure a cobertura na parte traseira da máquina como mostrado na Figura 8.
4. Remova o filtro girando-o no sentido anti-horário (conforme visualizado da parte inferior do filtro).
5. Observe o novo filtro. Verifique se os anéis O-ring estão lubrificados e corretamente localizados nos sulcos.
6. Instale o novo filtro rosqueando-o no sentido horário no lugar. Verifique se o filtro está posicionado corretamente, como mostrado na Figura 8. Aperte o filtro com 20 Nm.
7. Ligue a máquina. A operação Troca do óleo da bomba de vácuo iniciará e o monitor exibirá

Aquec óleo p/dreno XX:XX

Consulte "Troca do óleo da bomba de vácuo" na página 30 para obter mais informações.

A máquina iniciará então a operação Verificação de vazamento. Consulte "Verificação de vazamento" na página 31 para obter mais informações.

Cuidado: Para evitar danos ao equipamento, use somente autênticos Robinair No. 34724 filtros nesta máquina. Todos os testes de desempenho e reivindicações são baseadas em usar este filtro específico.

Remova os quatro parafusos que fixam a cobertura.

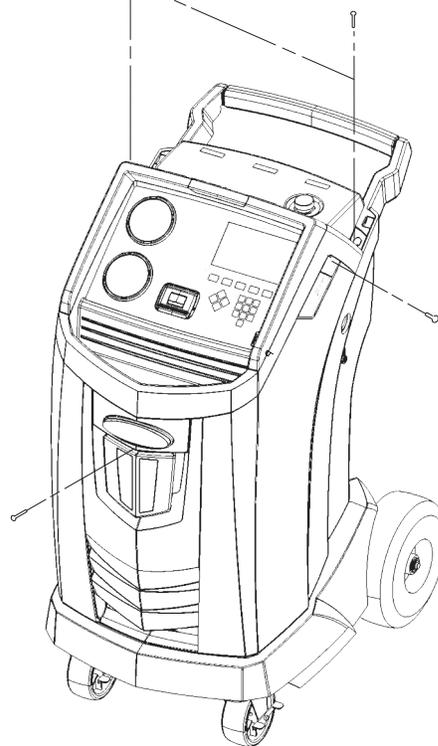


Figura 7

Pendure a cobertura aqui

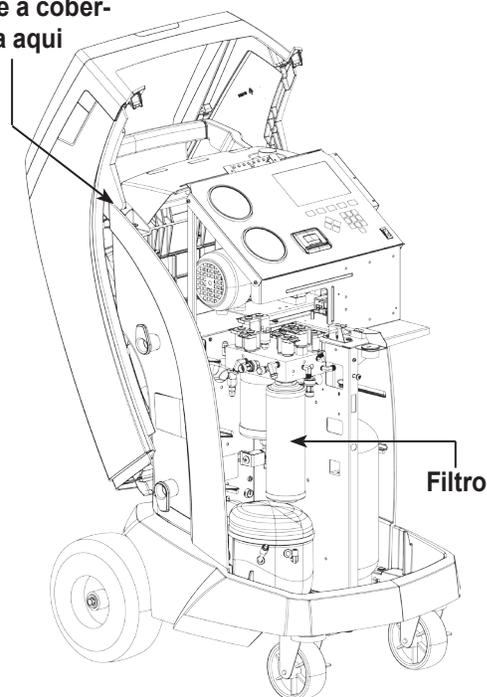


Figura 8

Verificação da calibração

Esta função é usada para garantir que a balança interna da máquina esteja sempre calibrada. Durante este teste, use somente o peso de calibração fornecido com a máquina.

1. Consulte a Figura 9 e verifique se o ímã na parte inferior da máquina está limpo.
2. Selecione **VERIF CALIBRAÇÃO** no **MENU CONFIGURAÇÃO**. A máquina exibe

Pôr o peso de calibração no ímã na parte inferior da unidade

3. Fixe o peso de calibração no ímã na parte inferior da máquina. Selecione ✓ para continuar.
4. A máquina exibe

Remover o peso de calibração do ímã na parte inferior da unidade

Remova o peso de calibração do ímã. Selecione ✓ para continuar.

- Se o monitor mostrar

Verificação da calibração OK

a balança está calibrada. Selecione ►► para voltar para o menu Configuração.

- Se o monitor mostrar

Verif calib falh
Repr?

a balança está fora de calibração. Para tentar novamente, selecione ↺. Se a calibração continuar falhando, entre em contato com um centro de serviço autorizado Robinair para obter assistência.

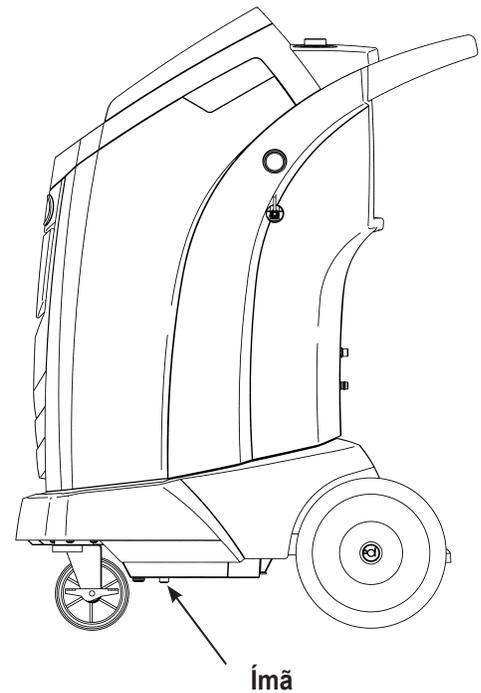


Figura 9

Manutenção

Troca do óleo da bomba de vácuo

1. Selecione **MANUTENÇÃO BOMBA** no **MENU CONFIGURAÇÃO** ou quando solicitado. O monitor mostra por quanto tempo a bomba de vácuo operou desde a última troca de óleo.

Vida útil do óleo restante

XXX:XX (hhh:mm)

Trocar o óleo agora?

2. Selecione para trocar o óleo da bomba de vácuo. Se a máquina exibir

Aquec óleo p/dreno

XX:XX

deixe que a bomba de vácuo funcione por dois minutos para aquecer o óleo. Se o óleo já estiver quente, o monitor exibe

Drene o óleo usado da bomba

e substitua por 150 ml de óleo novo

Remova a tampa de enchimento para acelerar a drenagem do óleo

3. Abra a tampa de enchimento de óleo lentamente para verificar se não há nenhuma pressão na máquina. Em seguida, remova a tampa cuidadosamente. Consulte a Figura 10.
4. Remova a tampa da conexão de dreno de óleo e drene o óleo para dentro de um recipiente adequado para descarte. Recoloque a tampa e feche firmemente. Selecione **▶▶** para continuar.
5. A máquina exibe

Encha a bomba de vácuo até o centro do visor

Repor tampa abast

Adicione lentamente o óleo da bomba de vácuo à bomba através do orifício de enchimento de óleo até o óleo atingir o centro do visor. Instale a tampa no orifício de enchimento de óleo e feche firmemente. Selecione **▶▶** para voltar para à tela **MENU CONFIGURAÇÃO**.

Observação: para obter o nível de óleo adequado, verifique se a máquina está em uma superfície plana e nivelada.

⚠ ATENÇÃO: para evitar acidente pessoal, **NÃO** opere a máquina em nenhum outro momento sem a tampa do orifício de enchimento de óleo instalada, já que a bomba de vácuo é pressurizada durante a operação normal.

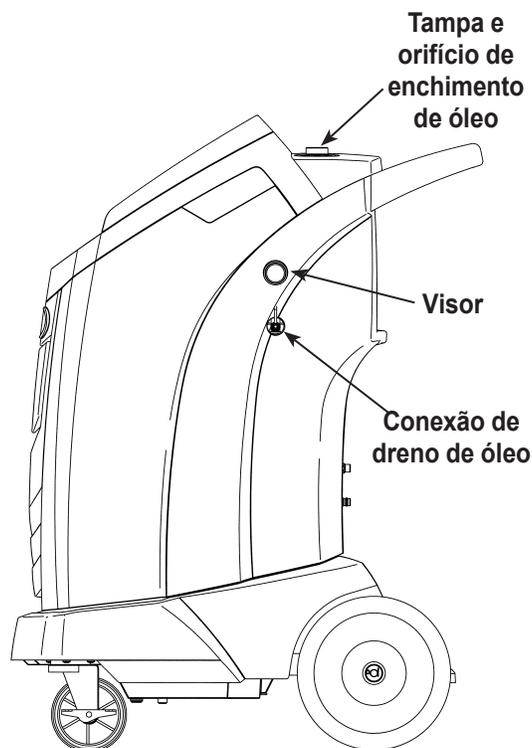


Figura 10

CUIDADO: é responsabilidade do usuário monitorar o nível e a limpeza do óleo da bomba de vácuo. Se o óleo contaminado não for removido da bomba de vácuo e substituído, a bomba de vácuo será danificada permanentemente.

Verificação de vazamento

Um teste de vazamento pode ser executado na máquina a qualquer momento. Durante este teste, os componentes que contêm fluido refrigerante são pressurizados e monitorados para ver se há decaimento da pressão, o que poderia indicar um vazamento.

1. Selecione **VERIF VAZ** no **MENU CONFIGURAÇÃO**. A máquina exibe

Conectar mang serv portas armazenamento e abrir válv acoplador

2. Conecte os acopladores da mangueira de serviço aos orifícios de armazenamento na parte traseira da máquina. Abra os acopladores girando os colares no sentido horário.
3. Selecione para iniciar. A máquina executa uma autorrecuperação e exibe

Recuperando

A máquina executa um teste de vácuo de 30 segundos e exibe

Verif vaz vác

Se o teste de vácuo falhar, a máquina solicitará a verificação de vazamentos.

Assim que a máquina passa no teste de vácuo, uma pressão controlada é aplicada em seus componentes internos. A máquina exibe

Verif vaz press

A pressão é mantida por cinco minutos e o seu decaimento é monitorado. O monitor mostra uma contagem regressiva de minutos e segundos.

- Se for detectado um nível aceitável de decaimento da pressão, a máquina recuperará fluido refrigerante e retornará para o menu Configuração, pronta para operação normal.
- Se for detectado um decaimento da pressão inaceitável, a máquina solicitará uma verificação de vazamento. Leve a máquina a um centro de serviço autorizado Robinair para o reparo.



ATENÇÃO: Para evitar acidente pessoal durante o trabalho com o fluido refrigerante, leia e siga as instruções e os avisos neste manual e use equipamento de proteção individual, como óculos e luvas.



ATENÇÃO: para evitar acidente pessoal no caso de a máquina exigir transporte para um centro de serviço Robinair local, siga as regulamentações governamentais locais para transporte de equipamentos que contêm R-134a.

Edição do cabeçalho de impressão

Para fazer alterações no texto que aparece nesta tela:

1. Selecione **EDIT CAB IMP** no **MENU CONFIGURAÇÃO**.
2. O cursor está no primeiro campo. Atualize o texto usando as setas e a interface multitoque no teclado numérico:
 - **SETA PARA A ESQUERDA** e **X** funcionam como uma tecla backspace.
 - A **SETA PARA A DIREITA** move o cursor para a direita.
 - A tecla **ZERO (0)** funciona como uma barra de espaços.
 - As **SETAS PARA CIMA** e **PARA BAIXO** navegam entre as linhas.
3. Selecione **✓** para salvar as alterações e voltar para o menu Configuração; selecione **X** para retornar ao cabeçalho anterior e ir para o menu Configuração.

Substituição do papel da impressora

Para instalar um novo rolo de papel na impressora:

1. Remova a tampa da impressora puxando a aba como mostrado na Figura 11.
2. Remova o núcleo de papel.
3. Instale o novo rolo de papel com a extremidade do papel na parte superior do rolo.
4. Monte a tampa na impressora com a borda de saída do papel sobre o cilindro.

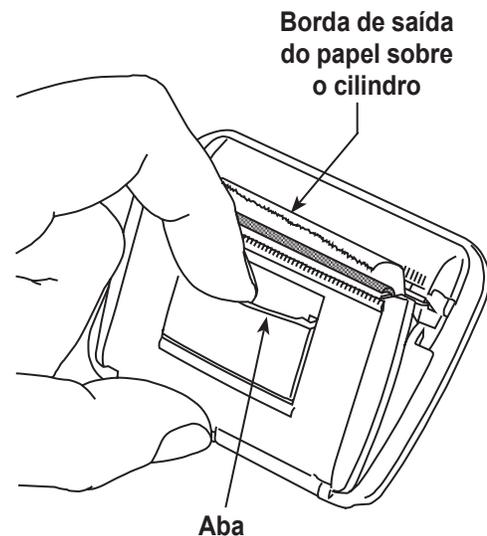


Figura 11

Peças de reposição

Componente	Nº da peça de reposição
Peso de calibração	16214
Filtro	34724
Frasco de drenagem de óleo	19100
Frasco de injeção de corante/óleo	19103
Impressora	30038
Papel para impressora (3 rolos)	34214
Acoplador de serviço LP	18190A
Acoplador de serviço HP	18191A
Conjunto de acoplador de serviço (acopladores do lado de alta [vermelho] e do lado de baixa [azul])	18192
Conjunto de mangueira sem acopladores (lado de alta [vermelho] e lado de baixa [azul])	71789
Mangueira de serviço sem acoplador (lado de baixa, azul)	70020
Mangueira de serviço sem acoplador (lado de alta, vermelho)	70021
Óleo da bomba de vácuo (pint)	13119
Óleo da bomba de vácuo (quarto)	13203
Óleo da bomba de vácuo (galão)	13204
Tampa contra poeira de vinil (opcional)	17499



ATENÇÃO: para evitar acidente pessoal, use apenas as peças de reparo mencionadas nesta lista de peças. Os itens desta lista de peças foram cuidadosamente testados e selecionados pela Robinair.

Glossário

Sistema de A/C : sistema do ar-condicionado do veículo em manutenção.

Evacuação : umidade e outros elementos não condensáveis são removidos de um sistema de A/C por uma bomba de vácuo.

Reservatório de armazenamento interno (ISV) : o tanque de armazenagem de fluido refrigerante recarregável projetado especificamente para esta máquina; capacidade de 10 kg (22 lb).

Teste de vazamento (vácuo) : os componentes com fluido refrigerante são evacuados e monitorados para ver se há elevação da pressão, o que poderia indicar um vazamento.

Máquina : o modelo nº 34988NI.

Verificação de vazamento : os componentes com fluido refrigerante são pressurizados e monitorados para ver se há decaimento da pressão, o que poderia indicar um vazamento.

Recuperação/Reciclagem : o fluido refrigerante de um sistema de A/C é recuperado, filtrado e armazenado no ISV.

Fluido refrigerante : R-134a.

Solução de problemas

Monitor	Causa	Solução
VERIF CALIBRAÇÃO FALHOU	A balança interna está fora de calibração.	Selecione  para repetir a verificação da calibração. Se a calibração continuar falhando, saia do teste atual e entre em contato com um centro de serviço autorizado Robinair para fazer o reparo.
CARGA PAROU	O fluido refrigerante está parado no ISV ou na máquina.	Verifique se as conexões estão firmes e válvulas estão na posição correta.
B DADOS INDIS	A máquina não foi fornecida com a base de dados instalada.	Entre em contato com um centro de serviço autorizado Robinair para obter mais informações.
PESO TANQUE EXCESSO	O circuito de segurança de transbordo disparou. A máquina está bloqueada por causa de excesso de fluido refrigerante no ISV.	Entre em contato com um centro de serviço autorizado Robinair para obter mais informações.
CAPAC FILTRO ESGOTADA FILTRO DEVE SER TROCADO FILTRADO:XXX.XYY TROCAR FILTRO?	68 kg (150 lb) ou mais de fluido refrigerante foram recuperados desde a última troca do filtro.	Consulte a seção Manutenção do filtro deste manual para obter instruções de como alterar o filtro.
PRES TANQUE ALTA	A máquina está bloqueada porque a pressão no ISV está muito elevada, possivelmente por excesso de temperatura do tanque.	Deixe a máquina esfriar antes de executar o serviço de A/C adicional. Se o problema persistir, entre em contato com um centro de serviço autorizado Robinair para obter mais informações.
PUREZA REFRIG REPROVADA.	O fluido refrigerante testado não é R-134a ou está contaminado.	Não recupere fluido refrigerante contaminado na máquina; use uma máquina de recuperação de fluido refrigerante externa exclusiva para o fluido refrigerante contaminado.
PRESSÃO DE ENTRADA MUITO ALTA PARA VÁCUO	Antes que a máquina comece a evacuar o sistema de A/C, ela verifica se a pressão no sistema pode danificar a bomba de vácuo. Neste caso, a pressão do sistema está acima de 0,35 bar no medidor.	Selecione  . Consulte a seção Recuperação deste manual para recuperar o fluido refrigerante antes de prosseguir.
QUANTIDADE DE ÓLEO INSUFICIENTE PARA INJETAR	O frasco de injeção de óleo selecionado pode não conter óleo suficiente para concluir a injeção.	Encha o frasco, reinsira a quantidade de óleo ou continue a carga sem injeção de óleo.

Solução de problemas

Monitor	Causa	Solução
REFRIGERANTE INSUFICIENTE 6,00 KG NECESSÁRIOS PARA LAVAGEM DO SISTEMA	Sem fluido refrigerante suficiente no ISV para executar uma lavagem do sistema.	Consulte <i>Enchimento do tanque</i> na seção <i>Manutenção</i> deste manual.
REFRIGERANTE INSUFICIENTE DISPONÍVEL PARA CARGA SELECIONADO: XX.XXYY DISPONÍVEL: XX.XXYY	Após inserir o peso desejado, se o processo de carga deixar sobrar menos de 0,67 kg (1.4 lb) de fluido refrigerante no ISV, a função de carga não começará.	Consulte <i>Enchimento do tanque</i> na seção <i>Manutenção</i> deste manual.
CÓDIGO INVÁLIDO	O código de ativação inserido na máquina não está correto.	Verifique se o código de ativação foi inserido exatamente como recebido. É necessário considerar a capitalização.
Nº DE SÉRIE INVÁLIDO!	O número de série de filtro inserido na máquina não está correto.	Verifique se o número de série inserido corresponde ao número de série no filtro. Verifique se o filtro não foi usado na máquina anteriormente.
TESTE VAZ REPROV	Um vazamento no sistema de A/C do veículo.	Saia do teste atual e execute os reparos no sistema de A/C do veículo.
SEM PRESSÃO NAS ENTRADAS VERIF CONEXÕES RECUPERAR?	A pressão do sistema está abaixo de 0,35 bar no medidor.	Verifique se as mangueiras do lado de alta (vermelha) e do lado de baixa (azul) estão conectadas e se as válvulas do acoplador estão abertas. Selecione  para RECUPERAR; selecione  para ignorar a recuperação e prosseguir para o VÁCUO.
DREN ÓLEO PAROU	A pressão do acumulador não subiu acima de 1,10 bar no minuto antes de um dreno de óleo previsto ocorrer.	É necessária a pressão adequada dentro do acumulador para forçar o óleo, que foi separado do fluido refrigerante, para fora do sistema. Selecione  para repetir; selecione  para sair.
VIDA ÚTIL DO ÓLEO RESTANTE XX:XXX TROCAR O ÓLEO AGORA?	O monitor mostra a vida útil restante do óleo da bomba de vácuo até que a máquina seja bloqueada.	Consulte a seção <i>Manutenção</i> deste manual para obter instruções de troca do óleo da bomba de vácuo.
PRESSÃO DO ACUMULADOR FORA DA FAIXA	O transdutor de pressão do acumulador não está lendo a pressão corretamente.	Saia do teste atual e entre em contato com um centro de serviço autorizado Robinair para obter mais informações.

Solução de problemas

Monitor	Causa	Solução
PRESSÃO DO ISV FORA DA FAIXA	O transdutor de pressão do reservatório de armazenamento interno não está lendo a pressão corretamente.	Saia do teste atual e entre em contato com um centro de serviço autorizado Robinair para obter mais informações.
TEMPERATURA DO ISV FORA DA FAIXA	O sensor de temperatura do reservatório de armazenamento interno não está lendo a temperatura corretamente.	Saia do teste atual e entre em contato com um centro de serviço autorizado Robinair para obter mais informações.
LS SENSOR PRESSÃO FORA DA FAIXA	O transdutor de pressão do lado de baixa não está lendo a pressão corretamente.	Saia do teste atual e entre em contato com um centro de serviço autorizado Robinair para obter mais informações.
FALHA NA COMUNICAÇÃO DA PLACA DE ALIMENTAÇÃO	Falha na comunicação com a placa de relés.	Desligue e ligue a energia. Se o problema persistir, entre em contato com um centro de serviço autorizado Robinair para obter mais informações.
FALHA TESTE VAZ PRESSÃO VERIF VAZ NA UNIDADE	Um vazamento no sistema de A/C do veículo.	Saia do teste atual e execute os reparos no sistema de A/C do veículo.
O NÚMERO DE SÉRIE DO FILTRO JÁ FOI USADO REPETIR OU SAIR?	O número de série de filtro inserido na máquina não está correto.	O filtro já foi utilizado nesta máquina. Obtenha um novo filtro Robinair nº 34724.
TANQUE ORIGEM VAZIO	O fluido refrigerante não pode ser transferido para o ISV porque o tanque de origem está vazio.	Saia do teste atual e substitua o tanque de origem.
TANQUE CHEIO. REMOVA REFRIG ANTES DE CONTINUAR	O ISV está muito cheio para recuperar o fluido refrigerante adicional.	Execute um processo de carga para remover fluido refrigerante do ISV antes de qualquer nova tentativa de recuperação.
PERÍODO TESTE EXPIROU PRECISA ATIVAR UNIDADE P/ CONTINUAR O USO	Não registrar e ativar a máquina no prazo de 30 dias a contar da partida inicial fará com que a máquina seja bloqueada e deixe de funcionar.	Selecione ✓ e consulte a seção Ativação da unidade neste manual para registrar a máquina.
TESTE VÁCUO FALHO VERIF VAZ SIST	Um vazamento no sistema de A/C do veículo.	Saia do teste atual e execute os reparos no sistema de A/C do veículo.

Armazenamento e transporte do equipamento

Armazenamento

Nunca deixe a máquina energizada se não houver nenhum uso imediato previsto.

1. Desconecte a máquina da rede de energia.
2. Dê duas voltas em torno da alça com as mangueiras de serviço e prenda-as aos orifícios de armazenamento. Consulte a Figura 12.
3. Armazene a máquina em uma área seca, estável, longe de chamas e superfícies quentes. A temperatura da área de armazenagem deve estar entre $-18\text{ }^{\circ}\text{C}$ e $60\text{ }^{\circ}\text{C}$ ($0\text{ }^{\circ}\text{F}$ e $140\text{ }^{\circ}\text{F}$).
4. Bloqueie as rodas dianteiras.

Transporte do equipamento

⚠ ATENÇÃO: para evitar acidente pessoal no caso de a máquina exigir transporte para um centro de serviço Robinair, siga as regulamentações governamentais locais para transporte de equipamentos que contenham R-134a.



Figura 12

Descarte de equipamento



No final da sua vida útil, descarte a máquina R-134a de acordo com os regulamentos governamentais atuais.

- A administração pública e os produtores de equipamentos elétricos/eletrônicos (EEE) trabalham para facilitar os processos de reutilização e recuperação de resíduos de equipamentos elétricos e eletrônicos por meio da organização de atividades de coleta e do uso de planejamento adequado.
- Não descarte este equipamento como resíduos sólidos municipais diversos. Providencie a coleta separada para ele. Descarte não autorizado de resíduos de equipamentos elétricos e eletrônicos é punível por lei com as sanções adequadas.
- A reutilização e a reciclagem correta de equipamentos elétricos/eletrônicos (EEE) são necessárias para a proteção do meio ambiente e o bem-estar humano.

Descarte de materiais reciclados

O usuário deverá determinar se um material é um resíduo perigoso no momento do descarte. O usuário deve garantir conformidade com todas as leis e regulamentações aplicáveis.

1. Entregue o fluido refrigerante recuperado de sistemas de A/C para os fornecedores de gás para a reciclagem ou o descarte.
2. Entregue os lubrificantes extraídos de sistemas de A/C para centros de coleta de óleo usado.
3. Consulte as leis na sua jurisdição para determinar os procedimentos de descarte correto para o óleo da bomba.

Descarte da máquina

1. Destaque e ventile o gás do circuito da máquina. Descarregue completamente o tanque de fluido refrigerante de acordo com os regulamentos atuais do governo.
2. Entregue a máquina a um centro de descarte adequado.

Descarte das baterias



No final da vida útil das baterias, descarte-as de acordo com os regulamentos governamentais atuais. As baterias devem ser recicladas ou descartadas de forma correta. Não jogue fora as baterias como parte do descarte de lixo normal.



ATENÇÃO: para evitar acidente pessoal , não jogue as pilhas em chamas abertas.

Avisos de licença de software

AVISOS DE LICENÇA DE SOFTWARE BOSCH AUTOMOTIVE SERVICE SOLUTIONS

Copyright © 2014 Robert Bosch GmbH. Todos os direitos reservados.

Bosch Automotive Service Solutions
28635 Mound Road
Warren
MI 48092
EUA

Números de telefone
EUA 800-533-6127
EMEA +49 (0) 6182 959-225

Este software Bosch Automotive Service Solutions foi lançado sob o contrato de licença de software apresentado na ativação do produto.

Todos os outros nomes de produtos ou serviços são propriedade de seus respectivos proprietários.

Trata-se de marcas registradas de suas respectivas empresas que são aqui reconhecidas.

Os seguintes avisos dizem respeito a esta licença de software Bosch Automotive Service Solutions:

1. Este produto contém as bibliotecas IAR padrão. O contrato de licença de software IAR está relacionado abaixo e está disponível em http://www.iar.com/Global/Products/Software_licenses/SLA_February_2013.pdf.

A biblioteca IAR padrão inclui software de terceiros, conforme declarado no documento de licenças de terceiros relacionado abaixo e disponível em

http://www.iar.com/Global/Products/Software_licenses/3rdpartyLicenses.html

2. Este produto contém LibTomCrypt, sendo um kit de ferramentas de criptografia bastante abrangente, modular e portátil de ferramentas que oferece aos desenvolvedores uma vasta gama publicada e reconhecida de códigos de bloco, funções de hash unidirecional, modos de encadeamento, geradores de números pseudo-aleatórios, criptografia de chave pública e muitas outras rotinas. <http://www.libtom.org>. A LibTomCrypt é de domínio público. Como todos software de qualidade devem ser. Tom St Denis
3. Este produto contém software Freescale como parte do microcontrolador Freescale BSP. Consulte os acordos de licença do semicondutor Freescale para acessar os termos de utilização relacionados abaixo e disponíveis em

<https://www.freescale.com/webapp/sps/download/license>.

[jsp?colCode=DL-MQX-CX&prodCode=MQX&appType=file2&location=null&DOWNLOAD_ID=null&fsrch=1&sr=1&pageNum=1&Parent_nodId=&Parent_pageType](https://www.freescale.com/webapp/sps/download/license.jsp?colCode=DL-MQX-CX&prodCode=MQX&appType=file2&location=null&DOWNLOAD_ID=null&fsrch=1&sr=1&pageNum=1&Parent_nodId=&Parent_pageType)

Contrato de licença de software IAR

Relativo aos produtos: IAR Embedded Workbench® e visualSTATE® da IAR Systems AB

PREÂMBULO

ESTE CONTRATO DE LICENÇA DE SOFTWARE ("O CONTRATO") APLICA-SE AOS PRODUTOS LICENCIADOS PELA IAR SYSTEMS AB, INCLUINDO QUALQUER UMA DE SUAS SUBSIDIÁRIAS ("IAR SYSTEMS") OU DISTRIBUIDORAS ("DISTRIBUIDORAS DA IAR"), A VOCÊ ("LICENCIADO").

A confirmação do pedido pela IAR Systems ou, quando aplicável, o contrato entre a IAR Systems e o Licenciado, definirá, para além do produto licenciado aplicável e da taxa de licença (que também será indicada na fatura), a) se a licença em questão é uma licença individual por computador ou multiusuário, b) no caso de uma licença multiusuário, o número permitido de usuários simultâneos, c) se a licença inclui um serviço de suporte e atualização por tempo limitado e, nesses casos, a data de expiração de tais serviços. Qualquer abertura de um pacote no qual esses termos tenham sido declarados ou referidos e qualquer uso do software da IAR Systems estão sujeitos a estes termos e condições.

VOCÊ, COMO USUÁRIO DOS PRODUTOS LICENCIADOS INDICADOS ACIMA E NA FATURA, VINCULARÁ A EMPRESA OU ORGANIZAÇÃO IGUALMENTE DEFINIDOS NA FATURA AO PRESENTE ACORDO AO ABRIR UM PACOTE OU INSTALAR UM SOFTWARE NO QUAL O PRESENTE ACORDO TENHA SIDO DECLARADO OU MENCIONADO. SE NÃO ESTIVER DE ACORDO COM OS TERMOS DESTES CONTRATO OU NÃO TIVER AUTORIDADE PARA VINCULAR SUA EMPRESA OU ORGANIZAÇÃO A ESTES TERMOS, VOCÊ DEVERÁ ENTRAR EM CONTATO IMEDIATAMENTE COM A IAR SYSTEMS E NÃO PODERÁ INSTALAR NENHUM SOFTWARE OU FAZER USO DE QUAISQUER PEÇAS DO PRODUTO.

1. DEFINIÇÕES

Os termos a seguir têm os significados definidos abaixo sempre que forem utilizados neste Contrato:

1.1 **"Software executável"** significa uma cópia da versão do código executável do(s) programa(s) de software(s) incluído(s) no pacote fechado ou especificado(s) no presente Contrato ou na Fatura (incluindo qualquer módulo de tempo de vinculação e tempo de execução), juntamente com modelos e outras instruções e quaisquer atualizações, revisões e módulos e modelos adicionais de software (se houver) que o licenciado possa receber da IAR Systems nos termos deste instrumento a qualquer momento.

1.2 **"Código-fonte de software"** tem o significado definido na seção 3.7.

1.3 **"Software"** é um termo coletivo para software executável e código-fonte do software conforme definido acima.

1.4 **"Documentação"** significa uma cópia da documentação, conforme fornecida pelo IAR Systems juntamente com o software licenciado para uso pelo Licenciado.

1.5 **"Produto"** significa o software e a documentação fornecidos para o licenciado sob as condições deste Contrato.

1.6 **"Fatura"** significa a fatura da IAR Systems ou da Distribuidora da IAR ao Licenciado para a licença do produto concedida nos termos deste instrumento.

1.7 **"Licença individual por computador"** tem o significado definido na seção 3.2.

1.8 **"Licença móvel"** tem o significado definido na seção 3.3.

1.9 **"Licença multiusuário"** tem os significados definidos na seção 3.4.

1.10 **"Licença de rede"** tem os significados definidos na seção 3.5.

1.11 **"Licença de rede global"** tem os significados definidos na seção 3.6.

1.12 **"Usuários simultâneos"** tem o significado definido na seção 3.7.

1.13 **"Licença comutável"** tem o significado definido na seção 3.8.

1.14 **"Licença de avaliação"** tem o significado definido na seção 3.12.

1.15 **"Local"** significa as instalações físicas do Licenciado dentro dos limites de uma cidade.

1.16 **"Arquitetura de destino"** significa a família ou o grupo de dispositivos microcontroladores e microprocessadores pertencentes a uma arquitetura de processador, conforme definido pelo seu conjunto de instruções e tal como especificado na fatura.

1.17 **"Serviços de suporte e atualização"** significa os serviços definidos na seção 12.

2. VIGÊNCIA DO CONTRATO

2.1 O presente Contrato entrará em vigor o mais tardar no recebimento do software pelo Licenciado e permanecerá em vigor por um período de tempo indeterminado, sujeito aos termos e condições definidos abaixo – em especial o direito da IAR Systems de rescindir o Contrato em caso de violação pelo Licenciado. O registro do Licenciado como usuário legítimo dos produtos licenciados deve ser efetuado em conformidade com as instruções aplicáveis da IAR Systems.

2.2 Para evitar dúvidas: Os termos do Contrato também entraram em vigor para softwares entregues com uma chave de licença temporária (para alguns produtos, denominada chave de início rápido) permitindo o uso por um período de tempo limitado, incluindo, entre outros, os seus termos de pagamento e restrições de uso, no ato de recebimento do software pelo Licenciado, independentemente de o registro ter sido feito ou não. (Licenças de avaliação sem a obrigação de pagar as taxas de licença estão disponíveis na medida em que forem proporcionadas separadamente pela IAR Systems.)

3. PROPRIEDADE E CONCESSÃO DA LICENÇA

3.1 A IAR Systems detém os direitos autorais, segredos comerciais e quaisquer outros direitos de propriedade intelectual que subsistam no produto licenciado e em todas as cópias dele. Nenhum título ou outros direitos no produto licenciado (exceto direitos expressamente concedidos neste documento) passam para o Licenciado.

O PRODUTO É LICENCIADO, NÃO VENDIDO, AO LICENCIADO PARA USO SOMENTE NOS TERMOS DESTES CONTRATO. O LICENCIADO RECONHECE QUE O PRODUTO CONSISTE EM PRODUTOS PATENTEADOS,

Contrato de licença de software IAR

INÉDITOS DA IAR SYSTEMS, PROTEGIDOS POR LEIS INTERNACIONAIS DE DIREITOS AUTORAIS E SEGREDOS COMERCIAIS.

3.2 Licença individual por computador: na medida em que a licença concedida aplicável for uma licença individual por computador, aplicam-se os termos em 3.2.a e 3.2.b.

Uma licença individual por computador é uma licença de usuário única, restrita ao computador no qual o software está instalado.

3.2. De acordo com os termos e condições deste Contrato, por meio deste instrumento, a IAR Systems concede ao Licenciado uma licença individual por computador pessoal, intransferível e não exclusiva para usar o software. O número de usuários autorizados do software do Licenciado na licença individual por computador, se houver mais de um, é indicado na fatura ou por escrito pela IAR Systems.

3.2.b Licença individual por computador pode ser utilizada pelo Licenciado apenas em uma única unidade de computador autossuficiente (fixa ou portátil), designada pelo seu número de IP ou outros meios de identificação. A troca do computador designado para outro computador único para transferir a licença pode ser autorizada por meio de um programa de transferência fornecido pela IAR Systems no sistema de gerenciamento de licenças. O software não pode ser acessado por usuários de outras unidades de computador diferentes da unidade designada nesta cláusula; por meio de modem, Internet ou qualquer outro meio de rede ou acesso remoto.

3.3 Licença móvel: na medida em que a licença concedida aplicável for uma licença móvel, aplicam-se os termos em 3.3.a e 3.3.b.

Uma licença móvel vem com um bloqueio de hardware (dongle). Um bloqueio de hardware é um dispositivo conectado a uma das portas externas do computador que permite que o Licenciado mova a licença para outro computador. O bloqueio de hardware é parte do pacote do produto somente se for pedido expressamente.

3.3. De acordo com os termos e condições deste Contrato, por meio deste, a IAR Systems concede ao Licenciado uma licença móvel pessoal, intransferível e não exclusiva para usar o software. O número de usuários autorizados do software do Licenciado na licença móvel, se houver mais de um, é indicado na fatura ou por escrito pela IAR Systems.

3.3.b A licença móvel pode ser utilizada pelo Licenciado apenas para um usuário, mas permite trocar o computador designado por outro computador individual utilizando um bloqueio de hardware. O software não pode ser acessado por usuários de outras unidades de computador diferentes da unidade designada nesta cláusula; por meio de modem, Internet ou qualquer outro meio de rede ou acesso remoto.

3.4 Licença multiusuário: na medida em que a licença de produto concedida for uma licença multiusuário, aplicam-se os termos em 3.4.

De acordo com os termos e condições deste Contrato, por meio deste, a IAR Systems concede ao Licenciado uma licença multiusuário pessoal, intransferível e não exclusiva para usar o software. O número de usuários autorizados do software do Licenciado na licença multiusuário, se houver mais de um, é indicado na fatura ou por escrito pela IAR Systems ou pelas Distribuidoras da IAR.

3.5 Uma licença de rede é uma licença multiusuário, localizada em um único servidor de licenças designadas e usada por vários usuários em uma rede e em um único local. A licença de rede está restrita ao computador onde o software do servidor de licenças é executado ou a um bloqueio de hardware (dongle). O uso de um bloqueio de hardware permite mover a licença de rede para outro computador servidor, em caso de falha do servidor. A licença de rede pode ser usada em todos os computadores cliente na rede onde o software está instalado. No entanto, a licença de rede é feita para um número máximo de usuários simultâneos.

3.6 Uma **licença de rede global** é uma licença multiusuário, localizada em um servidor de licenças e usada por vários usuários em uma rede que pode ser acessada de vários locais globalmente. A licença de rede global está restrita ao computador onde o software do servidor de licenças é executado ou a um bloqueio de hardware (dongle). O uso de um bloqueio de hardware permite mover a licença de rede global para outro computador servidor, em caso de falha do servidor. A licença de rede global pode ser usada em todos os computadores cliente na rede onde o software está instalado. No entanto, a licença de rede global é feita para um número máximo de usuários simultâneos.

3.7 Usuários simultâneos: para produtos que sejam softwares executáveis e licenciados como licenças de rede, a definição de simultaneidade é dada pelo software do servidor de licenças, que também controla o número de usuários atuais. A sessão de um usuário de software executável é sempre de no mínimo trinta (30) minutos, considerando-se que ela durará por mais trinta (30) minutos após a última ativação de licença pelo servidor de licenças. Para produtos com código-fonte do software, o software será considerado em uso (simultâneo) em um computador quando for carregado na memória temporária (ou seja, RAM) ou instalado na memória permanente (por exemplo, disco rígido, CD-ROM ou outro dispositivo de armazenamento) do computador.

3.8 Licença comutável: para produtos lançados em 2012 e posteriormente com um novo sistema de gerenciamento de licenças (LMS), é concedida uma licença comutável. A licença comutável permite a utilização temporária de uma licença de rede de um computador pessoal não conectado à rede por até 15 dias. A licença comutável permite o uso do produto fora do local designado.

3.9 Licença de código-fonte: se o Licenciado do produto receber, por este instrumento, os módulos de software ou componentes no formato de código-fonte ("código-fonte do software"), aplica-se o seguinte ao código-fonte do software, além de todas as outras disposições deste Contrato:

Contrato de licença de software IAR

O Licenciado pode usar esse Código-fonte do software apenas em conjunto com o produto e o código-fonte do software ou quaisquer trabalhos derivados deles. O Código-fonte do software somente pode ser compilado e vinculado com produtos da IAR Systems e apenas em conformidade com as disposições dessa utilização definidas na documentação e/ou neste Contrato. É estritamente proibido ao Licenciado fazer qualquer outro uso do código-fonte do software. Qualquer violação desta seção 3.9 deve ser considerada uma violação relevante deste Contrato.

O LICENCIADO RECONHECE QUE O CÓDIGO-FONTE DO SOFTWARE INCLUI INFORMAÇÕES PROTEGIDAS POR DIREITOS AUTORAIS E PATENTEADAS PELA IAR SYSTEMS E QUE DISPONIBILIZAR O CÓDIGO-FONTE DO SOFTWARE A OUTROS FORA DO ÂMBITO DESTES CONTRATOS, PELA NATUREZA DO CÓDIGO-FONTE, CONSTITUI UMA VIOLAÇÃO SEVERA DOS DIREITOS DE PROPRIEDADE INTELECTUAL DA IAR SYSTEMS E CONCORDA EM INDENIZAR A IAR POR TODOS OS DANOS RESULTANTES DE TAL VIOLAÇÃO, QUE POSSAM SER RAZOAVELMENTE JUSTIFICADOS PELA IAR.

O Licenciado deve manter e proteger o Código-fonte do software com no mínimo o mesmo grau de cuidado quanto seu próprio código-fonte proprietário, como especificado na seção 5.

3.10 Se o produto recebido pelo Licenciado nos termos deste instrumento contiver software de propriedade de terceiros, o uso desse software de propriedade de terceiros pode estar restrito a uma arquitetura-alvo específica. Consulte a seção 11.2 abaixo.

3.11 Cópias de backup: o Licenciado pode fazer cópias de backup do software em forma de código executável em máquina, apenas para ser utilizado em caso e na medida em que a cópia do software recebido da IAR Systems falhar, for perdida, danificada ou destruída. O Licenciado garante que não fará outras cópias do software e não permitirá, autorizará ou ajudará outros a copiarem qualquer parte ou todo o software de nenhuma forma sem a aprovação prévia e por escrito da IAR Systems. Não pode haver mais cópias do que necessário para criar um ciclo de back-up razoável para o Licenciado. As cópias de backup do software podem ser conservadas pelo Licenciado em um depósito bancário ou outro lugar seguro usado normalmente pelo Licenciado para armazenar seus backups de programas de computador. Os direitos do Licenciado de acordo com esta seção de modo algum incluirão medidas para afetar ou reduzir a função de proteção do software incluída no software.

3.12 Uma **licença de avaliação** destina-se apenas a fins de teste e avaliação. Qualquer outra utilização além de teste e avaliação é proibida. A IAR Systems não tem nenhuma obrigação de oferecer suporte ou serviços relacionados e quaisquer garantias. EM NENHUM CASO A IAR SYSTEMS SERÁ RESPONSÁVEL PERANTE A OUTRA PARTE POR QUALQUER INDENIZAÇÃO DIRETA, INDIRETA, INCIDENTAL, ESPECIAL, POR DANO INDIRETO, PUNITIVA OU DE RESPONSABILIDADE CÍVIL DE QUALQUER NATUREZA OU ESPÉCIE, INCLUINDO, ENTRE OUTROS, LUCROS CESSANTES, EM VIRTUDE OU DECORRÊNCIA DO USO OU DESEMPENHO DO SOFTWARE, DE MATERIAIS DE SUPORTE OU DA PRESTAÇÃO DE SERVIÇOS, MESMO SE A OUTRA PARTE TIVER SIDO AVISADA DA POSSIBILIDADE DE TAIS INDENIZAÇÕES.

A seção 11 deste contrato de licença de software pode se aplicar também a uma licença de avaliação.

4. RESTRIÇÕES DA LICENÇA

4.1 O Licenciado não pode remover, imitar, fazer engenharia reversa, descompilar ou desmontar o software executável. O Licenciado não pode derivar a fonte ou código da montagem dos arquivos fornecidos em formato executável ou de objeto. O Licenciado concorda que todas as informações obtidas sobre o Software são de propriedade intelectual valiosa da IAR Systems e como tais devem ser tratadas como confidenciais, conforme descrito no artigo 5. O Licenciado garante que não irá vender, licenciar, locar, alugar, emprestar, transmitir, colocar em rede, comunicar ou distribuir ou transferir o software de qualquer forma a terceiros a título permanente ou temporário, exceto conforme declarado expressamente neste Contrato. Além disso, o Licenciado garante que não utilizará ou autorizará a utilização (incluindo, entre outros, o compartilhamento por tempo ou o uso em rede) do software em benefício de qualquer outra entidade além do Licenciado; ou em um negócio de serviços de informática; não fará cópias não autorizadas da documentação; não fará traduções verbais ou de mídia da documentação; não transmitirá dados de telecomunicações do software; não usará gateways de longa distância em nenhuma unidade de processamento central no qual o software for usado. Além disso, é expressamente proibido ao Licenciado adaptar, modificar, revisar, melhorar, atualizar, aprimorar e criar trabalhos derivados do software executável para quaisquer fins, incluindo a correção de erros ou qualquer outro tipo de manutenção.

4.2 O Licenciado deverá manter registros da utilização do software pelo Licenciado. O Licenciado deverá disponibilizar os registros à IAR Systems ou a um terceiro neutro com antecedência razoável, conforme acordado entre as partes. No caso de auditoria por um terceiro neutro, a IAR Systems e o Licenciado deverão nomear um auditor conjuntamente de boa fé. Se não for possível obter um acordo no prazo de 60 dias após o aviso da IAR Systems, as partes concordam que a Business Software Alliance faça uma auditoria ou escolha um auditor. O Licenciado permitirá que a IAR Systems ou um terceiro, conforme o caso, tenha acesso aos registros e aos sistemas de computador do Licenciado e use ferramentas de auditoria de software nos sistemas do Licenciado para garantir que o Licenciado esteja usando o software em conformidade com os termos de licença aplicáveis. Mediante solicitação do Licenciado, a parte que estiver realizando a auditoria do Licenciado firmará um acordo de confidencialidade com o Licenciado, para proteger a propriedade e/ou informações confidenciais do Licenciado. As informações obtidas e/ou encaminhadas para a IAR Systems como resultado de uma auditoria tal como descrita deverão apenas garantir que o licenciado esteja usando seu software em

Contrato de licença de software IAR

conformidade com os termos de licença aplicáveis ou fornecer provas do contrário.

4.3 De acordo com os outros termos deste instrumento, sendo que o Licenciado é totalmente responsável por todas as ações ou omissões de tal consultor, o Licenciado pode permitir que um consultor utilize o software para trabalhar exclusivamente em nome do Licenciado para a finalidade licenciada, desde que o software não seja usado para qualquer outra finalidade ou outro terceiro.

4.4 Por cada violação pelo Licenciado nos termos deste instrumento, uma multa contratual no valor de 200% por violação das seções 3.2, 3.3, 3.4, 3.5, 3.6, 3.11, 4.1 ou 4.3 e 1000% por violação da seção 3.8 sobre a taxa do licenciado aplicável conforme a fatura relevante deverá ser paga pelo Licenciado à IAR Systems. Se a indenização real da IAR Systems pela violação exceder esse valor, o restante igualmente será pago pelo Licenciado, consulte também a seção 3.8.

5. CONFIDENCIALIDADE

5.1 O Licenciado concorda que todo o material e as informações relativos ao software são disponibilizados para uso exclusivamente em conformidade com este Contrato. O Licenciado não tem direito em nenhum momento durante ou após o cancelamento ou a rescisão deste Contrato de divulgar o material e/ou informações relativos ao software, direta ou indiretamente, a nenhum terceiro sem aprovação prévia por escrito da IAR Systems. O Licenciado deverá isentar, defender e indenizar a IAR Systems em caso de quaisquer perdas, custos, indenizações e despesas resultantes de não cumprimento dos requisitos deste artigo 5 pelo Licenciado. As obrigações de confidencialidade do Licenciado nos termos deste instrumento subsistirão ao cancelamento ou à rescisão, por qualquer razão, deste Contrato.

6. TERMOS E CONDIÇÕES DE PAGAMENTO

6.1 Considerando os direitos concedidos e os serviços prestados pela IAR Systems mediante este Contrato, o Licenciado deverá pagar as taxas de licença pelo software conforme especificado na fatura. Os pagamentos deverão ser efetuados de acordo com o cronograma de pagamento referido na fatura ou, se não for declarado, as faturas são pagáveis no prazo de 30 dias a contar da data da fatura.

6.2 Se o Licenciado não efetuar o pagamento dentro do prazo estipulado, a IAR Systems ou as Distribuidoras da IAR terão o direito de a) cobrar juros após a data de vencimento conforme indicada na fatura ou, se ela não for mencionada na fatura, os juros cobrados serão a taxa de referência determinada pelo banco central da Suécia (o Riksbank) + 8%. b) adiar o cumprimento de qualquer uma de suas próprias obrigações até que o pagamento seja feito, e/ou c) rescindir o Contrato mediante notificação por escrito ao Licenciado e reaver do Licenciado todas as perdas incorridas.

6.3 Todos os preços excluem as taxas e os impostos, sendo o Licenciado responsável por todos esses montantes, incluindo os impostos de importação ou exportação, taxas de importação, vendas, uso, retenção, receita bruta, e impostos, taxas e encargos afins avaliados ou cobrados em conexão com a provisão de bens e serviços mediante este Contrato.

7. GARANTIA LIMITADA

7.1 A IAR Systems garante que a mídia na qual o software é gravado no ato de recebimento pelo Licenciado estará livre de defeitos de materiais e mão de obra em condições normais de uso por um período de noventa (90) dias a partir da data de entrega ao Licenciado. Durante esse período de garantia, a IAR Systems, a seu critério, após o recebimento da mídia devolvida, reparará ou substituirá, gratuitamente, a mídia com defeito na qual o software tiver sido fornecido e gravará uma cópia do software na mídia reparada ou repostada. Essa reparação ou reposição será a ação corretiva exclusiva do Licenciado sob esta garantia da mídia. Sem prejuízo do referido anteriormente, a IAR Systems não terá nenhuma responsabilidade de reparar ou substituir um material que, na opinião da IAR Systems, tiver sido danificado pelo Licenciado por acidente, abuso, ou como resultado de tentativa de automanutenção.

7.2 A IAR Systems não garante que o software atenderá aos requisitos do Licenciado ou que a operação do software será ininterrupta e livre de erros. O Licenciado é o único responsável pela seleção do software para alcançar os resultados pretendidos ou pelos resultados efetivamente obtidos.

7.3 A garantia acima não se aplica às condições resultantes de utilização indevida, causas externas, incluindo manutenção ou modificações não realizadas pela IAR Systems ou um prestador de serviços nomeado pelo IAR Systems, ou operação fora dos parâmetros ambientais especificados. A IAR Systems não será responsável pela operação do software em outro equipamento além do host especificado na fatura e em conjunto com o ambiente operacional designado para cada versão do software. Pequenos desvios da garantia acima, que sejam de pouca importância para o uso pretendido do software e que não causem mais do que pequenos inconvenientes para o Licenciado, não devem ser considerados violações da garantia acima.

7.4 A GARANTIA ACIMA É A ÚNICA GARANTIA DA IAR SYSTEMS COM RELAÇÃO AO SOFTWARE E A ESTE CONTRATO E, SALVO CONFORME PREVISTO NESTE CONTRATO, NENHUMA OUTRA GARANTIA OU CONDIÇÃO, EXPRESSA OU IMPLÍCITA, SERÁ APLICÁVEL E O LICENCIADO NÃO FARÁ QUAISQUER OUTRAS RECLAMAÇÕES BASEADAS NO DESEMPENHO OU NA FALTA DE DESEMPENHO DO SOFTWARE. A IAR SYSTEMS EXCLUI ESPECIFICAMENTE TODAS AS OUTRAS GARANTIAS, REPRESENTAÇÕES OU OBRIGAÇÕES, EXPRESSAS, IMPLÍCITAS OU ESTATUTÁRIAS, INCLUINDO, ENTRE OUTROS, QUAISQUER GARANTIAS IMPLÍCITAS DE COMERCIALIZABILIDADE OU ADEQUAÇÃO PARA UM FIM EM PARTICULAR, DE CAPACIDADE PARA OBTER UM RESULTADO ESPECÍFICO OU DE QUALQUER OUTRA OBRIGAÇÃO DE GARANTIA POR PARTE DA IAR SYSTEMS.

7.5 A IAR Systems se isenta expressamente de responsabilidade por qualquer solução de hardware ou software do Licenciado que possa afetar o desempenho do software, incluindo, entre outros, as configurações de rede.

7.6 As disposições deste artigo 7 subsistirão a qualquer vencimento ou rescisão deste Contrato.

Contrato de licença de software IAR

8. VIOLAÇÃO DE DIREITOS AUTORAIS DE PROPRIEDADE INTELECTUAL

8.1 A IAR Systems, na forma definida em 8.2, e de acordo com todas as limitações naquele ato, responderá a qualquer ação contra o Licenciado que esteja baseada na alegação de que o software tal como existente no momento da fatura viole alguma patente ou direitos autorais devidamente promulgados de acordo com a legislação do país em que a IAR Systems ou o Licenciado tiverem sido constituídos.

8.2 A IAR Systems, do modo descrito a seguir, como única ação corretiva, responderá à alegação de terceiros de que o software viola os direitos de propriedade intelectual de tais terceiros, desde que IAR Systems seja informada dessa alegação imediatamente e receba informações, assistência razoável e autoridade exclusiva para defender ou resolver a alegação. A seu critério, a IAR Systems pode obter o direito de o Licenciado continuar usando o produto infrator da IAR, repor ou modificar o produto infrator até que ele deixe de violar a legislação ou, se tal reposição ou modificação não for razoavelmente possível, rescindir esta licença para o produto infrator e providenciar um reembolso razoável das taxas pagas pelo Licenciado à IAR Systems pelo produto da IAR afetado.

8.3 A IAR Systems não terá nenhuma responsabilidade se a violação de direitos autorais alegada decorrer do uso não autorizado do software, modificações após a entrega, não da IAR Systems, ou da combinação com outros produtos ou dispositivos não fornecidos pela IAR Systems. **AS OBRIGAÇÕES ENUMERADAS NESTA SEÇÃO SÃO AS ÚNICAS RESPONSABILIDADES DA IAR SYSTEMS E O ÚNICO RECURSO DO LICENCIADO PARA A VIOLAÇÃO DE DIREITOS AUTORAIS E PATENTES. PARA EVITAR DÚVIDAS: A RESPONSABILIDADE DA IAR SYSTEMS CONFORME ESTA SEÇÃO 8 NUNCA PODERÁ EXCEDER O VALOR DA TAXA DE LICENÇA PAGA PELO LICENCIADO.**

9. FORÇA MAIOR

9.1 Cada parte estará dispensada do cumprimento de qualquer obrigação deste Contrato apenas na medida em que tal desempenho for impedido ou atrasado por uma disputa industrial ou alguma outra causa fora de seu controle razoável, tais como, entre outros, greves; inundações; guerra; hostilidades militares; incêndios; embargo; escassez de mão-de-obra, falta de energia, combustível, meios de transporte ou falta geral de outras necessidades. A parte que pretenda obter isenção conforme o presente artigo deve notificar imediatamente por escrito à outra parte a intervenção e o término de tal circunstância.

10. LIMITAÇÃO DE RESPONSABILIDADE

10.1 O USO DO SOFTWARE E TODAS AS CONSEQUÊNCIAS DECORRENTES DESSE ATO SÃO DE EXCLUSIVA RESPONSABILIDADE DO LICENCIADO. A IAR SYSTEMS NÃO SERÁ RESPONSÁVEL PERANTE O LICENCIADO POR QUALQUER PERDA OU DANO CAUSADO DECORRENTE DIRETA OU INDIRETAMENTE DO SOFTWARE, DA UTILIZAÇÃO DO SOFTWARE OU DE OUTRA FORMA.

10.2 A RESPONSABILIDADE DA IAR SYSTEMS DIANTE DO LICENCIADO CONFORME ESTE CONTRATO EM TODAS AS CIRCUNSTÂNCIAS ESTARÁ LIMITADA A CINQUENTA (50) POR CENTO DA TAXA DE LICENÇA PARA O SOFTWARE PAGO PELO LICENCIADO NOS TERMOS DESTES INSTRUMENTOS. NO ENTANTO, EM VEZ DISSO, SE A SEÇÃO 8 FOR APLICÁVEL, A RESPONSABILIDADE TOTAL DA IAR SYSTEMS NUNCA EXCEDERÁ 100% DO VALOR DA TAXA DE LICENÇA PAGA PELO LICENCIADO POR ESSE SOFTWARE NOS TERMOS DESTES INSTRUMENTOS.

10.3 EM NENHUMA CIRCUNSTÂNCIA, A IAR SYSTEMS SERÁ RESPONSÁVEL PERANTE O LICENCIADO NESTE CONTRATO POR QUALQUER INDENIZAÇÃO ESPECIAL, INDIRETA, INCIDENTAL OU POR DANO INDIRETO SOB QUALQUER TEORIA DO DIREITO, COMO PERDA DE DADOS, USO E/OU LUCROS, INTERRUÇÃO DE NEGÓCIOS OU CUSTOS DE INATIVIDADE E CUSTOS DE CAPITAL OU ALEGAÇÕES DE TERCEIROS, SEJA POR DEFEITOS, CUMPRIMENTO, INCUMPRIMENTO, ATRASOS, LESÕES PESSOAIS, DANOS À PROPRIEDADE OU OUTROS, INDEPENDENTEMENTE DE A IAR SYSTEMS ESTAR CIENTE DA POSSIBILIDADE DE TAIS INDENIZAÇÕES.

10.4 NADA NO PRESENTE ACORDO EXCLUIRÁ OU LIMITARÁ A RESPONSABILIDADE NOS TERMOS DA LEI OBRIGATÓRIA APLICÁVEL À IAR SYSTEMS POR MORTE OU ACIDENTE PESSOAL RESULTANTES DA SUA NEGLIGÊNCIA.

10.5 As disposições deste artigo 10 subsistirão a qualquer cancelamento ou rescisão deste Contrato.

11. DIREITOS DE TERCEIROS

11.1 O IAR Embedded Workbench para Eclipse inclui Eclipse Materials. Esta licença não se aplica a Eclipse Materials e estes não estão incluídos no termo "software" sob esta Licença. Você concorda em cumprir todos os termos e condições impostos a você em relação a Eclipse Materials.

11.1.1 Os Eclipse Materials são licenciados nos termos da licença pública do Eclipse (EPL), versão 1.0, sendo que uma cópia da licença está incluída no Eclipse Materials e está disponível em <http://www.opensource.org/licenses/eclipse-1.0.php>.

11.2 O IAR Embedded Workbench pode incluir software de terceiros. Além de todas as outras disposições desta Licença, o software de terceiros estará igualmente sujeito aos termos e condições suplementares que regem esse software de terceiros. Esses termos suplementares complementam os termos desta Licença e prevalecerão sobre quaisquer termos conflitantes ou incoerentes na presente Licença, uma vez que dizem respeito ao software de terceiros. Se o produto recebido pelo licenciado nos termos deste instrumento contiver software de terceiros, o Licenciado concorda em cumprir todos os termos e condições impostos a você em relação a esse software de terceiros.

11.2.1 O software de terceiros está sujeito aos termos adicionais de cada terceiro e uma cópia desses termos suplementares está disponível em <http://www.iar.com/en/products/software-licenses>.

Contrato de licença de software IAR

12. CONTRATO DE SUPORTE E ATUALIZAÇÃO (SUA)

12.1 Excetuando-se as especificações da seção 12.2 e/ou da seção 7 deste Contrato, este Contrato não concede ao Licenciado nenhum direito a melhorias, modificações, aperfeiçoamentos ou atualizações do software ou quaisquer outros serviços de suporte relacionados ao software.

12.2 Na medida em que a licença concedida incluir um serviço de suporte e atualização por tempo limitado, o licenciado terá direito aos serviços definidos no Contrato de Suporte e Atualização ("SUA") anexo a este instrumento. Se a licença concedida não incluir os serviços de suporte e atualização ou se esses serviços tiverem expirado, o Licenciado pode, consoante a natureza da licença concedida, comprar períodos adicionais de serviços de suporte e atualização.

12.3 A utilização de melhorias, modificações, aperfeiçoamentos ou atualizações recebidos pelo Licenciado de acordo com o Contrato de Suporte e Atualização (SUA) da IAR Systems ou recebidos de acordo com a seção 7 deste Contrato será regida pelos termos e condições contidos neste instrumento.

13. RESCISÃO DO CONTRATO

13.1 IAR Systems terá o direito de rescindir este Contrato com efeitos imediatos se o Licenciado violar alguma das suas obrigações neste Contrato, incluindo, entre outros, (a) o uso do software fora de conformidade com os direitos concedidos nos artigos 3 e 4, (b) violação das disposições de confidencialidade do artigo 5 ou (c) falha do licenciado na remessa de pagamentos conforme previsto no artigo 6.

13.2 Este Contrato será imediatamente rescindido sem aviso prévio se o Licenciado suspender seus pagamentos, abrir falência ou se tornar insolvente ou entrar em liquidação ou de algum outro modo puder ser considerado insolvente.

13.3 Após a rescisão deste Contrato, tal como estabelecido no presente artigo, a IAR Systems pode, a seu critério, e para além de quaisquer outros direitos nos termos do presente instrumento e quaisquer outras sanções disponíveis para IAR Systems por lei, exigir por escrito que o Licenciado para devolva ou destrua todas as versões do software e da documentação e de qualquer documentação relacionada a ele em qualquer suporte e em qualquer forma na posse do Licenciado. O Licenciado deverá dar uma confirmação por escrito à IAR Systems de que todo o material relacionado ao Software e sua operação foi devolvido à IAR Systems ou destruído. As disposições desta seção 13.3 subsistirão a qualquer cancelamento ou rescisão deste Contrato.

14. REGULAMENTOS DE CONTROLE DE EXPORTAÇÃO

14.1 O Software e a Documentação estão sujeitos a regulamentos de exportação ou importação em diversos países, incluindo a regulamentação do Ato de administração de exportação dos Estados Unidos. Por meio deste instrumento, o Licenciado concorda que, voluntariamente, o Licenciado não (a) exportará ou reexportará, direta ou indiretamente, nenhum produto ou dado técnico ou quaisquer produtos controlados restringidos pela regulamentação nacional aplicável, incluindo software, recebidos da IAR Systems conforme este Contrato, (b) divulgará tais dados técnicos para uso ou (c) fará exportação ou reexportação, direta ou indiretamente, de qualquer produto direto desses dados técnicos ou de outros produtos controlados, incluindo software, a qualquer destino para o qual essa exportação ou reexportação seja limitada ou proibida pela lei dos Estados Unidos ou outra lei estrangeira aplicável, sem obtenção de consentimento prévio por escrito da IAR Systems.

15. DISPOSIÇÕES GERAIS

15.1 Em nenhuma situação, este Contrato deve ser atribuído ou transferido no todo ou em parte por qualquer uma das partes, sem a aprovação prévia e por escrito da outra parte. Sem prejuízo do referido, a IAR Systems terá o direito de atribuir este Contrato no todo ou em parte a uma empresa dentro do grupo IAR Systems, sendo que a IAR Systems pode atribuir este Contrato sem qualquer penalização ou prejuízo para os seus direitos neste Contrato e sem o consentimento prévio por escrito do Licenciado, em caso de fusão ou reorganização semelhante ou da venda de praticamente todos os ativos da IAR Systems.

15.2 Nenhuma alteração deste Contrato será válida a menos que tal alteração seja feita por escrito e assinada pelas partes do presente instrumento.

15.3 Qualquer aviso ou outro comunicado de acordo com este Contrato deve ser feito por escrito à mão ou por telecópia (confirmada por correio aéreo) ou por postagem pré-paga em primeira classe de correio aéreo certificada ou registrada para as partes nos endereços indicados na fatura (ou em outro endereço que uma parte pode especificar em aviso por escrito à outra).

15.4 Este Contrato contém o acordo integral entre as partes sobre o assunto e anula e substitui quaisquer outros contratos ou acordos, escrita ou oral, que possam existir ou ter existido entre as partes sobre o assunto deste instrumento.

15.5 Este Contrato será regido e interpretado em conformidade com os direitos substantivos dos tribunais do país no qual a IAR Systems foi organizada. Qualquer disputa relacionada a este contrato ou à interpretação ou validade desse instrumento, ou qualquer outro litígio baseado nele, serão apresentadas aos tribunais do país no qual a IAR Systems foi organizada.

15.6 As disposições deste artigo 15 subsistirão a qualquer cancelamento ou rescisão deste Contrato.

Este documento contém avisos de softwares de terceiros e/ou termos e condições adicionais para componentes de software licenciado de terceiros incluído no produto de software **IAR Embedded Workbench** da IAR Systems. Estes avisos e/ou termos e condições adicionais são integrados e incorporados por referência ao Contrato de Licença de Software da IAR.

Contrato de licença de software IAR

1. Componentes usados internamente no IAR Embedded Workbench

Software de terceiros	Aviso/termos
SCINTILLA	<p>Licença para Scintilla e SciTE Copyright 1998-2002 por Neil Hodgson. Todos os direitos reservados. A permissão para usar, copiar, modificar e distribuir este software e sua documentação para qualquer finalidade e sem taxa é concedida por este instrumento, desde que o aviso de direitos autorais acima apareça em todas as cópias e que tanto o aviso de direitos autorais quanto este aviso de permissão apareçam na documentação de suporte. A NEIL HODGSON SE ISENTA DE TODAS AS GARANTIAS COM RESPEITO A ESTE SOFTWARE, INCLUINDO TODAS AS GARANTIAS IMPLÍCITAS DE COMERCIALIZABILIDADE E ADEQUAÇÃO, EM NENHUM CASO A NEIL HODGSON SERÁ RESPONSABILIZADA POR QUALQUER INDENIZAÇÃO ESPECIAL, INDIRETA OU POR DANO INDIRETO OU QUAISQUER INDENIZAÇÕES RESULTANTES DE PERDA DE USO, DE DADOS OU DE LUCRO, SEJA EM UMA AÇÃO DO CONTRATO, NEGLIGÊNCIA OU OUTRAÇÃO INDEVIDA, RESULTANTES DO USO OU DESEMPENHO DESTES SOFTWARE</p>
IBM ICU	<p>Licença de ICU - ICU 1.8.1 e posterior AVISO DE DIREITOS AUTORAIS E PERMISSÃO Copyright (c) 1995-2003 International Business Machines Corporation e outros Todos os direitos reservados. Por este instrumento, é concedida permissão, gratuita, a qualquer pessoa que obtenha uma cópia deste software e dos arquivos de documentação associados (o "software"), para comercializar o software sem restrição, incluindo, entre outros, os direitos de usar, copiar, modificar, mesclar, publicar, distribuir e/ou vender cópias do software, e de permitir que as pessoas para as quais o software é fornecido façam o mesmo, desde que os avisos de direitos autorais acima e este aviso de permissão apareçam em todas as cópias do software e que tanto os avisos de direitos autorais acima quanto este aviso de permissão apareçam na documentação de suporte. O SOFTWARE É FORNECIDO "COMO ESTÁ", SEM NENHUM TIPO DE GARANTIA, EXPRESSA OU IMPLÍCITA, INCLUINDO, ENTRE OUTROS, GARANTIAS IMPLÍCITAS DE COMERCIALIZABILIDADE, ADEQUAÇÃO A UMA DETERMINADA FINALIDADE E NÃO VIOLAÇÃO DE DIREITOS DE TERCEIROS. EM NENHUM CASO O DETENTOR DOS DIREITOS AUTORAIS OU OS TITULARES INCLUÍDOS NESTE AVISO SERÃO RESPONSABILIZADOS POR QUALQUER ALEGAÇÃO, QUALQUER INDENIZAÇÃO ESPECIAL, INDIRETA OU POR DANOS INDIRETOS OU QUAISQUER INDENIZAÇÕES RESULTANTES DE PERDA DE USO, DE DADOS OU DE LUCRO, SEJA EM UMA AÇÃO DO CONTRATO, NEGLIGÊNCIA OU OUTRAÇÃO INDEVIDA, RESULTANTES DO USO OU DESEMPENHO DESTES SOFTWARE. Exceto conforme contido neste aviso, o nome de um detentor dos direitos autorais não deve ser usado em propaganda ou de outra forma para promover a venda, o uso ou outras comercializações deste software sem autorização prévia por escrito do detentor dos direitos autorais. Todas as marcas comerciais e marcas registradas mencionadas neste documento são de propriedade de seus respectivos proprietários</p>

Contrato de licença de software IAR

Apache	<p>Licença de software Apache , versão 1.1 Copyright (c) 1999-2003 The Apache Software Foundation. Todos os direitos reservados. A redistribuição e o uso nos formatos de origem e binário, com ou sem modificação, são permitidos desde que sejam cumpridas as seguintes condições:</p> <ol style="list-style-type: none">1. As redistribuições do código-fonte devem manter o aviso de direitos autorais acima, esta lista de condições e o aviso de isenção de responsabilidade a seguir.2. As redistribuições no formato binário devem reproduzir o aviso de direitos autorais acima, esta lista de condições e o aviso de isenção de responsabilidade a seguir na documentação e/ou em outros materiais fornecidos com a distribuição.3. A documentação do usuário final incluída na redistribuição, se houver, deverá incluir o aviso a seguir: "Este produto inclui software desenvolvido pela Apache Software Foundation (http://www.apache.org/)." Como alternativa, esse aviso pode aparecer no próprio software, quando e onde esses avisos de terceiros normalmente aparecerem.4. Os nomes "Xerces" e "Apache Software Foundation" não deverão ser usados para endossar ou promover produtos derivados deste software sem permissão prévia por escrito. Para obter permissão por escrito, entre em contato com apache@apache.org.5. Os produtos derivados deste software não podem ser chamados de "Apache" e o nome "Apache" não poderá aparecer no nome desses produtos sem permissão prévia por escrito da Apache Software Foundation. <p>ESTE SOFTWARE É FORNECIDO "COMO ESTÁ" E QUAISQUER GARANTIAS EXPRESSAS OU IMPLÍCITAS, INCLUINDO, ENTRE OUTROS, GARANTIAS IMPLÍCITAS DE COMERCIALIZABILIDADE E ADEQUAÇÃO A UM PROPÓSITO EM PARTICULAR SÃO NEGADAS. EM NENHUM CASO O APACHE SOFTWARE FOUNDATION OU SEUS COLABORADORES SERÃO RESPONSÁVEIS POR QUAISQUER INDENIZAÇÕES DIRETAS, INDIRETAS, INCIDENTAIS, ESPECIAIS, PUNITIVAS OU POR DANO INDIRETO (INCLUINDO, ENTRE OUTROS, AQUISIÇÃO DE MERCADORIAS OU SERVIÇOS SUBSTITUTOS; PERDA DE USO, DADOS OU LUCROS; OU INTERRUPTÃO DE NEGÓCIOS) CAUSADAS E PRESENTES EM QUALQUER TEORIA DE RESPONSABILIDADE, SEJA EM CONTRATO, RESPONSABILIDADE OBJETIVA OU RESPONSABILIDADE CIVIL (INCLUINDO NEGLIGÊNCIA OU OUTRA FORMA) RESULTANTES DO USO DESTES SOFTWARE, MESMO SE AVISADA DA POSSIBILIDADE DE TAIS DANOS.</p> <p>Este software consiste em contribuições voluntárias feitas por várias pessoas em nome da Apache Software Foundation e foi originalmente baseado no copyright de software (c) 1999, International Business Machines, Inc., http://www.ibm.com. Para obter mais informações sobre a Apache Software Foundation, consulte <http://www.apache.org/></p>
LLVM	<p>Licença de versão LLVM Universidade de Illinois/NCSA. Licença de código aberto. Copyright (c) 2003-2011 Universidade de Illinois em Urbana-Champaign. Todos os direitos reservados. Desenvolvido por: Equipe LLVM da Universidade de Illinois em Urbana-Champaign. http://llvm.org Por este instrumento, é concedida permissão, gratuita, a qualquer pessoa que obtenha uma cópia deste software e dos arquivos de documentação associados (o "software"), para comercializar o software sem restrição, incluindo, entre outros, os direitos de usar, copiar, modificar, mesclar, publicar, distribuir, sublicenciar e/ou vender cópias do software, e de permitir que as pessoas para as quais o software é fornecido façam o mesmo, desde que as seguintes condições sejam cumpridas:</p> <p>* As redistribuições do código-fonte devem manter o aviso de direitos autorais acima, esta lista de condições e os avisos de isenção de responsabilidade a seguir. * As redistribuições no formato binário devem reproduzir o aviso de direitos autorais acima, esta lista de condições e os avisos de isenção de responsabilidade a seguir na documentação e/ou em outros materiais fornecidos com a distribuição. * Os nomes da equipe LLVM, da Universidade de Illinois em Urbana-Champaign e os nomes dos seus contribuintes não podem ser usados para endossar ou promover produtos derivados deste Software sem permissão específica prévia por escrito.</p> <p>O SOFTWARE É FORNECIDO "COMO ESTÁ", SEM NENHUM TIPO DE GARANTIA, EXPRESSA OU IMPLÍCITA, INCLUINDO, ENTRE OUTROS, GARANTIAS IMPLÍCITAS DE COMERCIALIZABILIDADE, ADEQUAÇÃO A UMA DETERMINADA FINALIDADE E NÃO VIOLAÇÃO. EM NENHUM CASO OS COLABORADORES OU DETENTORES DOS DIREITOS AUTORAIS SERÃO RESPONSÁVEIS POR QUALQUER ALEGAÇÃO, INDENIZAÇÃO OU OUTRA RESPONSABILIDADE CIVIL, SEJA EM UMA AÇÃO DO CONTRATO, RESPONSABILIDADE CIVIL OU DE OUTRA FORMA, RESULTANTE DO SOFTWARE OU DO USO OU OUTRAS RELAÇÕES COM O SOFTWARE.</p>

Contrato de licença de software IAR

Bibliotecas Boost C++	<p>Licença de software Boost - Versão 1.0 - 17 de agosto de 2003</p> <p>Por este instrumento, é concedida permissão, gratuita, a qualquer pessoa ou organização que obtiver uma cópia do software e da documentação que o acompanha abrangidos por esta licença (o "software") para usar, reproduzir, exibir, distribuir, executar e transmitir o software e para preparar trabalhos derivados do software e permitir que terceiros para os quais o software seja fornecido façam o mesmo, tudo sujeito às seguintes condições: Os avisos de direitos autorais do software e toda esta declaração, incluindo a concessão da licença acima, esta restrição e o aviso de isenção de responsabilidade a seguir, devem ser incluídos em todas as cópias do software, no todo ou em parte, e todos os trabalhos derivados do software, a menos que tais cópias ou trabalhos derivados estejam exclusivamente na forma de código de objeto executável por máquina gerado por uma linguagem de origem do processador.</p> <p>O SOFTWARE É FORNECIDO "COMO ESTÁ", SEM NENHUM TIPO DE GARANTIA, EXPRESSA OU IMPLÍCITA, INCLUINDO, ENTRE OUTROS, GARANTIAS IMPLÍCITAS DE COMERCIALIZIDADE, ADEQUAÇÃO A UMA DETERMINADA FINALIDADE, PROPRIEDADE E NÃO VIOLAÇÃO. EM NENHUMA CIRCUNSTÂNCIA OS DETENTORES DOS DIREITOS AUTORAIS OU QUALQUER PESSOA QUE DISTRIBUIR O SOFTWARE SERÃO RESPONSÁVEIS POR QUALQUER INDENIZAÇÃO OU OUTRA RESPONSABILIDADE CIVIL, SEJA EM CONTRATO, RESPONSABILIDADE CIVIL OU DE OUTRA FORMA, RESULTANTES DO SOFTWARE OU DO USO OU DE OUTRAS RELAÇÕES COM O SOFTWARE.</p>
Buffers de protocolo	<p>Buffers de protocolo - Formato de intercâmbio de dados do Google Copyright 2008 Google Inc. Todos os direitos reservados. http://code.google.com/p/protobuf/</p> <p>A redistribuição e o uso nos formatos de origem e binário, com ou sem modificação, são permitidos desde que sejam cumpridas as seguintes condições:</p> <ul style="list-style-type: none">* As redistribuições do código-fonte devem manter o aviso de direitos autorais acima, esta lista de condições e o aviso de isenção de responsabilidade a seguir.* As redistribuições no formato binário devem reproduzir o aviso de direitos autorais acima, esta lista de condições e o aviso de isenção de responsabilidade a seguir na documentação e/ou em outros materiais fornecidos com a distribuição.* O nome da Google Inc. e os nomes de seus contribuintes não podem ser usados para endossar ou promover produtos derivados deste software sem permissão específica prévia por escrito. <p>ESTE SOFTWARE É FORNECIDO PELOS DETENTORES DOS DIREITOS AUTORAIS E COLABORADORES "COMO ESTÁ" E QUAISQUER GARANTIAS EXPRESSAS OU IMPLÍCITAS, INCLUINDO, ENTRE OUTROS, GARANTIAS IMPLÍCITAS DE COMERCIALIZIDADE E ADEQUAÇÃO A UM PROPÓSITO EM PARTICULAR SÃO NEGADAS. EM NENHUM CASO O DETENTOR DE DIREITOS AUTORAIS OU SEUS COLABORADORES SERÃO RESPONSÁVEIS POR QUAISQUER INDENIZAÇÕES DIRETAS, INDIRETAS, INCIDENTAIS, ESPECIAIS, PUNITIVAS OU POR DANO INDIRETO (INCLUINDO, ENTRE OUTROS, AQUISIÇÃO DE MERCADORIAS OU SERVIÇOS SUBSTITUTOS; PERDA DE USO, DADOS OU LUCROS; OU INTERRUPÇÃO DE NEGÓCIOS) CAUSADAS E PRESENTES EM QUALQUER TEORIA DE RESPONSABILIDADE, SEJA EM CONTRATO, RESPONSABILIDADE OBJETIVA OU RESPONSABILIDADE CIVIL (INCLUINDO NEGLIGÊNCIA OU OUTRA FORMA) RESULTANTES DO USO DESTES SOFTWARE, MESMO SE AVISADOS DA POSSIBILIDADE DE TAIS DANOS.</p>

2. Componentes potencialmente utilizados em aplicações do cliente

Software de terceiros	Aviso/termos
dlmalloc	Versão do malloc/livre/realloc (conhecido como dlmalloc) escrito por Doug Lea e liberado para o domínio público, conforme explicado em http://creativecommons.org/publicdomain/zero/1.0/ .
	<p>Sublicença da biblioteca Dinkum abreviada/C</p> <p>Definição: O termo "fonte licenciada" designa o código-fonte da biblioteca abreviada Dinkum, o código-fonte da biblioteca Dinkum em C e a referência da biblioteca Dinkum abreviada, ou uma versão posterior dos mesmos produtos. Uma sublicença é concedida exclusivamente em conjunto e para uso com o Cross Compiler C/EC++/C++ de propriedade da IAR Systems AB. O sublicenciado deve oferecer à Dinkumware Ltd ("Licenciante") as seguintes proteções:</p>

Contrato de licença de software IAR

**Dinkum
Biblioteca
C++**

(a) Propriedade de Plauger a. O sublicenciado reconhece e concorda que: *O título e todos os direitos de propriedade para a Fonte Licenciada e todas as cópias do todo ou de qualquer parte dela são e permanecem da Plauger; *O Sublicenciado não deve emprestar, vender, alugar, hipotecar ou de algum outro modo desfazer-se da fonte licenciada. *Todas as cópias da fonte licenciada ou qualquer parte dela, sob qualquer forma, incluindo, entre outros, formas compreensíveis ao olho humano (diretamente ou mediante aumento de tamanho ou tradução), ou processamento de dados ou outros equipamentos, serão de propriedade única e exclusiva da Plauger, conforme descrito imediatamente acima; e o *Licenciante representa que a fonte licenciada pode conter segredos comerciais e informações proprietárias do Licenciante, independentemente de alguma parte dela ser patenteada ou ter direitos autorais ou não. B. O Sublicenciado concorda em manter inalteradas todas as avisos de direitos autorais em todas as cópias da fonte licenciada. C. O Licenciante reconhece e concorda que o Sublicenciado não terá nenhuma obrigação de fornecer ou divulgar ao Licenciante quaisquer modificações que o Sublicenciado fizer na fonte licenciada, e que o Sublicenciado terá direitos de comercialização exclusivos para todas essas modificações não divulgadas. D. O Sublicenciado reconhece e concorda que quaisquer modificações que fizer na fonte licenciada e comunicar ao Licenciante, salvo indicação em contrário por escrito pelo Sublicenciado no momento ou antes da divulgação ("modificações divulgadas"), tornam-se propriedade de Plauger. As modificações da biblioteca-fonte licenciada se tornarão propriedade de Plauger. Por este instrumento, o Sublicenciado atribui a Plauger todos os direitos, a propriedade e participação dessas modificações divulgadas e dos direitos autorais e todos os demais direitos nas modificações divulgadas. (b) Licença. a. Por este instrumento, o Licenciante concede ao Sublicenciado uma licença pessoal, não exclusiva e intransferível para usar ou modificar a fonte licenciada para os seus próprios fins empresariais internos somente em conjunto com o IAR C/EC++/C++ Cross Compiler de propriedade da IAR Systems. b. Sem prejuízo do referido anteriormente, o Sublicenciado somente poderá fazer as cópias da fonte licenciada que forem razoavelmente necessárias para exercer o seu direito nos termos do presente instrumento. O Sublicenciado reconhece que não pode vender, atribuir, sublicenciar, alugar ou de outra forma transferir ou permitir que terceiros usem ou executem a fonte licenciada, ou qualquer porta dela, ou qualquer modificação ou melhoria da fonte licenciada ou qualquer código objeto derivado da fonte licenciada. C. O Sublicenciado concorda em cumprir todas as leis, regulamentos e normas aplicáveis e a ordem executiva dos Estados Unidos relacionada à exportação ou reexportação da fonte licenciada, além de todas as leis estrangeiras aplicáveis que devem ser respeitados a fim de proteger ou preservar os direitos autorais, segredos comerciais e outros direitos de propriedade da fonte licenciada. O Sublicenciado concorda que não revenderá nem desviará a fonte licenciada voluntariamente para uso em qualquer país que não tenha ratificado a Convenção de direitos autorais de Berna nem a Convenção universal sobre o direito de autor sem primeiro obter permissão por escrito do Licenciante. (c) Garantia e aviso de isenção de responsabilidade de garantia. a. O Licenciante garante que, no momento da entrega, a fonte licenciada estará em bom estado de funcionamento e em conformidade com o padrão em todos os aspectos essenciais. b. O Licenciante representa e garante que, até onde sabe, a fonte licenciada não foi criada no todo ou em parte mediante violação do segredo comercial protegido de outro ou não infringe qualquer patente ou direito autoral dos EUA.

C. AS GARANTIAS LIMITADAS REFERIDAS ANTERIORMENTE SÃO AS ÚNICAS GARANTIAS DO LICENCIANTE AO SUBLICENCIADO E SUBSTITUEM TODAS AS OUTRAS GARANTIAS, EXPRESSAS OU IMPLÍCITAS, INCLUINDO, ENTRE OUTROS, GARANTIAS IMPLÍCITAS DE COMERCIALIZABILIDADE E ADEQUAÇÃO A UMA FINALIDADE EM PARTICULAR.

(d) Limitação de responsabilidade. a. Em nenhum caso, o Licenciante será responsável perante o Sublicenciado por qualquer lucro cessante, indenizações incidentais, especiais, punitivas, indiretas ou por danos indiretos, mesmo se o Licenciante souber ou tiver sido avisado da possibilidade de tais indenizações, ou por qualquer alegação contra o Sublicenciado por alguma outra pessoa ou entidade ou por qualquer dano causado por falha do Sublicenciado em cumprir suas responsabilidades.

Atualizado: 15-02-2013. IAR Systems AB.

Freescale MQX RTOS 4.0.2

IMPORTANTE. Leia o Contrato de Licença de Software da Freescale Semiconductor ("Contrato") a seguir na íntegra. Selecionando o botão "Aceito" abaixo, você indica que aceita os termos deste Contrato. A seguir, você poderá instalar o software.

CONTRATO DE LICENÇA DE SOFTWARE DA FREESCALE SEMICONDUCTOR

Este é um acordo legal entre você (como indivíduo ou como representante autorizado de seu empregador) e a Freescale Semiconductor, Inc. ("Freescale"). Ele diz respeito a seus direitos de utilizar este arquivo e qualquer material escrito que o acompanhe (o "software"). Em retribuição à permissão da Freescale para que você acesse o software, você concorda em se sujeitar aos termos deste Contrato. Se não concordar com todos os termos deste Contrato, não faça download do software. Se mudar de ideia mais tarde, pare de usar o software e exclua todas as cópias do software em sua posse ou seu controle. Todas as cópias do software que você já tiver distribuído, quando permitido, e não destruir, continuarão a ser regidas por este Contrato. Sua utilização anterior também continuará a ser regida por este Contrato.

CONCESSÃO DA LICENÇA. Exclusivamente em conjunto com o desenvolvimento e a venda pelo Licenciado de um produto que contenha uma unidade de processamento programável (por exemplo, um microprocessador, microcontrolador, ou processador de sinal digital) fornecidos diretamente ou indiretamente pela Freescale ("Sistema Freescale") e listado em "Por produtos" no site de MQX da Freescale (www.freescale.com/mqx), a Freescale concede a você, gratuitamente, o direito não exclusivo e intransferível (1) de usar o software, (2) reproduzir o software, (3) preparar trabalhos derivados do software, (4) distribuir o software e trabalhos derivados em formato de objeto (legível por máquina) como parte de um sistema Freescale e (5) sublicenciar a outros o direito de usar o software distribuído como incluído no sistema Freescale. Você deve proibir aos seus sublicenciados a tradução, engenharia reversa, descompilação ou desmontagem do software exceto na medida em que a legislação aplicável proibir expressamente tal restrição. Se você violar algum dos termos ou restrições deste Contrato, a Freescale pode encerrar imediatamente este Contrato e solicitar que você pare de usar e exclua todas as cópias do software em sua posse ou seu controle.

DIREITOS AUTORAIS. O software é licenciado para você, não vendido. A Freescale é proprietária do software e as leis de direitos autorais dos Estados Unidos e disposições de tratados internacionais protegem o software. Portanto, você deve tratar o software como qualquer outro material protegido por leis de direitos autorais (por exemplo, um livro ou uma gravação musical). Você não poderá usar ou copiar o software para qualquer outra finalidade além daquela descrita neste Contrato. Exceto conforme disposto explicitamente neste instrumento, a Freescale não lhe concede nenhum direito expresso ou implícito sob qualquer patente, direito autoral, marca comercial ou segredo comercial da Freescale ou de terceiros. Além disso, você deverá reproduzir e aplicar quaisquer direitos autorais ou outros avisos de direitos de propriedade inclusos ou incorporados no software para quaisquer cópias ou trabalhos derivados feitos a partir dele, no todo ou em parte, se houver.

SUPORTE. A Freescale NÃO é obrigada a fornecer qualquer suporte, atualização ou nova versão do software. Se você desejar, pode entrar em contato com a Freescale e informar problemas e oferecer sugestões para o software. A Freescale não tem nenhuma obrigação de responder a esse relatório de problema ou a essa sugestão. A Freescale pode fazer alterações no software a qualquer momento, sem qualquer obrigação de notificar ou fornecer versões atualizadas do software a você.

SEM GARANTIA. NA MEDIDA MÁXIMA PERMITIDA POR LEI, A FREESCALE SE ISENTA EXPRESSAMENTE DE QUALQUER GARANTIA PARA O SOFTWARE. O SOFTWARE É FORNECIDO "COMO ESTÁ", SEM NENHUM TIPO DE GARANTIA, EXPRESSA OU IMPLÍCITA, INCLUINDO, ENTRE OUTROS, GARANTIAS IMPLÍCITAS DE COMERCIALIZABILIDADE, ADEQUAÇÃO A UMA DETERMINADA FINALIDADE OU NÃO VIOLAÇÃO. VOCÊ ASSUME TODO O RISCO DECORRENTE DO USO OU DESEMPENHO DO SOFTWARE OU DE QUALQUER PROJETO DE SISTEMA QUE FIZER USANDO O SOFTWARE (SE HOUVER). NADA NO PRESENTE ACORDO PODE SER INTERPRETADO COMO GARANTIA OU REPRESENTAÇÃO DA FREESCALE DE QUE O SOFTWARE OU QUALQUER TRABALHO DERIVADO DESENVOLVIDO OU INTEGRADO COM O SOFTWARE ESTARÁ LIVRE DE VIOLAÇÃO DOS DIREITOS DE PROPRIEDADE INTELECTUAL DE TERCEIROS.

INDENIZAÇÃO. Você concorda em defender e indenizar totalmente a Freescale de quaisquer reclamações, responsabilidades e custos (incluindo honorários advocatícios razoáveis) relacionados a (1) seu uso (incluindo o uso do seu sublicenciado, se permitido) do software ou (2) sua violação dos termos e condições deste Contrato.

LIMITAÇÃO DE RESPONSABILIDADE. EM NENHUM CASO, A FREESCALE SERÁ RESPONSÁVEL, SEJA EM CONTRATO, RESPONSABILIDADE CIVIL, OU DE OUTRA FORMA, POR QUALQUER INDENIZAÇÃO INCIDENTAL, ESPECIAL, INDIRETA, POR DANO INDIRETO, PUNITIVA, INCLUINDO, ENTRE OUTROS, INDENIZAÇÃO POR QUALQUER PERDA DE USO, PERDA DE TEMPO, INCONVENIÊNCIA, PERDA COMERCIAL OU PERDA DE LUCROS, POUPANÇA OU RECEITA, NA MÁXIMA EXTENSÃO PERMITIDA POR LEI.

CONFORMIDADE LEGISLATIVA; RESTRICÇÕES À EXPORTAÇÃO. Você deve usar o software de acordo com todas as leis, os regulamentos e os estatutos aplicáveis dos Estados Unidos. Você concorda que você e seus licenciados (se houver) não pretendem, nem irão, direta ou indiretamente, exportar ou transmitir o software para qualquer país violando as restrições à exportação dos EUA.

USO DO GOVERNO. O uso do software e de qualquer documentação correspondente, se houver, é permitido com DIREITOS RESTRITOS. O uso, a duplicação ou divulgação pelo Governo estão sujeitos às restrições estabelecidas no subparágrafo (c)(1)(ii) da cláusula de Direitos de dados técnicos e software de computador na DFARS 252.227-7013 ou nos subparágrafos (c)(1) e (2) de Software de computador comercial - Direitos restritos em 48 CFR 52.227-19, conforme aplicável. O fabricante é a Freescale Semiconductor, Inc., 6501 William Cannon Drive West, Austin, TX, 78735, EUA.

ATIVIDADES DE ALTO RISCO. Você reconhece que o Software não é resistente a falhas e não foi projetado, fabricado ou destinado pela Freescale para incorporação em produtos voltados à utilização ou revenda em equipamentos de controle on-line em ambientes de risco, perigosos para a vida ou potencialmente ameaçadores à vida que exigem desempenho à prova de falhas, como na operação de instalações nucleares, navegação de aeronaves ou sistemas de comunicação, controle de tráfego aéreo, sistemas de máquinas de suporte direto à vida ou de armas, nos quais a falha dos produtos possa levar diretamente à morte, acidente pessoal ou graves danos físicos ou ambientais ("Atividades de alto risco"). Você representa e garante especificamente que não utilizará o software ou qualquer trabalho derivado do software para atividades de alto risco.

ESCOLHA DE LEGISLAÇÃO; FORO; LIMITAÇÕES. Você concorda que os estatutos e as leis dos Estados Unidos e do estado do Texas, EUA, sem considerar conflitos de princípios legais, serão aplicáveis a todas as questões relativas a este Contrato ou o software e concorda que qualquer litígio estará sujeito à jurisdição exclusiva dos tribunais estaduais ou federais no Texas, EUA. Você concorda que independentemente de qualquer estatuto ou lei contrária, qualquer alegação ou causa de pedir relacionada a este Contrato ou o software deverá ser postulada dentro de um (1) ano após o surgimento da alegação ou causa de pedir ou será vedada permanentemente.

ROTULAGEM DO PRODUTO. Você não está autorizado a utilizar qualquer marca registrada, nome de marca ou logotipo da Freescale.

ACORDO INTEGRAL. Este Contrato constitui o acordo integral entre você e a Freescale para o objeto deste Contrato e substitui todas as comunicações, negociações, entendimentos, acordos ou representações anteriores, escritos ou orais, se houver. Este Contrato somente pode ser alterado de forma escrita, executada entre você e a Freescale.

INDEPENDÊNCIA DAS CLÁUSULAS. Se alguma provisão deste Contrato for considerada inválida ou inexecutável por qualquer motivo, as demais disposições deste Contrato permanecerão inalteradas e, a menos que se considere que uma modificação ou substituição da disposição inválida ou inexecutável prive você ou a Freescale de um benefício material, caso em que o contrato será imediatamente rescindido, a disposição inválida ou inexecutável será substituída por uma disposição válida e executável e que mais se aproxime da intenção subjacente à provisão inválida ou inexecutável.

NENHUMA RENÚNCIA DE DIREITOS. A renúncia de direitos pela Freescale de qualquer violação de disposição deste Contrato não funcionará ou será interpretada como uma renúncia de direitos de qualquer outra ou uma violação subsequente de uma disposição igual ou diferente.

Limited Warranty Statement

Rev. May 15, 2015

This product is warranted to be free from defects in workmanship, materials, and components for a period of one year from date of purchase. All parts and labor required to repair defective products covered under the warranty will be at no charge. The following restrictions apply:

1. The limited warranty applies to the original purchaser only.
2. The warranty applies to the product in normal usage situations only, as described in the Operating Manual. The product must be serviced and maintained as specified.
3. If the product fails, it will be repaired or replaced at the option of the manufacturer.
4. Transportation charges for warranty service will be reimbursed by the factory upon verification of the warranty claim and submission of a freight bill for normal ground service. Approval from the manufacturer must be obtained prior to shipping to an authorized service center.
5. Warranty service claims are subject to authorized inspection for product defect(s).
6. The manufacturer shall not be responsible for any additional costs associated with a product failure including, but not limited to, loss of work time, loss of refrigerant, cross-contamination of refrigerant, and unauthorized shipping and/or labor charges.
7. All warranty service claims must be made within the specified warranty period. Proof-of-purchase date must be supplied to the manufacturer.
8. Use of recovery/recycling equipment with unauthorized refrigerants or sealants will void warranty.
 - Authorized refrigerants are listed on the equipment or are available through the Technical Service Department.
 - The manufacturer prohibits the use of the recovery/recycling equipment on air conditioning (A/C) systems containing leak sealants, either of a seal-swelling or aerobic nature.

This Limited Warranty does NOT apply if:

- The product, or product part, is broken by accident.
- The product is misused, tampered with, or modified.
- The product is used for recovering or recycling any substance other than the specified refrigerant type. This includes, but is not limited to, materials and chemicals used to seal leaks in A/C systems.

Declaración de garantía limitada

Revisión del 15 de mayo de 2015

Se garantiza que este producto no posee defectos de mano de obra, materiales y componentes por el período de un año a partir de la fecha de compra. Todas las partes y mano de obra requerida para reparar los productos con defecto cubiertos bajo la garantía no tendrán costo. Aplican las siguientes restricciones:

1. La garantía limitada aplica al comprador original únicamente.
2. La garantía aplica al producto en situaciones de uso normal únicamente, como lo indica el Manual de funcionamiento. Al producto se le debe dar servicio y mantenimiento como se especifica.
3. Si falla el producto, se debe reparar o reemplazar a discreción del fabricante.
4. Los cargos de transporte de servicio de garantía serán reembolsados por la fábrica al verificar el reclamo de garantía y presentar una boleta de flete por servicio terrestre regular. Se debe obtener la aprobación del fabricante antes de hacer el envío a un centro de servicio autorizado.
5. Los reclamos de servicio de garantía están sujetos a inspección de defectos del producto.
6. El fabricante no será responsable de los costos adicionales relacionados con fallas en el producto, que incluyen pero no se limitan a, tiempo improductivo, pérdida de refrigerante, contaminación de refrigerante y envío no autorizado o cargos por mano de obra.
7. Todo reclamo de servicio de garantía se debe hacer dentro del período de garantía establecido. Se debe proporcionar la fecha de la prueba de compra al fabricante.
8. El uso de equipo de recuperación/reciclaje con refrigerantes o selladores no autorizados anula la garantía.
 - Los refrigerantes autorizados se indican en el equipo o están disponibles a través del Departamento de servicio técnico.
 - El fabricante prohíbe el uso de equipo de recuperación/reciclaje en sistemas de aire acondicionado (A/C) con fugas de sellador, ya sea porque un sello se infla o es de naturaleza aeróbica.

Esta garantía limitada NO aplica si:

- El producto, o parte de éste, se rompe accidentalmente.
- El producto se usa incorrectamente, se adultera o modifica.
- El producto se usa para recuperar o reciclar cualquier sustancia que sea diferente al tipo de refrigerante establecido. Esto incluye, pero no se limita a materiales y productos químicos utilizados para sellar fugas en sistemas de A/C.

Énoncé de la garantie limitée

Révisée le 15 er mai 2015

Ce produit est couvert contre les défauts de matériau, de fabrication et de composant pendant un ans à compter de la date d'achat. Toutes les pièces et la main-d'œuvre nécessaires aux réparations sous garantie sont sans frais. Toutefois, les restrictions suivantes s'appliquent :

1. La garantie limitée s'applique uniquement à l'acheteur initial.
2. La garantie s'applique uniquement au produit utilisé dans des conditions de fonctionnement normales conformément au manuel d'utilisation. Il doit être réparé et entretenu conformément aux spécifications.
3. Si le produit subit une défaillance, il sera réparé ou remplacé à la discrétion du fabricant.
4. Les frais de transport pour les réparations sous garantie sont remboursés par l'usine après l'évaluation de la réclamation au titre de la garantie et après la soumission d'une facture de transport terrestre standard. L'approbation du fabricant est requise avant l'expédition du produit à un atelier de réparation autorisé.
5. Les réclamations au titre de la garantie sont sujettes à l'inspection du produit défectueux par un personnel autorisé.
6. Le fabricant ne peut être tenu responsable pour tout coût supplémentaire lié à la défaillance du produit incluant, sans toutefois s'y limiter, les interruptions de fonctionnement, la perte de liquide frigorigène, la contamination des liquides frigorigènes et l'expédition et/ou les frais de main-d'œuvre soumis par des ateliers non autorisés.
7. Toute réclamation pour des réparations au titre de la garantie doit être soumise durant la période de garantie. Une preuve d'achat doit être fournie au fabricant.
8. L'utilisation d'un appareil de récupération et de recyclage avec du liquide frigorigène ou des scellants non spécifiés annule la garantie.
 - Les liquides frigorigènes autorisés sont indiqués sur l'appareil, ou ils peuvent être obtenus auprès du Service technique.
 - Le fabricant interdit l'utilisation d'un appareil de récupération et de recyclage contenant des colmatants pour fuites, que ce soient des scellants à dilatation ou aérobiques.

Cette garantie limitée NE s'applique PAS si le produit :

- ou une partie du produit a été endommagé par un accident.
- a été utilisé de façon inadéquate, ou qu'il a été altéré ou modifié.
- est utilisé pour la récupération et le recyclage de substances autres que le type de liquide frigorigène spécifié. Ces substances comprennent, sans toutefois s'y limiter, les matériaux et les produits chimiques utilisés pour colmater les fuites des systèmes de climatisation.

Declaração de garantia limitada

Rev. 15 de maio de 2015

Garantimos que este produto está isento de defeitos de fabricação, de material e de componentes por um período de um ano a partir da data da compra. Todas as peças e a mão de obra necessárias para reparar produtos defeituosos cobertos pela garantia não gerarão nenhum custo. As seguintes restrições são válidas:

1. A garantia limitada aplica-se apenas ao comprador original.
2. A garantia se aplica ao produto apenas em situações normais de uso, como descrito no Manual de operação. O produto deve ser usado e mantido conforme especificado.
3. Em caso de defeito, o produto será reparado ou substituído a critério do fabricante.
4. Os custos de transporte para atendimento em garantia serão reembolsados pela fábrica após verificação da solicitação de garantia e apresentação de nota fiscal de despesa cobrindo transporte terrestre normal. O fabricante deverá aprovar com antecedência o envio para um centro de serviço autorizado.
5. As reivindicações de garantia estão sujeitas a inspeção de defeitos do produto por um representante autorizado.
6. O fabricante não se responsabiliza por nenhum custo adicional associado a falha do produto, incluindo, entre outros, perda de tempo de trabalho, perda de fluido refrigerante, contaminação de fluido refrigerante e transporte e mão de obra não autorizados.
7. Todas as reclamações do serviço de garantia devem ser feitas dentro do período de garantia especificado. Deverá ser apresentado um comprovante da data de compra ao fabricante.
8. A utilização de equipamento de recuperação/reciclagem com fluido refrigerante ou vedantes não autorizados invalidará a garantia.
 - Os fluidos refrigerantes autorizados estão listados no equipamento ou podem ser fornecidos por meio do departamento de atendimento técnico.
 - O fabricante proíbe o uso do equipamento de recuperação/reciclagem em sistemas de ar-condicionado (A/C) contendo vedantes de vazamento, tanto do tipo junta de expansão quanto aeróbica.

Esta garantia limitada NÃO se aplica caso:

- O produto, ou parte do produto, sofra quebra por acidente.
- O produto seja mal utilizado, adulterado ou modificado.
- O produto seja utilizado para a recuperação ou reciclagem qualquer substância diferente do tipo de fluido refrigerante especificado. Isso inclui, entre outros, materiais e produtos químicos usados para vedação em sistemas A/C.

ROBINAIR

655 Eisenhower Drive
Owatonna, MN 55060 USA
Technical Services: 1-800-822-5561
Fax: 1-866-259-1241
Customer Service: 1-800-533-6127
Fax: 1-800-322-2890

www.robinair.com