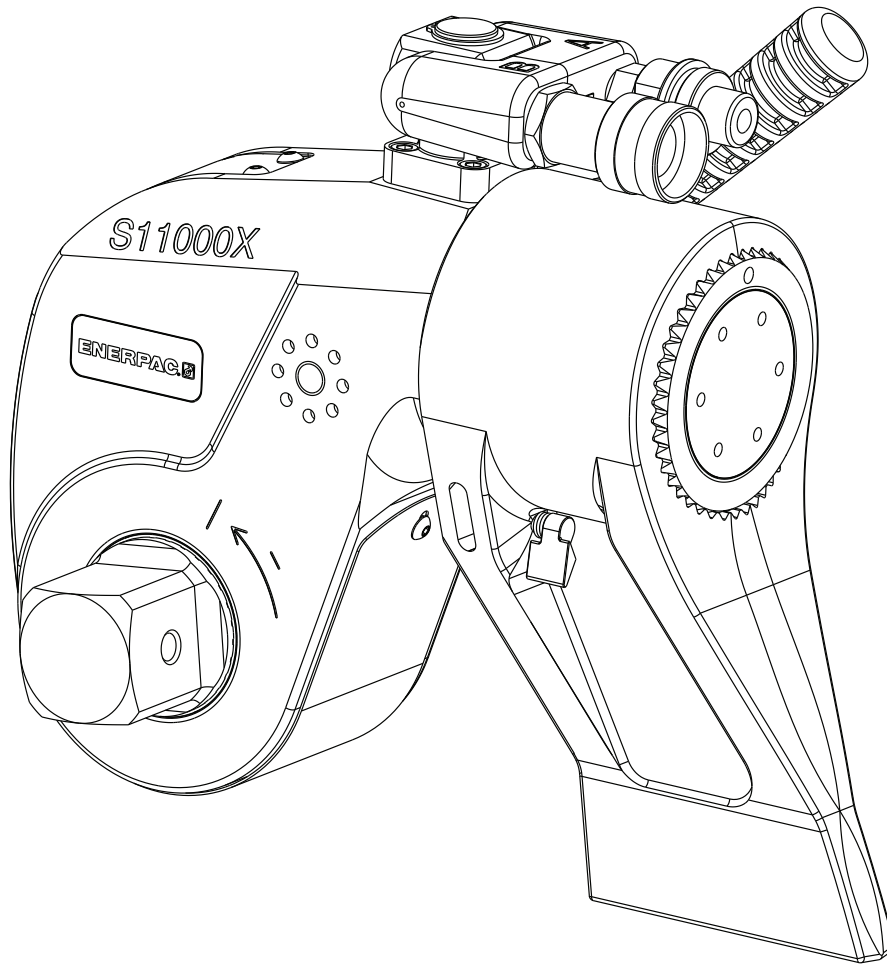


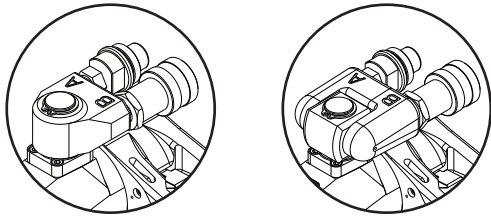
**To Protect Your Warranty, Use Only ENERPAC Hydraulic Oil.**

Enerpac recommends that all kit components be installed to insure optimum performance of the repaired product.

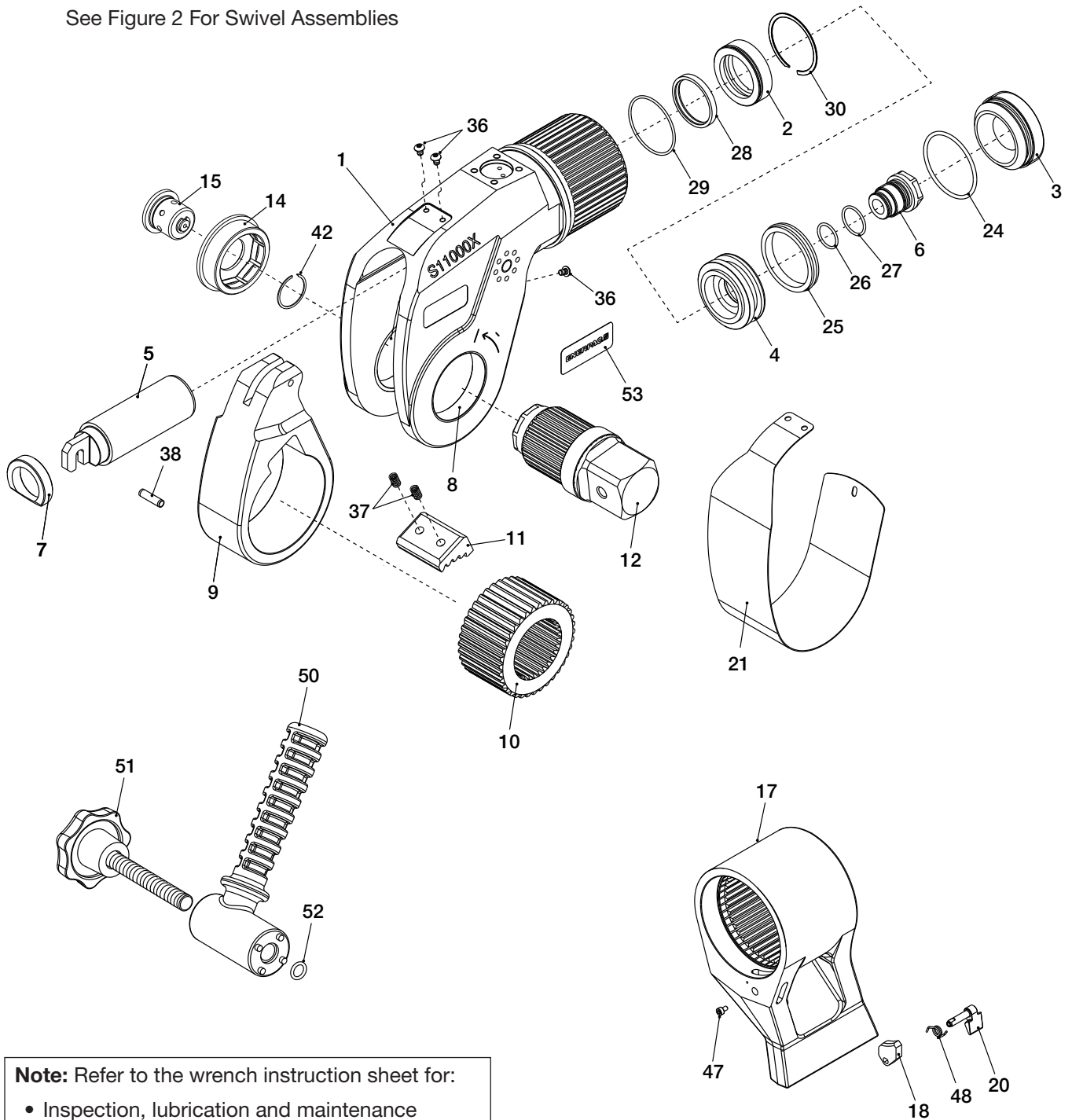


#### Contents:

	Pages
Figure 1, Wrench Assembly.....	2-3
Figure 2, Swivel Assemblies.....	4-5
Table 3, Carrying Case.....	5



See Figure 2 For Swivel Assemblies



**Note:** Refer to the wrench instruction sheet for:

- Inspection, lubrication and maintenance instructions.
- Torque specifications for selected fasteners.

Figure 1, Wrench Assembly, Model S11000X

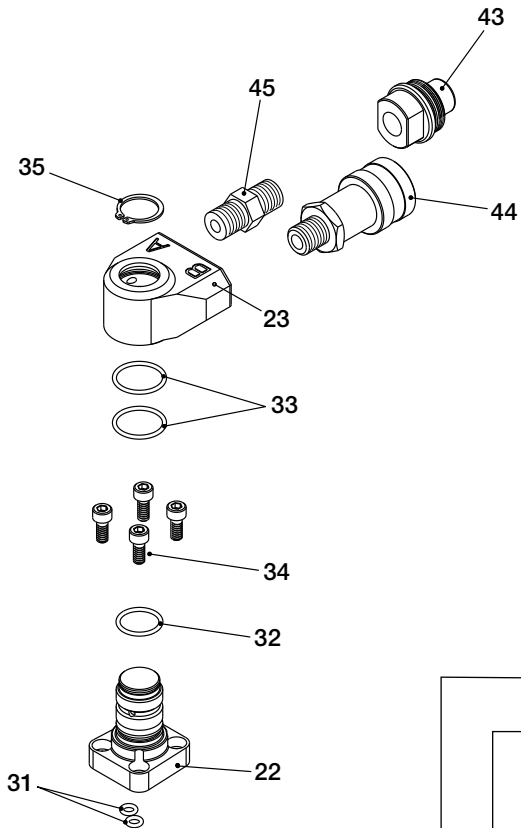
### Repair Parts List for Figure 1

Item	Part Number	Quantity (used on wrench)	Quantity (included in each kit)								(*) Item available separately OR in kit.	Description
			Seal Kit, S11000X S11000XSK	Cylinder Rebuild Kit S11000DK	Ratchet Kit S11000RK	Guard Kit S11000GK	Square Drive Retainer Kit S11000SDRK	Reaction Arm Parts Kit S11000XRAK	Spare Parts Kit S11000XSPK	Angled Positioning Handle Kit SWH10A		
1	(Not Available)	1										Wrench Body (housing)
2	11000S102	1		1								Body Bushing
3	11000S103	1										Cylinder Gland
4	11000S104	1		1								Piston
5	11000S133	1		1							*	Piston Rod
6	11000S106	1		1							*	Piston Locknut
7	11000S107	1		1								Piston Rod Bushing
8	11000S108	2										Sideplate Bushing
9	11000S132A	1										Ratchet Lever (includes pin, item 38)
10	11000S110	1			1						*	Ratchet
11	11000S111	1			1							Drive Shoe
12	SD110-108	1										Square Drive
14	11000S129	1					1					Retaining Bushing
15	6000S148A	1					1				*	Holder Assembly, Square Drive
17	SRS110X	1										Reaction Arm (includes items 18, 20, 47, 48)
18	11000S216	1						1				Reaction Arm Retainer
20	11000S218SRS	1						1				Lever, Reaction Arm Retainer
21	11000S134	1				1						Guard
24	E2254	1	1								*	O-Ring
25	E2098	1	1								*	Piston T-Seal
26	E2238	1	1									O-Ring
27	E2240	1	1									O-Ring
28	E2226	1	1									Rod T-Seal
29	E2310	1	1								*	O-Ring
30	E4557	1	1	1					1		*	Retaining Ring
36	CBA411028-1E	3				3			3			Screw, Button Head
37	E3016K	2			1				2			Spring, Drive Shoe (packet of 10)
38	CCA523057-2A	1		1	1				1			Pin, Spirol Spring
42	E4657	1					1		1			Retaining Ring
47	E4857K	1							1			Socket Hd Cap Screw (packet of 5)
48	E3108K	1						1	1			Torsion Spring (packet of 5)
50	DM0340070	1								1		Handle, Angled
51	DM0306147	1								1		Thumbscrew
52	E2393	1								1		O-Ring
53	SL100142	1							1			Label, Enerpac

**Notes:**

- Enerpac recommends that all kit components be installed to assure optimum performance of the repaired product.
- Items 37, 47 and 48: Packet quantity is provided only when item is ordered separately and not included in a kit.

### Standard Swivel



### Notes:

- Refer to page 5 for parts kit information.
- Wrenches with model numbers ending in "PX" are factory equipped with the TSP300 Swivel Assembly.

Refer to the wrench instruction sheet for:

- Inspection, lubrication and maintenance instructions.
- Torque specifications for selected fasteners.

### TSP300 Swivel (optional accessory)

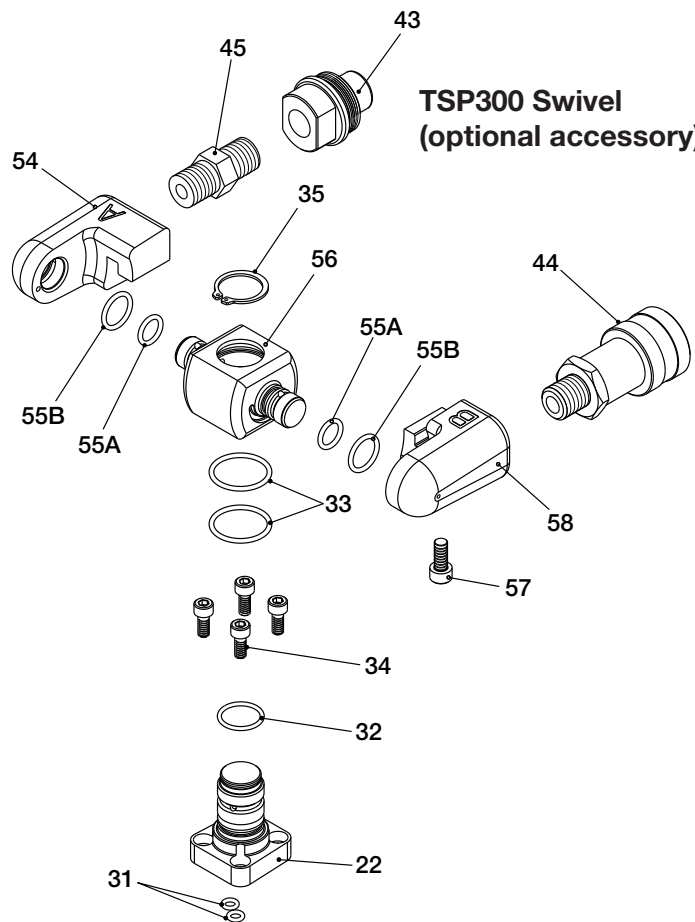


Figure 2, Swivel Assemblies, Model S1100X

Repair Parts List for Figure 2											
Item	Part Number	Quantity (used on wrench)		Quantity (included in each kit)						(*) Item available separately OR in kit.	Description
		Model S11000X	Model S11000PX	Seal Kit, S11000X S11000XSK	Spare Parts Kit S11000XSPK (For Standard Swivel)	Swivel Manifold Seal Kit TSP300MSK	Swivel Post and Manifold Kit SP300MKB (For Standard Swivel)	Swivel Manifold Kit TSP300 (For TSP300 Swivel)	Swivel Post and Manifold Kit TSP300MKB (For TSP300 Swivel)		
22	W8000126	1	1				1		1	*	Swivel Manifold Post (medium)
23	SP300101	1	---				1			*	Swivel Manifold Block (non-tilt)
31	E2304	2	2	2		2	2		2	*	O-Ring
32	E2238	1	1	1		1	1	1	1		O-Ring
33	E2240	2	2	2		2	2	2	2		O-Ring
34	CCA517028-1A	4	4	4	4		4		4		Swivel Manifold Retaining Bolt
35	E4856	1	1	1	1	1	1	1	1		Retainer Ring, Circlip
43	TH630	1	1		1		1	1	1		Nipple, 10,000 PSI Screw-On
44	TR630	1	1		1		1	1	1		Coupling, 10,000 PSI Screw-On
45	FZ1608	1	1		1		1	1	1		Adaptor, Hex 10,000 PSI
54	TSP300101	---	1					1	1		Swivel Arm, Pressure A
55A	E2235	---	2			2		2	2		O-Ring, Double Swivel (small)
55B	E2173	---	2			2		2	2		O-Ring, Double Swivel (large)
56	TSP300103	---	1					1	1		Manifold Block, Double Swivel
57	E4650	---	1			1		1	1		Capscrew, Swivel Arm
58	TSP300102	---	1					1	1		Swivel Arm, Return B

**Note:** Enerpac recommends that all kit components be installed to assure optimum performance of the repaired product.

Repair Parts Table 3 for Hydraulic Torque Wrench Case			
Item	Part Number	Qty.	Description
1	M2360	1	Carrying Case, S11000X





