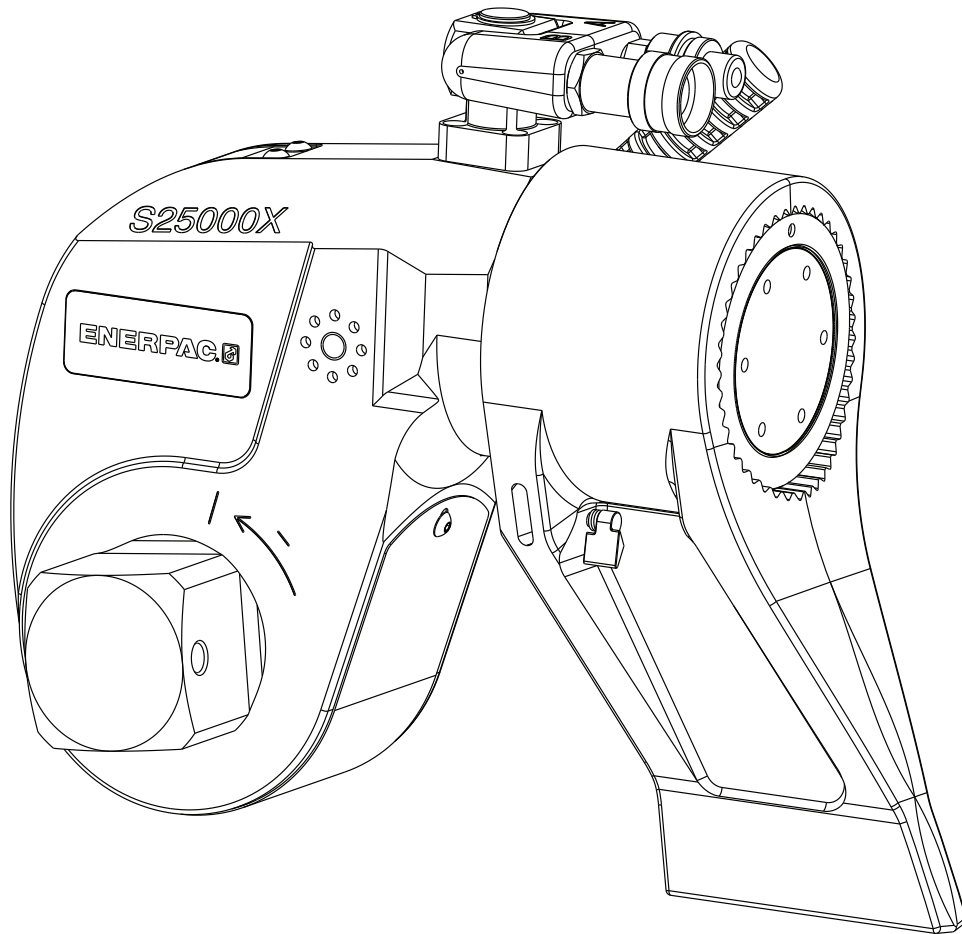
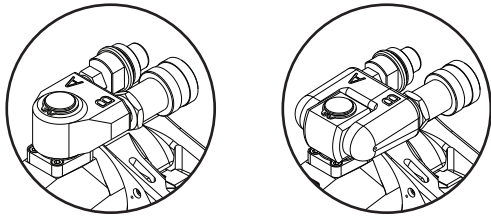


To Protect Your Warranty, Use Only ENERPAC Hydraulic Oil.

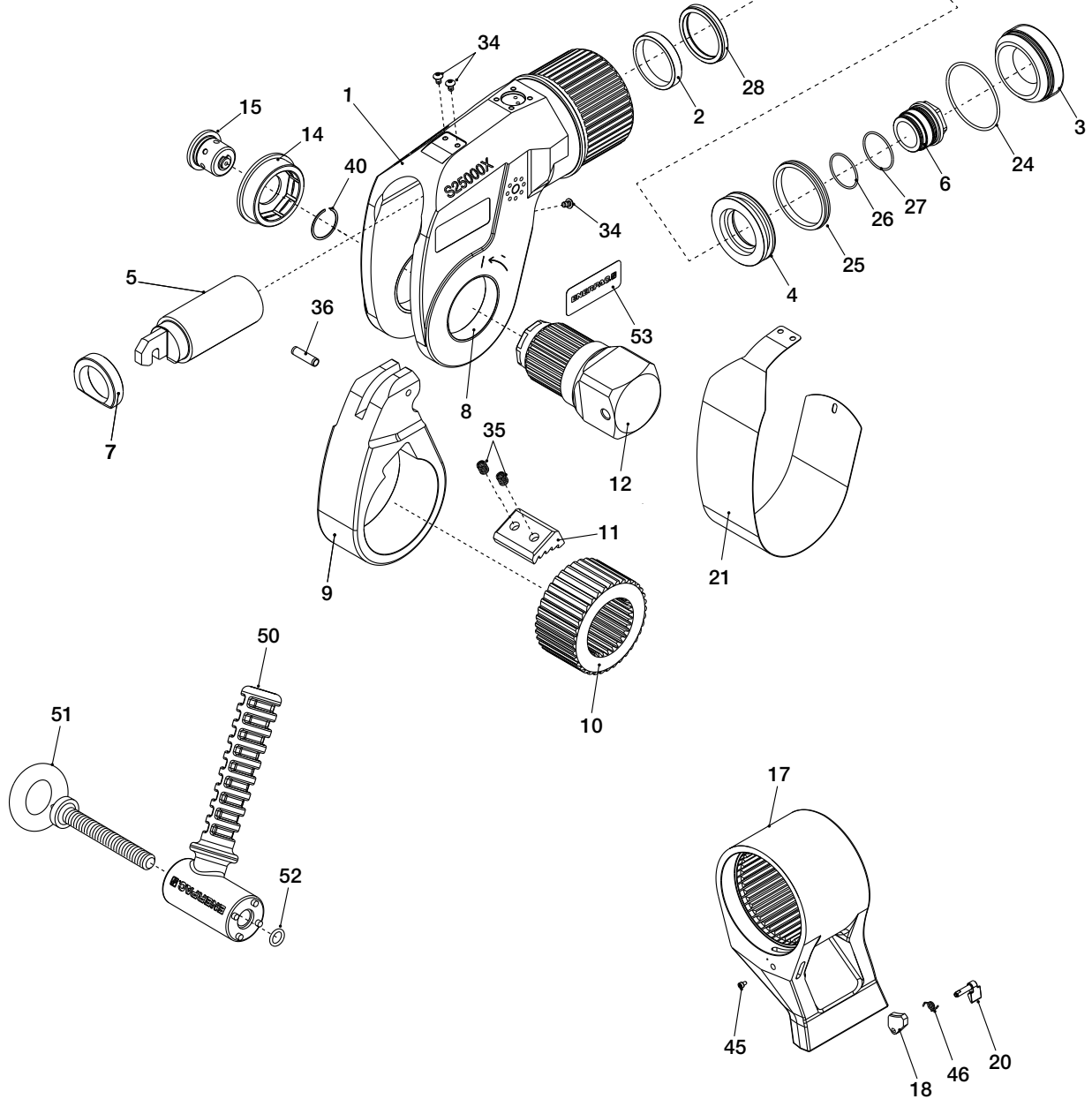
Enerpac recommends that all kit components be installed to insure optimum performance of the repaired product.



Contents:	Pages
Figure 1, Wrench Assembly.....	2-3
Figure 2, Swivel Assemblies.....	4-5
Table 3, Carrying Case.....	5



See Figure 2 For Swivel Assemblies



Note: Refer to the wrench instruction sheet for:

- Inspection, lubrication and maintenance instructions.
- Torque specifications for selected fasteners.

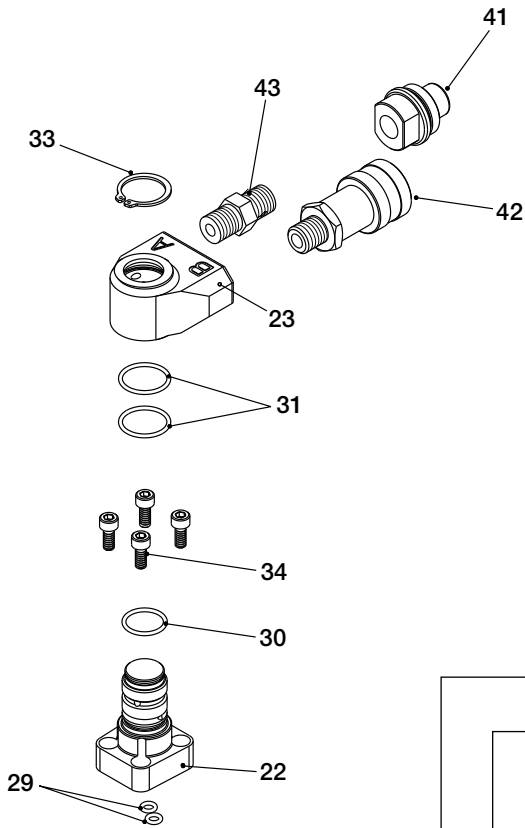
Figure 1, Wrench Assembly, Model S25000X

Repair Parts List for Figure 1

Item	Part Number	Quantity (used on wrench)	Quantity (included in each kit)							(*) Item available separately OR in kit.	Description	
			Seal Kit, S25000X S25000XSK	Cylinder Rebuild Kit S25000DK	Ratchet Kit S25000RK	Guard Kit S25000GK	Square Drive Retainer Kit S25000SDRK	Reaction Arm Parts Kit S25000XRAK	Spare Parts Kit S25000XSPK			Angled Positioning Handle Kit SWH10EA
1	(Not Available)	1										Wrench Body (Housing)
2	25000S102	1		1								Body Bushing
3	25000S103	1										Cylinder Gland
4	25000S104	1		1								Piston
5	25000S105	1		1							*	Piston Rod
6	25000S106	1		1							*	Piston Locknut
7	25000S107	1		1								Piston Rod Bushing
8	25000S108	2										Sideplate Bushing
9	25000S109A	1										Ratchet Lever (includes pin, item 36)
10	25000S110	1			1						*	Ratchet
11	25000S111	1			1							Drive Shoe
12	SD250-208	1										Square Drive
14	25000S114	1					1					Retaining Bushing
15	25000S115A	1					1				*	Holder Assembly, Square Drive
17	SRS250X	1										Reaction Arm
18	25000S216	1						1				Reaction Arm Retainer
20	11000S218SRS	1						1				Lever, Reaction Arm Retainer
21	25000S120	1				1						Guard
24	E2166	1	1								*	O-Ring
25	E2171	1	1								*	Piston T-Seal
26	E2363	1	1									O-Ring
27	E2364	1	1									O-Ring
28	E2362	1	1									Rod T-Seal
34	CBA513028-1E	3				3			3			Screw, Button Head
35	E3006K	2			1				2			Spring, Drive Shoe (packet of 10)
36	CCA627057-2A	1		1	1				1			Pin, Spirol Spring
40	E4690	1					1		1			Retaining Ring
45	E4857K	1						1	1			Socket Hd Cap Screw (packet of 5)
46	E3108K	1						1	1			Torsion Spring (packet of 5)
50	DM0340070	1								1		Handle, Angled
51	DM0219070	1								1		Eyebolt
52	E2393	1								1		O-Ring
53	SL100143	1							1			Label, Enerpac

Notes: • Enerpac recommends that all kit components be installed to assure optimum performance of the repaired product.
 • Items 35, 45 and 46: Packet quantity is provided only when item is ordered separately and not included in a kit.

Standard Swivel



Notes:

- Refer to page 5 for parts kit information.
- Wrenches with model numbers ending in "PX" are factory equipped with the TSP300 Swivel Assembly.

Refer to the wrench instruction sheet for:

- Inspection, lubrication and maintenance instructions.
- Torque specifications for selected fasteners.

TSP300 Swivel (optional accessory)

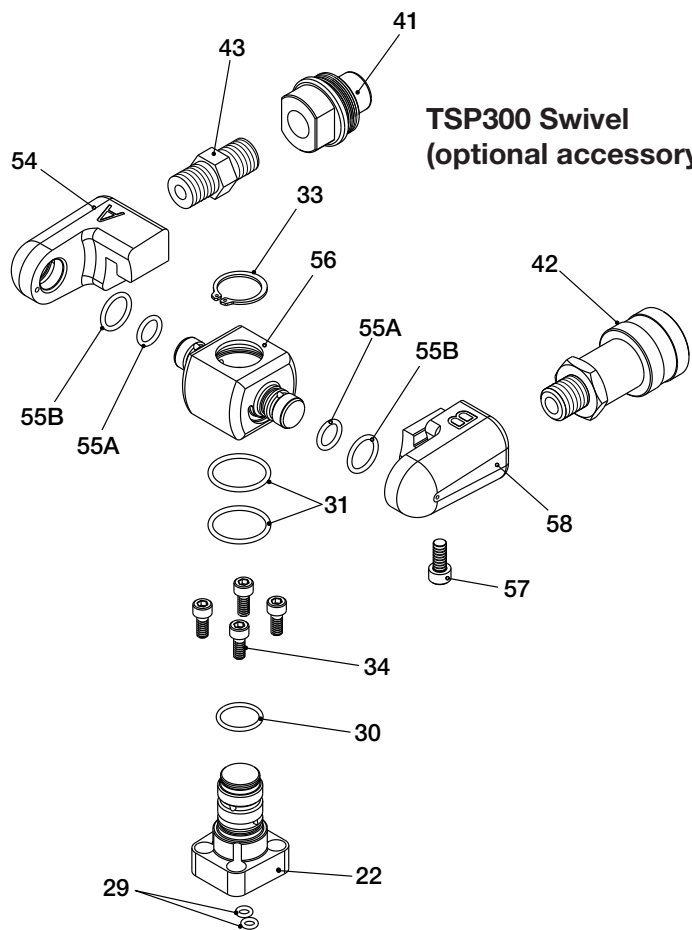


Figure 2, Swivel Assemblies, Model S25000X

Repair Parts List for Figure 2

Item	Part Number	Quantity (used on wrench)		Quantity (included in each kit)						(*) Item available separately OR in kit.	Description
		Model S25000X	Model S25000PX	Seal Kit, S25000X S25000XSK	Spare Parts Kit S25000XSPK (For Standard Swivel)	Swivel Manifold Seal Kit TSP300MSK	Swivel Post and Manifold Kit SP300MKC (For Standard Swivel)	Swivel Manifold Kit TSP300 (For TSP300 Swivel)	Swivel Post and Manifold Kit TSP300MKC (For TSP300 Swivel)		
22	W35000226	1	1				1		1	*	Swivel Manifold Post (large)
23	SP300101	1	---				1			*	Swivel Manifold Block (non-tilt)
29	E2304	2	2	2		2	2		2	*	O-Ring
30	E2238	1	1	1		1	1	1	1		O-Ring
31	E2240	2	2	2		2	2	2	2		O-Ring
33	E4856	1	1	1	1	1	1	1	1		Retainer Ring, Circlip
34	CCA517028-1A	4	4	4	4		4		4		Swivel Manifold Retaining Bolt
41	TH630	1	1		1		1	1	1		Nipple, 10,000 PSI Screw-On
42	TR630	1	1		1		1	1	1		Coupling, 10,000 PSI Screw-On
43	FZ1608	1	1		1		1	1	1		Adaptor, Hex 10,000 PSI
54	TSP300101	---	1					1	1		Swivel Arm, Pressure A
55A	E2235	---	2			2		2	2		O-Ring, Double Swivel (small)
55B	E2173	---	2			2		2	2		O-Ring, Double Swivel (large)
56	TSP300103	---	1					1	1		Manifold Block, Double Swivel
57	E4650	---	1			1		1	1		Capscrew, Swivel Arm
58	TSP300102	---	1					1	1		Swivel Arm, Return B

Note: Enerpac recommends that all kit components be installed to assure optimum performance of the repaired product.

Repair Parts Table 3 for Hydraulic Torque Wrench Case			
Item	Part Number	Qty.	Description
1	M2720	1	Carrying Case, S25000X Models

