



OPTIONAL/ADDITIONAL EQUIPMENT

TIE CLIP LAVALIER WIRELESS MIC SYSTEM / #WM-190TC

A compact, pocket-size, wireless system with tie-clip, lavalier type microphone. Includes transmitter, receiver and tie clip mic. Move freely up to 200 ft. Operates on two 9V batteries.



WIRED-WIRELESS MIC SYSTEM / #WM-100H

Hand-held wireless mic system. Receiver has antenna and on/off switch. Transmitter is built into mic. Move freely up to 50 ft. Mic uses AA battery; receiver uses AAA battery.



12V LANTERN STYLE RECHARGEABLE BATTERY / #PS12V

12V 5 amp rechargeable battery pack w/included cable connects to any of our lecterns for battery power. 20 hr life.



Also Available from Oklahoma Sound Corp.



MODEL #111 PLS



MODEL # 950/901/910



MODEL #222

To see our full line visit www.oklahomasound.com

OKLAHOMA SOUND CORP.

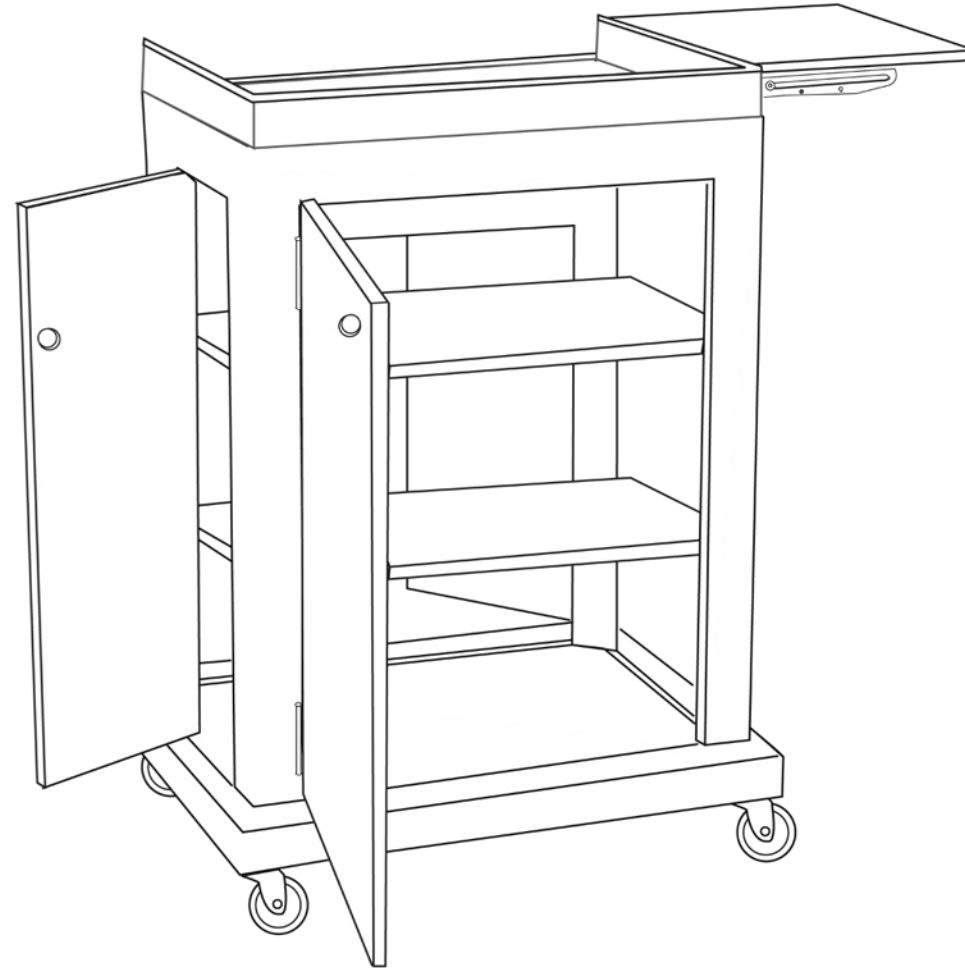
149 Entin Road, Clifton, NJ 07014

Tel: 973-594-9000 • Fax: 973-594-9339

Web-Site www.oklahomasound.com • e-mail: info@oklahomasound.com

Smart Cart Lectern

INSTRUCTION MANUAL



MODEL #SCL/SCL-S



OKLAHOMA SOUND CORPORATION

Lecterns With Built-In Sound Systems

Dear Valued Customer,

Thank you for your purchase. Although extreme care goes into manufacturing and packaging of this product, mistakes are possible. If you encounter any missing parts or difficulty in assembly, etc. please call our toll free customer service line at 1-800-261-4112 for courteous and immediate resolution to your problem.

Sincerely,

OKLAHOMA SOUND CORPORATION

Required Tools for Assembly

1) Crescent Wrench



2) Philips Screwdriver



3) Flat Screwdriver


























4) Rubber Mallet (suggested)



Smart Cart Lectern

Part	Description	Qty
A	Front door frame	1 Each
B	Back door frame <i>(sound version)</i>	1 Each
C	Non sliding top <i>(sound version)</i>	1 Each
D	Left side door frame	1 Each
E	Right Side Panel	1 Each
F	Base	1 Each
G	Slide shelf	1 Each
H	Front door/Back Door	2 Each
I	Side Door	1 Each
J	Side Shelf	1 Each
K	Interior Shelf	2 Each

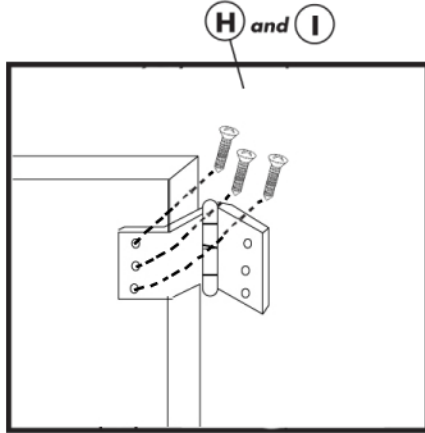
	Cam-Bolt	30 Each		
	Cam-Lock	30 Each		
	Magnetic Door Catch for SCL-S	3 Each 2 Each		
	Magnetic Door Catch Plate for SCL-S	3 Each 2 Each		
	Lock Cylinder for SCL-S	4 Each 3 Each		
	Key for SCL-S	8 Each 6 Each		
	Plastic Grommet	4 Each		
	Caster	4 Each		
	Slide Track Base	2 Each		
	Slide Track Extensions	2 Each		
	Door Hinge for SCL-S	6 Each 4 Each		
	Black Screw for SCL-S	40 Each 35 Each		
	Gold Screw for SCL-S	36 Each 24 Each		
	Lag Screw	16 Each		
	Power Strip	1 Each		
	Black Shelf Brackets	2 Each		
	Shelf Pegs for Inside Shelf	8 Each		
For Sound Units	 Amplifier	1 Each	 Mic Holder	1 Each
	 Condenser Mic	1 Each	 Clock	1 Each
	 Tie-Clip Mic	1 Each	 Gooseneck	1 Each

Step 1: Insert all hardware into unit.

Step 1A:

Take hinges and secure them to the doors (panels H(2) and I) using three gold screws per hinge.

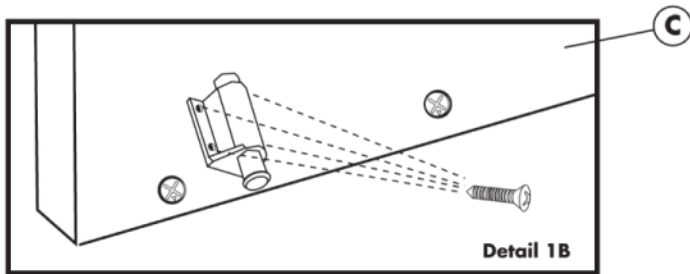
Tools Required:
Phillips Head Screwdriver
Crescent Wrench



Detail 1A

Step 1B:

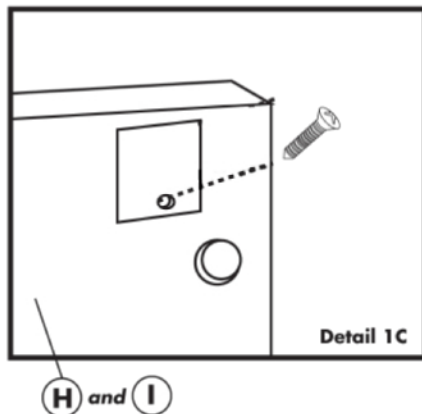
Attach magnetic door catch (3) to the bottom side of panel C using four black screws per piece using pre-drilled holes as a guide.



Detail 1B

Step 1C:

Using black screws, Attach 3 magnetic door catch plates to top side of door panels (H and I) using predrilled holes as a guide.

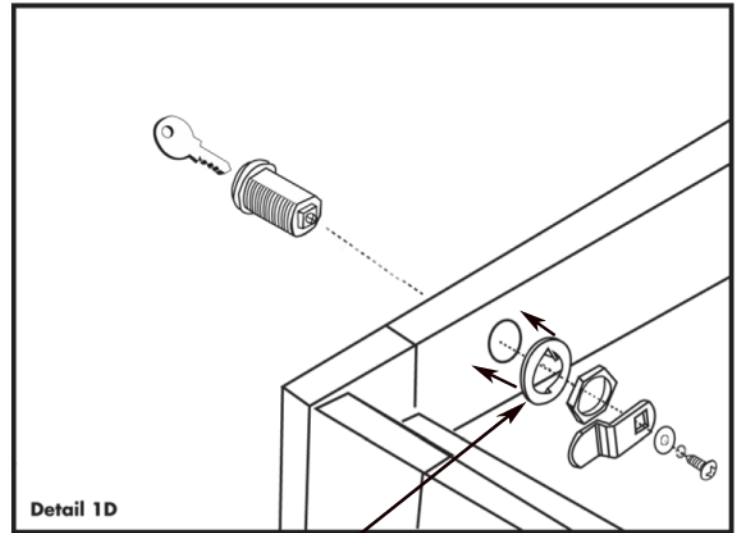
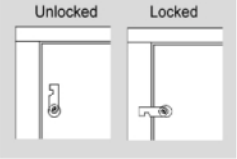


Detail 1C

Step 1D:

Install all four locks to the doors (3) and to the frame of the unit (1) as shown. Tighten using crescent wrench.

When installing the locks, use the following positions:

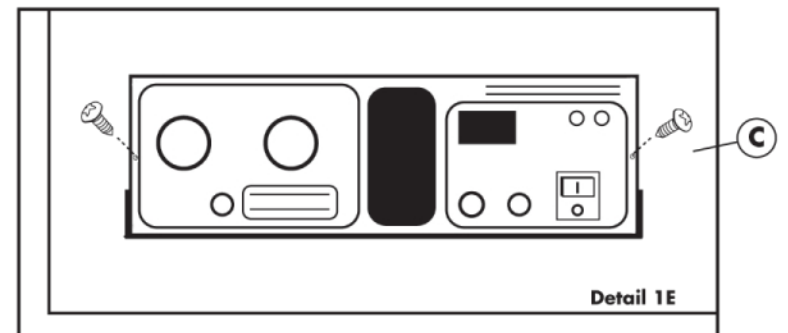


Detail 1D

Using a mallet, secure the teeth of lock washer ring into laminate around predrilled hole. Then proceed with assembling other included hardware.

Step 1E:

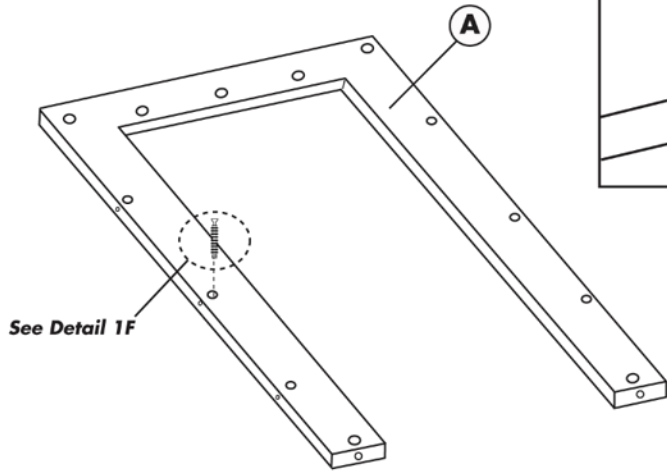
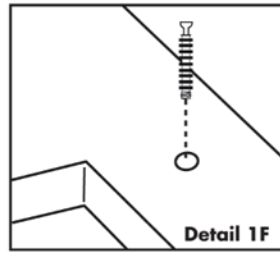
For sound version only. Using black screws, attach the Oklahoma Sound Series 200 Amplifier to Panel C as shown. Face of Amplifier should be facing upward (finished side of panel C). Wait until unit is fully assembled before installing amplifier.



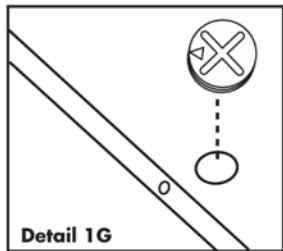
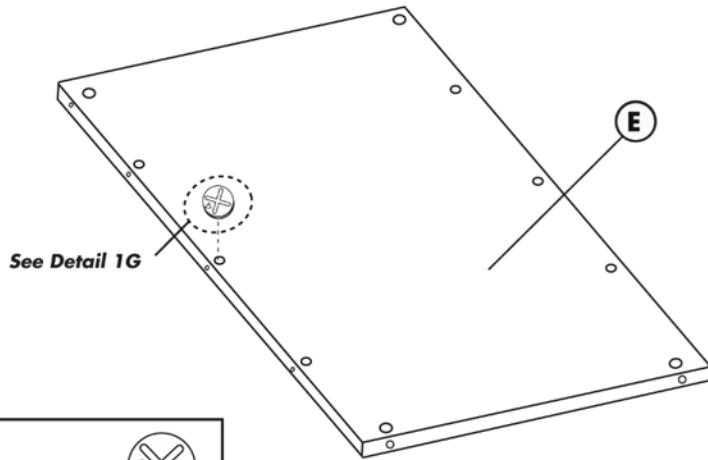
Detail 1E

Step 1F:

Insert all cam-bolts and cam-locks into pre-drilled holes. Make sure all arrows on locks are facing pre-drilled cam-bolts holes. See diagram.



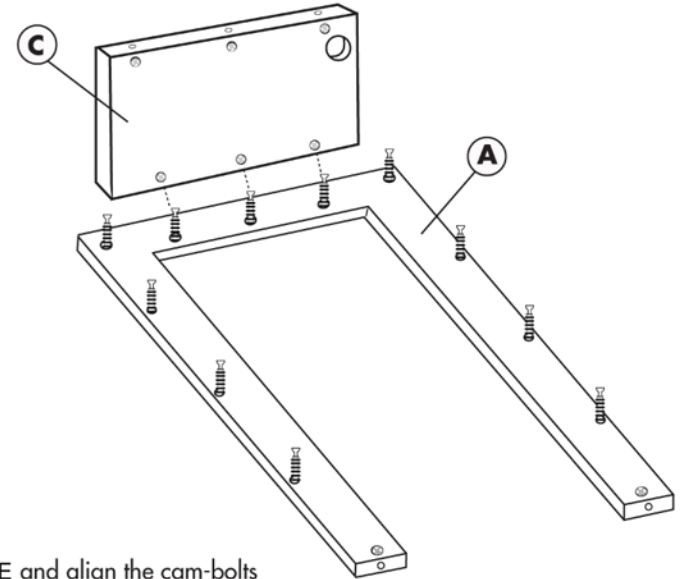
Please Note:
Panel A B and F use cam-bolts.



Please Note:
Panel BCD and E use cam-locks

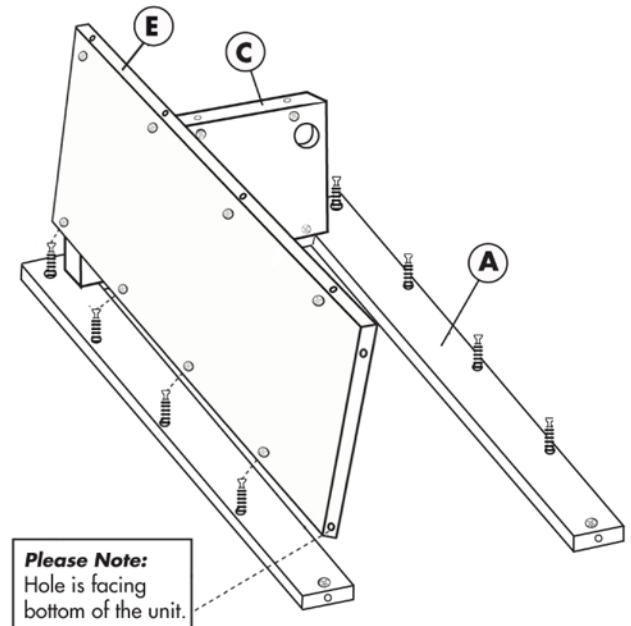
Step 2:

Take panel C and align the 3 cam-locks with the cam-bolts on the front side of the panel A. Grommet hole should be in the top right corner during assembly. Push panel down until flush against panel A. Tighten cam-locks by turning them clockwise.



Step 3:

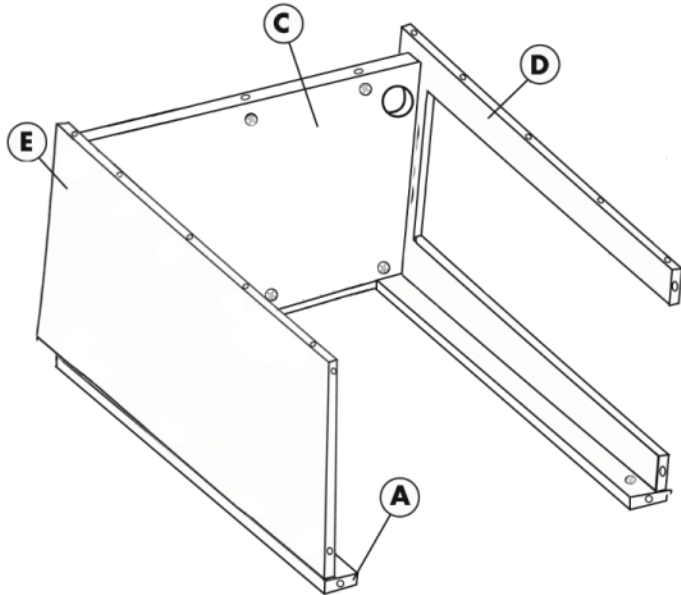
Take panel E and align the cam-bolts from panel A to the pre-drilled cam-lock holes on panel E.



Please Note:
Hole is facing bottom of the unit.

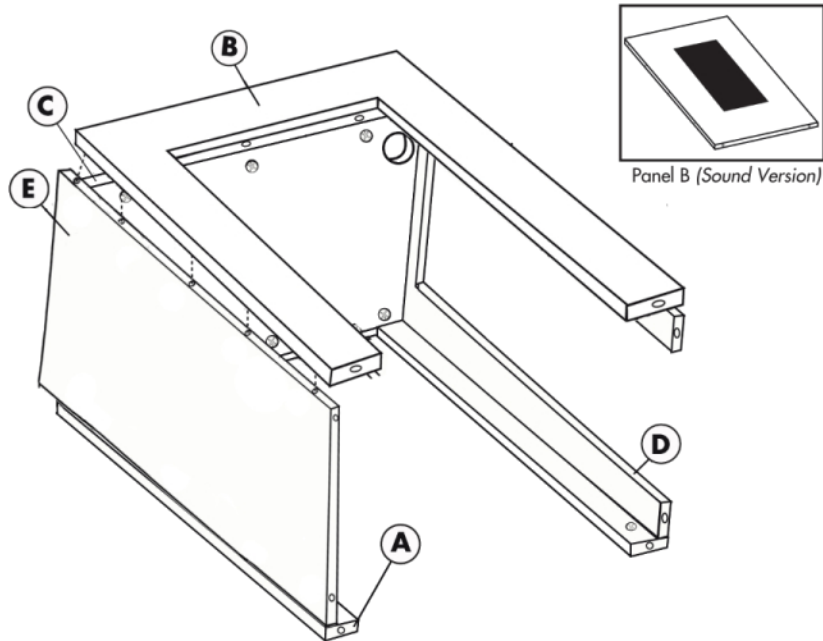
Step 4:

Repeat step 3 with panel D. See diagram.



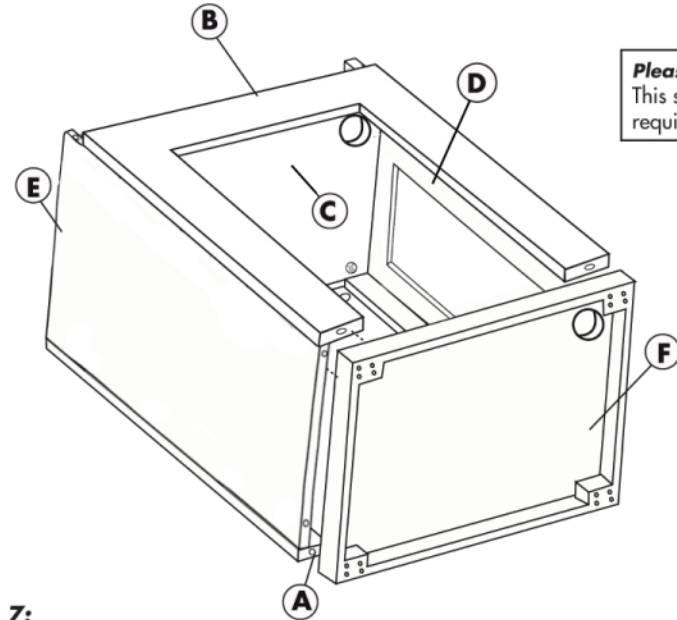
Step 5:

Align cam-bolts from panel B with pre-drilled holes on panels C, D and E. Make sure all sides are flush and tighten cam-locks.



Step 6:

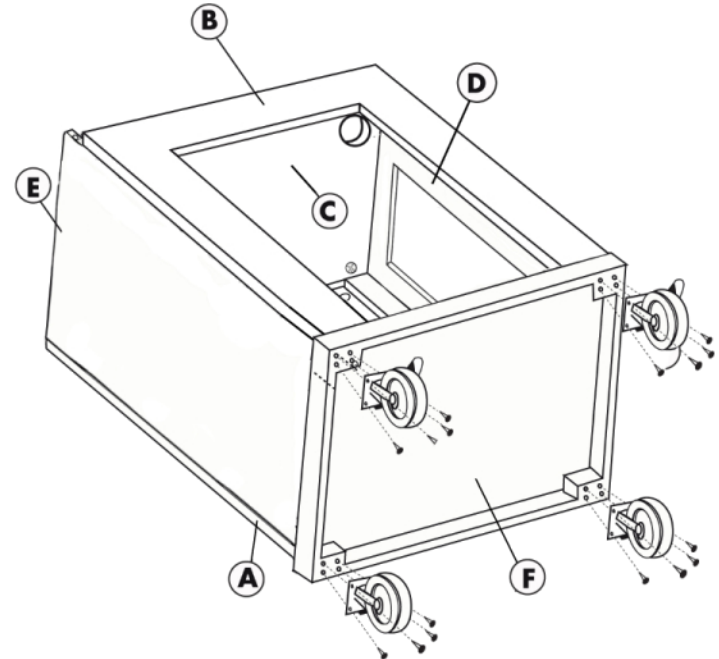
Align the 8 cam-bolts from panel F to the 8 pre-drilled holes on the bottom of the unit. Once all sides are flush tighten all cam-locks.



Please Note:
This step may require 2 people.

Step 7:

Attach 4 castors to bottom side of panel F using silver lag screws provided, using pre-drilled holes as a guide.

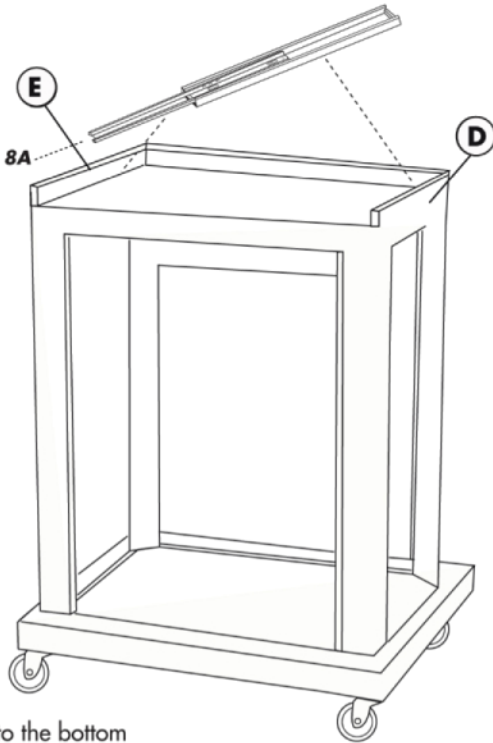
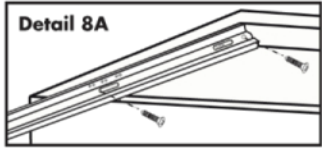


Step 8:

Attach accurate slide track base to the inside of panels D and E using pre-drilled holes as a guide.

See Detail 8A

Detail 8A

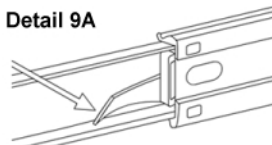


Step 9:

Attach accurate slide track extensions to the bottom of panel G using pre-drilled holes as a guide.

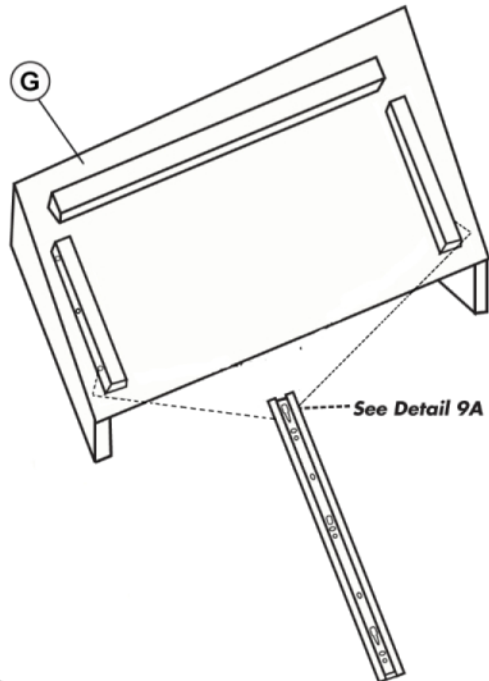
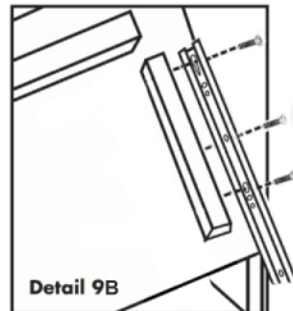
Separate slide track extensions from slide track, by pressing plastic lever as shown below.

Detail 9A



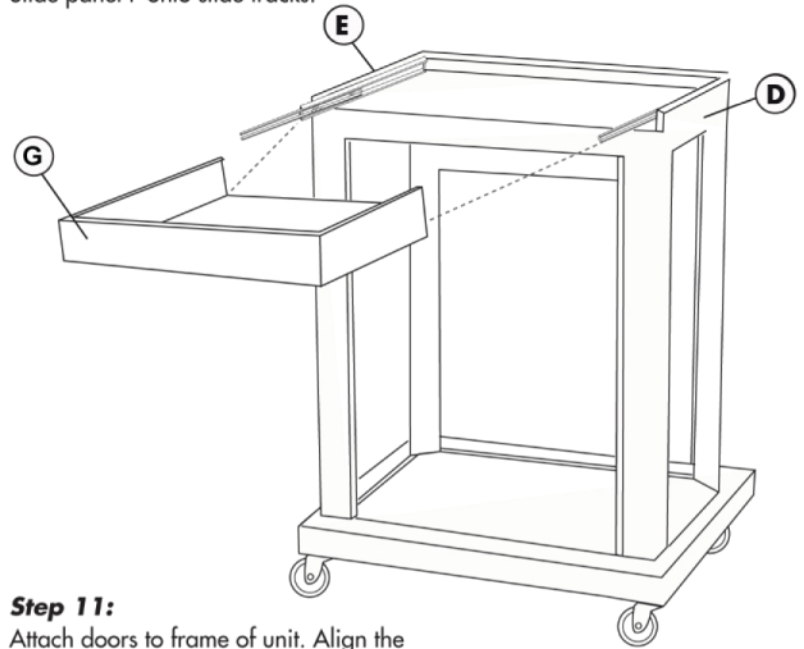
See Detail 9A

Detail 9B



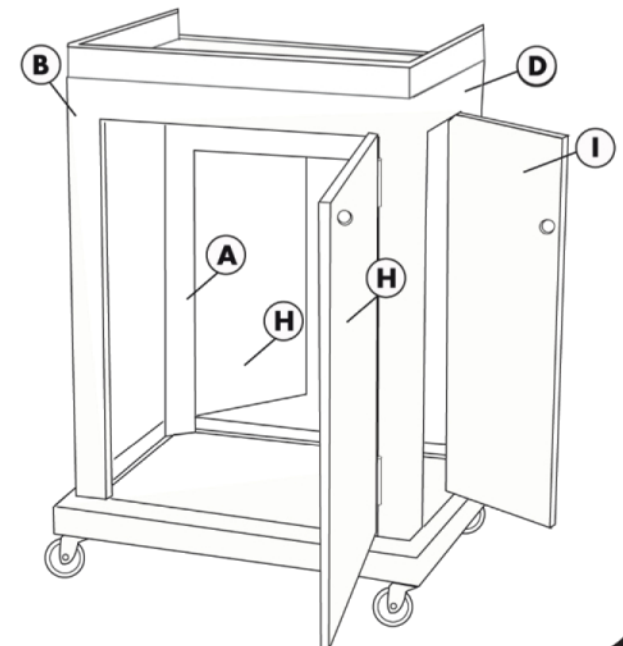
Step 10:

Slide panel F onto slide tracks.



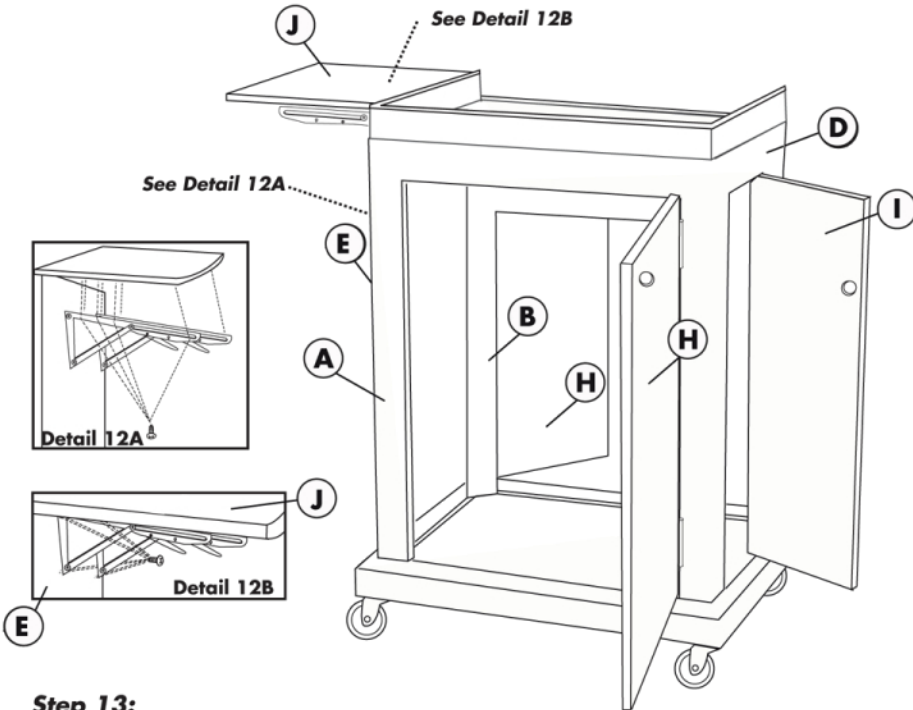
Step 11:

Attach doors to frame of unit. Align the hinges into notched groove on door frames, and secure them into the frame using gold screws provided.



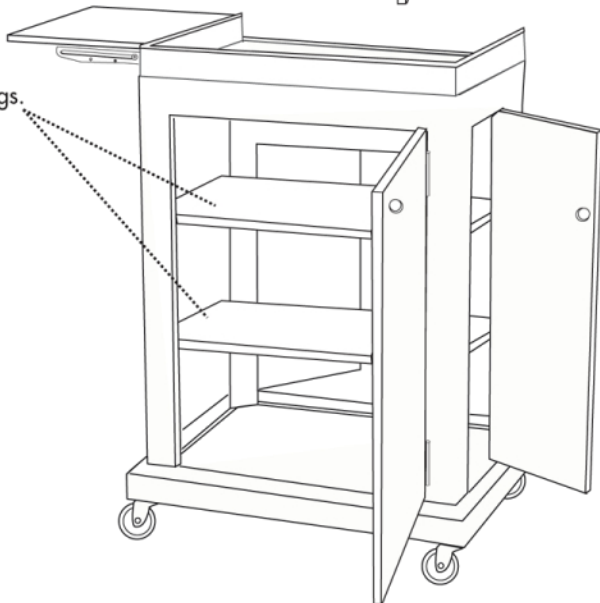
Step 12:

Take panel J and align the pre-drilled holes with the holes on the top side of the bracket. Secure panel J to side shelf bracket (Detail 12A), using black screws. Take panel J with bracket attached and secure bracket into upright position. Align holes on bracket with the pre-drilled holes on panel D and secure bracket to unit. Detail 12B.



Step 13:

Install shelf pegs at desired height and place shelf onto pegs.



Step 14: (Sound Version Only)

Connect the female end of the white jumper coming from the amplifier to the male end coming from the speaker.

Specifications of usage.

To put locks into locked position insert key and turn to the right. To unlock turn to the left.

Side shelf is in secured position when the side shelf brackets are locked. To unlock and close shelf, simultaneously press release levers on brackets and ease shelf down.

To put locking castors into locked position place foot onto lever on side of castor and apply pressure. To release brake do the same after you turn wheel so lever is facing upward.

Gooseneck and power strip should be installed wherever you are comfortable using it. To install gooseneck mount, use the three screws packaged in the polybag with the gooseneck mount.

Sound version:

To use Oklahoma Sound amplifier make sure power switch is in the off position and plug unit into 110 v standard electrical outlet. Plug microphone into input labeled mic 1. Turn the amplifier power on, turn microphone power on, adjust volume and you are done.

Touchboards

205 Westwood Ave, Long Branch, NJ 07740
Phone: 866-94 BOARDS (26273) / (732)-222-1511
Fax: (732)-222-7088 | E-mail: sales@touchboards.com