



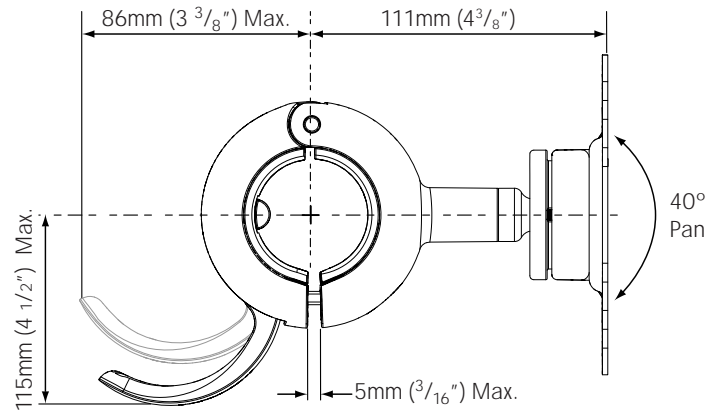
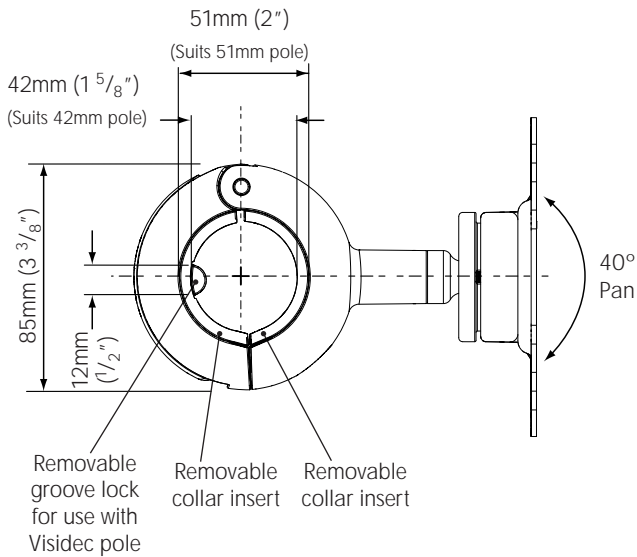
Display | Quickshift Donut

Dimensions

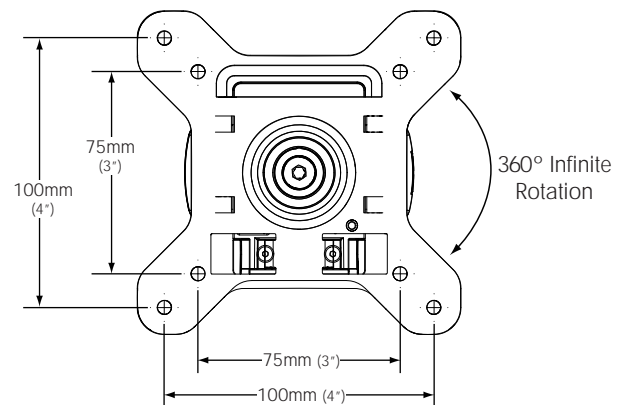
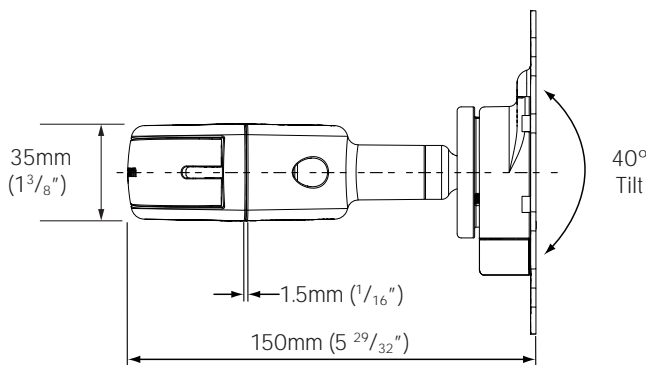
NOTE: The following information shows overall dimensions suitable for 3 configurations: Quickshift Donut 50mm, Quickshift Donut 42mm and Quickshift Donut 42mm with groove lock. For more information regarding these configurations, please refer to the Installation Instructions for Spacedec Display Quickshift Donut.

Maximum Load: 12kgs (26lbs)

! This product is VESA compliant and suits both 75x75mm (3"x3") and 100x100mm (4"x4") LCD display mounting hole patterns.



VESA Hole Configurations



Touchboards

205 Westwood Ave, Long Branch, NJ 07740

Phone: 866-94 BOARDS (26273) / (732)-222-1511

Fax: (732)-222-7088 | E-mail: sales@touchboards.com

