

**SD-DP-420**  
**SD-DP-750**  
**SD-DP-1150**

# Technical Specification

## Touchboards spacedec

205 Westwood Ave, Long Branch, NJ 07740  
 Phone: 866-94 BOARDS (26273) / (732)-222-1511  
 Fax: (732)-222-7088 | E-mail: sales@touchboards.com

Donut Pole | 420mm / 750mm / 1150mm

### General Features

#### Display Compatibility:

Spacedec Donut Pole is compatible with most Flat Panel Displays between 12" (30cm) and 24" (61cm) that feature either 75mm x 75mm or 100mm x 100mm VESA mounting hole patterns

#### Display Weight Compatibility:

Each Quickshift Donut supports a maximum weight of 12kg (26.5lbs)

- Donut Pole 420mm supports a total of 12kg (26.5lbs)
- Donut Pole 750mm supports a total of 24kg (53lbs)
- Donut Pole 1150mm supports a total of 36kg (79.5lbs)

#### Mounting Option:

Spacedec Donut Pole Single, Double and Triple includes Bolt Through and Desk Clamp mounting options

- Desk Clamp suits desktop thicknesses from 12mm (0.5") - 38mm (1.5")
- Bolt Through suits desktop thicknesses from 12mm (0.5") - 40mm (1.5")

#### Cable Management:

Cable Slot, Cable Clips and Cable Balls (included in package)

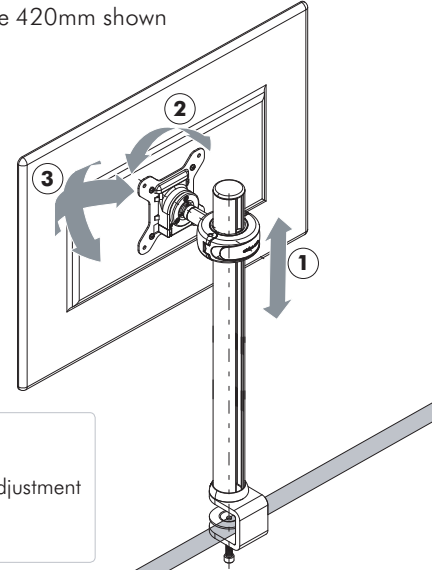
#### Colour:

- Pole, black textured powdercoat
- Quickshift Donut, matt black

#### Warranty:

10 years limited

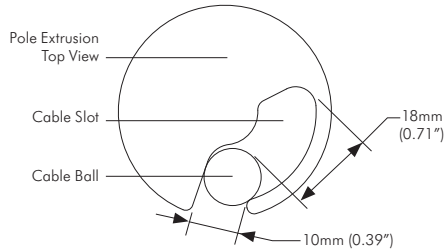
Donut Pole 420mm shown



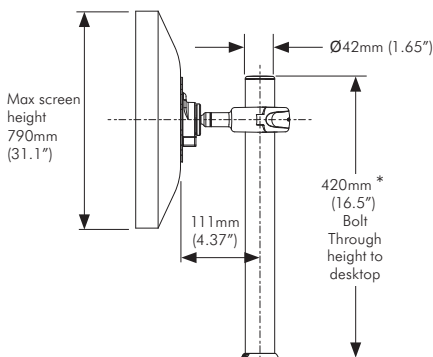
- ① Vertical height adjustment
- ② 360° Portrait/Landscape adjustment
- ③ 40° Pan/Tilt adjustment

### Overall Dimensions

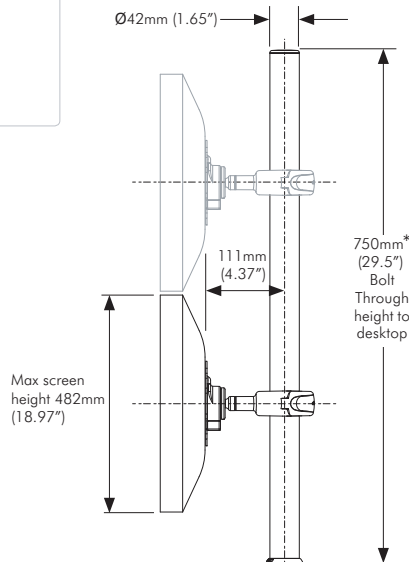
#### Cable Management Slot Detail



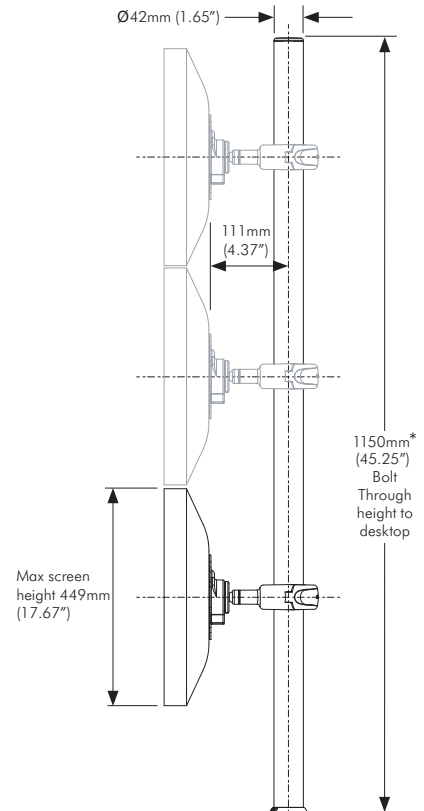
**NOTE:** Only one Quickshift Donut will be supplied with each Pole. Additional Quickshift Donuts are supplied separately.



**DONUT POLE 420mm**



**DONUT POLE 750mm**



**DONUT POLE 1150mm**

\* The Desk Clamp mounting option increases the total height of Spacedec Donut Pole by 10mm (0.39")

