

**SD-DP-420**  
**SD-DP-750**  
**SD-DP-1150**

**Touchboards**

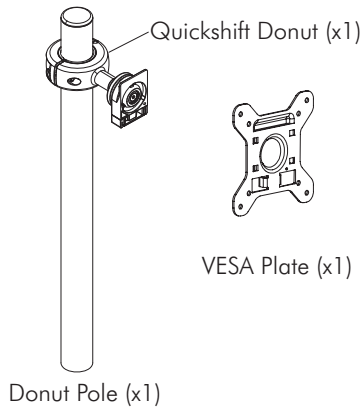
205 Westwood Ave, Long Branch, NJ 07740  
 Phone: 866-94 BOARDS (26273) / (732)-222-1511  
 Fax: (732)-222-7088 | E-mail: sales@touchboards.com

# Installation Instructions

# spacedec

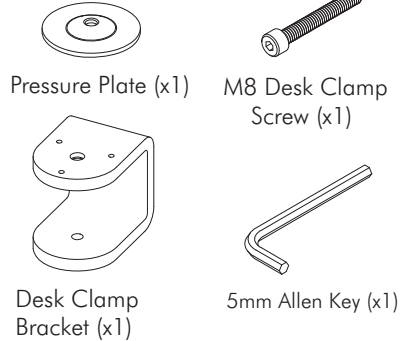
Donut Pole | 420mm / 750mm / 1150mm

## Component Checklist



The Donut Pole comes in three lengths  
 SD-DP-420 is 420mm (16.5")  
 SD-DP-750 is 750mm (29.5")  
 SD-DP-1150 is 1150mm (45.25")

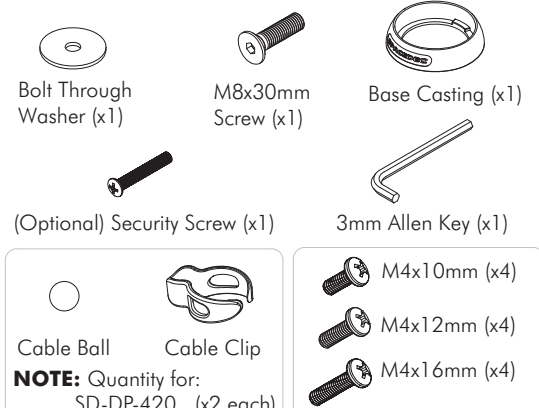
### Desk Clamp



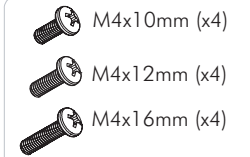
### TOOLS REQUIRED:

- Power Drill
- 10mm (0.38") Drill Bit
- Phillips-head Screwdriver

### Hardware



**NOTE:** Quantity for:  
 SD-DP-420 (x2 each)  
 SD-DP-750 (x4 each)  
 SD-DP-1150 (x6 each)



### Display Mounting Screws

## IMPORTANT INFORMATION:

### ! IMPORTANT - Install Spacedec Donut Pole as per Installation Instructions.

! Each Quickshift Donut supports a maximum weight of 12kg (26.5lbs)

- Donut Pole 420mm supports a total of 12kg (26.5lbs).
- Donut Pole 750mm supports a total of 24kg (53lbs).
- Donut Pole 1150mm supports a total of 36kg (79.5lbs).

! This product supports VESA mounting hole configurations: 75x75mm and 100x100mm.

! The manufacturer accepts no responsibility for incorrect installation.

## Step 1. Check Components

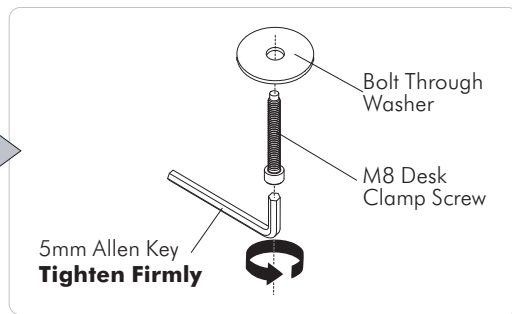
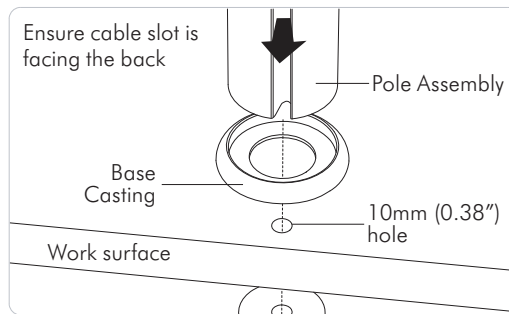
Check you have received all parts against the component checklist and Hardware above.

## Step 2. Mounting Options

### Option A. Bolt Through (Suits desktop thicknesses of 12mm - 40mm [0.5" - 1.5"])

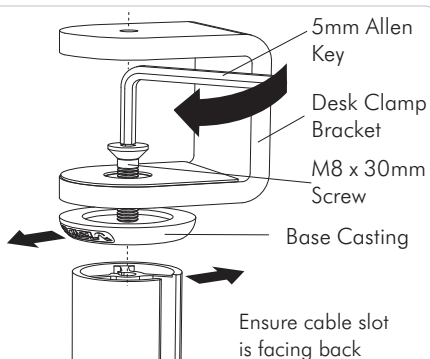
Drill a 10mm (0.38") hole in the work surface at the desired position and assemble as shown.

**Note:** It is recommended that the pole assembly be mounted towards the rear edge of the work surface.



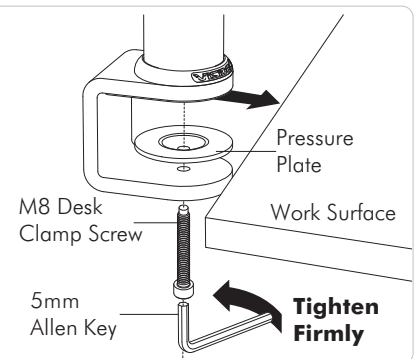
### Option B. Desk Clamp (Suits desktop thicknesses of 12mm - 38mm [0.5" - 1.5"])

Attach the Desk Clamp Bracket to the bottom of the Pole Assembly using the M8 x 30mm Screw. **Tighten Firmly** using the 5mm Allen Key. Ensure the Spacedec Logo on the Base Casting is facing the front as shown.



Attach the Donut Pole Assembly using the Desk Clamp as shown.

**Note:** Desk Clamp suits 12mm (0.5") - 38mm (1.5") thick work surfaces. Adjust the height of the Pressure Plate to suit your work surface.

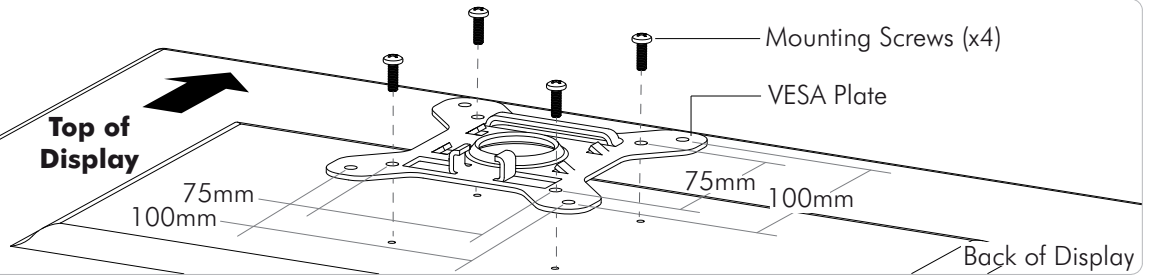


### Step 3. Attach the VESA Plate to your Display

There are two mounting hole configurations:

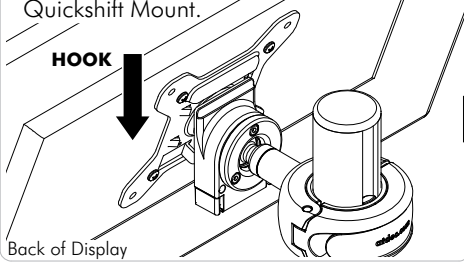
- 75 x 75mm
- 100 x 100mm

Choose appropriate Mounting Screws from the Hardware supplied to suit your Display.

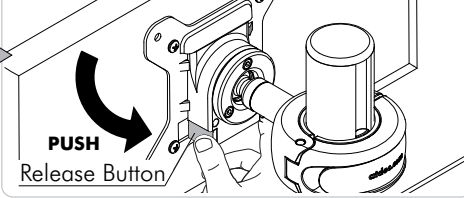


### Step 4. Attach your Display to the Quickshift Mount

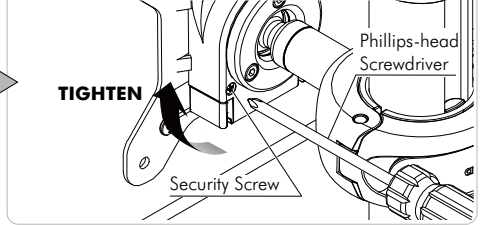
Hook the top of the VESA plate onto the Quickshift Mount.



Press and hold the Release Buttons. Gently push bottom of VESA Plate into Quickshift Mount. Release Buttons to lock in place.

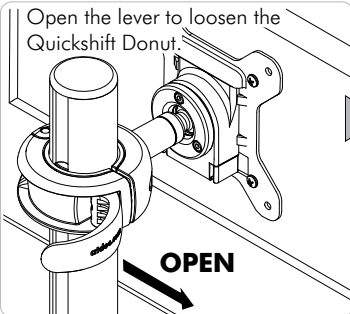


(Optional) Insert the Security Screw, and tighten using a Phillips-head Screwdriver.

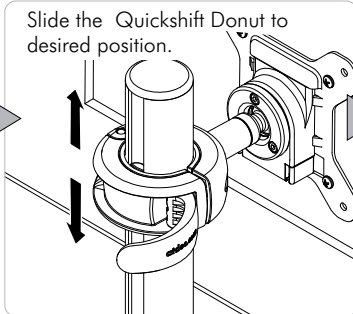


### Step 5. Adjust the height of the Quickshift Donut

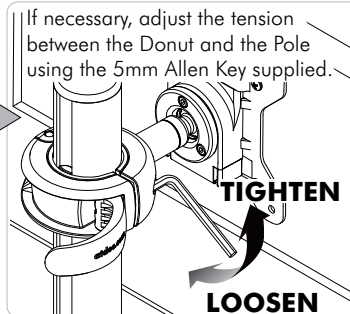
Open the lever to loosen the Quickshift Donut.



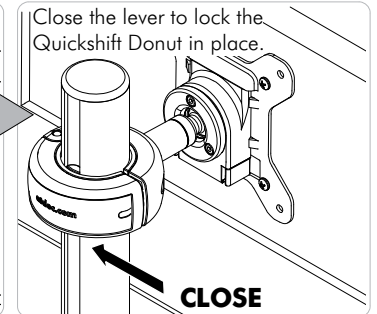
Slide the Quickshift Donut to desired position.



If necessary, adjust the tension between the Donut and the Pole using the 5mm Allen Key supplied.



Close the lever to lock the Quickshift Donut in place.



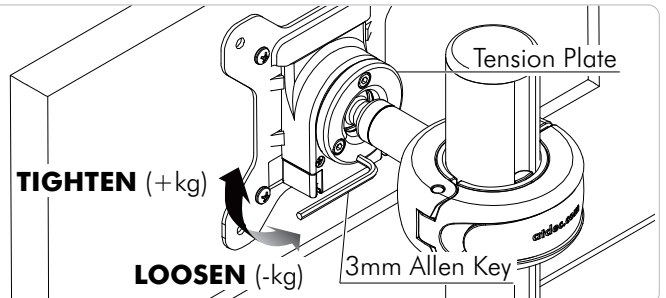
### Step 6. Adjust the VESA Ball Mount

Position your Display to the desired viewing angle using the  $\pm 20^\circ$  tilt allowed by the VESA Ball Mount.

If the display does not hold its position, or is too resistant, adjust the Tension Plate located at the rear of the VESA Ball Mount.

To make any adjustments, use the 3mm Allen Key supplied. Apply half a turn at a time to each screw on the Tension Plate to adjust evenly.

Check the display, and the adjust again if necessary.

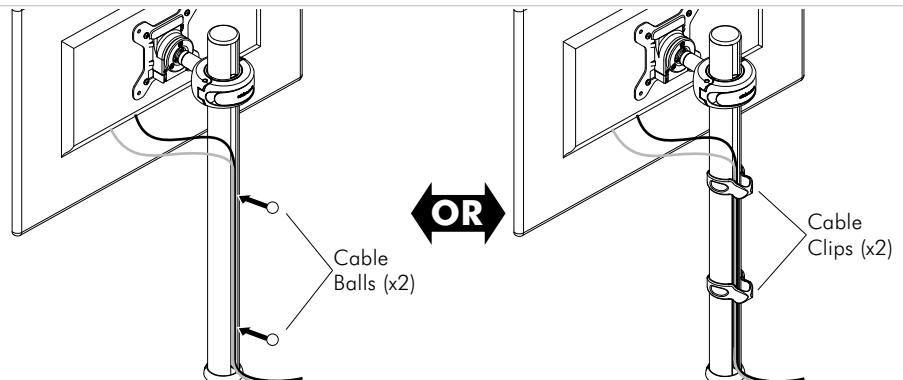


### Step 7. Cable Management

Connect cables to your Displays, routing them down to the rear of the poles.

Push the cables into the slots, using either the Cable Balls or Cable Clips to secure them to the pole as shown.

**Note:** Ensure enough slack is left in cables to allow for movement. When the slot in each pole cannot be used, use the supplied Cable Clips to secure the cables.



### Installation Complete



No portion of this document or any artwork contained herein should be reproduced in anyway without the express written consent Atdec Pty Ltd. Due to continuing product development, the manufacturer reserves the right to alter specifications without notice. Published 09.05.12©