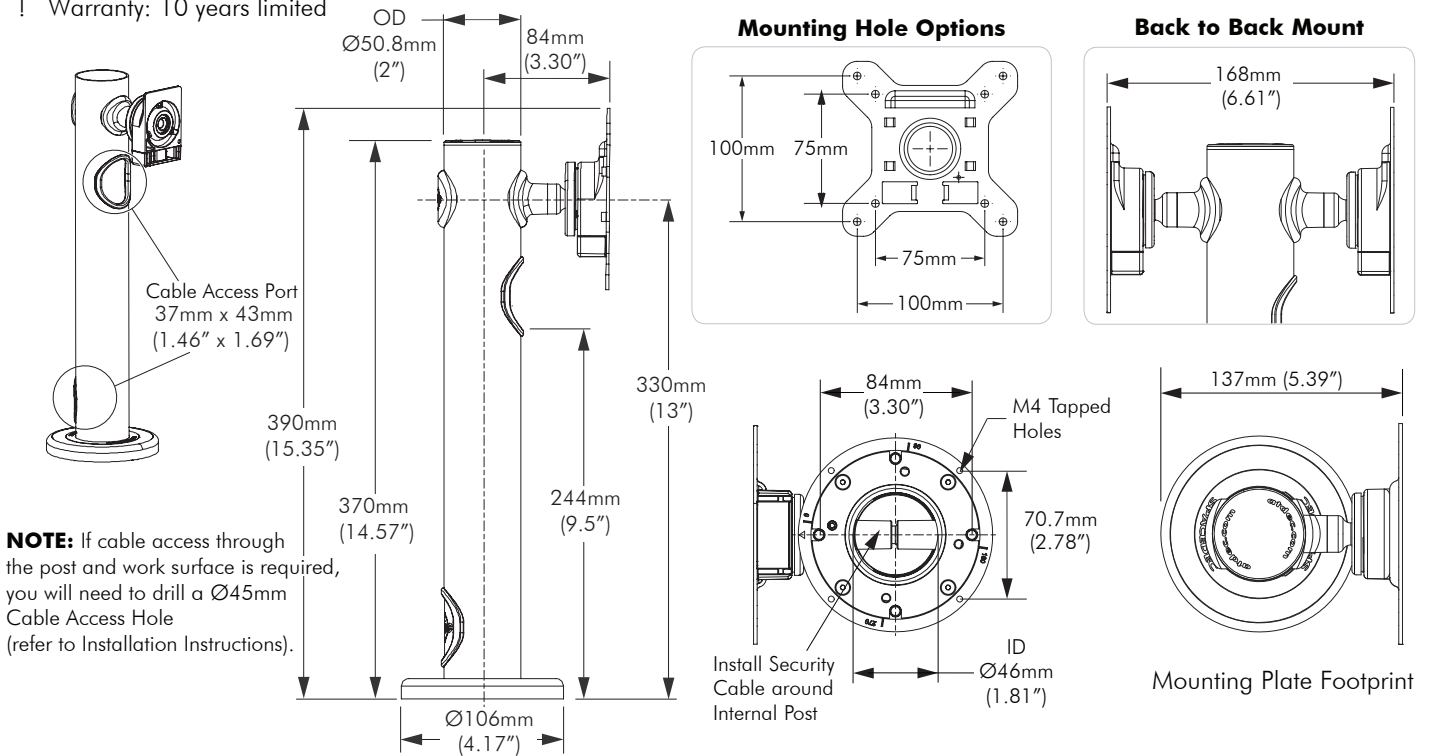


## Dimensions

**NOTE:**

- ! This product has been designed to mount VESA compliant displays with 75mmx75mm and 100mmx100mm hole patterns only.
- ! It will support displays up to a maximum weight of 20kg (44lbs). The Back-to-Back Mount will support 2x20kg (88lbs) displays.
- ! Warranty: 10 years limited



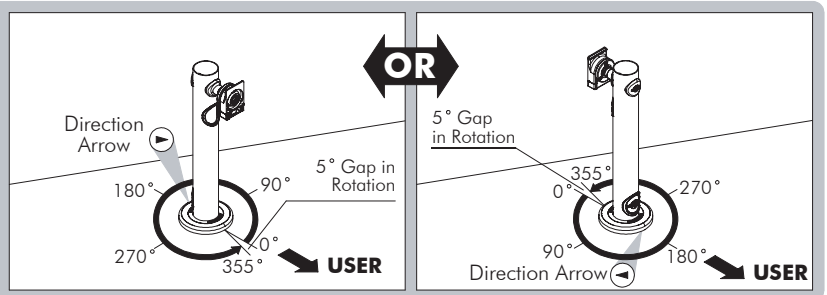
**NOTE:** If cable access through the post and work surface is required, you will need to drill a  $\varnothing 45\text{mm}$  Cable Access Hole (refer to Installation Instructions).

## Mounting Options

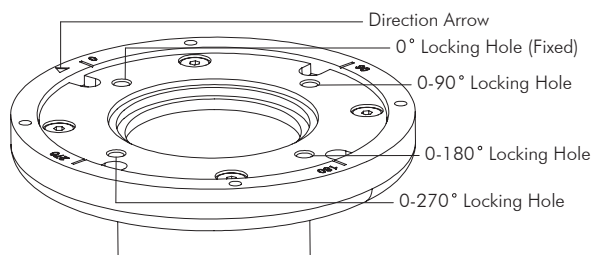
Your POS Multi offers 355° of Rotation. This can also be limited to suit a specific application. The direction in which you mount POS Multi will determine where the 5° gap in rotation is located, and how you choose to limit the rotation.

**Rotation Options**

- 0° Rotation (Fixed)
- 0-90° Rotation
- 0-180° Rotation
- 0-270° Rotation
- 0-355° Rotation

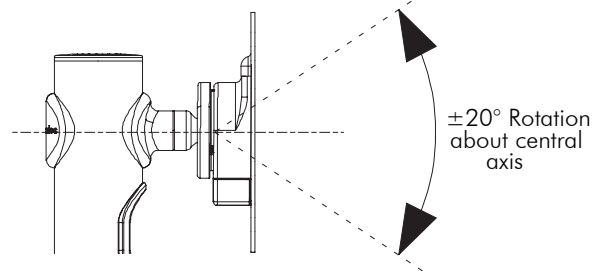


## LOCKING HOLES (Refer to Installation Instructions for further details)



## VESA Ball Mount

Each Ball Assembly has a 40° range of movement.



205 Westwood Ave, Long Branch, NJ 07740  
 Phone: 866-94 BOARDS (26273) / (732)-222-1511  
 Fax: (732)-222-7088 | E-mail: sales@touchboards.com

