

ADS100-B



SOUND & VIDEO
CONTRACTOR

BEST of SHOW

InfoComm 2014

PeerSound™ Wireless Audio System

On its own private network, the PeerSound™ Wireless Audio System can send up to 8 channels of audio wirelessly to amplifiers up to 140ft* away. With a rack mountable transmitter, the transmitting antenna can be remote mounted using the supplied 10ft cable. The amplifier can be installed in a drywall cavity hidden by a paintable cover plate, or it can be mounted outside the wall with an optional ADS100-OWK accessory kit. The 25x2 watt amplifier is plenty capable of driving floor standing, book shelf and in-wall speakers. It is also UL2043 Plenum rated for commercial installation options. This Wireless Audio System works with virtually any pre-amp audio source and speaker.

Additional Features

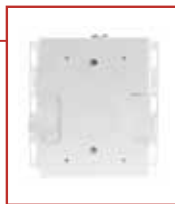
- ✓ Transmission distance of 140 feet
- ✓ Eight channels of configurable audio
- ✓ Rack mountable transmitter
- ✓ Allows transmitting antenna to be remote mounted with 10ft supplied cable
- ✓ Creates it's own independent 2.4 GHz WiFi network with adaptive frequency hopping and error correction
- ✓ 25x2 watt amplifier
- ✓ Hidden amplifier installation though drywall cavity and a paintable cover plate
- ✓ Amplifier mounts onto wall with accessory kit
- ✓ UL2043 Plenum rated amplifier (can be mounted in plenum area)
- ✓ 48 KHz 16 bit Pro Audio quality sound reproduction
- ✓ Connects to any audio source with either line and speaker level inputs
- ✓ Connects to any 8 ohm speaker
- ✓ FCC, UL 60065, LVD, and UL 2043 approved

*Actual distance will be reduced with obstructions between transmitter and receiver modules

PeerSound Wireless Audio is an industry first, it's the only rack-mountable audio transmission system, allowing you to send amazing-quality sound to any speaker you choose.



HIDDEN AMPLIFIER INSTALLATION THROUGH DRYWALL CAVITY AND A PAINTABLE COVER PLATE
Hides all wires from being visible



UL2043 plenum rated amplifier allows for mounting flexibility; can be mounted and secured in plenum areas

RACK MOUNTABLE TRANSMITTER
Integrates into custom AV gear



Eight line and speaker level inputs (150w) connects to virtually any pre-amp source and is compatible with both mono or stereo outputs

MADE IN USA EMC/EMI cUL US RoHS FC CE

info@peerless-av.com
peerless-av.com

peerless-AV®

ADS100-B PeerSound™ Wireless Audio System

Specifications – T8 Transmitter & TX% Receiver Module

SIZE (W x H x D)	17.32" x 1.84" x 6.90" (440 x 47 x 175mm)
RACK HEIGHT	1U
POWER INPUT	120/240 VAC 50/60Hz to supplied AC adaptor (5VDC @ 1000 mW)
LINE LEVEL INPUTS	Qty 8 independent RCA
SPEAKER LEVEL INPUTS	Qty 8 independent, 150 watts max each, 2 pole plug
MOUNTING	Rack or surface
FREQUENCY BAND	2.4 GHz, spread spectrum
WIRELESS DISTANCE	140 ft*
STREAMING	16 Bit, 48 KHz rate with error checking
ADAPTIVE FREQUENCY HOPPING	Yes, 18 channels with 4 active, 14 on trial
LATENCY	42.7 mS
ANTENNA CABLE	RG316D Coax, double shield with reverse thread fittings, 10 ft.
AGENCY APPROVALS	UL60065, CE, LVD, FCC

Specifications – A252 Amplifier & RX% Receiver Module

SIZE (W x H x D)	4.13" x 4.00" x 1.49" (105 x 102 x 38mm)
POWER INPUT	120/240 VAC 50/60Hz direct, 150 watts maximum (with protective ground required)
POWER CONNECTION	2 wire spring hold push in, screw terminal ground, wired or conduit per Electric Code
SPEAKER CONNECTION	Qty 2 – 2 pole screw clamp plug
IMPEDANCE	8 ohm
POWER OUTPUT	25 watts x 2 @ <0.1% THD+N (1 W, 1KHz)
SIGNAL TO NOISE	110 dB (A)
PROTECTION	Over temperature, overload, short circuit, with power cycle reset
MOUNTING	In-wall, On-wall, UL 2043 Plenum area's (with proper UL 2043 accessories)
AGENCY APPROVALS	UL60065, UL2043, CE, LVD, FCC

*Actual distance will be reduced with obstructions between transmitter and receiver modules

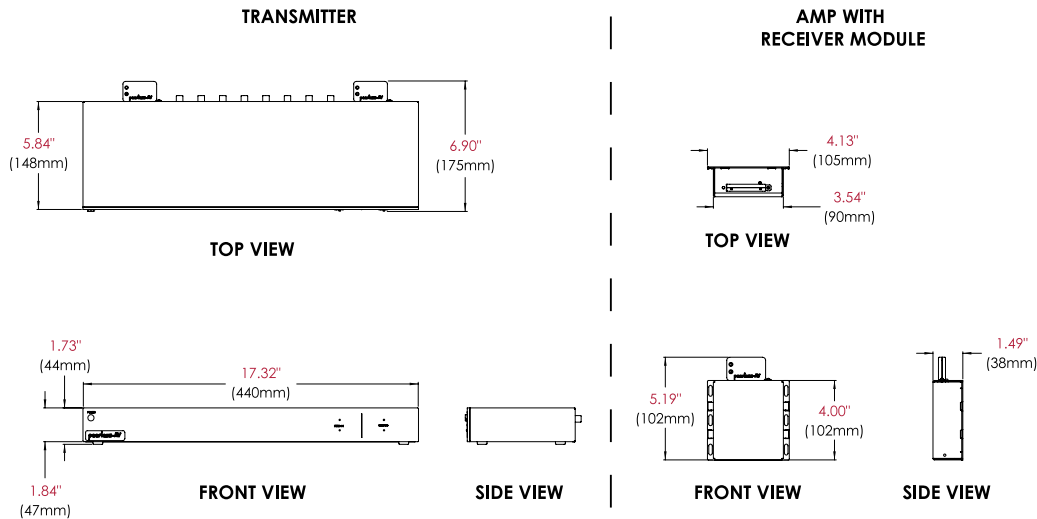
Package Specifications

	PACKAGE SIZE (W x H x D)	PACKAGE SHIP WEIGHT	PACKAGE UPC CODE	PACKAGE CONTENTS	UNITS IN PACKAGE
ADS100-B	24.88" x 8.38" x 6.38" (632 x 213 x 162mm)	8.35lb (3.8kg)	735029298267	Transmitter Head End Transmitter module for Channels 1-4 Transmitter Power Adapter Rack Ears (1) 2 Channel Amplifier Stereo Receiver Module In-Wall Mounting Accessories Instructions	1

Accessories

ADS100-A252: Amplifier, 25 Watt x 2	ADS100-RXS: Receiver module, stereo	ADS100-RXM: Receiver module, mono	ADS100-RAC10: Remote antenna cable (10ft) and mount
	ADS100-TX58: Transmitter module, channels 5-8		ADS100-OWK: On Wall Kit for amplifier
			ADS100-PW: Plenum rated wiring kit for amplifier

All dimensions = inch (mm)



Architect Specifications

The PeerSound™ Wireless Audio System shall be a Peerless-AV model ADS100-B and shall be located where indicated on the plans. Assembly and installation shall be done according to instructions provided by the manufacturer.



Visit peerless-av.com to see the complete line of AV solutions from Peerless-AV, including outdoor displays, wireless, kiosks, digital audio, display mounts, projector mounts, carts/stands, and a full assortment of accessories.

Peerless-AV
2300 White Oak Circle
Aurora, IL 60502 USA
(800) 865-2112
(630) 375-5100
Fax: (800) 359-6500

Peerless-AV Europe
Unit 3 Watford Interchange
Colonial Way, Watford
Herts, WD24 4WP
United Kingdom
+44 (0) 1923 200100
Fax: +44 (0) 1923 200101

Peerless-AV de México
Ave de las Industrias 413
Parque Industrial Escobedo
Escobedo, N.L.,
Mexico 66050
+52 (81) 8384-8300
Fax: +52 (81) 8384-8360

