

PROFESSIONAL PROJECTOR | SH963

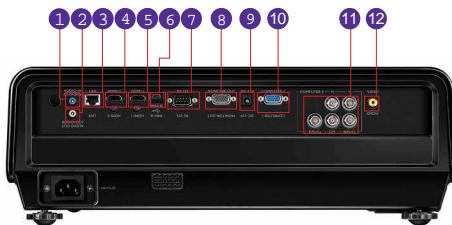


Features

- Native Full HD (1920x1080) Resolution
- 6,000ANS Lumens, 8,300:1 Contrast Ratio
- Dual Lamp Design
- H+V Lens Shift and Keystone, 1.5x Zoom
- HDMI x2, RJ45 (LAN Control)



Input and Output Terminals



- | | |
|-------------------------|-----------------------------|
| ① Audio In (Mini Jack) | ⑦ RS232 (DB-9pin) |
| ② Audio Out (Mini Jack) | ⑧ Monitor Out (D-sub 15pin) |
| ③ LAN (RJ45) | ⑨ DC 12V/Trigger (3.5mm) |
| ④ HDMI-2 | ⑩ Computer In (D-sub 15pin) |
| ⑤ HDMI-1 | ⑪ Component Video in (5BNC) |
| ⑥ USB Mini B | ⑫ Composite Video In (RCA) |

Specifications

Projection System	DLP®
Native Resolution	1080p (1920 x 1080)
Brightness	6,000 AL
Contrast Ratio	8,300:1
Display Color	1.07 Billion Colors
Lens	F=2.48~2.81, f=24.1~36.15mm
Aspect Ratio	Native 16:9 (5 aspect ratio selectable)
Throw Ratio	1.62~2.43 (55.7" @ 2m)
Image Size Diagonal	28"~300"
Zoom Ratio	1.5:1
Lamp Type	350W x 2
Lamp Life (Normal/Eco Mode)	2000/2500 hours
Keystone Adjustment	2D, Vertical & Horizontal ± 30 degrees
Projection Offset	Vertical: ±120%(±5%); Horizontal: ±40%(±5%)
Resolution Support	VGA (640 x 480) to WUXGA (1920 x 1200)
Horizontal Frequency	31K~92KHz
Vertical Scan Rate	23~85Hz
HDTV Compatibility	480i, 480p, 576i, 576p, 720p, 1080i, 1080p
Video Compatibility	NTSC, PAL, SECAM
Interface	Computer In (D-Sub 15pin) x1 Monitor Out (D-Sub 15 pin) x1 HDMI x 2 Component Video in (5BNC) x 1 Composite Video in (RCA) x 1 Audio in (Mini Jack) x 1 Audio out (Mini Jack) x 1 Speaker 10W x 1 LAN (RJ45) x 1 (LAN Control) USB (Type Mini B) x 1 (Download) 12V Trigger x 1 RS232 (DB-9pin) x 1 IR Receiver x 2 (Front+Rear)
Dimensions (WxHxD)	17.4" x 6.57" x 13.9"
Weight	28.66 lbs
Power Supply	AC100 to 240 V, 50 to 60 Hz
Power Consumption	940W (typical), Standby<0.5W
Audible Noise	44/40/41/38 db (Dual Brightness / Dual Reliable / Single Alternative / Single Eco)
On-Screen Display Languages	English/ French/ German/ Italian/ Spanish/ Russian/ Traditional Chinese/ Simplified Chinese/Japanese/ Korean/ Swedish/ Dutch/ Turkish/ Czech/ Portuguese / Thai/ Polish (17 Languages)
Picture Mode	Dynamic/Presentation/sRGB/Cinema/User 1/User 2
Accessories (Standard)	Remote Control w/ Battery, Power Cord, User Manual CD, Quick Start Guide, Warranty Card, VGA(D-sub 15pin) Cable
Accessories (Optional)	Spare Lamp Kit Lamp #1 P/N: 5J.J8C05.001 Lamp #2 P/N: 5J.J8C05.002 Ceiling Mount P/N: 5J.J4N10.001 Remote P/N: 5J.J8A06.001
UPC Code / Part #	8400460-2639-4 / 9H.J8C77.15A
Limited Warranty	3-Years Parts/Labor / 1-Year or 2000 hours of lamp life

*Lamp life results will vary depending on environmental conditions and usage. Actual product's features and specifications are subject to change without notice.



SH963 11-27-13-BQ.us



BenQ America Corp.
www.BenQ.us

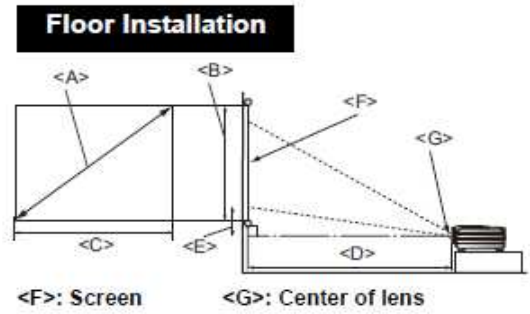
BenQ is a registered trademark of BenQ Corp. DLP is a registered trademark of Texas Instruments. All rights reserved. Product names, logos, brands, and other trademarks featured or referred to in this materials are the property of their respective trademark holders. Specifications subject to change without notice.



SH963 Digital Projector

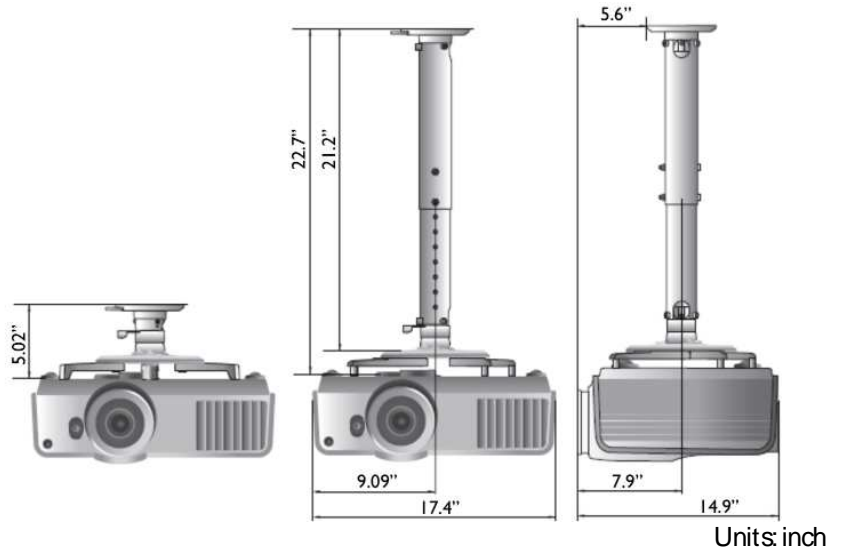
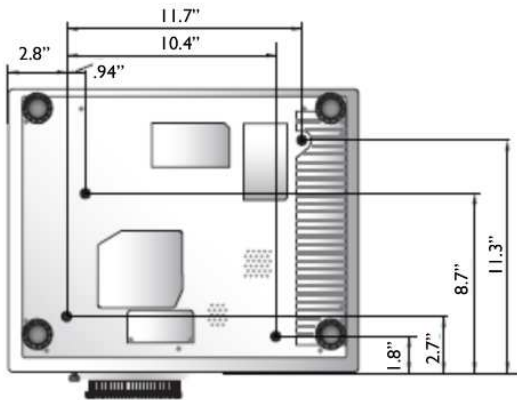
Distance Chart

Screen Dimensions				Projection Distance <D> (inch)			Lowest/Highest lens position <E> (inch)
Diagonal <A>		Height 	Width <C>	Min Distance (with max zoom)	Average	Max Distance (with min zoom)	
Inch	mm	(inch)	(inch)				
30	762	14	26	42.5	53.1	63.8	1.8
40	1016	20	35	56.6	70.8	84.6	2.3
50	1270	24	44	70.8	88.1	105.9	3.1
60	1524	30	52	84.6	105.9	127.1	3.5
70	1778	34	61	98.8	123.6	148.4	4.3
80	2032	39	70	112.9	141.3	169.6	4.7
90	2286	44	78	127.1	159.0	190.9	5.5
100	2540	49	87	141.3	176.7	212.2	6.3
110	2794	54	96	194.8	194.4	233.0	6.6
120	3048	58	104	169.6	212.2	254.3	7.4
130	3302	64	113	183.8	229.5	275.5	7.8
140	3556	68	122	198.0	247.2	296.8	8.6
150	3810	74	130	212.2	264.9	318.1	9.1
160	4064	78	140	226.3	282.6	339.3	9.8
170	4318	84	148	240.1	300.3	360.6	10.2
180	4572	88	156	254.3	318.1	381.4	11.0
190	4826	93	166	268.5	335.8	402.7	11.8
200	5080	98	174	282.6	353.5	424.0	12.2
250	6350	122	218	353.5	441.7	529.9	15.3
300	7620	147	261	424	529.9	636.2	18.5



Ceiling Mount Chart

Ceiling Mount Screws M6 x 8 (Max. L-8 mm)



Dimensions

