

SKF H MV / H MVC



Instructions for use
Bedienungsanleitung
Instrucciones de uso
Mode d'emploi

Manuale d'istruzioni
Instruções de uso
Инструкция по эксплуатации
使用说明书

EN	English	2
DE	Deutsch	18
ES	Español	35
FR	Français	51
IT	Italiano	67
PT	Português	83
RU	Русский	99
ZH	中文	115

Table of contents

EU Declaration of Conformity	3
UK Declaration of Conformity	3
Safety recommendations	4
1. Description	5
1.1 Principle of operation	5
1.2 Load carrying capacity	5
2. Operating instructions	6
2.1 How to apply the nut	6
2.2 How to generate the pressure	7
2.3 Mounting of bearings	7
2.4 Dismounting of bearings	8
2.5 SKF Drive-up Method for mounting bearings with a tapered bore	8
3. Maintenance	11
3.1 In case of leakage	11
3.2 Replacement parts	11
3.3 Accessories	12
4. Dimensions	12
4.1 Hydraulic nuts - HMV...E series	12
4.2 Hydraulic nuts - HMVC...E series (inch threads)	15
5. Storage	17
6. Transportation	17

Original instructions

EU Declaration of Conformity HMV / HMVC

We, SKF MPT, Meidoornkade 14,
3992 AE Houten, The Netherlands
herewith declare under our sole
responsibility that the products described
in these instructions for use, are in
accordance with the conditions of the
following Directive(s):
MACHINERY DIRECTIVE 2006/42/EC
and are in conformity with the following
standards:
EN-ISO 12100:2010,
EN-ISO 4413:2010.

Houten, The Netherlands,
November 2021



Mrs. Andrea Gondová
Manager Quality and Compliance



UK Declaration of Conformity HMV / HMVC

We, SKF MPT, Meidoornkade 14,
3992 AE Houten, The Netherlands
herewith declare under our sole
responsibility that the products described
in these instructions for use, are in
accordance with the conditions of the
following Directive(s):
Supply of Machinery (Safety) Regulations
2008 (2008 No. 1597)
and are in conformity with the following
standards:
EN-ISO 12100:2010,
EN-ISO 4413:2010.

The person authorised to compile the
technical documentation on behalf of
the manufacturer is SKF (U.K.) Limited,
2 Canada Close, Banbury, Oxfordshire,
OX16 2RT, GBR.

Houten, The Netherlands,
November 2021



Mrs. Andrea Gondová
Manager Quality and Compliance





Safety recommendations

As high pressures/forces constitute a potential safety risk, the following instructions must be considered:

- Only trained personnel should operate the equipment.
- Always follow the operating instructions.
- Check the hydraulic nut and all accessories carefully before use. Never use even slightly damaged components.
- Make sure all air has been removed from the hydraulic system, before putting the equipment under pressure.
- Do not use the hydraulic nut for applications other than mounting/dismounting bearings.
- Always use a pressure gauge.
- Always prevent the workpiece/tool from being projected upon sudden release of pressure (e.g. by use of retaining nut).
- Do not exceed the maximum permitted piston displacement.
- Use protective goggles.
- Never modify the unit.
- Use original parts only.
- Only use clean, recommended hydraulic oils (e.g. SKF LHM 300, or similar).
- Nuts should be lifted and handled in accordance with safe working practices and local regulations.
- Steel lifting cables should not be directly applied to the nut, as they could damage the nut threads.
- Eye bolt(s), where provided, must be properly fitted.
- In case of any uncertainties regarding the use of the hydraulic nut, contact SKF.

1. Description

1.1 Principle of operation

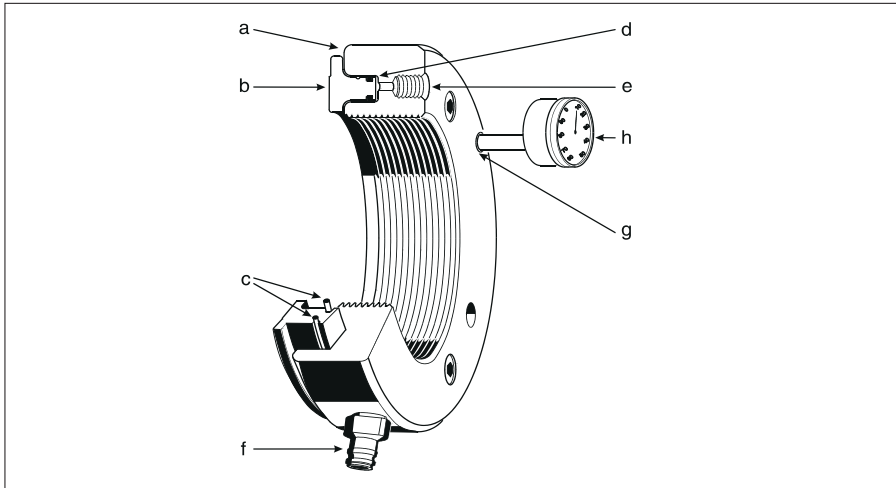


Figure 1. Parts of the hydraulic nut

The hydraulic nut has proved to save considerable effort when mounting or dismounting rolling bearings with tapered bores. It comprises two main components: a steel ring (fig. 1a) with internal thread and a groove in one side face, and an annular piston (fig. 1b) that rests in the groove. The seal (fig. 1c) between the two parts consists of two O-rings. When oil is pumped into the pressure chamber (fig. 1d), the piston is pressed out with a force that normally is sufficient for mounting and dismounting rolling bearings. The outer ring is provided with an unthreaded hole (fig. 1g) to hold a dial indicator (fig. 1h). The measuring tip of the indicator will rest against the shoulder of the piston to indicate axial travel.

(Note: The drive-up distance can be used to determine correct mounting; see skf.com/mount or download the SKF Drive-up Method Program at skf.com. Alternatively download the SKF Drive-up Method app on the App Store® or on Google Play™).

Two threaded holes are provided in the steel ring for attachment of the hose from the pump: one in the side face (fig. 1e), and the other in the circumference (fig. 1f). The hole that is not in use must be plugged with a ball plug, which is supplied with the nut.

The hole used for the hose connection should be fitted with a 729832 A nipple, included with the hydraulic nut. A spare set of O-rings, a maintenance set, and a tommy bar for tightening the nut are all included as standard accessories.

1.2 Load carrying capacity

SKF hydraulic nuts are designed to withstand the pressure normally encountered when rolling bearings are mounted or dismounted.

The maximum oil pressure with permitted piston displacement that can be applied to a HMV series hydraulic nut is as follows:

HMV 10 - 60	80 MPa (11 600 psi)
HMV 62 - 100	40 MPa (5 800 psi)
HMV 102 - 200	25 MPa (3 600 psi)

2. Operating instructions

2.1 How to apply the nut

To enable easy mounting, especially for larger nuts, it is important that the nut is properly centred on the mating thread before rotation.

Large nuts must be supported during installation.

One way of doing this is to use a special mounting tool similar to that shown in figure 2.

When the bearing is mounted on a sleeve, make sure that the sleeve is straight, that is, with the thread aligned over the slotted part of the sleeve.

It is recommended to always use a thread lubricant before applying the nut on the mating thread.

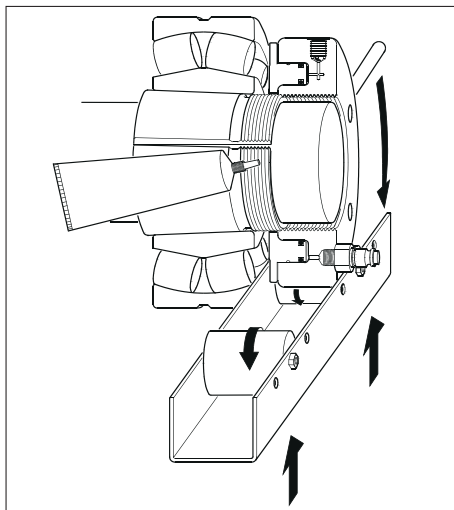


Figure 2. Support for a large hydraulic nut

To thread the nut onto the shaft or sleeve use the tommy bar provided. This is inserted in one of the four unthreaded holes in the outside cylindrical surface or in one of the two holes on the side surface.

Nuts of size HMV(C) 94E and larger have the provision for two eye bolts (DIN 580) to be fitted. One or both of the eye bolts, when properly fitted, can be used to safely lift the nut. The size of the eye bolts is shown in the following table:

HMV(C) ..E nut size	Eye Bolt Thread Size (DIN 580)
94 - 130	M10
134 - 160	M12
170 - 200	M16

To facilitate the mounting of nuts of size HMV(C) 94E and larger, an arrow is marked on the nut circumference showing the position of the first thread.

2.2 How to generate the pressure

SKF produces a comprehensive range of pumps to complement the complete range of HMV(C)..E nuts.

The following pumps are recommended for the various nut sizes:

HMV(C) 10E - HMV(C) 54E	729124/TMJL 50/TMJL 100/728619E
HMV(C) 56E - HMV(C) 92E	TMJL 50/TMJL 100/728619E
HMV(C) 94E - HMV(C) 200E	TMJL 50/728619E

When using the SKF Drive-up Method, the following pumps are recommended:

HMV(C) 10E ... 54E	729124 DU/TMJL 50DU/TMJL 100DU
HMV(C) 56E ... 92E	TMJL 50DU/TMJL 100DU
HMV(C) 94E ... 200E	TMJL 50DU

Note:

All DU pumps are supplied with the THGD 100 (0 - 100 MPa, 0 - 15 000 psi) digital pressure gauge.

Oil having a viscosity of approximately 300 mm²/s at the operating temperature, SKF Mounting Fluid LHMf 300 for example, should be used as a pressure medium. When connecting the pump, be sure that all air is purged from the hydraulic system. Opening the ball plug whilst at the highest point and pumping oil until air-free oil emerges can achieve this. The ball plug is then tightened and the nut is ready for use.

2.3 Mounting of bearings

The nut should be carefully screwed onto a threaded section of the shaft or the sleeve until the nut abuts the bearing inner ring (fig. 3, 4), the withdrawal sleeve (fig. 5), or a special support nut/plate (fig. 6). It is important that as much as possible, but not less than 80 %, of the thread of the hydraulic nut is engaged. If this is not possible, a help ring to support the nut is necessary. The piston should then be fully retracted into the nut.

Mounting



Figure 3.
HMV nut for driving the bearing onto a tapered seating.



Figure 4.
HMV nut for driving the bearing onto an adapter sleeve.



Figure 5.
HMV nut screwed onto the shaft for driving in a withdrawal sleeve.



Figure 6.
HMV nut and special stop nut for driving in a withdrawal sleeve.

A pump is used to provide pressurised oil to the nut. The permissible stroke (axial displacement) has been chosen to enable all bearings having bores with a taper of 1:12 or 1:30 to be mounted in a single operation. The permitted piston displacement, which is indicated by a groove in the outside of the piston, should not be exceeded. After mounting has been completed, the return valve of the pump should be opened so that the pressurised oil can leave the nut. To completely empty the nut, the piston has to be returned to its original position. This is most easily accomplished by threading the nut further up the shaft or sleeve thread, causing the piston to retract. This causes the oil to flow back to the pump.

2.4 Dismounting of bearings

When dismounting rolling bearings from withdrawal or adapter sleeves, the hydraulic nut is screwed onto the sleeve thread until it rests against the bearing inner ring (fig. 7) or a special support ring (fig. 8). By displacing the piston, the sleeve will be withdrawn from the bearing bore or the bearing will be pressed off the adapter sleeve.

Dismounting



Figure 7.
HMV nut used to free a withdrawal sleeve



Figure 8.
HMV nut and stop ring in position to press loose an adapter sleeve

2.5 SKF Drive-up Method for mounting bearings with a tapered bore

Traditionally the radial internal clearance reduction has been measured when mounting bearings with a tapered bore. The accuracy of this method is highly dependent on the technician being skilled in the use of feeler gauges applied to the measurement of the clearance reduction. The SKF Drive-up Method considerably improves the reliability and ease in fitting bearings with a tapered bore and can be used for SKF spherical roller bearings, SKF CARB®, and some SKF self-aligning ball bearings. To be able to use the method, you will need a pump with a highly accurate digital pressure gauge and a dial indicator (fig. 9). Pumps with the suffix DU are supplied with a digital gauge reading from 0 - 100 MPa (0 - 15 000 psi).

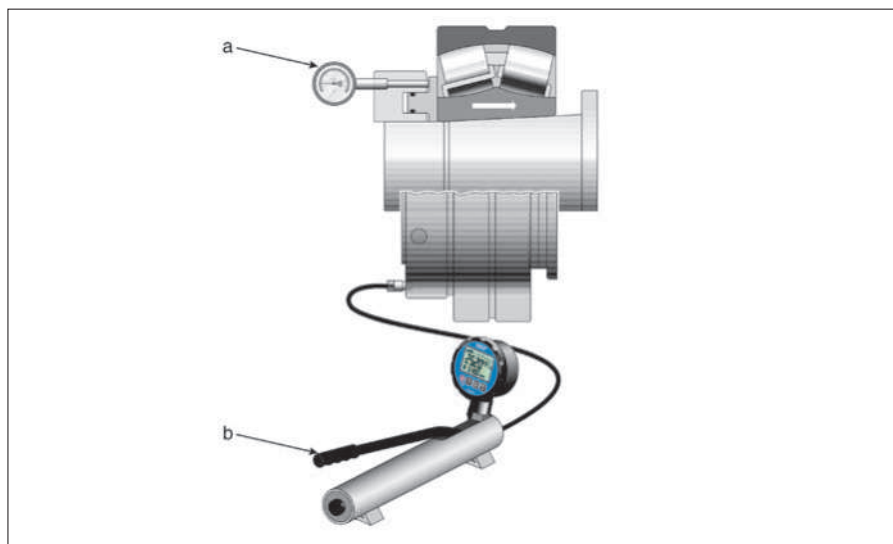


Figure 9. Dial indicator and hydraulic pump.

Dial indicators (fig. 9a)

Calibrated in millimetres	TMCD 10R / TMCD 5P
Calibrated in inches	TMCD 1/2R

Hydraulic pumps with digital pressure gauge (fig. 9b)

0 - 100 MPa (0 - 15 000 psi)

Maximum nut size	HMV (C) 54E	HMV (C) 92E	HMV (C) 200E
Pump reference	729124 DU	TMJL 100DU	TMJL 50DU

Step by step mounting procedure

Step 1

Ensure that the bearing size is compatible with the HMV(C) E nut size. For example, for bearing 23936 CCK/W33 mounted direct on a shaft, use HMV(C) 36E. Otherwise the pressure corresponding to the starting position must be adjusted.

Step 2

Determine whether one or two surfaces slide during mounting. See figures 10 - 13.

Step 3

Drive the bearing up to the starting position by applying the correct hydraulic pressure to the HMV(C) E nut. See figure 14.

As an alternative, the SKF digital pressure gauge can be screwed directly into the hydraulic

nut. Drive the bearing up the taper the required distance. Use a dial indicator to monitor the axial drive-up.

The starting hydraulic pressure (MPa/psi) and axial drive-up (mm) can be found at skf.com/mount or by downloading the SKF Drive-up Method PC Program at skf.com. Alternatively download the SKF Drive-up Method app on the App Store or on Google Play.

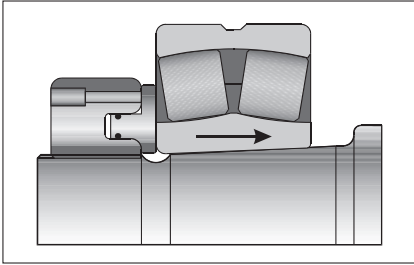


Figure 10. One sliding surface

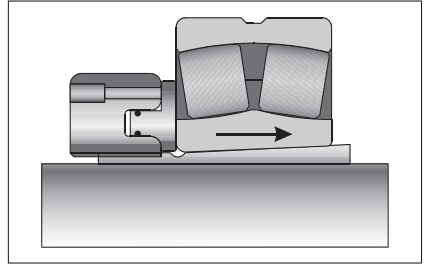


Figure 11. One sliding surface

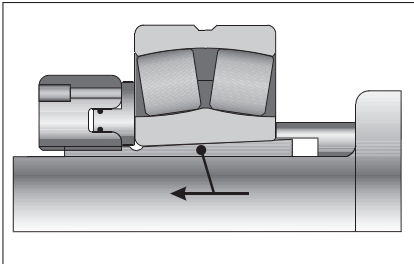


Figure 12. Two sliding surfaces

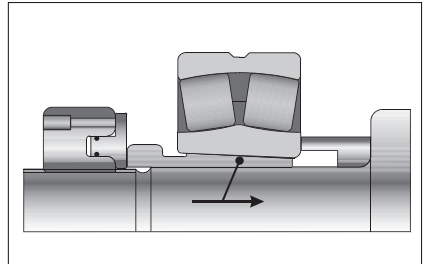


Figure 13. Two sliding surfaces

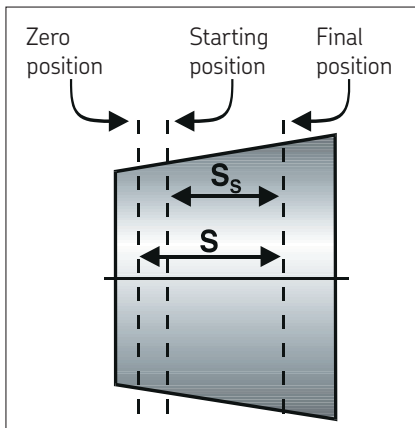


Figure 14. Bearing position



3. Maintenance

When the nut is not in use, it should be protected against rust, and the hose connection holes should be plugged to prevent entry of dirt.

3.1 In case of leakage

If oil leaves the hydraulic nut when the piston is operated, this generally means the seal is torn or damaged and must be replaced. To do this, the piston has to be pressed out of the ring. To facilitate this operation, three auxiliary holes with closure nipples are provided in the full face of the ring. Using the threaded pins supplied with the nut, the piston can be pushed out of the ring (fig. 15). The O-rings are then removed, the grooves cleaned, and the new O-rings put in position.

If necessary, grease can be used to keep the new O-rings in the correct position during the replacement operation.

A spare set of O-rings is also supplied with the nut. Additional replacement rings can be obtained from SKF.

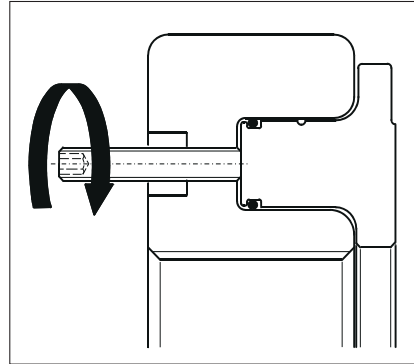


Figure 15. Pushing the piston out of the ring

3.2 Replacement parts

Description	Designation
O-rings	Nut designation followed by /233983, for example HMV 10/233983
Ball plug	233950
Quick connection nipple	729832 A
Nylon screws to secure dial indicator (supplied in packs of 10 pieces)	HMVE M5x10 (nut size 10...69) HMVE M5x17 (nut size 70 and larger)
Maintenance set (threaded pins, copper rings, hexagonal keys)	HMVM 10/29 (nut size 10...29) HMVM 30/69 (nut size 30...69) HMVM 70/200 (nut size 70...200)

3.3 Accessories

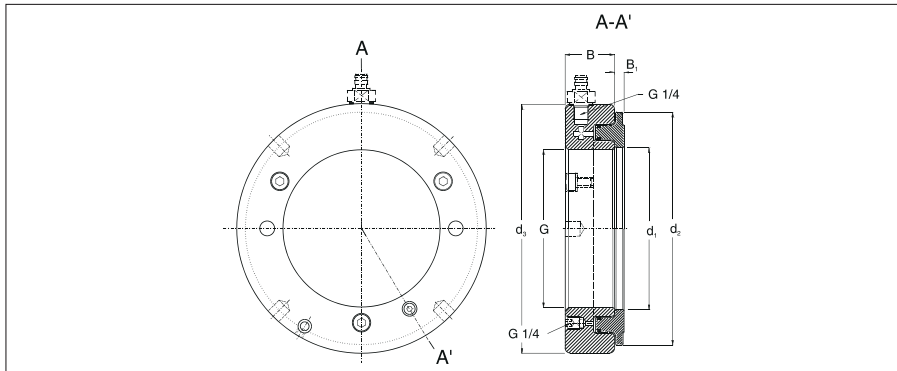
Description	Designation
Mounting fluid (5 litres)	LHMF 300/5
Dial indicators	TMCD 5P (parallel dial, 0-5 mm) TMCD 10R (right angle dial, 0-10 mm) TMCD 1/2R (right angle dial, 0 - 1/2 in)

4. Dimensions

In the following tables dimensions are given for SKF standard hydraulic nuts HMV...E (metric) and HMVC...E (inch).

The nuts can also be made in other sizes, with special threads, or with unthreaded bores. Additional information will be provided on request.

4.1 Hydraulic nuts - HMV...E series



Threads

HMV 10E - HMV 40E	ISO 965/III-1980, tolerance class 6H
HMV 41E - HMV 200E	ISO 2901-1977, tolerance class 7H

Recommended mating threads

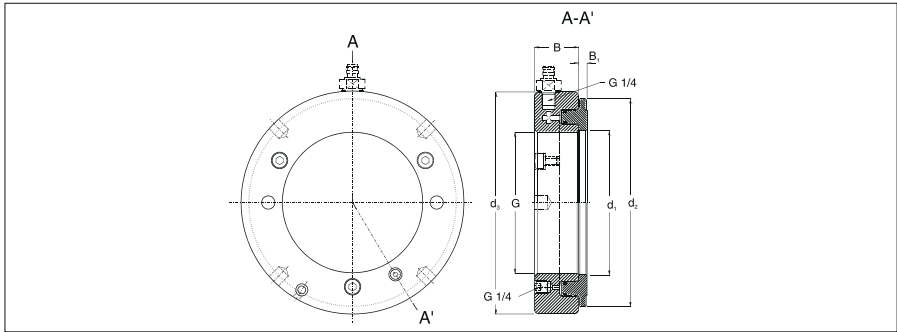
HMV 10E - HMV 40E	ISO 965/III-1980, tolerance class 6g
HMV 41E - HMV 200E	ISO 2901-1977, tolerance class 7e

Designation	Dimensions						Permitted piston displacement	Piston area	Weight
	G	d ₁	d ₂	d ₃	B	B ₁			
-	thread	mm	mm	mm	mm	mm	mm	mm ²	kg
HMV 10E	M 50x1.5	50,5	104	114	38	4	5	2 900	2,70
HMV 11E	M 55x2	55,5	109	120	38	4	5	3 150	2,75
HMV 12E	M 60x2	60,5	115	125	38	5	5	3 300	2,80
HMV 13E	M 65x2	65,5	121	130	38	5	5	3 600	3,00
HMV 14E	M 70x2	70,5	127	135	38	5	5	3 800	3,20
HMV 15E	M 75x2	75,5	132	140	38	5	5	4 000	3,40
HMV 16E	M 80x2	80,5	137	146	38	5	5	4 200	3,70
HMV 17E	M 85x2	85,5	142	150	38	5	5	4 400	3,75
HMV 18E	M 90x2	90,5	147	156	38	5	5	4 700	4,00
HMV 19E	M 95x2	95,5	153	162	38	5	5	4 900	4,30
HMV 20E	M 100x2	100,5	158	166	38	6	5	5 100	4,40
HMV 21E	M 105x2	105,5	163	172	38	6	5	5 300	4,65
HMV 22E	M 110x2	110,5	169	178	38	6	5	5 600	4,95
HMV 23E	M 115x2	115,5	174	182	38	6	5	5 800	5,00
HMV 24E	M 120x2	120,5	179	188	38	6	5	6 000	5,25
HMV 25E	M 125x2	125,5	184	192	38	6	5	6 200	5,35
HMV 26E	M 130x2	130,5	190	198	38	6	5	6 400	5,65
HMV 27E	M 135x2	135,5	195	204	38	6	5	6 600	5,90
HMV 28E	M 140x2	140,5	200	208	38	7	5	6 800	6,00
HMV 29E	M 145x2	145,5	206	214	39	7	5	7 300	6,50
HMV 30E	M 150x2	150,5	211	220	39	7	5	7 500	6,60
HMV 31E	M 155x3	155,5	218	226	39	7	5	8 100	6,95
HMV 32E	M 160x3	160,5	224	232	40	7	6	8 600	7,60
HMV 33E	M 165x3	165,5	229	238	40	7	6	8 900	7,90
HMV 34E	M 170x3	170,5	235	244	41	7	6	9 400	8,40
HMV 36E	M 180x3	180,5	247	256	41	7	6	10 300	9,15
HMV 38E	M 190x3	191	259	270	42	8	7	11 500	10,5
HMV 40E	M 200x3	201	271	282	43	8	8	12 500	11,5
HMV 41E	Tr 205x4	207	276	288	43	8	8	12 800	12,0
HMV 42E	Tr 210x4	212	282	294	44	8	9	13 400	12,5
HMV 43E	Tr 215x4	217	287	300	44	8	9	13 700	13,0
HMV 44E	Tr 220x4	222	293	306	44	8	9	14 400	13,5
HMV 45E	Tr 225x4	227	300	312	45	8	9	15 200	14,5
HMV 46E	Tr 230x4	232	305	318	45	8	9	15 500	14,5
HMV 47E	Tr 235x4	237	311	326	46	8	10	16 200	16,0
HMV 48E	Tr 240x4	242	316	330	46	9	10	16 500	16,0
HMV 50E	Tr 250x4	252	329	342	46	9	10	17 600	17,5
HMV 52E	Tr 260x4	262	341	356	47	9	11	18 800	19,5
HMV 54E	Tr 270x4	272	352	368	48	9	12	19 800	20,5
HMV 56E	Tr 280x4	282	363	380	49	9	12	21 100	22,0
HMV 58E	Tr 290x4	292	375	390	49	9	13	22 400	22,5
HMV 60E	Tr 300x4	302	386	404	51	10	14	23 600	25,5

Designation		Dimensions					Permitted piston displacement	Piston area	Weight
	G	d ₁	d ₂	d ₃	B	B ₁			
-	thread	mm	mm	mm	mm	mm	mm	mm ²	kg
HMV 62E	Tr 310x5	312	397	416	52	10	14	24 900	27,0
HMV 64E	Tr 320x5	322	409	428	53	10	14	26 300	29,5
HMV 66E	Tr 330x5	332	419	438	53	10	14	27 000	30,0
HMV 68E	Tr 340x5	342	430	450	54	10	14	28 400	31,5
HMV 69E	Tr 345x5	347	436	456	54	10	14	29 400	32,5
HMV 70E	Tr 350x5	352	442	464	56	10	14	29 900	35,0
HMV 72E	Tr 360x5	362	455	472	56	10	15	31 300	35,5
HMV 73E	Tr 365x5	367	460	482	57	11	15	31 700	38,5
HMV 74E	Tr 370x5	372	466	486	57	11	16	32 800	39,0
HMV 76E	Tr 380x5	382	476	498	58	11	16	33 500	40,5
HMV 77E	Tr 385x5	387	483	504	58	11	16	34 700	41,0
HMV 80E	Tr 400x5	402	499	522	60	11	17	36 700	45,5
HMV 82E	Tr 410x5	412	510	534	61	11	17	38 300	48,0
HMV 84E	Tr 420x5	422	522	546	61	11	17	40 000	50,0
HMV 86E	Tr 430x5	432	532	556	62	11	17	40 800	52,5
HMV 88E	Tr 440x5	442	543	566	62	12	17	42 500	54,0
HMV 90E	Tr 450x5	452	554	580	64	12	17	44 100	57,5
HMV 92E	Tr 460x5	462	565	590	64	12	17	45 100	60,0
HMV 94E	Tr 470x5	472	576	602	65	12	18	46 900	62,0
HMV 96E	Tr 480x5	482	587	612	65	12	19	48 600	63,0
HMV 98E	Tr 490x5	492	597	624	66	12	19	49 500	66,0
HMV 100E	Tr 500x5	502	609	636	67	12	19	51 500	70,0
HMV 102E	Tr 510x6	512	624	648	68	12	20	53 300	74,0
HMV 104E	Tr 520x6	522	634	658	68	13	20	54 300	75,0
HMV 106E	Tr 530x6	532	645	670	69	13	21	56 200	79,0
HMV 108E	Tr 540x6	542	657	682	69	13	21	58 200	81,0
HMV 110E	Tr 550x6	552	667	693	70	13	21	59 200	84,0
HMV 112E	Tr 560x6	562	678	704	71	13	22	61 200	88,0
HMV 114E	Tr 570x6	572	689	716	72	13	23	63 200	91,0
HMV 116E	Tr 580x6	582	699	726	72	13	23	64 200	94,0
HMV 120E	Tr 600x6	602	721	748	73	13	23	67 300	100
HMV 126E	Tr 630x6	632	754	782	74	14	23	72 900	110
HMV 130E	Tr 650x6	652	775	804	75	14	23	76 200	115
HMV 134E	Tr 670x6	672	796	826	76	14	24	79 500	120
HMV 138E	Tr 690x6	692	819	848	77	14	25	84 200	127
HMV 142E	Tr 710x7	712	840	870	78	15	25	87 700	135
HMV 150E	Tr 750x7	752	883	912	79	15	25	95 200	146
HMV 160E	Tr 800x7	802	936	965	80	16	25	103 900	161
HMV 170E	Tr 850x7	852	990	1 020	83	16	26	114 600	181
HMV 180E	Tr 900x7	902	1 043	1 075	86	17	30	124 100	205
HMV 190E	Tr 950x8	952	1 097	1 126	86	17	30	135 700	218
HMV 200E	Tr 1000x8	1 002	1 150	1 180	88	17	34	145 800	239

4.2 Hydraulic nuts - HMVC...E series (inch threads)

The HMVC...E nuts are supplied with both a quick connection nipple (729832 A) and a male G 1/4 to female NPT 3/8 threaded nipple (729106/100MPA).



Threads standards as recommended by the Anti-Friction Bearing Manufacturers Association (AFBMA) in the US:

HMVC 10-64E American National Form Threads Class 3

HMVC 68-190E ACME General Purpose Threads Class 3 G

	G	Pitch diameter	Threads per in	d ₁	d ₂	d ₃	B	B ₁	Permitted piston displacement	Piston area	Weight
-	in	in	-	in	in	in	in	in	in	in ²	lb
HMVC 10E	1 967	1 9309	18	2.0	4.1	4.5	1.5	0.16	0.20	4.5	6.0
HMVC 11E	2 157	2 1209	18	2.2	4.3	4.7	1.5	0.16	0.20	4.9	6.1
HMVC 12E	2 360	2 3239	18	2.4	4.5	4.9	1.5	0.20	0.20	5.1	6.2
HMVC 13E	2 548	2 5119	18	2.6	4.8	5.1	1.5	0.20	0.20	5.6	6.6
HMVC 14E	2 751	2 7149	18	2.8	5.0	5.3	1.5	0.20	0.20	5.9	7.1
HMVC 15E	2 933	2 8789	12	3.0	5.2	5.5	1.5	0.20	0.20	6.2	7.5
HMVC 16E	3 137	3 0829	12	3.2	5.4	5.7	1.5	0.20	0.20	6.5	8.2
HMVC 17E	3 340	3 2859	12	3.4	5.6	5.9	1.5	0.20	0.20	6.8	8.3
HMVC 18E	3 527	3 4729	12	3.6	5.8	6.1	1.5	0.20	0.20	7.3	8.8
HMVC 19E	3 730	3 6759	12	3.8	6.0	6.4	1.5	0.20	0.20	7.6	9.5
HMVC 20E	3 918	3 8639	12	4.0	6.2	6.5	1.5	0.24	0.20	7.9	9.7
HMVC 21E	4 122	4 0679	12	4.2	6.4	6.8	1.5	0.24	0.20	8.2	10.3
HMVC 22E	4 325	4 2709	12	4.4	6.7	7.0	1.5	0.24	0.20	8.7	10.9
HMVC 24E	4 716	4 6619	12	4.7	7.0	7.4	1.5	0.24	0.20	9.3	11.6
HMVC 26E	5 106	5 0519	12	5.1	7.5	7.8	1.5	0.24	0.20	9.9	12.5
HMVC 28E	5 497	5 4429	12	5.5	7.9	8.2	1.5	0.28	0.20	10.5	13.2
HMVC 30E	5 888	5 8339	12	5.9	8.3	8.7	1.5	0.28	0.20	11.6	14.6
HMVC 32E	6 284	6 2028	8	6.3	8.8	9.1	1.6	0.28	0.24	13.3	16.8
HMVC 34E	6 659	6 5778	8	6.7	9.3	9.6	1.6	0.28	0.24	14.6	18.5
HMVC 36E	7 066	6 9848	8	7.1	9.7	10.1	1.6	0.28	0.24	16.0	20.2
HMVC 38E	7 472	7 3908	8	7.5	10.2	10.6	1.7	0.31	0.28	17.8	23.1

	G	Pitch diameter	Threads per in	d			B	B ₁	Permitted piston displacement	Piston area	Weight
				d ₁	d ₂	d ₃					
-	in	in	-	in	in	in	in	in	in	in ²	lb
HMVC 40E	7 847	7 7658	8	7.9	10.7	11.1	1.7	0.31	0.31	19.4	25.4
HMVC 44E	8 628	8 5468	8	8.7	11.5	12.0	1.7	0.31	0.35	22.3	29.8
HMVC 48E	9 442	9 3337	6	9.5	12.4	13.0	1.8	0.35	0.39	25.6	35.3
HMVC 52E	10 192	10 0837	6	10.3	13.4	14.0	1.9	0.35	0.43	29.1	41.9
HMVC 54E	10 604	10 4960	6	10.7	13.9	14.5	1.9	0.35	0.47	30.7	45.2
HMVC 56E	11 004	10 8957	6	11.1	14.3	15.0	1.9	0.35	0.47	32.7	48.5
HMVC 60E	11 785	11 6767	6	11.9	15.2	15.9	2.0	0.39	0.55	36.6	56.2
HMVC 64E	12 562	12 4537	6	12.7	16.1	16.9	2.1	0.39	0.55	40.8	65.0
HMVC 68E	13 339	13 2190	5	13.5	16.9	17.7	2.1	0.39	0.55	44.0	69.4
HMVC 72E	14 170	14 0500	5	14.3	17.9	18.6	2.2	0.39	0.59	48.5	78.3
HMVC 76E	14 957	14 8370	5	15.0	18.7	19.6	2.3	0.43	0.63	51.9	89.3
HMVC 80E	15 745	15 6250	5	15.8	19.6	20.6	2.4	0.43	0.67	56.9	100
HMVC 84E	16 532	16 4120	5	16.6	20.6	21.5	2.4	0.43	0.67	62.0	110
HMVC 88E	17 319	17 1990	5	17.4	21.4	22.3	2.4	0.47	0.67	65.9	119
HMVC 92E	18 107	17 9870	5	18.2	22.2	23.3	2.5	0.47	0.67	69.9	132
HMVC 96E	18 894	18 7740	5	19.0	23.1	24.1	2.6	0.47	0.75	75.3	139
HMVC 100E	19 682	19 5620	5	19.8	24.0	25.0	2.6	0.47	0.75	79.8	154
HMVC 106E	20 867	20 7220	4	20.9	25.4	26.4	2.7	0.51	0.83	87.1	174
HMVC 112E	22 048	21 9030	4	22.1	26.7	27.7	2.8	0.51	0.87	94.9	194
HMVC 120E	23 623	23 4780	4	23.7	28.4	29.4	2.9	0.51	0.91	104.3	220
HMVC 126E	24 804	24 6590	4	24.9	29.7	30.8	2.9	0.55	0.91	113.0	243
HMVC 134E	26 379	26 2340	4	26.5	31.3	32.5	3.0	0.55	0.94	123.2	265
HMVC 142E	27 961	27 7740	3	28.0	33.1	34.3	3.1	0.59	0.98	135.9	298
HMVC 150E	29 536	29 3490	3	29.6	34.8	35.9	3.1	0.59	0.98	147.6	322
HMVC 160E	31 504	31 3170	3	31.6	36.9	38.0	3.1	0.63	0.98	161.0	355
HMVC 170E	33 473	33 2860	3	33.5	39.0	40.2	3.3	0.63	1.02	177.6	399
HMVC 180E	35 441	35 2540	3	35.5	41.1	42.3	3.4	0.67	1.18	192.4	452
HMVC 190E	37 410	37 2230	3	37.5	43.2	44.3	3.4	0.67	1.18	210.3	481

5. Storage

Dry place without dust, storage in a well-ventilated dry room

- Shelf life: max. 24 months
- Relative humidity: < 65 %
- Storage temperature: +10 ... +40 °C
- No direct sunlight or UV radiation
- Protection from nearby sources of heat or cold

6. Transportation

Transportation of products is carried out in the container of the manufacturer by all means of transport at any distance.

The products must be packed in containers, containers and other components and materials that protect the product from damage and loss, in order to ensure their safety during transportation, reloading, transportation and storage.

Inhaltsangabe

CE Konformitätserklärung	19
Sicherheitshinweise	20
1. Beschreibung	21
1.1 Funktionsprinzip.....	21
1.2 Belastbarkeit.....	21
2. Betriebsanleitung	22
2.1 Aufschrauben der Hydraulikmutter auf das Gegengewinde.....	22
2.2 Ölpumpen.....	23
2.3 Lagereinbau.....	23
2.4 Ausbau von Lagern auf Spann- oder Abziehhülse	24
2.5 SKF Drive-up Montageverfahren für Lager mit kegeliger Bohrung.....	25
3. Instandhaltung	28
3.1 Leckagen	28
3.2 Ersatzteile.....	28
3.3 Zubehör	29
4. Produktdaten	29
4.1 Hydraulikmuttern - Reihe HMV E	29
4.2 Hydraulische Muttern - Serie HMVC.E (Gewinde in Inch)	32
5. Aufbewahrung	34
6. Transport	34

Übersetzung der Original-Bedienungsanleitungen

CE Konformitätserklärung HMV / HMVC

Die SKF MPT, Meidoornkade 14, 3992 AE Houten, Niederlande erklärt hiermit unter unserer alleinigen Verantwortung, dass die in dieser Gebrauchsanweisung beschriebenen Produkte den folgenden Richtlinien und Normen entsprechen:

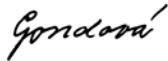
MASCHINENRICHTLINIE 2006/42/EC

außerdem stimmen sie mit den folgenden Normen überein:

EN-ISO 12100:2010,

EN-ISO 4413:2010.

Houten, in den Niederlanden, November 2021



Mrs. Andrea Gondová
Leiterin Qualität und Compliance





Sicherheitshinweise

Da hohe Kräfte/hohe Drücke ein Sicherheitsrisiko darstellen und gefährliche Verletzungen verursachen können, sind die folgenden Sicherheitshinweise zu beachten:

- Das Gerät darf nur von geschultem Personal bedient werden.
- Stets die Gebrauchsanweisung/Betriebsanleitung beachten.
- Vor Inbetriebnahme sind die Hydraulikmutter und alle Zubehörteile sorgfältig zu überprüfen. Beschädigte Teile, auch mit nur geringfügigen Beschädigungen, dürfen keinesfalls verwendet werden.
- Vor dem Druckaufbau im Gerät muß das Hydrauliksystem vollständig entlüftet werden.
- Die Hydraulikmutter niemals für andere Anwendungen verwenden als für den Ein- und Ausbau von Lagern.
- Nie ohne Manometer arbeiten.
- Wenn sich das zu demontierende Bauteil oder Werkzeug gelöst hat, besteht die Gefahr, dass es schlagartig von seinem Sitz herunterschießt. Daher Bauteil/Werkzeug immer sichern, beispielsweise mit einer Sicherungsmutter.
- Der maximal zulässige Kolbenhub darf nicht überschritten werden.
- Immer Schutzbrille tragen.
- Auf keinen Fall Veränderungen am Gerät vornehmen.
- Nur Original-Ersatzteile verwenden.
- Nur saubere Drucköle nach SKF Empfehlung verwenden (z.B. SKF LHM 300, SKF LHDF 900, o.ä.).
- Der Umgang mit Muttern sollte den Arbeitssicherheits- und örtlichen Vorschriften entsprechen.
- Bitte keine Hebeseile aus Stahl direkt an der Mutter befestigen, da diese die Gewinde der Mutter beschädigen könnten.
- Ringschrauben (wo verwendet) sind sorgfältig anzupassen.
- Wenn Sie Fragen zur Benutzung der Hydraulikmutter haben oder Unsicherheit vorliegt, wenden Sie sich bitte an SKF.

1. Beschreibung

1.1 Funktionsprinzip

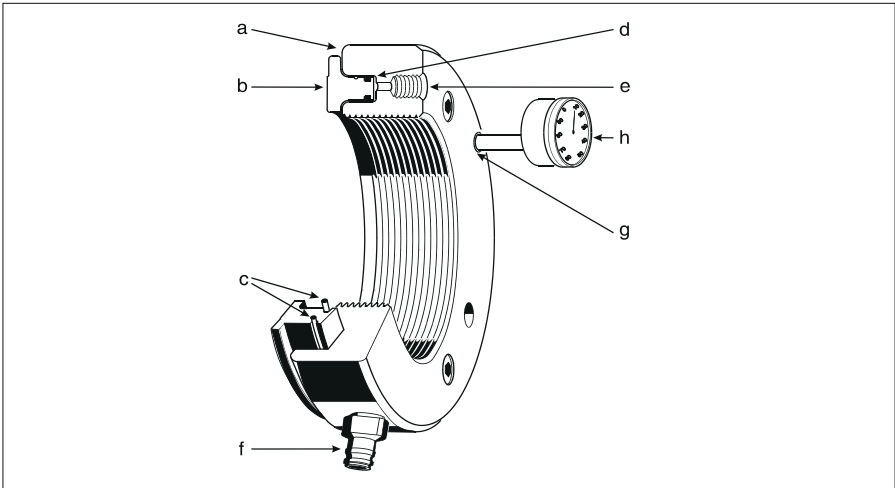


Bild 1. Aufbau einer Hydraulikmutter

Hydraulikmutter erleichtern erheblich die Montage und Demontage von Wälzlagern mit kegeliger Lagerbohrung. Sie bestehen im wesentlichen aus zwei Teilen: einem Ringkörper mit Innengewinde und einer Ringnut in einer Seitenfläche (1a), in die der Ringkolben (1b) eingesetzt ist. Zwei O-Ringe (1c) dienen als Abdichtung zwischen Ringkörper und Ringkolben. Wenn Öl in die Druckkammer (1d) gepumpt wird, reicht die beim Herauspressen des Kolbens erzeugte Kraft zum Einbau und Ausbau von Wälzlagern aus. Für den Anschluss der Ölleitung befinden sich im Ringkörper zwei Gewindebohrungen, eine in der Seitenfläche (1e) und eine im zylindrischen Mantel (1f). Die jeweils nicht benötigte Gewindebohrung wird durch einen Verschlussnippel mit Kugel verschlossen, der zusammen mit der Hydraulikmutter geliefert wird. Der Ringkörper ist außerdem mit einer gewindelosen Durchgangsbohrung (1h) versehen, in die eine Messuhr eingesetzt werden kann. Der Messbolzen der Uhr liegt gegen einen Ansatz am Ringkolben an und erlaubt so die genaue Messung der axialen Verschiebung des Ringkolbens und damit des Lagers. (Hinweis: Über den Aufschiebeweg lässt sich der korrekte Einbau ermitteln; Infos unter skf.com/mount oder durch Herunterladen des Programms zum SKF Drive-up Verfahren auf skf.com. Alternativ können Sie sich auch die App zum SKF Drive-up Verfahren im App Store® oder über Google Play™ herunterladen).

Alle Hydraulikmutter sind zum einfachen Anschluss an die Ölpumpen mit dem Anschlussnippel 729832 A für Schnellkupplungen ausgerüstet. Außerdem liegt allen Mutter ein Reversersatz von Dichtringen, ein Wartungssatz und ein Steckgriff zum Drehen der Mutter auf dem Gegengewinde bei.

1.2 Belastbarkeit

Die SKF Hydraulikmutter sind für die beim Einbau und Ausbau von Wälzlagern üblicherweise auftretenden Kräfte ausgelegt.

Maximal zulässiger Öldruck bei zulässigem Kolbenhub für Hydraulikmutter der HMV Serie:

HMV 10 - 60	80 MPa
HMV 62 - 100	40 MPa
HMV 102 - 200	25 MPa

2. Betriebsanleitung

2.1 Aufschrauben der Hydraulikmutter auf das Gegengewinde

Um das Aufschrauben insbesondere von großen Hydraulikmutter zu erleichtern, ist es wichtig, dass die Mutter vorher gegenüber dem Gegengewinde korrekt ausgerichtet wird. Zur Erleichterung sollte deshalb bei großen Hydraulikmutter ein spezielles Montagewerkzeug, ähnlich dem in Bild 2 gezeigten, eingesetzt werden. Bei der Montage von Lagern auf Spann- oder Abziehhülsen ist darauf zu achten, dass die Stirnseiten der Hülsen planparallel ausgerichtet sind damit die Gewindegänge fluchten.

Außerdem empfiehlt es sich, vor dem Aufschrauben der Hydraulikmutter das Gegengewinde mit einer Molybdändisulfidpaste oder einer ähnlichen Montagepaste zu bestreichen.

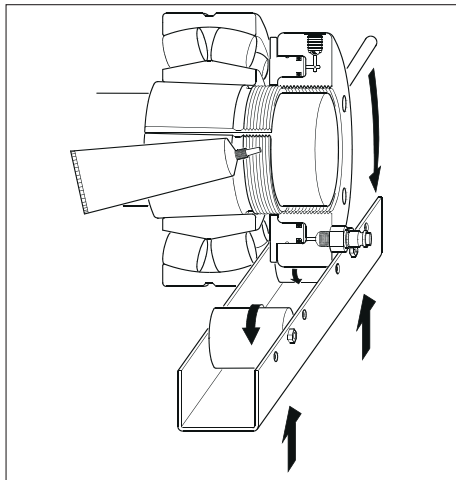


Bild 2. Abstützung einer großen Hydraulikmutter

Das Aufschrauben der Mutter auf das Wellen- oder Hülsengewinde erleichtert der mitgelieferte Steckgriff. Hierzu sind am Umfang des Ringkörpers der Mutter vier und in der Seitenfläche zwei gewindelose Sackbohrungen angebracht, in die der Steckgriff eingesetzt werden kann.

Die Hydraulikmutter ab der Größe HMV(C) 94 E sind zusätzlich mit zwei Gewindebohrungen für Ringschrauben nach DIN 580:1972 versehen. Dies ermöglicht die Verwendung von Anschlagmitteln in Verbindung mit einem Kran, was das Handhaben der Hydraulikmutter wesentlich sicherer und leichter macht. Die Größen der Gewindebohrungen sind in der nachfolgenden Tabelle aufgeführt:

HMV(C) ..E Muttergröße	Ringschrauben- Gewinde (DIN 580)
94 - 130	M10
134 - 160	M12
170 - 200	M16

Um das Ansetzen von Muttern ab der Größe 94 weiter zu erleichtern, kennzeichnet ein Pfeil auf der Ringkörpermantelfläche den Gewindeanfang.

2.2 Ölpumpen

Bei SKF steht ein umfangreiches Sortiment an Pumpen zur Verfügung, das für die Betätigung der HMV(C) Hydraulikmuttern infrage kommt. Geeignete Pumpen können in Abhängigkeit vom Anwendungsfall und von der Muttergröße der nachfolgenden Aufstellung entnommen werden.

HMV(C) 10E - HMV(C) 54E	729124/TMJL 50/TMJL 100/728619E
HMV(C) 56E - HMV(C) 92E	TMJL 50/TMJL 100/728619E
HMV(C) 94E - HMV(C) 200E	TMJL 50/728619E

Bei Anwendung des SKF Montageverfahrens (SKF Drive-up Method):

HMV(C) 10E ... 54E	729124 DU/TMJL 50DU/TMJL 100DU
HMV(C) 56E ... 92E	TMJL 50DU/TMJL 100DU
HMV(C) 94E ... 200E	TMJL 50DU

Hinweis:

Durch das Nachsetzzeichen DU gekennzeichnete Ölpumpen sind mit dem Digital-Manometer THGD 100 (0 - 100 MPa) ausgerüstet. Als Druckmedien eignen sich normale Maschinenöle mit einer Viskosität von etwa 300 mm²/s bei Betriebstemperatur, zum Beispiel die SKF Montageflüssigkeit LHMf 300. Vor Beginn der Betätigung der Mutter ist sicherzustellen, dass sich keine Luft mehr im "hydraulischen System" befindet. Hierzu empfiehlt es sich, die Hydraulikmutter so anzuordnen, dass sich die nicht benötigte Gewindebohrung für den Ölanschluss an der höchsten Stelle befindet. Nach Öffnen der Verschlusschraube mit Kugel ist so lange Öl in die Mutter zu pumpen bis blasenfreies Öl austritt. Danach ist die Verschlusschraube mit Kugel wieder zu schließen und das System betriebsbereit.

2.3 Lagereinbau

Die Hydraulikmutter (mit dem Ringkolben in Ausgangsstellung) ist vorsichtig auf das Wellen- bzw. Hülsengewinde aufzuschrauben und ist gegen den Lagerinnenring (Bilder 3 und 4), die Abziehhülse (Bild 5) oder eine spezielle Wellenmutter (Bild 6) bzw. gegen eine am Wellenende angeschraubte Endscheibe abzustützen. Es ist darauf zu achten, dass das Muttergewinde möglichst über seine gesamte Länge das Gegengewinde abdeckt. Der Mindestwert von 80% sollte jedoch nicht unterschritten werden. Kann auch dieser Wert nicht eingehalten werden, ist eine zusätzliche Abstützung der Hydraulikmutter erforderlich.

Einbau



*Bild 3.
Einbau eines Lagers
direkt auf kegeligem
Sitz*



*Bild 4.
Einbau eines gegen
einen Anschlag
abgestützten Lagers
auf Spannhülse*



*Bild 5.
Einpressen einer
Abziehhülse in ein
Lager, das gegen
eine Wellenschulter
abgestützt ist*



*Bild 6.
Einpressen einer
Abziehhülse in ein
Lager mit einer auf
dem Hülsengewinde
montierten
Hydraulikmutter, die gegen
einen Anschlag auf der
Welle abgestützt ist*

Die Betätigung der Hydraulikmutter erfolgt mit Drucköl, das von einer Ölpumpe erzeugt wird. Der zulässige Hub des Ringkolbens ist so bemessen, dass sämtliche Lager mit Kegel 1:12 und 1:30 in einem Arbeitsgang eingebaut werden können. Er ist durch eine Rille in der Außenfläche des Kolbens gekennzeichnet und sollte nicht überschritten werden. Nach Abschluss der Lagermontage ist das Rücklaufventil der Pumpe zu öffnen, damit das unter hohem Druck stehende Öl aus der Hydraulikmutter zurück in die Ölpumpe fließen kann. Zur vollständigen Rückführung des Öls ist der Ringkolben der Mutter wieder in die Ausgangsstellung zu bringen. Dies geschieht am einfachsten durch weiteres Aufschrauben der Hydraulikmutter auf das Wellen- bzw. Hülsengewinde, bevor sie davon abgenommen wird.

2.4 Ausbau von Lagern auf Spann- oder Abziehhülse

Zur Demontage der Wälzlager auf Spann- oder Abziehhülse wird die Hydraulikmutter auf das Hülsengewinde geschraubt und der Ringkolben gegen den Lagerinnenring (Bild 7) oder einen speziellen zweiteiligen Ring (Bild 8) abgestützt. Durch Einpressen von Öl in die Hydraulikmutter wird der Ringkolben herausgedrückt und die Abziehhülse aus der Lagerbohrung herausgezogen bzw. die Spannhülse unter dem Lager durchgeschoben.

Ausbau



*Bild 7.
Herausziehen einer Abziehhülse aus
einer kegelförmigen Lagerbohrung*



*Bild 8.
Ausbau eines Lager auf Spannhülse mit
einer auf dem Hülsengewinde
montierten Hydraulikmutter, die gegen einen Anschlag
auf der Welle abgestützt ist.*

2.5 SKF Drive-up Montageverfahren für Lager mit kegeliger Bohrung

Bei Lagern mit kegeliger Bohrung wurde ursprünglich die Lagerluftverminderung als Maß für die Festigkeit der Passung herangezogen. Dieses Montageverfahren erforderte jedoch gut ausgebildete Servicetechniker mit viel Geschick bei der Messung der Lagerluft mit Fühllehren.

Das SKF Drive-up Montageverfahren erhöht entscheidend die Zuverlässigkeit und erleichtert erheblich den Einbau von Lagern mit kegeliger Bohrung. Es basiert auf der axialen Verschiebung des Lagers gegenüber dem kegeligen Lagersitz und wurde für den Einbau von Pendelrollenlagern, CARB® Toroidal-Rollenlager und einiger Pendelkugellager entwickelt. Für jedes einzelne Lager erarbeitete Richtwerte für den erforderlichen Druck in der Hydraulikmutter machen die sichere Bestimmung der Ausgangslage möglich, von der aus die axiale Verschiebung zu messen ist.

Um das SKF Drive-up Montageverfahren anwenden zu können, sind ein auf die Montagebedingungen abgestimmtes Digital-Manometer und eine Messuhr (Bild 9) erforderlich. Durch das Nachsetzzeichen DU gekennzeichnete SKF Ölpumpen sind mit einem Digital-Manometer für Drücke von 0 - 100 MPa ausgerüstet.

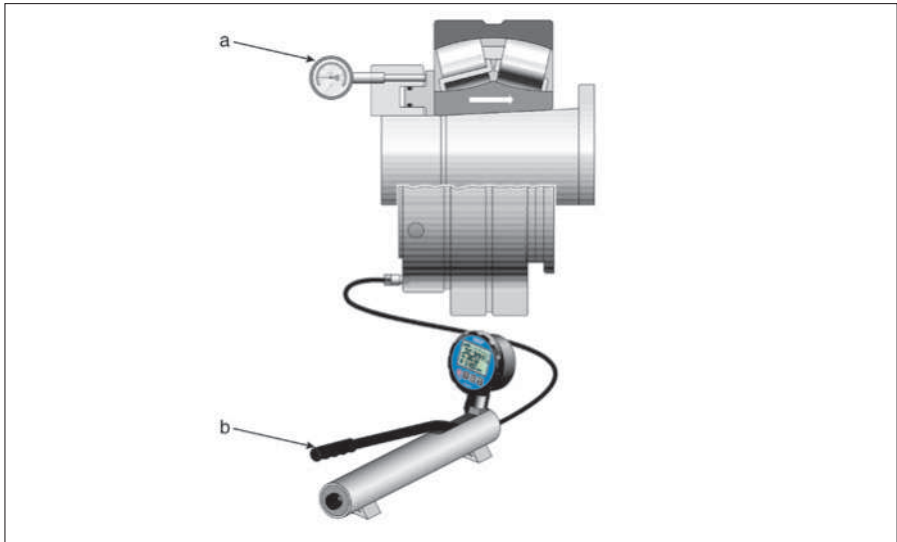


Bild 9. Messuhr mit Ölpumpe

Messuhr (Bild 9a)	
Messuhr mit metrischer Skalierung	TMCD 10R / TMCD 5P
Messuhr mit inch Skalierung	TMCD 1/2R

Hydraulikpumpen mit digitalem Manometer (Bild 9b)			
0-100 MPa			
Ölpumpen für Muttern bis zur Größe	HMV (C) 54E	HMV (C) 92E	HMV (C) 200E
Angaben zur Pumpe	729124 DU	TMJL 100DU	TMJL 50DU

Die Vorgehensweise

Schritt 1

Vergewissern Sie sich, dass die Lagergröße mit der HMV(C)E Muttergröße kompatibel ist. Beispiel: Verwenden Sie HMV(C) 36E für das auf einer Welle montierte Lager 23936 CCK/W33. Anderfalls muss der der Anfangsposition entsprechende Druck angepasst werden.

Schritt 2

Bestimmen Sie, ob während der Montage eine oder zwei Flächen gleiten sollen. Siehe Bild 10 - 13.

Schritt 3

Fahren Sie das Lager auf die Anfangsposition hoch, indem Sie auf die HMV(C)E-Mutter den korrekten hydraulischen Druck einwirken lassen. Siehe Bild 14. Alternativ kann die SKF digitale Druckanzeige direkt auf die hydraulische Mutter geschraubt werden. Fahren Sie das Lager auf dem Kegel hoch, bis der gewünschte Abstand erreicht ist. Verfolgen Sie das axiale Hochfahren mit Hilfe eines Feinzeigers. Den anfänglichen Hydraulikdruck (MPa/psi) sowie die axiale Verschiebung (mm) finden Sie auf skf.com/mount oder durch Herunterladen des PC-Programms zum SKF Drive-up Verfahren auf skf.com. Alternativ können Sie sich auch die App zum SKF Drive-up Verfahren im App Store oder über Google Play) herunterladen.

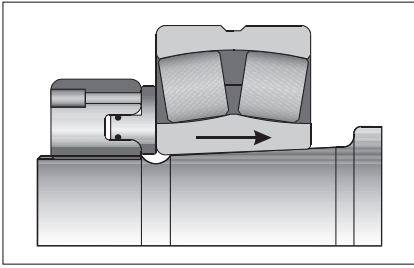


Bild 10. Eine Gleitfläche

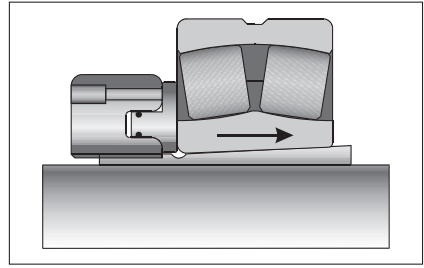


Bild 11. Eine Gleitfläche

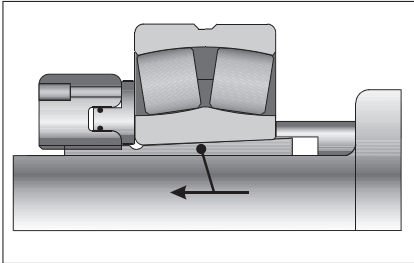


Bild 12. Zwei Gleitflächen

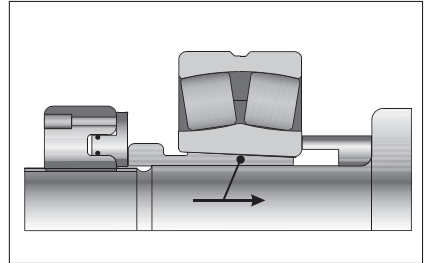


Bild 13. Zwei Gleitflächen

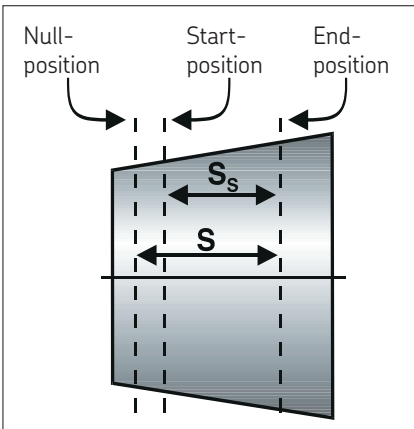


Bild 14. Einbaupositionen



3. Instandhaltung

Werden Hydraulikmuttern längere Zeit nicht verwendet, sind sie gegen Korrosion zu schützen. Außerdem sind die Anschlussbohrungen für die Ölzufuhr zu verschließen, um den Zutritt von Schmutz zu verhindern.

3.1 Leckagen

Tritt bei Gebrauch am Ringkolben Öl aus der Hydraulikmutter, so sind in der Regel eine oder beide Dichtringe gerissen oder beschädigt und müssen ausgewechselt werden. Zum Austausch der Dichtringe ist der Ringkolben aus dem Ringkörper herauszudrücken. Um das Herausdrücken des Ringkolbens zu vereinfachen, sind in der vollen Stirnseite des Ringkörpers drei mit Verschlusschrauben verschlossene Hilfsbohrungen angebracht. Mit Hilfe von Stiften, die zum Lieferumfang gehören, kann über diese Bohrungen der Ringkolben aus dem Ringkörper herausgedrückt werden (Bild 15).

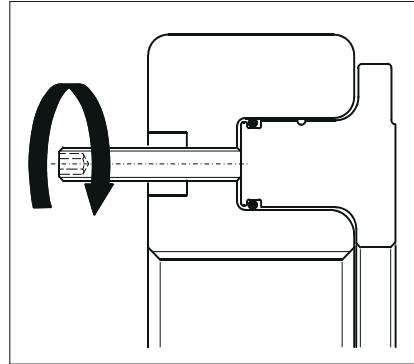


Bild 15. Herausdrücken des Ringkolbens

Zusätzliche Ersatzdichtringe sind von uns erhältlich. Bei ihrer Bestellung ist mit der Bezeichnung der Hydraulikmutter, für die die Dichtringe benötigt werden, das Nachsetzzeichen /233983 anzugeben, z. B. HMV 10 E/233983.

3.2 Ersatzteile

Beschreibung	Bezeichnung
Dichtringe	Mutterbezeichnung + Nachsetzzeichen / 233983, zum Beispiel HMV 10/233983
Verschlusschraube mit Kugel	233950
Schnellkupplung	729832 A
Nylonschrauben zur Befestigung der Messuhr (Lieferung im 10er-Pack)	HMVE M5x10 (Muttergröße 10...69) MVE M5x17 (ab Muttergröße 70)
Wartungssatz (Gewindestiften, Kupferringen, Sechskantschlüssel)	HMVM 10/29 (für Muttern der Größe 10...29) HMVM 30/69 (für Muttern der Größe 30...69) HMVM 70/200 (für Muttern der Größe 70...200)

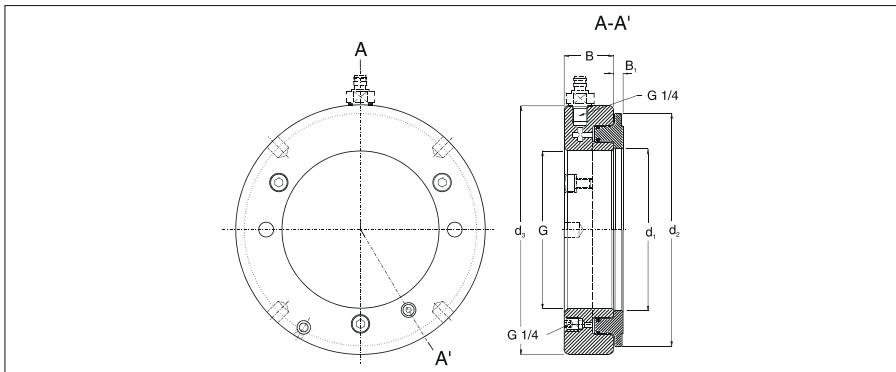
3.3 Zubehör

Beschreibung	Bezeichnung
Montageflüssigkeit, 5 Liter	LHMF 300/5
Messuhr	TMCD 5P ((rückwärtigem Messbolzen, 0-5 mm) TMCD 10R (seitlichem Messbolzen, 0-10 mm) TMCD 1/2R (seitlichem Messbolzen, 0 - 1/2 in)

4. Produktdaten

In den nachfolgenden Tabellen sind die Produktdaten der SKF Hydraulikmutter der Standardreihe HMV E mit metrischem Gewinde, der Reihe HMVC... E mit Zollgewinde. Weitergehende Informationen erhalten Sie auf Anfrage.

4.1 Hydraulikmuttern - Reihe HMV E



Muttergewinde

HMV 10E - HMV 40E	ISO 965/III-1980, Toleranzklasse 6H
HMV 41E - HMV 200E	ISO 2901-1977, Toleranzklasse 7H

Empfohlene Einschraubgewinde

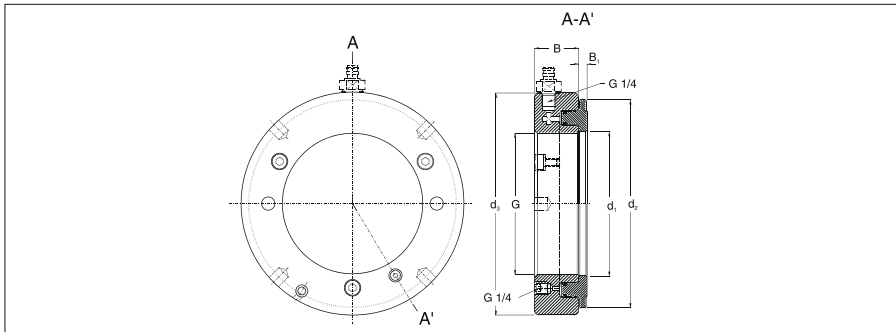
HMV 10E - HMV 40E	ISO 965/III-1980, Toleranzklasse 6g
HMV 41E - HMV 200E	ISO 2901-1977, Toleranzklasse 7e

Bezeichnung	G	Abmessungen			B	B ₁	Zulässige Kolbenhub	Kolben- fläche	Gewicht
		d ₁	d ₂	d ₃					
-	Gewinde	mm	mm	mm	mm	mm	mm	mm ²	kg
HMV 10E	M 50x1,5	50,5	104	114	38	4	5	2 900	2,70
HMV 11E	M 55x2	55,5	109	120	38	4	5	3 150	2,75
HMV 12E	M 60x2	60,5	115	125	38	5	5	3 300	2,80
HMV 13E	M 65x2	65,5	121	130	38	5	5	3 600	3,00
HMV 14E	M 70x2	70,5	127	135	38	5	5	3 800	3,20
HMV 15E	M 75x2	75,5	132	140	38	5	5	4 000	3,40
HMV 16E	M 80x2	80,5	137	146	38	5	5	4 200	3,70
HMV 17E	M 85x2	85,5	142	150	38	5	5	4 400	3,75
HMV 18E	M 90x2	90,5	147	156	38	5	5	4 700	4,00
HMV 19E	M 95x2	95,5	153	162	38	5	5	4 900	4,30
HMV 20E	M 100x2	100,5	158	166	38	6	5	5 100	4,40
HMV 21E	M 105x2	105,5	163	172	38	6	5	5 300	4,65
HMV 22E	M 110x2	110,5	169	178	38	6	5	5 600	4,95
HMV 23E	M 115x2	115,5	174	182	38	6	5	5 800	5,00
HMV 24E	M 120x2	120,5	179	188	38	6	5	6 000	5,25
HMV 25E	M 125x2	125,5	184	192	38	6	5	6 200	5,35
HMV 26E	M 130x2	130,5	190	198	38	6	5	6 400	5,65
HMV 27E	M 135x2	135,5	195	204	38	6	5	6 600	5,90
HMV 28E	M 140x2	140,5	200	208	38	7	5	6 800	6,00
HMV 29E	M 145x2	145,5	206	214	39	7	5	7 300	6,50
HMV 30E	M 150x2	150,5	211	220	39	7	5	7 500	6,60
HMV 31E	M 155x3	155,5	218	226	39	7	5	8 100	6,95
HMV 32E	M 160x3	160,5	224	232	40	7	6	8 600	7,60
HMV 33E	M 165x3	165,5	229	238	40	7	6	8 900	7,90
HMV 34E	M 170x3	170,5	235	244	41	7	6	9 400	8,40
HMV 36E	M 180x3	180,5	247	256	41	7	6	10 300	9,15
HMV 38E	M 190x3	191	259	270	42	8	7	11 500	10,5
HMV 40E	M 200x3	201	271	282	43	8	8	12 500	11,5
HMV 41E	Tr 205x4	207	276	288	43	8	8	12 800	12,0
HMV 42E	Tr 210x4	212	282	294	44	8	9	13 400	12,5
HMV 43E	Tr 215x4	217	287	300	44	8	9	13 700	13,0
HMV 44E	Tr 220x4	222	293	306	44	8	9	14 400	13,5
HMV 45E	Tr 225x4	227	300	312	45	8	9	15 200	14,5
HMV 46E	Tr 230x4	232	305	318	45	8	9	15 500	14,5
HMV 47E	Tr 235x4	237	311	326	46	8	10	16 200	16,0
HMV 48E	Tr 240x4	242	316	330	46	9	10	16 500	16,0
HMV 50E	Tr 250x4	252	329	342	46	9	10	17 600	17,5
HMV 52E	Tr 260x4	262	341	356	47	9	11	18 800	19,5
HMV 54E	Tr 270x4	272	352	368	48	9	12	19 800	20,5
HMV 56E	Tr 280x4	282	363	380	49	9	12	21 100	22,0
HMV 58E	Tr 290x4	292	375	390	49	9	13	22 400	22,5
HMV 60E	Tr 300x4	302	386	404	51	10	14	23 600	25,5

Bezeichnung	G	Abmessungen			B	B ₁	Zulässige Kolbenhub	Kolben- fläche	Gewicht
		d ₁	d ₂	d ₃					
-	Gewinde	mm	mm	mm	mm	mm	mm	mm ²	kg
HMV 62E	Tr 310x5	312	397	416	52	10	14	24 900	27,0
HMV 64E	Tr 320x5	322	409	428	53	10	14	26 300	29,5
HMV 66E	Tr 330x5	332	419	438	53	10	14	27 000	30,0
HMV 68E	Tr 340x5	342	430	450	54	10	14	28 400	31,5
HMV 69E	Tr 345x5	347	436	456	54	10	14	29 400	32,5
HMV 70E	Tr 350x5	352	442	464	56	10	14	29 900	35,0
HMV 72E	Tr 360x5	362	455	472	56	10	15	31 300	35,5
HMV 73E	Tr 365x5	367	460	482	57	11	15	31 700	38,5
HMV 74E	Tr 370x5	372	466	486	57	11	16	32 800	39,0
HMV 76E	Tr 380x5	382	476	498	58	11	16	33 500	40,5
HMV 77E	Tr 385x5	387	483	504	58	11	16	34 700	41,0
HMV 80E	Tr 400x5	402	499	522	60	11	17	36 700	45,5
HMV 82E	Tr 410x5	412	510	534	61	11	17	38 300	48,0
HMV 84E	Tr 420x5	422	522	546	61	11	17	40 000	50,0
HMV 86E	Tr 430x5	432	532	556	62	11	17	40 800	52,5
HMV 88E	Tr 440x5	442	543	566	62	12	17	42 500	54,0
HMV 90E	Tr 450x5	452	554	580	64	12	17	44 100	57,5
HMV 92E	Tr 460x5	462	565	590	64	12	17	45 100	60,0
HMV 94E	Tr 470x5	472	576	602	65	12	18	46 900	62,0
HMV 96E	Tr 480x5	482	587	612	65	12	19	48 600	63,0
HMV 98E	Tr 490x5	492	597	624	66	12	19	49 500	66,0
HMV 100E	Tr 500x5	502	609	636	67	12	19	51 500	70,0
HMV 102E	Tr 510x6	512	624	648	68	12	20	53 300	74,0
HMV 104E	Tr 520x6	522	634	658	68	13	20	54 300	75,0
HMV 106E	Tr 530x6	532	645	670	69	13	21	56 200	79,0
HMV 108E	Tr 540x6	542	657	682	69	13	21	58 200	81,0
HMV 110E	Tr 550x6	552	667	693	70	13	21	59 200	84,0
HMV 112E	Tr 560x6	562	678	704	71	13	22	61 200	88,0
HMV 114E	Tr 570x6	572	689	716	72	13	23	63 200	91,0
HMV 116E	Tr 580x6	582	699	726	72	13	23	64 200	94,0
HMV 120E	Tr 600x6	602	721	748	73	13	23	67 300	100
HMV 126E	Tr 630x6	632	754	782	74	14	23	72 900	110
HMV 130E	Tr 650x6	652	775	804	75	14	23	76 200	115
HMV 134E	Tr 670x6	672	796	826	76	14	24	79 500	120
HMV 138E	Tr 690x6	692	819	848	77	14	25	84 200	127
HMV 142E	Tr 710x7	712	840	870	78	15	25	87 700	135
HMV 150E	Tr 750x7	752	883	912	79	15	25	95 200	146
HMV 160E	Tr 800x7	802	936	965	80	16	25	103 900	161
HMV 170E	Tr 850x7	852	990	1 020	83	16	26	114 600	181
HMV 180E	Tr 900x7	902	1 043	1 075	86	17	30	124 100	205
HMV 190E	Tr 950x8	952	1 097	1 126	86	17	30	135 700	218
HMV 200E	Tr 1000x8	1 002	1 150	1 180	88	17	34	145 800	239

4.2 Hydraulische Muttern - Serie HMVC.E (Gewinde in Inch)

Die Hydraulikmutter der Reihe HMVC... E sind sowohl mit einer Schnellkupplung 729832 A als auch mit einem Anschlussnippel 729106/100MPa mit G 1/4 Außengewinde und NPT 3/8 Innengewinde bestückt.



Die Abmessungen der Gewinde entsprechen den Empfehlungen der amerikanischen Anti-Friction Bearing Manufacturers Association (ABMA):

HMVC 10-64E American National Form NS Class 3

HMVC 68-190E ACME General Purpose Class 3G

	G	Flanken- durch- messer	Gewinde pro in	d ₁	d ₂	d ₃	B	B ₁	Zulässige Kolbenhub	Kolben- fläche	Gewicht
-	in	in	-	in	in	in	in	in	in	in ²	lb
HMVC 10E	1 967	1 9309	18	2.0	4.1	4.5	1.5	0.16	0.20	4.5	6.0
HMVC 11E	2 157	2 1209	18	2.2	4.3	4.7	1.5	0.16	0.20	4.9	6.1
HMVC 12E	2 360	2 3239	18	2.4	4.5	4.9	1.5	0.20	0.20	5.1	6.2
HMVC 13E	2 548	2 5119	18	2.6	4.8	5.1	1.5	0.20	0.20	5.6	6.6
HMVC 14E	2 751	2 7149	18	2.8	5.0	5.3	1.5	0.20	0.20	5.9	7.1
HMVC 15E	2 933	2 8789	12	3.0	5.2	5.5	1.5	0.20	0.20	6.2	7.5
HMVC 16E	3 137	3 0829	12	3.2	5.4	5.7	1.5	0.20	0.20	6.5	8.2
HMVC 17E	3 340	3 2859	12	3.4	5.6	5.9	1.5	0.20	0.20	6.8	8.3
HMVC 18E	3 527	3 4729	12	3.6	5.8	6.1	1.5	0.20	0.20	7.3	8.8
HMVC 19E	3 730	3 6759	12	3.8	6.0	6.4	1.5	0.20	0.20	7.6	9.5
HMVC 20E	3 918	3 8639	12	4.0	6.2	6.5	1.5	0.24	0.20	7.9	9.7
HMVC 21E	4 122	4 0679	12	4.2	6.4	6.8	1.5	0.24	0.20	8.2	10.3
HMVC 22E	4 325	4 2709	12	4.4	6.7	7.0	1.5	0.24	0.20	8.7	10.9
HMVC 24E	4 716	4 6619	12	4.7	7.0	7.4	1.5	0.24	0.20	9.3	11.6
HMVC 26E	5 106	5 0519	12	5.1	7.5	7.8	1.5	0.24	0.20	9.9	12.5
HMVC 28E	5 497	5 4429	12	5.5	7.9	8.2	1.5	0.28	0.20	10.5	13.2
HMVC 30E	5 888	5 8339	12	5.9	8.3	8.7	1.5	0.28	0.20	11.6	14.6
HMVC 32E	6 284	6 2028	8	6.3	8.8	9.1	1.6	0.28	0.24	13.3	16.8
HMVC 34E	6 659	6 5778	8	6.7	9.3	9.6	1.6	0.28	0.24	14.6	18.5
HMVC 36E	7 066	6 9848	8	7.1	9.7	10.1	1.6	0.28	0.24	16.0	20.2
HMVC 38E	7 472	7 3908	8	7.5	10.2	10.6	1.7	0.31	0.28	17.8	23.1

	G	Flanken- durch- messer	Gewinde pro in	d ₁	d ₂	d ₃	B	B ₁	Zulässige Kolbenhub	Kolben- fläche	Gewicht
				in	in	in	in	in			
HMVC 40E	7 847	7 7658	8	7.9	10.7	11.1	1.7	0.31	0.31	19.4	25.4
HMVC 44E	8 628	8 5468	8	8.7	11.5	12.0	1.7	0.31	0.35	22.3	29.8
HMVC 48E	9 442	9 3337	6	9.5	12.4	13.0	1.8	0.35	0.39	25.6	35.3
HMVC 52E	10 192	10 0837	6	10.3	13.4	14.0	1.9	0.35	0.43	29.1	41.9
HMVC 54E	10 604	10 4960	6	10.7	13.9	14.5	1.9	0.35	0.47	30.7	45.2
HMVC 56E	11 004	10 8957	6	11.1	14.3	15.0	1.9	0.35	0.47	32.7	48.5
HMVC 60E	11 785	11 6767	6	11.9	15.2	15.9	2.0	0.39	0.55	36.6	56.2
HMVC 64E	12 562	12 4537	6	12.7	16.1	16.9	2.1	0.39	0.55	40.8	65.0
HMVC 68E	13 339	13 2190	5	13.5	16.9	17.7	2.1	0.39	0.55	44.0	69.4
HMVC 72E	14 170	14 0500	5	14.3	17.9	18.6	2.2	0.39	0.59	48.5	78.3
HMVC 76E	14 957	14 8370	5	15.0	18.7	19.6	2.3	0.43	0.63	51.9	89.3
HMVC 80E	15 745	15 6250	5	15.8	19.6	20.6	2.4	0.43	0.67	56.9	100
HMVC 84E	16 532	16 4120	5	16.6	20.6	21.5	2.4	0.43	0.67	62.0	110
HMVC 88E	17 319	17 1990	5	17.4	21.4	22.3	2.4	0.47	0.67	65.9	119
HMVC 92E	18 107	17 9870	5	18.2	22.2	23.3	2.5	0.47	0.67	69.9	132
HMVC 96E	18 894	18 7740	5	19.0	23.1	24.1	2.6	0.47	0.75	75.3	139
HMVC 100E	19 682	19 5620	5	19.8	24.0	25.0	2.6	0.47	0.75	79.8	154
HMVC 106E	20 867	20 7220	4	20.9	25.4	26.4	2.7	0.51	0.83	87.1	174
HMVC 112E	22 048	21 9030	4	22.1	26.7	27.7	2.8	0.51	0.87	94.9	194
HMVC 120E	23 623	23 4780	4	23.7	28.4	29.4	2.9	0.51	0.91	104.3	220
HMVC 126E	24 804	24 6590	4	24.9	29.7	30.8	2.9	0.55	0.91	113.0	243
HMVC 134E	26 379	26 2340	4	26.5	31.3	32.5	3.0	0.55	0.94	123.2	265
HMVC 142E	27 961	27 7740	3	28.0	33.1	34.3	3.1	0.59	0.98	135.9	298
HMVC 150E	29 536	29 3490	3	29.6	34.8	35.9	3.1	0.59	0.98	147.6	322
HMVC 160E	31 504	31 3170	3	31.6	36.9	38.0	3.1	0.63	0.98	161.0	355
HMVC 170E	33 473	33 2860	3	33.5	39.0	40.2	3.3	0.63	1.02	177.6	399
HMVC 180E	35 441	35 2540	3	35.5	41.1	42.3	3.4	0.67	1.18	192.4	452
HMVC 190E	37 410	37 2230	3	37.5	43.2	44.3	3.4	0.67	1.18	210.3	481

5. Aufbewahrung

Trockene und staubfreie Aufbewahrung in einem gut belüfteten Raum

- Lagerbeständigkeit: max. 24 Monate
- Relative Luftfeuchtigkeit: < 65 %
- Lagertemperatur: +10 bis +40 °C
- Keine direkte Sonneneinstrahlung oder UV-Strahlung
- Schutz vor Wärme- bzw. Kältequellen

6. Transport

Bei sämtlichen Transportmitteln und Entfernungen hat der Transport im Behälter des Herstellers zu erfolgen.

Um die Sicherheit der Produkte beim Transport, Umladen und Aufbewahren der Produkte zu gewährleisten, müssen diese in Behälter, andere Komponenten und Materialien verpackt sein, die die Produkte vor Beschädigung und Verlust schützen.

Índice

Declaración de conformidad CE	36
Recomendaciones de seguridad	37
1. Descripción.....	38
1.1 Principio de funcionamiento.....	38
1.2 Capacidad de carga.....	38
2. Instrucciones de utilización	39
2.1 Cómo colocar la tuerca.....	39
2.2 Cómo generar la presión.....	40
2.3 Montaje de rodamientos.....	40
2.4 Desmontaje de rodamientos	41
2.5 Método del Calado Axial SKF para el montaje de rodamientos con agujero cónico	41
3. Mantimiento	44
3.1 En caso de fuga	44
3.2 Piezas de repuesto.....	44
3.3 Accesorios	45
4. Dimensiones.....	45
4.1 Tuercas hidráulicas - serie HMV...E.....	45
4.2 Tuercas hidráulicas - serie HMVC...E (rosca en pulgadas).....	48
5. Almacenamiento	50
6. Transporte	50

Declaración de conformidad UE HMV / HMVC

SKF MPT, Meidoornkade 14, 3992 AE Houten, Países Bajos, declara bajo su exclusiva responsabilidad que los productos descritos en estas instrucciones de uso observan lo dispuesto en las condiciones establecidas en la(s) siguiente(s) Directiva(s):

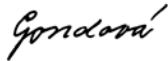
DIRECTIVA DE MÁQUINAS 2006/42/CE

y cumplen con las siguientes normas:

EN-ISO 12100:2010,

EN-ISO 4413:2010.

Houten, Países Bajos, Noviembre de 2021



Sra. Andrea Gondová
Jefa de calidad y cumplimiento





Recomendaciones de seguridad

Como las altas presiones/fuerzas constituyen un riesgo potencial para la seguridad, las siguientes instrucciones deben ser consideradas:

- Los equipos sólo deberían ser manipulados por personal entrenado.
- Siga siempre las instrucciones de funcionamiento.
- Compruebe cuidadosamente la tuerca hidráulica y todos los accesorios antes de usarlos. No use nunca componentes dañados, ni siquiera ligeramente dañados.
- Asegúrese de que todo el aire ha sido eliminado del sistema hidráulico antes de poner el equipo bajo presión.
- No use la tuerca hidráulica para trabajos que no sean de montaje y desmontaje de rodamientos.
- Use siempre un manómetro.
- Téngase siempre en cuenta que la pieza de trabajo/herramienta puede salir súbitamente proyectada al estar sometida a alta presión (use una tuerca tope o de retención).
- No supere el máximo desplazamiento permitido del pistón.
- Use guantes protectores.
- No modifique nunca el equipo.
- Use sólo recambios y piezas originales.
- Use sólo aceites hidráulicos recomendados y limpios (por ejemplo, SKF LHM 300, LHDF 900 o similar).
- Se debe elevar las tuercas y manejarlas según las prácticas de seguridad laboral y las normativas locales.
- Los cables de acero de elevación no deberían tocar las tuercas, ya que podrían dañar las roscas.
- Los pernos de armella, si los hubiera, deberán estar correctamente instalados.
- En caso de duda en relación con el uso de la bomba hidráulica, contacte con SKF.

1. Descripción

1.1 Principio de funcionamiento

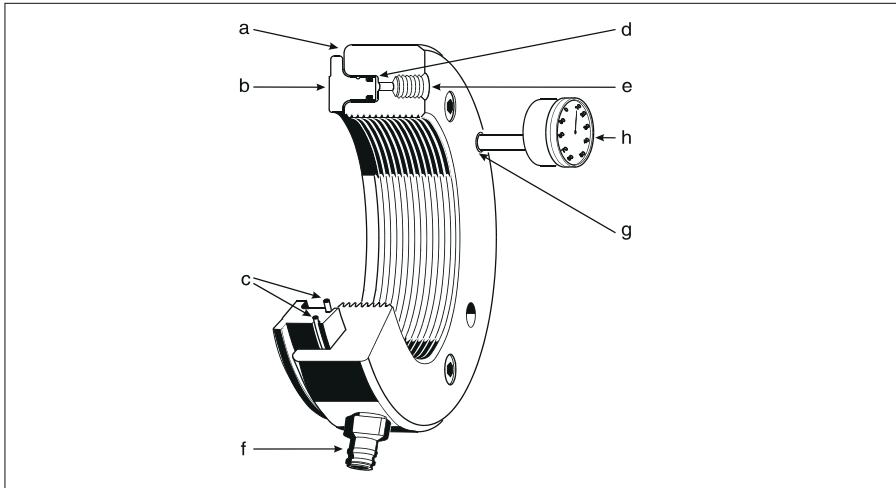


Figura 1. Componentes de la tuerca hidráulica

La tuerca hidráulica ha demostrado ahorrar un considerable esfuerzo a la hora de montar o desmontar rodamientos con agujero cónico. La tuerca consta de dos componentes principales: un anillo de acero (fig. 1a) con rosca interna y una ranura en una de sus caras, y un pistón anular (fig. 1b) que descansa en la ranura. El sellado (fig. 1c) entre ambas piezas se realiza con dos juntas tóricas. Cuando se bombea aceite al interior de la cámara de presión (fig. 1d), el pistón es empujado normalmente con fuerza suficiente para montar y desmontar los rodamientos. El anillo exterior está provisto de un orificio sin rosca (fig. 1g) para montar un comparador (fig. 1h). La punta del comparador apoyará sobre el rebordo del pistón para indicar el desplazamiento axial.

(Nota: La distancia de calado se puede utilizar para determinar el montaje correcto; consulte en skf.com/mount o descargue el Programa para el método de calado de rodamientos SKF Drive-up ingresando en skf.com. Alternativamente, descargue la aplicación del método SKF Drive-up en App Store® o en Google Play™).

El anillo de acero presenta dos orificios roscados para el acoplamiento del tubo de la bomba: uno en la cara (fig. 1e) y el otro en el perímetro (fig. 1f). El orificio no utilizado debe cerrarse con un tapón esférico, suministrado con la tuerca. El orificio utilizado para la conexión del tubo debe estar provisto de un manguito 729832 A, incluido con la tuerca hidráulica. También se incluyen como accesorios estándar un juego de juntas tóricas de repuesto, un kit de mantenimiento y una barra para apretar la tuerca.

1.2 Capacidad de carga

Las tuercas hidráulicas SKF han sido diseñadas para resistir la presión que se produce normalmente al montar o desmontar los cojinetes de rodillos.

La máxima presión de aceite con desplazamiento permitido del pistón aplicable a una tuerca hidráulica de la serie HMV es la siguiente:

HMV 10 - 60	80 MPa (11 600 psi)
HMV 62 - 100	40 MPa (5 800 psi)
HMV 102 - 200	25 MPa (3 600 psi)

2. Instrucciones de utilización

2.1 Cómo colocar la tuerca

Para un montaje sencillo, especialmente en el caso de tuercas grandes, es importante que la tuerca esté correctamente centrada sobre la rosca correspondiente antes de girarla. Las tuercas grandes deben estar apoyadas durante la instalación. Una forma de hacer esto es utilizar una herramienta de montaje especial, similar a la que aparece en la figura 2.

Cuando monte el cojinete sobre un manguito, asegúrese de que el manguito esté recto, es decir, con la rosca alineada en la ranura del manguito. Se recomienda utilizar siempre un lubricante para roscas antes de enroscar la tuerca.

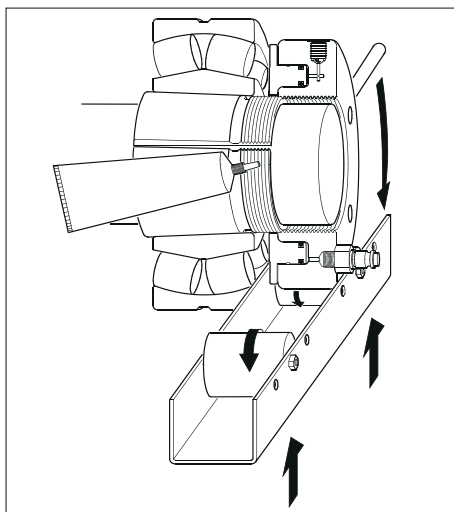


Figura 2. Apoyo de las tuercas hidráulicas grandes

Para enroscar la tuerca en el eje o manguito, utilice la barra suministrada. Esta se introduce en uno de los cuatro orificios sin rosca del perímetro exterior o en uno de los dos orificios del lateral.

Las tuercas de tamaño HMV(C) 94E y superior permiten la instalación de dos cáncamos (DIN 580). Se puede utilizar uno o los cáncamos, si están correctamente instalados, para levantar la tuerca de forma segura. El tamaño de los cáncamos se indica en la siguiente tabla:

Tamaño de la tuerca HMV(C) ..E	Tamaño de la rosca del cáncamo (DIN 580)
94 - 130	M10
134 - 160	M12
170 - 200	M16

Para facilitar el montaje de las tuercas de tamaño HMV(C) 94E y superior, el perímetro de la tuerca lleva marcada una flecha que indica la posición del inicio de la rosca.

2.2 Cómo generar la presión

SKF fabrica una completa gama de bombas como complemento para su amplia gama de tuercas HMV(C)..E.

Se recomiendan las siguientes bombas para los distintos tamaños de las tuercas:

HMV(C) 10E - HMV(C) 54E	729124/TMJL 50/TMJL 100/728619E
HMV(C) 56E - HMV(C) 92E	TMJL 50/TMJL 100/728619E
HMV(C) 94E - HMV(C) 200E	TMJL 50/728619E

Si se utiliza el Método del calado axial SKF, se recomiendan las siguientes bombas:

HMV(C) 10E ... 54E	729124 DU/TMJL 50DU/TMJL 100DU
HMV(C) 56E ... 92E	TMJL 50DU/TMJL 100DU
HMV(C) 94E ... 200E	TMJL 50DU

Nota:

Todas las bombas DU se entregan con un manómetro digital THGD 100 (0 - 100 MPa). Como fluido hidráulico debe utilizarse un aceite con una viscosidad aproximada de 300 mm²/s a la temperatura de funcionamiento, por ejemplo el fluido de montaje LHMf 300 de SKF. Cuando conecte la bomba, asegúrese de haber purgado todo el aire del circuito. Esto se puede hacer abriendo el tapón esférico cuando éste se encuentre en el punto más elevado y bombeando aceite hasta que salga sin burbujas. A continuación se aprieta el tapón esférico, y la tuerca ya está lista para su uso.

2.3 Montaje de rodamientos

Enrosque la tuerca con cuidado en una sección roscada del eje o el manguito hasta tocar el aro interior del rodamiento (fig. 3, 4), el manguito de desmontaje (fig. 5) o una tuerca/placa de apoyo especial (fig. 6). Es importante que esté acoplada la mayor parte posible de la rosca de la tuerca hidráulica y nunca menos del 80 %. Si esto no es posible, será necesario un anillo auxiliar para apoyar la tuerca. A continuación, retraiga totalmente el pistón introduciéndolo en la tuerca.

Montaje



*Figura 3.
Tuerca HMV
para colocar el
rodamiento sobre un
asiento cónico*



*Figura 4.
Tuerca HMV
para colocar el
rodamiento sobre
un manguito de
montaje*



*Figura 5.
Tuerca HMV
enroscada en el eje
para la colocación
de un manguito de
desmontaje*



*Figura 6.
Tuerca HMV y tuerca
de retención especial
para la colocación
de un manguito de
desmontaje*

Para suministrar aceite a presión a la tuerca se utiliza una bomba. El recorrido permitido (desplazamiento axial) ha sido elegido para que se puedan montar todos los rodamientos con agujero cónico de 1:12 ó 1:30 en una sola operación. No debe superarse el desplazamiento permitido del pistón, indicado por una ranura en el exterior del pistón. Una vez terminado el montaje, será necesario abrir la válvula de retorno de la bomba para que el aceite a presión salga de la tuerca. Para vaciar totalmente la tuerca, el pistón debe regresar a su posición original. La forma más sencilla de conseguirlo es seguir enroscando la tuerca en el eje o manguito, de manera que el pistón se retraiga. Esto hará que el aceite regrese a la bomba.

2.4 Desmontaje de rodamientos

Para desmontar los rodamientos de los manguitos desmontaje o montaje, enrosque la tuerca hidráulica en la rosca del manguito hasta que descansa sobre el aro interior del rodamiento (fig. 7) o sobre un anillo de apoyo especial (fig. 8). Al desplazar el pistón, el manguito saldrá del agujero del rodamiento, o bien el rodamiento saldrá del manguito de montaje.

Desmontaje



Figura 7.
Tuerca HMV utilizada para liberar un manguito de desmontaje



Figura 8.
Tuerca HMV y anillo de retención en posición para soltar un manguito de montaje

2.5 Método del Calado Axial SKF para el montaje de rodamientos con agujero cónico

Tradicionalmente se medía la reducción del juego radial interno al montar rodamientos con agujero cónico. La precisión de este método depende en gran medida de la habilidad del técnico a la hora de utilizar las galgas para la medición de la reducción de juego. El Método del Calado Axial SKF mejora considerablemente la fiabilidad y sencillez de la instalación de rodamientos con agujero cónico y se puede utilizar para rodamientos de rodillos a rótula SKF, CARB® SKF y algunos rodamientos de bolas a rótula SKF. Para poder utilizar este método, necesitará una bomba con un manómetro digital de gran precisión y un comparador (fig. 9). Las bombas con el sufijo DU llevan un manómetro digital con un rango de 0-100 MPa.

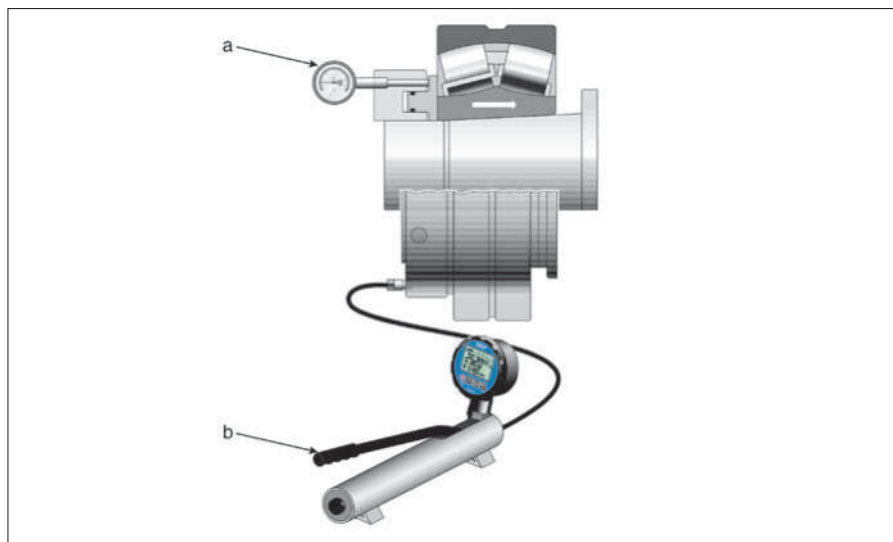


Figura 9. Comparador y bomba hidráulica

Comparadores (fig. 9a)

Calibrado en milímetros TMCD 10R / TMCD 5P	TMCD 10R / TMCD 5P
Calibrado en pulgadas TMCD 1/2R	TMCD 1/2R

Bombas hidráulicas con manómetro digital (fig. 9b)

0-100 MPa

Tamaño máximo de la tuerca	HMV (C) 54E	HMV (C) 92E	HMV (C) 200E
Référence de la pompe	729124 DU	TMJL 100DU	TMJL 50DU

Procedimiento de montaje paso a paso:

Paso 1

Compruebe que el tamaño del rodamiento sea compatible con el tamaño de la tuerca HMV(C) E. Por ejemplo, para el rodamiento 23936 CCK/W33 montado directamente sobre un eje, utilice la HMV(C) 36E. De lo contrario, será necesario ajustar la presión correspondiente a la posición inicial.

Paso 2

Determine si existe una o dos superficies deslizantes durante el montaje. Véanse las figuras 10 - 13.

Paso 3

Levante el cojinete hasta la posición inicial aplicando la presión hidráulica correcta a la

tuerca HMV(C) E. Véase la figura 14. También puede enroscar directamente el manómetro digital SKF en la tuerca hidráulica. Cale el rodamiento en el cono la distancia necesaria. Utilice un comparador para vigilar el calado axial. La presión hidráulica inicial (MPa/psi) y el calado axial (mm) se pueden encontrar en skf.com/mount o descargando el Programa para PC del método de calado de rodamientos SKF Drive-up en skf.com. Alternativamente, descargue la aplicación del método SKF Drive-up en App Store o en Google Play.

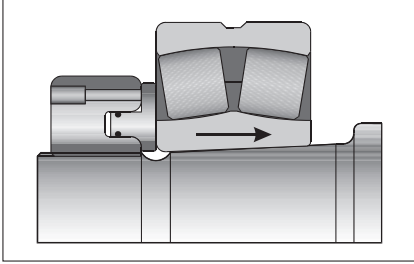


Figura 10. Una superficie deslizante

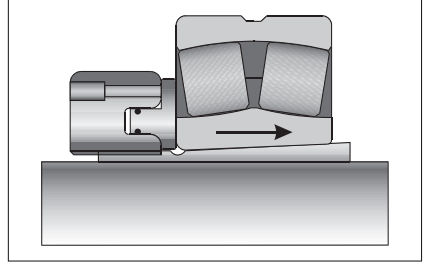


Figura 11. Una superficie deslizante

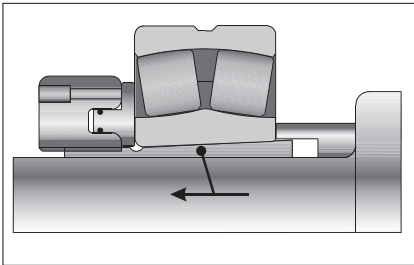


Figura 12. Dos superficies deslizantes

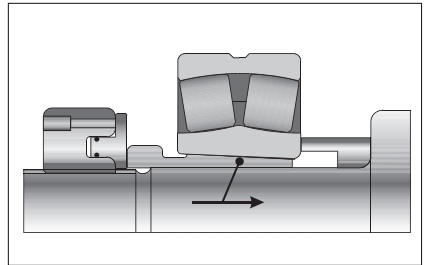


Figura 13. Dos superficies deslizantes

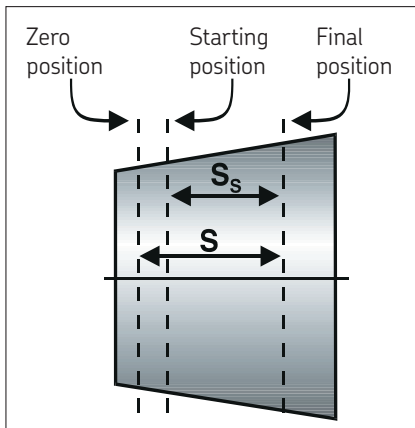


Figura 14. Posición del rodamiento



3. Mantimiento

Cuando la tuerca no se esté utilizando, debe protegerse de la oxidación, y los orificios de conexión de la manguera deben taparse para evitar la entrada de suciedad.

3.1 En caso de fuga

Si el aceite de la tuerca hidráulica se sale al accionar el pistón, esto suele deberse a que la junta está rota o dañada y debe ser sustituida. Para ello es necesario sacar el pistón del anillo. Con el fin de facilitar esta operación, existen tres orificios auxiliares con tapones de cierre en la cara del anillo.

El pistón se puede sacar del anillo (fig. 15) con ayuda de los pasadores roscados suministrados con la tuerca. Seguidamente, retire las juntas tóricas, limpie las ranuras y coloque las juntas tóricas nuevas en su posición.

Si es necesario, puede utilizar grasa para mantener las juntas tóricas nuevas en la posición correcta durante el montaje. Se incluye un juego de juntas tóricas de repuesto con la tuerca. Puede solicitar juntas tóricas de repuesto adicionales a SKF.

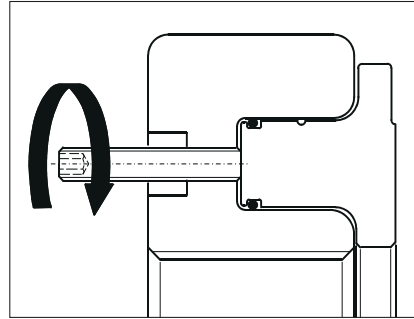


Figura 15. Expulsión del pistón fuera del anillo

3.2 Piezas de repuesto

Descripción	Designación
Juntas tóricas	Designación de la tuerca seguida de /233983, por ejemplo HMV 10/233983
Tapón esférico	233950
Manguito de conexión rápida	729832 A
Tornillos de nailon para fijar el reloj indicador (provistos en paquetes de 10 piezas)	HMVE M5x10 (tamaño de la tuerca 10...69) HMVE M5x17 (tamaño de la tuerca 70 y mayor)
Kit de mantenimiento (pasadores roscados, anillos de cobre, llaves hexagonales)	HMVM 10/29 (tamaño de la tuerca 10...29) HMVM 30/69 (tamaño de la tuerca 30...69) HMVM 70/200 (tamaño de la tuerca 70...200)

3.3 Accesorios

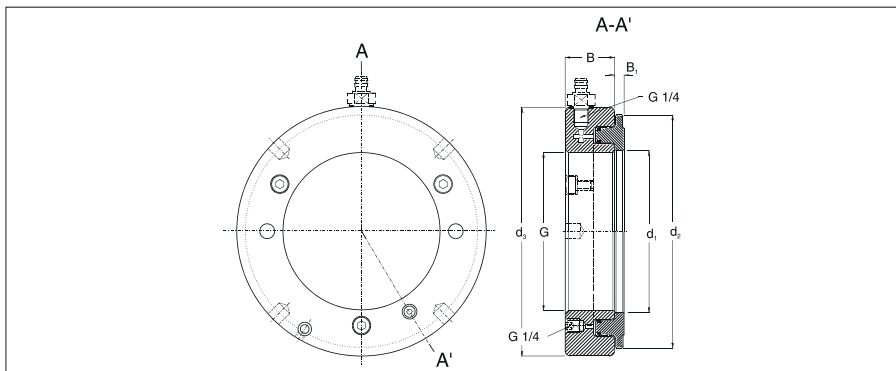
Descripción	Designación
Fluido de montaje (5 litros)	LHMF 300/5
Comparadores	TMCD 5P (comparador paralelo, 0-5 mm) TMCD 10R (comparador de ángulo recto, 0-10 mm) TMCD 1/2R (comparador de ángulo recto, 0 - 1/2 pulgadas)

4. Dimensiones

En las siguientes tablas figuran las dimensiones para las tuercas hidráulicas SKF estándar HMV...E (métricas) y HMVC...E (pulgadas).

Las tuercas también se pueden fabricar en otros tamaños, con roscas especiales o con orificios sin rosca. Se ofrecerá información adicional si así se solicita.

4.1 Tuercas hidráulicas - serie HMV...E



Rosca	
HMV 10E - HMV 40E	ISO 965/III-1980, clase de tolerancia 6H
HMV 41E - HMV 200E	ISO 2901-1977, clase de tolerancia 7H

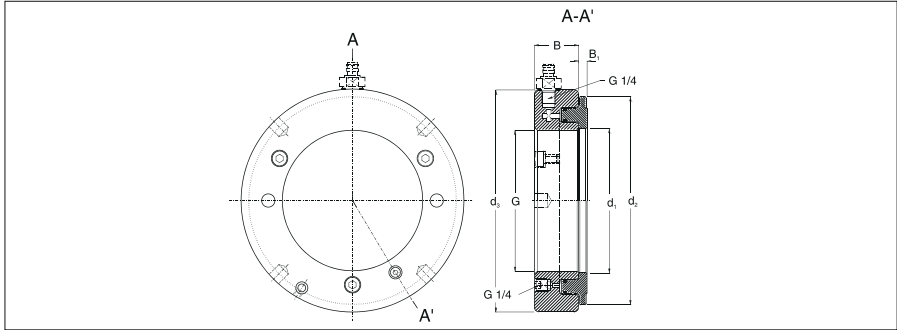
Rosca correspondiente recomendada	
HMV 10E - HMV 40E	ISO 965/III-1980, clase de tolerancia 6g
HMV 41E - HMV 200E	ISO 2901-1977, clase de tolerancia 7e

Designación	Dimensiones						Desplazamiento permitido del pistón	Área del pistón	Peso
	G	d ₁	d ₂	d ₃	B	B ₁			
-	rosca	mm	mm	mm	mm	mm	mm	mm ²	kg
HMV 10E	M 50x1.5	50,5	104	114	38	4	5	2 900	2,70
HMV 11E	M 55x2	55,5	109	120	38	4	5	3 150	2,75
HMV 12E	M 60x2	60,5	115	125	38	5	5	3 300	2,80
HMV 13E	M 65x2	65,5	121	130	38	5	5	3 600	3,00
HMV 14E	M 70x2	70,5	127	135	38	5	5	3 800	3,20
HMV 15E	M 75x2	75,5	132	140	38	5	5	4 000	3,40
HMV 16E	M 80x2	80,5	137	146	38	5	5	4 200	3,70
HMV 17E	M 85x2	85,5	142	150	38	5	5	4 400	3,75
HMV 18E	M 90x2	90,5	147	156	38	5	5	4 700	4,00
HMV 19E	M 95x2	95,5	153	162	38	5	5	4 900	4,30
HMV 20E	M 100x2	100,5	158	166	38	6	5	5 100	4,40
HMV 21E	M 105x2	105,5	163	172	38	6	5	5 300	4,65
HMV 22E	M 110x2	110,5	169	178	38	6	5	5 600	4,95
HMV 23E	M 115x2	115,5	174	182	38	6	5	5 800	5,00
HMV 24E	M 120x2	120,5	179	188	38	6	5	6 000	5,25
HMV 25E	M 125x2	125,5	184	192	38	6	5	6 200	5,35
HMV 26E	M 130x2	130,5	190	198	38	6	5	6 400	5,65
HMV 27E	M 135x2	135,5	195	204	38	6	5	6 600	5,90
HMV 28E	M 140x2	140,5	200	208	38	7	5	6 800	6,00
HMV 29E	M 145x2	145,5	206	214	39	7	5	7 300	6,50
HMV 30E	M 150x2	150,5	211	220	39	7	5	7 500	6,60
HMV 31E	M 155x3	155,5	218	226	39	7	5	8 100	6,95
HMV 32E	M 160x3	160,5	224	232	40	7	6	8 600	7,60
HMV 33E	M 165x3	165,5	229	238	40	7	6	8 900	7,90
HMV 34E	M 170x3	170,5	235	244	41	7	6	9 400	8,40
HMV 36E	M 180x3	180,5	247	256	41	7	6	10 300	9,15
HMV 38E	M 190x3	191	259	270	42	8	7	11 500	10,5
HMV 40E	M 200x3	201	271	282	43	8	8	12 500	11,5
HMV 41E	Tr 205x4	207	276	288	43	8	8	12 800	12,0
HMV 42E	Tr 210x4	212	282	294	44	8	9	13 400	12,5
HMV 43E	Tr 215x4	217	287	300	44	8	9	13 700	13,0
HMV 44E	Tr 220x4	222	293	306	44	8	9	14 400	13,5
HMV 45E	Tr 225x4	227	300	312	45	8	9	15 200	14,5
HMV 46E	Tr 230x4	232	305	318	45	8	9	15 500	14,5
HMV 47E	Tr 235x4	237	311	326	46	8	10	16 200	16,0
HMV 48E	Tr 240x4	242	316	330	46	9	10	16 500	16,0
HMV 50E	Tr 250x4	252	329	342	46	9	10	17 600	17,5
HMV 52E	Tr 260x4	262	341	356	47	9	11	18 800	19,5
HMV 54E	Tr 270x4	272	352	368	48	9	12	19 800	20,5
HMV 56E	Tr 280x4	282	363	380	49	9	12	21 100	22,0
HMV 58E	Tr 290x4	292	375	390	49	9	13	22 400	22,5
HMV 60E	Tr 300x4	302	386	404	51	10	14	23 600	25,5

Designación		Dimensiones				Desplazamiento permitido del pistón		Área del pistón	Peso
	G	d ₁	d ₂	d ₃	B	B ₁			
-	rosca	mm	mm	mm	mm	mm	mm	mm ²	kg
HMV 62E	Tr 310x5	312	397	416	52	10	14	24 900	27,0
HMV 64E	Tr 320x5	322	409	428	53	10	14	26 300	29,5
HMV 66E	Tr 330x5	332	419	438	53	10	14	27 000	30,0
HMV 68E	Tr 340x5	342	430	450	54	10	14	28 400	31,5
HMV 69E	Tr 345x5	347	436	456	54	10	14	29 400	32,5
HMV 70E	Tr 350x5	352	442	464	56	10	14	29 900	35,0
HMV 72E	Tr 360x5	362	455	472	56	10	15	31 300	35,5
HMV 73E	Tr 365x5	367	460	482	57	11	15	31 700	38,5
HMV 74E	Tr 370x5	372	466	486	57	11	16	32 800	39,0
HMV 76E	Tr 380x5	382	476	498	58	11	16	33 500	40,5
HMV 77E	Tr 385x5	387	483	504	58	11	16	34 700	41,0
HMV 80E	Tr 400x5	402	499	522	60	11	17	36 700	45,5
HMV 82E	Tr 410x5	412	510	534	61	11	17	38 300	48,0
HMV 84E	Tr 420x5	422	522	546	61	11	17	40 000	50,0
HMV 86E	Tr 430x5	432	532	556	62	11	17	40 800	52,5
HMV 88E	Tr 440x5	442	543	566	62	12	17	42 500	54,0
HMV 90E	Tr 450x5	452	554	580	64	12	17	44 100	57,5
HMV 92E	Tr 460x5	462	565	590	64	12	17	45 100	60,0
HMV 94E	Tr 470x5	472	576	602	65	12	18	46 900	62,0
HMV 96E	Tr 480x5	482	587	612	65	12	19	48 600	63,0
HMV 98E	Tr 490x5	492	597	624	66	12	19	49 500	66,0
HMV 100E	Tr 500x5	502	609	636	67	12	19	51 500	70,0
HMV 102E	Tr 510x6	512	624	648	68	12	20	53 300	74,0
HMV 104E	Tr 520x6	522	634	658	68	13	20	54 300	75,0
HMV 106E	Tr 530x6	532	645	670	69	13	21	56 200	79,0
HMV 108E	Tr 540x6	542	657	682	69	13	21	58 200	81,0
HMV 110E	Tr 550x6	552	667	693	70	13	21	59 200	84,0
HMV 112E	Tr 560x6	562	678	704	71	13	22	61 200	88,0
HMV 114E	Tr 570x6	572	689	716	72	13	23	63 200	91,0
HMV 116E	Tr 580x6	582	699	726	72	13	23	64 200	94,0
HMV 120E	Tr 600x6	602	721	748	73	13	23	67 300	100
HMV 126E	Tr 630x6	632	754	782	74	14	23	72 900	110
HMV 130E	Tr 650x6	652	775	804	75	14	23	76 200	115
HMV 134E	Tr 670x6	672	796	826	76	14	24	79 500	120
HMV 138E	Tr 690x6	692	819	848	77	14	25	84 200	127
HMV 142E	Tr 710x7	712	840	870	78	15	25	87 700	135
HMV 150E	Tr 750x7	752	883	912	79	15	25	95 200	146
HMV 160E	Tr 800x7	802	936	965	80	16	25	103 900	161
HMV 170E	Tr 850x7	852	990	1 020	83	16	26	114 600	181
HMV 180E	Tr 900x7	902	1 043	1 075	86	17	30	124 100	205
HMV 190E	Tr 950x8	952	1 097	1 126	86	17	30	135 700	218
HMV 200E	Tr 1000x8	1 002	1 150	1 180	88	17	34	145 800	239

4.2 Tuercas hidráulicas - serie HMVC...E (rosca en pulgadas)

Las tuercas HMVC...E se entregan con un manguito de conexión rápida (729832 A) y con un manguito roscado macho G 1/4 y hembra NPT 3/8 (729106/100MPA).



Roscas estándar según las recomendaciones de la Anti-Friction Bearing Manufacturers Association (AFBMA) de los EE.UU.:

HMVC 10-64E

Roscas American National Form clase 3

HMVC 68-190E

Roscas de uso general ACME clase 3 G

	G	Diámetro primitivo	Hilos por pulgada	d ₁	d ₂	d ₃	B	B ₁	Desplazamiento permitido del pistón	Área del pistón	Peso
-	in	in	-	in	in	in	in	in	in	in ²	lb
HMVC 10E	1 967	1 9309	18	2.0	4.1	4.5	1.5	0.16	0.20	4.5	6.0
HMVC 11E	2 157	2 1209	18	2.2	4.3	4.7	1.5	0.16	0.20	4.9	6.1
HMVC 12E	2 360	2 3239	18	2.4	4.5	4.9	1.5	0.20	0.20	5.1	6.2
HMVC 13E	2 548	2 5119	18	2.6	4.8	5.1	1.5	0.20	0.20	5.6	6.6
HMVC 14E	2 751	2 7149	18	2.8	5.0	5.3	1.5	0.20	0.20	5.9	7.1
HMVC 15E	2 933	2 8789	12	3.0	5.2	5.5	1.5	0.20	0.20	6.2	7.5
HMVC 16E	3 137	3 0829	12	3.2	5.4	5.7	1.5	0.20	0.20	6.5	8.2
HMVC 17E	3 340	3 2859	12	3.4	5.6	5.9	1.5	0.20	0.20	6.8	8.3
HMVC 18E	3 527	3 4729	12	3.6	5.8	6.1	1.5	0.20	0.20	7.3	8.8
HMVC 19E	3 730	3 6759	12	3.8	6.0	6.4	1.5	0.20	0.20	7.6	9.5
HMVC 20E	3 918	3 8639	12	4.0	6.2	6.5	1.5	0.24	0.20	7.9	9.7
HMVC 21E	4 122	4 0679	12	4.2	6.4	6.8	1.5	0.24	0.20	8.2	10.3
HMVC 22E	4 325	4 2709	12	4.4	6.7	7.0	1.5	0.24	0.20	8.7	10.9
HMVC 24E	4 716	4 6619	12	4.7	7.0	7.4	1.5	0.24	0.20	9.3	11.6
HMVC 26E	5 106	5 0519	12	5.1	7.5	7.8	1.5	0.24	0.20	9.9	12.5
HMVC 28E	5 497	5 4429	12	5.5	7.9	8.2	1.5	0.28	0.20	10.5	13.2
HMVC 30E	5 888	5 8339	12	5.9	8.3	8.7	1.5	0.28	0.20	11.6	14.6
HMVC 32E	6 284	6 2028	8	6.3	8.8	9.1	1.6	0.28	0.24	13.3	16.8
HMVC 34E	6 659	6 5778	8	6.7	9.3	9.6	1.6	0.28	0.24	14.6	18.5
HMVC 36E	7 066	6 9848	8	7.1	9.7	10.1	1.6	0.28	0.24	16.0	20.2
HMVC 38E	7 472	7 3908	8	7.5	10.2	10.6	1.7	0.31	0.28	17.8	23.1

	G	Diámetro primitivo	Hilos por pulgada	d ₁	d ₂	d ₃	B	B ₁	Desplazamiento permitido del pistón	Área del pistón	Peso
HMVC 40E	7 847	7 7658	8	7.9	10.7	11.1	1.7	0.31	0.31	19.4	25.4
HMVC 44E	8 628	8 5468	8	8.7	11.5	12.0	1.7	0.31	0.35	22.3	29.8
HMVC 48E	9 442	9 3337	6	9.5	12.4	13.0	1.8	0.35	0.39	25.6	35.3
HMVC 52E	10 192	10 0837	6	10.3	13.4	14.0	1.9	0.35	0.43	29.1	41.9
HMVC 54E	10 604	10 4960	6	10.7	13.9	14.5	1.9	0.35	0.47	30.7	45.2
HMVC 56E	11 004	10 8957	6	11.1	14.3	15.0	1.9	0.35	0.47	32.7	48.5
HMVC 60E	11 785	11 6767	6	11.9	15.2	15.9	2.0	0.39	0.55	36.6	56.2
HMVC 64E	12 562	12 4537	6	12.7	16.1	16.9	2.1	0.39	0.55	40.8	65.0
HMVC 68E	13 339	13 2190	5	13.5	16.9	17.7	2.1	0.39	0.55	44.0	69.4
HMVC 72E	14 170	14 0500	5	14.3	17.9	18.6	2.2	0.39	0.59	48.5	78.3
HMVC 76E	14 957	14 8370	5	15.0	18.7	19.6	2.3	0.43	0.63	51.9	89.3
HMVC 80E	15 745	15 6250	5	15.8	19.6	20.6	2.4	0.43	0.67	56.9	100
HMVC 84E	16 532	16 4120	5	16.6	20.6	21.5	2.4	0.43	0.67	62.0	110
HMVC 88E	17 319	17 1990	5	17.4	21.4	22.3	2.4	0.47	0.67	65.9	119
HMVC 92E	18 107	17 9870	5	18.2	22.2	23.3	2.5	0.47	0.67	69.9	132
HMVC 96E	18 894	18 7740	5	19.0	23.1	24.1	2.6	0.47	0.75	75.3	139
HMVC 100E	19 682	19 5620	5	19.8	24.0	25.0	2.6	0.47	0.75	79.8	154
HMVC 106E	20 867	20 7220	4	20.9	25.4	26.4	2.7	0.51	0.83	87.1	174
HMVC 112E	22 048	21 9030	4	22.1	26.7	27.7	2.8	0.51	0.87	94.9	194
HMVC 120E	23 623	23 4780	4	23.7	28.4	29.4	2.9	0.51	0.91	104.3	220
HMVC 126E	24 804	24 6590	4	24.9	29.7	30.8	2.9	0.55	0.91	113.0	243
HMVC 134E	26 379	26 2340	4	26.5	31.3	32.5	3.0	0.55	0.94	123.2	265
HMVC 142E	27 961	27 7740	3	28.0	33.1	34.3	3.1	0.59	0.98	135.9	298
HMVC 150E	29 536	29 3490	3	29.6	34.8	35.9	3.1	0.59	0.98	147.6	322
HMVC 160E	31 504	31 3170	3	31.6	36.9	38.0	3.1	0.63	0.98	161.0	355
HMVC 170E	33 473	33 2860	3	33.5	39.0	40.2	3.3	0.63	1.02	177.6	399
HMVC 180E	35 441	35 2540	3	35.5	41.1	42.3	3.4	0.67	1.18	192.4	452
HMVC 190E	37 410	37 2230	3	37.5	43.2	44.3	3.4	0.67	1.18	210.3	481

5. Almacenamiento

Lugar seco sin polvo, almacenamiento en una sala seca y bien ventilada

- Vida útil máx. 24 meses
- Humedad relativa < 65 %
- Temperatura de almacenamiento: +10 ... +40 °C
- Sin luz solar directa ni radiación UV
- Protección contra fuentes de calor o frío cercanas

6. Transporte

El transporte de los productos se realiza en el contenedor del fabricante por todos los medios de transporte a cualquier distancia.

Los productos deben ser embalados en contenedores y otros componentes y materiales que protejan el producto de daños y pérdidas, con el fin de garantizar su seguridad durante el transporte, la recarga y el almacenamiento.

Table des matières

Déclaration de conformité UE	52
Recommandations de sécurité	53
1. Description	54
1.1 Fonctionnement.....	54
1.2 Capacité de levage de charges.....	54
2. Instructions de fonctionnement	55
2.1 Comment appliquer l'écrou	55
2.2 Comment produire la pression	56
2.3 Montage des roulements	56
2.4 Démontage des roulements	57
2.5 Méthode de l'enfoncement axial SKF pour monter les roulements avec un alésage conique.....	57
3. Entretien	60
3.1 En cas de fuites.....	60
3.2 Pièces de rechange	60
3.3 Accessoires	61
4. Dimensions	61
4.1 Écrous hydrauliques - Séries HMV....E.....	61
4.2 Écrous hydrauliques - Séries HMVC....E (filetages en pouces)	64
5. Stockage	66
6. Transport	66

Traduction extraite du mode d'emploi d'origine

Déclaration de conformité UE HMV / HMVC

Nous, SKF MPT, Meidoornkade 14, 3992 AE Houten, Pays-Bas déclarons sous notre responsabilité que les produits décrits dans ces instructions d'utilisation sont conformes aux conditions de la ou des directive(s) :

DIRECTIVE MACHINES 2006/42/EC

et sont en conformité avec les normes suivantes :

EN-ISO 12100:2010,

EN-ISO 4413:2010.

Houten, Pays-Bas, Novembre 2021



Mme Andrea Gondová

Responsable Qualité et Conformité





Recommandations de sécurité

Les hautes pressions et/ou les efforts constituant un danger potentiel, les instructions suivantes doivent être prises en considération:

- L'équipement devra être utilisé par une personne expérimentée.
- Toujours suivre les instructions d'utilisation.
- Vérifier soigneusement l'écrou hydraulique et tous les accessoires avant utilisation. Ne jamais utiliser des composants endommagés, même légèrement.
- S'assurer que l'air a été totalement évacué du système hydraulique, avant de mettre l'équipement sous pression.
- Ne pas utiliser l'écrou hydraulique pour d'autres applications que le montage/démontage des roulements.
- Utiliser toujours un manomètre.
- Afin d'éviter l'expulsion totale de la pièce à démonter il faut toujours placer une pièce en butée (un écrou par exemple). Ne jamais utiliser l'équipement au-dessus de la pression maximale indiquée.
- Ne pas dépasser la course maximale autorisée du piston.
- Utiliser des lunettes de protection.
- Ne jamais faire de modifications sur la pompe.
- Utiliser seulement des pièces d'origine.
- Utiliser seulement des huiles hydrauliques propres et recommandées (par exemple: SKF LHMF 300, LHDF 900 ou équivalent)
- Les écrous hydrauliques doivent être manipulés et transportés conformément aux pratiques et règles de sécurité de travail.
- Les anneaux de levage standard ne doivent en aucun cas être directement montés sur l'écrou, car ils pourraient endommager le filetage de l'écrou.
- Des boulon(s) à œillet doivent être installés correctement lorsqu'ils sont fournis.
- Pour toute incertitude quant à l'utilisation de l'écrou hydraulique veuillez consulter SKF.

1. Description

1.1 Fonctionnement

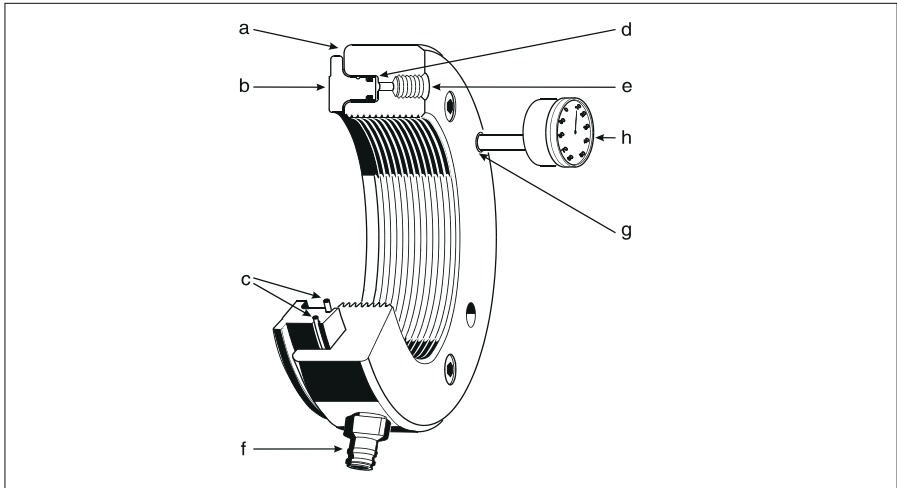


Figure 1. Parties de l'écrou hydraulique

L'écrou hydraulique a prouvé qu'il permettait une économie d'effort considérable pour le montage ou le démontage des roulements à alésage conique. Il est constitué de deux parties principales : une bague en acier (fig. 1a) avec un filetage interne et une rainure sur une face latérale, ainsi qu'un piston annulaire (fig. 1b) qui se déplace dans la rainure. L'étanchéité (fig. 1c) entre les deux parties est assurée par deux joints toriques. Lorsque l'huile est injectée dans la chambre de pression (fig. 1d), le piston se déplace avec une force qui est en général suffisante pour le montage et le démontage des roulements. La bague extérieure est munie d'un orifice non fileté (fig. 1g) qui permet de fixer un comparateur à cadran (fig. 1h). La tige de mesure de l'indicateur reposera contre l'épaulement du piston pour signaler la course axiale.

(Remarque : La distance de course peut être utilisée pour déterminer si le montage a été réalisé correctement ; consultez le site skf.com/mount ou téléchargez la méthode par enfonceur axial SKF sur le site skf.com. Vous pouvez également télécharger l'app de cette méthode sur l'App Store® ou sur Google Play™).

Deux orifices filetés sont disposés dans la bague en acier pour fixer la pompe : l'un sur la face latérale (fig. 1e) et l'autre sur la génératrice extérieure (fig. 1f). L'orifice non utilisé doit être obturé à l'aide d'un bouchon, fourni avec l'écrou.

L'orifice utilisé pour le raccordement du tuyau doit être muni d'un mamelon 729832 A, fourni avec l'écrou hydraulique. Un jeu de joints toriques de rechange, un kit de maintenance et une broche de serrage de l'écrou sont fournis comme accessoires standard.

1.2 Capacité de levage de charges

Les écrous hydrauliques SKF sont conçus pour supporter la pression normale lors du montage et démontage des roulements.

La pression d'huile maximum avec un déplacement du piston permis qui peut être appliquée sur un écrou hydraulique série HVM est la suivante:

HMV 10 - 60	80 MPa
HMV 62 - 100	40 MPa
HMV 102 - 200	25 MPa

2. Instructions de fonctionnement

2.1 Comment appliquer l'écrou

Pour un montage facile, spécialement pour les écrous plus grands, il est important de bien centrer l'écrou sur le filet correspondant avant de le faire tourner. Les grands écrous doivent être soutenus pendant l'installation. Pour ce faire, utilisez un outil de montage spécial similaire à celui illustré dans le schéma 2.

Lorsque le roulement est monté sur un manchon, assurez-vous que le manchon est bien droit, c'est à dire que son filetage est aligné sur la partie rainurée du manchon. Il est conseillé de toujours lubrifier le filetage avant d'installer l'écrou sur le filet correspondant.

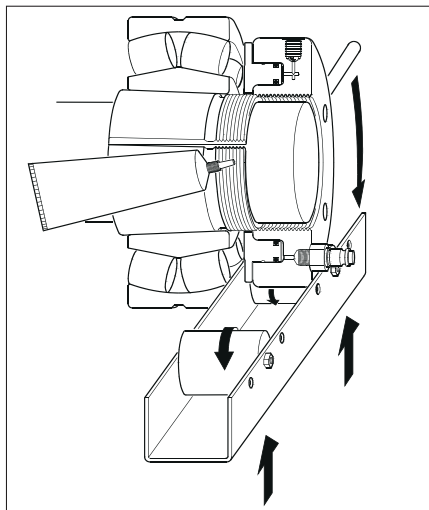


Figure 2. Support d'un grand écrou hydraulique.

Pour fileter l'écrou sur l'axe ou le manchon, utilisez la broche fournie. Elle est insérée dans l'un des quatre orifices non filetés sur la surface cylindrique extérieure ou sur l'un des deux trous de la surface latérale.

Les écrous de taille HMV(C)94E et plus grands peuvent accueillir deux boulons à œil (DIN 580). Un ou les deux boulons à œil, lorsqu'ils sont correctement placés, peuvent être utilisés pour soulever l'écrou en toute sécurité. La taille des boulons à œil est illustrée dans le tableau suivant:

HMV(C) ..taille de l'écrou	Taille du Filetage du Boulon à Œil (DIN 580)
94 - 130	M10
134 - 160	M12
170 - 200	M16

Pour faciliter le montage des écrous de taille HMV(C) 94E et supérieurs, une flèche est indiquée sur la circonférence de l'écrou pour indiquer la position du premier filet.

2.2 Comment produire la pression

SKF commercialise une vaste gamme de pompes pour compléter la gamme complète d'écrous HMV(C) E.

Les pompes suivantes sont recommandées pour les différentes tailles d'écrous :

HMV(C) 10E - HMV(C) 54E	729124/TMJL 50/TMJL 100/728619E
HMV(C) 56E - HMV(C) 92E	TMJL 50/TMJL 100/728619E
HMV(C) 94E - HMV(C) 200E	TMJL 50/728619E

Lorsque vous utilisez la Méthode de l'enfoncement axial de SKF, les pompes suivantes sont recommandées :

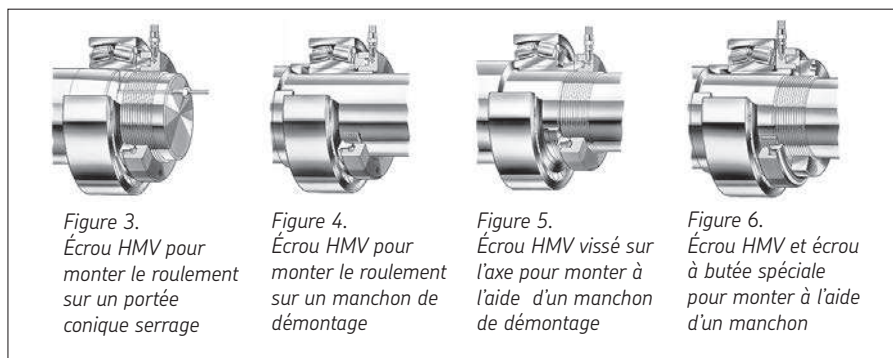
HMV(C) 10E ... 54E	729124 DU/TMJL 50DU/TMJL 100DU
HMV(C) 56E ... 92E	TMJL 50DU/TMJL 100DU
HMV(C) 94E ... 200E	TMJL 50DU

Remarque: Toutes les pompes DU sont fournies avec le manomètre numérique THGD 100 (0 - 100 MPa). Vous devrez utiliser comme moyen de pression de l'huile avec une viscosité d'environ 300 mm²/s à la température de travail, du liquide de montage LHMf 300 de SKF par exemple. Lors du branchement de la pompe, vérifiez que tout l'air a bien été purgé du circuit hydraulique. Pour ce faire, ouvrir au maximum et pomper jusqu'à ce que de l'huile sans air sorte. Serrez alors ; l'écrou peut à présent être utilisé.

2.3 Montage des roulements

L'écrou doit être soigneusement vissé sur une section filetée de l'arbre ou du manchon jusqu'à ce qu'il bute sur la bague intérieure du roulement (fig. 3, 4), le manchon de démontage (fig. 5) ou une plaque/un écrou de support spécial (fig. 6). Il est important que la plus grande partie possible du filetage de l'écrou hydraulique soit engagé (en tout cas pas moins de 80 %). Le piston peut alors être totalement rétracté dans l'écrou.

Montage



Une pompe est utilisée pour fournir de l'huile sous pression à l'écrou. La course admissible (déplacement axial) a été choisie pour permettre à tous les roulements avec des alésages coniques au 1:12 ou 1:30 d'être montés en une seule opération. Le déplacement permis du piston, indiqué par une rainure sur l'extérieur du piston, ne doit pas être dépassé. Lorsque le montage est terminé, la vanne de retour de la pompe doit être ouverte pour que l'huile sous pression puisse sortir de l'écrou.

Pour pomper complètement l'écrou, le piston doit être remis dans sa position d'origine. Pour ce faire, visser l'écrou plus loin que le filetage de l'axe ou du manchon, pour que le piston se rétracte. Ceci provoque le retour de l'huile dans la pompe.

2.4 Démontage des roulements

Lors du démontage des roulements montés sur des manchons de démontage ou de serrage, l'écrou hydraulique doit être vissé sur le filet du manchon jusqu'à ce qu'il entre en contact avec la bague intérieure du roulement (fig. 7) ou sur une bague de support spéciale. En déplaçant le piston, le manchon doit être extrait de l'alésage du roulement ou le roulement doit être désolidarisé du manchon de serrage.

Démontage



Figure 7.
HMV non utilisé pour retirer un manchon de démontage



Figure 8.
Écrou HMV et bague de butée en position pour démonter un manchon de serrage

2.5 Méthode de l'enfoncement axial SKF pour monter les roulements avec un alésage conique

La réduction du jeu interne radial est généralement mesurée lors du montage de roulements avec un alésage conique. La précision de cette méthode dépend en grande mesure de l'habileté du technicien à utiliser les jeux de cales pour mesurer la réduction du jeu. La Méthode de l'enfoncement axial SKF améliore considérablement la fiabilité et la facilité dans le montage des roulements avec alésage conique et peut être utilisée pour les roulements à rouleaux SKF, SKF CARB®, et certains roulements à rotules sur billes SKF. Pour pouvoir utiliser la méthode, vous devrez utiliser une pompe avec un manomètre numérique très précis et un comparateur à cadran (fig. 9). Les pompes avec le suffixe DU sont fournies avec un manomètre numérique mesurant de 0 - 100 MPa.

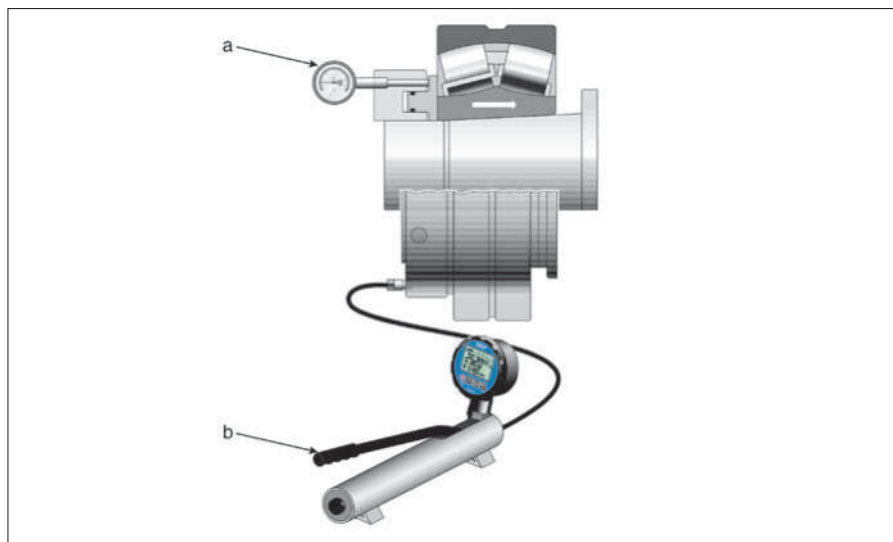


Figure 9. Comparateur à cadran et pompe hydraulique

Comparateurs à cadran (fig. 9a)

Calibrés en millimètres	TMCD 10R / TMCD 5P
Calibrés en pouces	TMCD 1/2R

Pompes hydrauliques à manomètre numérique (fig. 9b)

0-100 MPa

Taille maximale de l'écrou	HMV (C) 54E	HMV (C) 92E	HMV (C) 200E
Référence de la pompe	729124 DU	TMJL 100DU	TMJL 50DU

Procédure de montage pas à pas

Etape 1

Vérifiez que la taille du roulement est compatible avec la taille de l'écrou HMV(C) E. A titre d'exemple, utiliser l'écrou HMV(C) 36E pour monter le roulement 23936 CCK/W33 directement sur une portée conique d'arbre. Dans le cas contraire, la pression correspondant à la position de départ doit être réglée.

Etape 2

Déterminez si une ou deux surfaces glissent pendant le montage. Voir figures 10 - 13.

Etape 3

Faites monter le roulement vers la position de départ en appliquant la pression hydraulique correcte vers l'écrou HMV(C) E. Voir figure 14.

Il est aussi possible de visser directement le manomètre numérique SKF sur l'écrou hydraulique. Faites monter le roulement sur la pente à la distance requise. Utilisez un comparateur à écran pour contrôler l'enfoncement axial. Les informations sur la pression hydraulique initiale (MPa/psi) et sur l'enfoncement axial (mm) sont disponibles sur le site skf.com/mount ou en téléchargeant la méthode par enfoncement axial/ PC Program sur le site skf.com. Vous pouvez également télécharger l'app de cette méthode sur l'App Store ou sur Google Play.

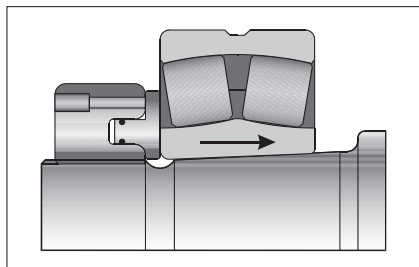


Figure 10. Une surface de glissement

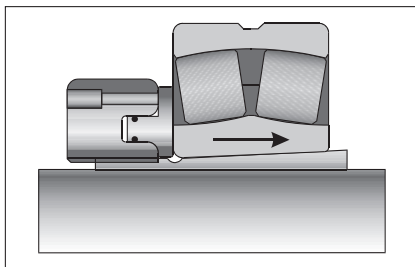


Figure 11. Une surface de glissement

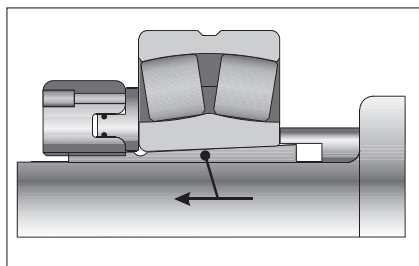


Figure 12. Deux surfaces de glissement

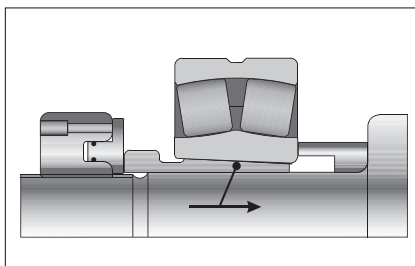


Figure 13. Deux surfaces de glissement

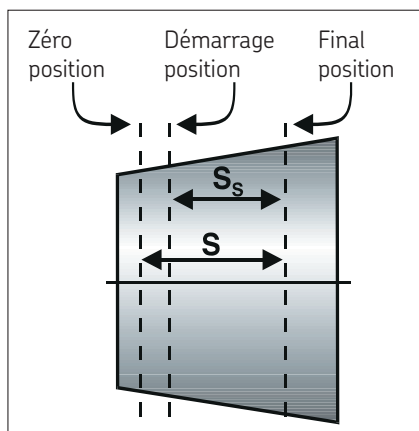


Figure 14. Position de roulement



3. Entretien

Lorsque l'écrou n'est pas utilisé, protégez-le contre la corrosion, et bouchez les orifices de raccord des tuyaux pour empêcher la poussière de pénétrer à l'intérieur.

3.1 En cas de fuites

Si de l'huile s'échappe de l'écrou hydraulique lorsque le piston est mis en fonctionnement, ceci signifie généralement que le joint est tordu ou endommagé et qu'il doit être remplacé.

Pour ce faire, extrayez le piston de la bague. Pour que cette opération soit plus facile, trois orifices auxiliaires avec des raccords de fermeture sont installés sur toute la face de la bague. À l'aide des goupilles filetées fournies avec l'écrou, extrayez le piston de la bague (fig. 15). Les joints toriques peuvent alors être enlevés, vous pouvez nettoyer les rainures et remettre de nouveaux joints toriques en place.

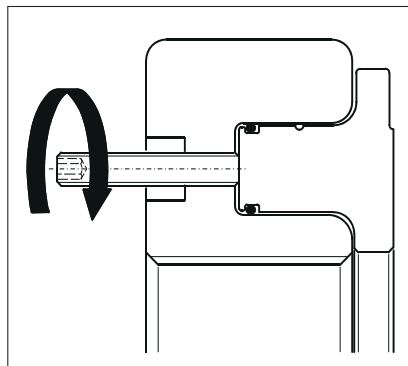


Figure 15. Pushing the piston out of the ring

Vous pouvez au besoin utiliser de la graisse pour maintenir les nouveaux joints toriques en place pendant l'opération de remplacement. Un jeu de joints toriques de rechange est aussi fourni avec l'écrou. Des bagues de rechange supplémentaires peuvent au besoin vous être fournies par SKF.

3.2 Pièces de rechange

Description	Désignation
Joints toriques	Référence de l'écrou suivie de /233983, par exemple HMV 10/233983
Raccord cylindrique	233950
Raccord de connexion rapide	729832 A
Vis nylon pour fixer le comparateur à cadran (fournies en packs de 10 pièces)	HMVE M5x10 (taille d'écrou de 10...69) HMVE M5x17 (taille d'écrou de 70 et plus)
Kit d'entretien (goupilles filetées, bagues en cuivre, clés hexagonales)	HMVM 10/29 (nut size 10...29) HMVM 30/69 (nut size 30...69) HMVM 70/200 (nut size 70...200)

3.3 Accessoires

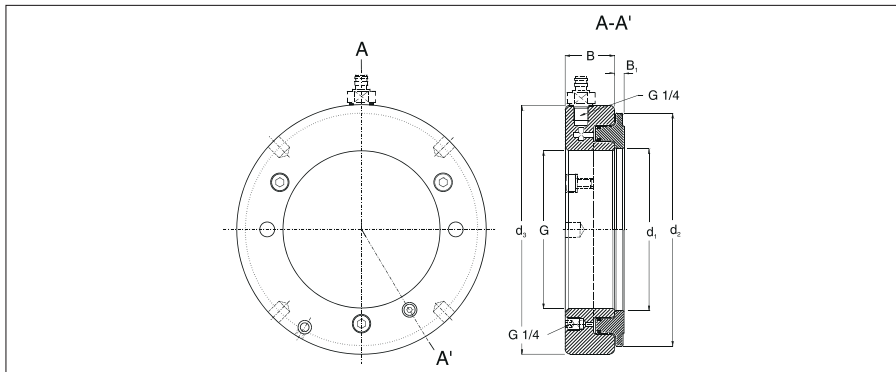
Description	Désignation
Liquide de montage (5 litres)	LHMF 300/5
Comparateurs à cadran	TMCD 5P (comparateur parallèle, 0 - 5 mm) TMCD 10R (comparateur à angle droit, 0 - 10 mm) TMCD 1/2R (comparateur à angle droit, 0 - 1/2 in)

4. Dimensions

Les dimensions apparaissant dans les tableaux suivants correspondent aux écrous hydrauliques standard de SKF HMV...E (métriques) et HMVC...E (pouces).

Les écrous peuvent avoir d'autres tailles, avec des filetages spéciaux, ou sans alésages non filetés. Vous pouvez obtenir des informations supplémentaires sur simple demande.

4.1 Écrous hydrauliques - Séries HMV...E



Filetages

HMV 10E - HMV 40E	ISO 965/III-1980, classe de tolérance 6H
HMV 41E - HMV 200E	ISO 2901-1977, classe de tolérance 7H

Filetages correspondants recommandés

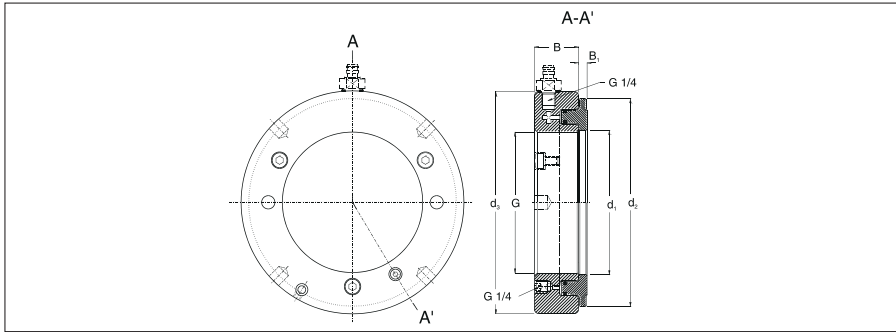
HMV 10E - HMV 40E	ISO 965/III-1980, classe de tolérance 6g
HMV 41E - HMV 200E	ISO 2901-1977, classe de tolérance 7e

Désignation	Dimensions						Déplacement du piston permis	Surface du piston	Poids
	G	d ₁	d ₂	d ₃	B	B ₁			
-	filetage	mm	mm	mm	mm	mm	mm	mm ²	kg
HMV 10E	M 50x1.5	50,5	104	114	38	4	5	2 900	2,70
HMV 11E	M 55x2	55,5	109	120	38	4	5	3 150	2,75
HMV 12E	M 60x2	60,5	115	125	38	5	5	3 300	2,80
HMV 13E	M 65x2	65,5	121	130	38	5	5	3 600	3,00
HMV 14E	M 70x2	70,5	127	135	38	5	5	3 800	3,20
HMV 15E	M 75x2	75,5	132	140	38	5	5	4 000	3,40
HMV 16E	M 80x2	80,5	137	146	38	5	5	4 200	3,70
HMV 17E	M 85x2	85,5	142	150	38	5	5	4 400	3,75
HMV 18E	M 90x2	90,5	147	156	38	5	5	4 700	4,00
HMV 19E	M 95x2	95,5	153	162	38	5	5	4 900	4,30
HMV 20E	M 100x2	100,5	158	166	38	6	5	5 100	4,40
HMV 21E	M 105x2	105,5	163	172	38	6	5	5 300	4,65
HMV 22E	M 110x2	110,5	169	178	38	6	5	5 600	4,95
HMV 23E	M 115x2	115,5	174	182	38	6	5	5 800	5,00
HMV 24E	M 120x2	120,5	179	188	38	6	5	6 000	5,25
HMV 25E	M 125x2	125,5	184	192	38	6	5	6 200	5,35
HMV 26E	M 130x2	130,5	190	198	38	6	5	6 400	5,65
HMV 27E	M 135x2	135,5	195	204	38	6	5	6 600	5,90
HMV 28E	M 140x2	140,5	200	208	38	7	5	6 800	6,00
HMV 29E	M 145x2	145,5	206	214	39	7	5	7 300	6,50
HMV 30E	M 150x2	150,5	211	220	39	7	5	7 500	6,60
HMV 31E	M 155x3	155,5	218	226	39	7	5	8 100	6,95
HMV 32E	M 160x3	160,5	224	232	40	7	6	8 600	7,60
HMV 33E	M 165x3	165,5	229	238	40	7	6	8 900	7,90
HMV 34E	M 170x3	170,5	235	244	41	7	6	9 400	8,40
HMV 36E	M 180x3	180,5	247	256	41	7	6	10 300	9,15
HMV 38E	M 190x3	191	259	270	42	8	7	11 500	10,5
HMV 40E	M 200x3	201	271	282	43	8	8	12 500	11,5
HMV 41E	Tr 205x4	207	276	288	43	8	8	12 800	12,0
HMV 42E	Tr 210x4	212	282	294	44	8	9	13 400	12,5
HMV 43E	Tr 215x4	217	287	300	44	8	9	13 700	13,0
HMV 44E	Tr 220x4	222	293	306	44	8	9	14 400	13,5
HMV 45E	Tr 225x4	227	300	312	45	8	9	15 200	14,5
HMV 46E	Tr 230x4	232	305	318	45	8	9	15 500	14,5
HMV 47E	Tr 235x4	237	311	326	46	8	10	16 200	16,0
HMV 48E	Tr 240x4	242	316	330	46	9	10	16 500	16,0
HMV 50E	Tr 250x4	252	329	342	46	9	10	17 600	17,5
HMV 52E	Tr 260x4	262	341	356	47	9	11	18 800	19,5
HMV 54E	Tr 270x4	272	352	368	48	9	12	19 800	20,5
HMV 56E	Tr 280x4	282	363	380	49	9	12	21 100	22,0
HMV 58E	Tr 290x4	292	375	390	49	9	13	22 400	22,5
HMV 60E	Tr 300x4	302	386	404	51	10	14	23 600	25,5

Désignation	Dimensions						Déplacement du piston permis	Surface du piston	Poids
	G	d ₁	d ₂	d ₃	B	B ₁			
-	filetage	mm	mm	mm	mm	mm	mm	mm ²	kg
HMV 62E	Tr 310x5	312	397	416	52	10	14	24 900	27,0
HMV 64E	Tr 320x5	322	409	428	53	10	14	26 300	29,5
HMV 66E	Tr 330x5	332	419	438	53	10	14	27 000	30,0
HMV 68E	Tr 340x5	342	430	450	54	10	14	28 400	31,5
HMV 69E	Tr 345x5	347	436	456	54	10	14	29 400	32,5
HMV 70E	Tr 350x5	352	442	464	56	10	14	29 900	35,0
HMV 72E	Tr 360x5	362	455	472	56	10	15	31 300	35,5
HMV 73E	Tr 365x5	367	460	482	57	11	15	31 700	38,5
HMV 74E	Tr 370x5	372	466	486	57	11	16	32 800	39,0
HMV 76E	Tr 380x5	382	476	498	58	11	16	33 500	40,5
HMV 77E	Tr 385x5	387	483	504	58	11	16	34 700	41,0
HMV 80E	Tr 400x5	402	499	522	60	11	17	36 700	45,5
HMV 82E	Tr 410x5	412	510	534	61	11	17	38 300	48,0
HMV 84E	Tr 420x5	422	522	546	61	11	17	40 000	50,0
HMV 86E	Tr 430x5	432	532	556	62	11	17	40 800	52,5
HMV 88E	Tr 440x5	442	543	566	62	12	17	42 500	54,0
HMV 90E	Tr 450x5	452	554	580	64	12	17	44 100	57,5
HMV 92E	Tr 460x5	462	565	590	64	12	17	45 100	60,0
HMV 94E	Tr 470x5	472	576	602	65	12	18	46 900	62,0
HMV 96E	Tr 480x5	482	587	612	65	12	19	48 600	63,0
HMV 98E	Tr 490x5	492	597	624	66	12	19	49 500	66,0
HMV 100E	Tr 500x5	502	609	636	67	12	19	51 500	70,0
HMV 102E	Tr 510x6	512	624	648	68	12	20	53 300	74,0
HMV 104E	Tr 520x6	522	634	658	68	13	20	54 300	75,0
HMV 106E	Tr 530x6	532	645	670	69	13	21	56 200	79,0
HMV 108E	Tr 540x6	542	657	682	69	13	21	58 200	81,0
HMV 110E	Tr 550x6	552	667	693	70	13	21	59 200	84,0
HMV 112E	Tr 560x6	562	678	704	71	13	22	61 200	88,0
HMV 114E	Tr 570x6	572	689	716	72	13	23	63 200	91,0
HMV 116E	Tr 580x6	582	699	726	72	13	23	64 200	94,0
HMV 120E	Tr 600x6	602	721	748	73	13	23	67 300	100
HMV 126E	Tr 630x6	632	754	782	74	14	23	72 900	110
HMV 130E	Tr 650x6	652	775	804	75	14	23	76 200	115
HMV 134E	Tr 670x6	672	796	826	76	14	24	79 500	120
HMV 138E	Tr 690x6	692	819	848	77	14	25	84 200	127
HMV 142E	Tr 710x7	712	840	870	78	15	25	87 700	135
HMV 150E	Tr 750x7	752	883	912	79	15	25	95 200	146
HMV 160E	Tr 800x7	802	936	965	80	16	25	103 900	161
HMV 170E	Tr 850x7	852	990	1 020	83	16	26	114 600	181
HMV 180E	Tr 900x7	902	1 043	1 075	86	17	30	124 100	205
HMV 190E	Tr 950x8	952	1 097	1 126	86	17	30	135 700	218
HMV 200E	Tr 1000x8	1 002	1 150	1 180	88	17	34	145 800	239

4.2 Écrous hydrauliques - Séries HMVC...E (filetages en pouces)

Les écrous HMVC...E sont fournis avec un raccord de connexion rapide (729832 A) et un raccord fileté mâle G 3/4 femelle NPT 3/8 (729106/100MPA).



Les normes des filetages sont recommandées par l'Association des Fabricants de Roulements Anti-Friction (AFBMA) aux Etats-Unis:

HMVC 10-64E Filetages de Forme Nationale Américaine Classe 3

HMVC 68-190E Filetages à Utilisation Générale ACME Classe 3G

	G	Diamètre de pas	Filetages par pouce	d ₁	d ₂	d ₃	B	B ₁	Déplacement du piston permis	Surface du piston	Poids
-	in	in	-	in	in	in	in	in	in	in ²	lb
HMVC 10E	1 967	1 9309	18	2.0	4.1	4.5	1.5	0.16	0.20	4.5	6.0
HMVC 11E	2 157	2 1209	18	2.2	4.3	4.7	1.5	0.16	0.20	4.9	6.1
HMVC 12E	2 360	2 3239	18	2.4	4.5	4.9	1.5	0.20	0.20	5.1	6.2
HMVC 13E	2 548	2 5119	18	2.6	4.8	5.1	1.5	0.20	0.20	5.6	6.6
HMVC 14E	2 751	2 7149	18	2.8	5.0	5.3	1.5	0.20	0.20	5.9	7.1
HMVC 15E	2 933	2 8789	12	3.0	5.2	5.5	1.5	0.20	0.20	6.2	7.5
HMVC 16E	3 137	3 0829	12	3.2	5.4	5.7	1.5	0.20	0.20	6.5	8.2
HMVC 17E	3 340	3 2859	12	3.4	5.6	5.9	1.5	0.20	0.20	6.8	8.3
HMVC 18E	3 527	3 4729	12	3.6	5.8	6.1	1.5	0.20	0.20	7.3	8.8
HMVC 19E	3 730	3 6759	12	3.8	6.0	6.4	1.5	0.20	0.20	7.6	9.5
HMVC 20E	3 918	3 8639	12	4.0	6.2	6.5	1.5	0.24	0.20	7.9	9.7
HMVC 21E	4 122	4 0679	12	4.2	6.4	6.8	1.5	0.24	0.20	8.2	10.3
HMVC 22E	4 325	4 2709	12	4.4	6.7	7.0	1.5	0.24	0.20	8.7	10.9
HMVC 24E	4 716	4 6619	12	4.7	7.0	7.4	1.5	0.24	0.20	9.3	11.6
HMVC 26E	5 106	5 0519	12	5.1	7.5	7.8	1.5	0.24	0.20	9.9	12.5
HMVC 28E	5 497	5 4429	12	5.5	7.9	8.2	1.5	0.28	0.20	10.5	13.2
HMVC 30E	5 888	5 8339	12	5.9	8.3	8.7	1.5	0.28	0.20	11.6	14.6
HMVC 32E	6 284	6 2028	8	6.3	8.8	9.1	1.6	0.28	0.24	13.3	16.8
HMVC 34E	6 659	6 5778	8	6.7	9.3	9.6	1.6	0.28	0.24	14.6	18.5
HMVC 36E	7 066	6 9848	8	7.1	9.7	10.1	1.6	0.28	0.24	16.0	20.2
HMVC 38E	7 472	7 3908	8	7.5	10.2	10.6	1.7	0.31	0.28	17.8	23.1

	G		Diamètre de pas	Fileta- ges par pouce	d ₁	d ₂	d ₃	B	B ₁	Déplacement du piston permis	Surface du piston	Poids
	in	in										
HMVC 40E	7 847	7 7658	8	7.9	10.7	11.1	1.7	0.31	0.31	19.4	25.4	
HMVC 44E	8 628	8 5468	8	8.7	11.5	12.0	1.7	0.31	0.35	22.3	29.8	
HMVC 48E	9 442	9 3337	6	9.5	12.4	13.0	1.8	0.35	0.39	25.6	35.3	
HMVC 52E	10 192	10 0837	6	10.3	13.4	14.0	1.9	0.35	0.43	29.1	41.9	
HMVC 54E	10 604	10 4960	6	10.7	13.9	14.5	1.9	0.35	0.47	30.7	45.2	
HMVC 56E	11 004	10 8957	6	11.1	14.3	15.0	1.9	0.35	0.47	32.7	48.5	
HMVC 60E	11 785	11 6767	6	11.9	15.2	15.9	2.0	0.39	0.55	36.6	56.2	
HMVC 64E	12 562	12 4537	6	12.7	16.1	16.9	2.1	0.39	0.55	40.8	65.0	
HMVC 68E	13 339	13 2190	5	13.5	16.9	17.7	2.1	0.39	0.55	44.0	69.4	
HMVC 72E	14 170	14 0500	5	14.3	17.9	18.6	2.2	0.39	0.59	48.5	78.3	
HMVC 76E	14 957	14 8370	5	15.0	18.7	19.6	2.3	0.43	0.63	51.9	89.3	
HMVC 80E	15 745	15 6250	5	15.8	19.6	20.6	2.4	0.43	0.67	56.9	100	
HMVC 84E	16 532	16 4120	5	16.6	20.6	21.5	2.4	0.43	0.67	62.0	110	
HMVC 88E	17 319	17 1990	5	17.4	21.4	22.3	2.4	0.47	0.67	65.9	119	
HMVC 92E	18 107	17 9870	5	18.2	22.2	23.3	2.5	0.47	0.67	69.9	132	
HMVC 96E	18 894	18 7740	5	19.0	23.1	24.1	2.6	0.47	0.75	75.3	139	
HMVC 100E	19 682	19 5620	5	19.8	24.0	25.0	2.6	0.47	0.75	79.8	154	
HMVC 106E	20 867	20 7220	4	20.9	25.4	26.4	2.7	0.51	0.83	87.1	174	
HMVC 112E	22 048	21 9030	4	22.1	26.7	27.7	2.8	0.51	0.87	94.9	194	
HMVC 120E	23 623	23 4780	4	23.7	28.4	29.4	2.9	0.51	0.91	104.3	220	
HMVC 126E	24 804	24 6590	4	24.9	29.7	30.8	2.9	0.55	0.91	113.0	243	
HMVC 134E	26 379	26 2340	4	26.5	31.3	32.5	3.0	0.55	0.94	123.2	265	
HMVC 142E	27 961	27 7740	3	28.0	33.1	34.3	3.1	0.59	0.98	135.9	298	
HMVC 150E	29 536	29 3490	3	29.6	34.8	35.9	3.1	0.59	0.98	147.6	322	
HMVC 160E	31 504	31 3170	3	31.6	36.9	38.0	3.1	0.63	0.98	161.0	355	
HMVC 170E	33 473	33 2860	3	33.5	39.0	40.2	3.3	0.63	1.02	177.6	399	
HMVC 180E	35 441	35 2540	3	35.5	41.1	42.3	3.4	0.67	1.18	192.4	452	
HMVC 190E	37 410	37 2230	3	37.5	43.2	44.3	3.4	0.67	1.18	210.3	481	

5. Stockage

Endroit sec sans poussière ; stockage dans une pièce sèche bien aérée

- Durée de stockage : max. 24 mois
- Humidité relative : <65 %
- Température de stockage : +10 ... +40 °C
- Aucune lumière du soleil directe et aucun rayonnement UV
- Protection contre les sources de chaleur ou de froid à proximité

6. Transport

Le transport des produits est effectué dans le conteneur du fabricant, quels que soient le moyen de transport et la distance.

Les produits doivent être emballés dans des conteneurs avec des composants et matériaux les protégeant contre les dommages et pertes, afin d'assurer leur sécurité pendant le transport, le rechargement et le stockage.

Indice

Dichiarazione di conformità CE	68
Precauzioni di sicurezza.....	69
1. Description.....	70
1.1 Principio di funzionamento.....	70
1.2 Capacità di carico	70
2. Modalità operative.....	71
2.1 Come applicare la ghiera.....	71
2.2 Come generare la pressione.....	72
2.3 Montaggio dei cuscinetti.....	72
2.4 Smontaggio dei cuscinetti.....	73
2.5 Metodo SKF Drive-up per montare i cuscinetti con foro conico	73
3. Manutenzione.....	76
3.1 In caso di perdita.....	76
3.2 Pezzi di ricambio	76
3.3 Accessori.....	77
4. Dimensioni	77
4.1 Ghiera idrauliche - HMV...E series.....	77
4.2 Ghiera idrauliche - serie HMVC (filettature in pollici).....	80
5. Stoccaggio.....	82
6. Trasporto	82

Traduzione delle istruzioni originali

Dichiarazione di conformità CE HMV / HMVC

Noi, SKF MPT, Meidoornkade 14, 3992 AE Houten, Paesi Bassi dichiariamo sotto la nostra responsabilità con la presente che i prodotti descritti in queste istruzioni per l'uso sono conformi alle condizioni delle seguenti direttive:

DIRETTIVA MACCHINE 2006/42/EC
e sono conformi ai seguenti standard:
EN-ISO 12100:2010,
EN-ISO 4413:2010.

Houten, Paesi Bassi, Novembre 2021



Sig.ra Andrea Gondová
Responsabile Qualità e Conformità





Precauzioni di sicurezza

Siccome forze ed alte pressioni possono costituire un potenziale pericolo, si seguano in proposito le seguenti precauzioni.

- L'attrezzatura deve essere utilizzata solamente da personale qualificato.
- Seguire sempre le istruzioni per l'uso.
- Controllare attentamente la ghiera idraulica e tutti gli accessori prima di farne uso. Evitare l'utilizzo anche in caso di modesti danneggiamenti.
- Assicurarci che tutta l'aria sia stata eliminata dal circuito idraulico prima di utilizzare l'attrezzatura.
- Non utilizzare la ghiera idraulica per altre applicazioni che non siano il montaggio e lo smontaggio di cuscinetti.
- Utilizzare sempre un manometro.
- È sempre necessario prevedere un sistema di arresto (es: una ghiera di bloccaggio) per evitare che il particolare meccanico venga proiettato violentemente verso l'esterno al momento del distacco.
- Non superare lo spostamento massimo consentito del pistone.
- Indossare occhiali protettivi.
- Non apportare modifiche all'attrezzatura.
- Utilizzare esclusivamente ricambi originali.
- Utilizzare solamente oli idraulici puliti (es. SKF LHM 300, LHDF 900 o similari).
- Le ghiera idrauliche devono essere sollevate e manipolate in accordo con le norme di sicurezza sul lavoro e la normativa locale.
- cavi di sollevamento in acciaio non devono essere applicati direttamente alla ghiera, potrebbero infatti danneggiare la filettatura della ghiera.
- I goffari eventualmente forniti vanno montati correttamente.
- In caso di qualsiasi incertezza nell'utilizzo della ghiera idraulica, contattare la SKF.

1. Description

1.1 Principio di funzionamento

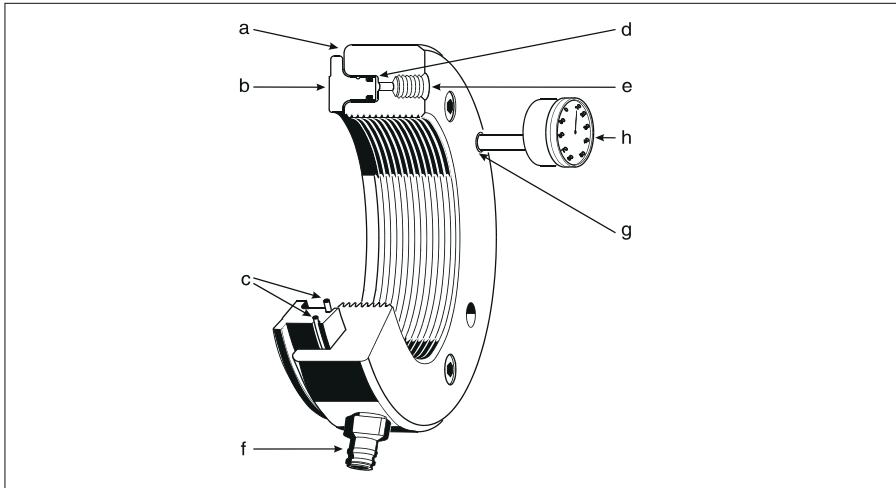


Figura 1. Parti della ghiera idraulica

La ghiera idraulica si è dimostrata di grande utilità nelle procedure di montaggio o smontaggio dei cuscinetti volventi con foro conico. Essa è composta da due elementi principali: un anello di acciaio (fig. 1a) con filettatura interna ed una scanalatura circonferenziale su una faccia, in cui è inserito un pistone anulare (fig. 1b). La tenuta (fig. 1c) tra i due elementi è formata da due O-ring. Quando l'olio viene pompato nella camera a pressione (fig. 1d), il pistone viene spinto fuori con una forza che, di solito, è sufficiente per montare e smontare i cuscinetti. L'anello esterno è provvisto di un foro non filettato (fig. 1g) in cui alloggiare un comparatore (fig. 1h). La punta di misurazione di quest'ultimo poggia contro la spalla del pistone, per indicare la corsa assiale.

(Nota: per determinare il montaggio corretto è possibile utilizzare la distanza di avanzamento; per ulteriori informazioni vedi skf.com/mount o scarica SKF Drive-up Method Program su skf.com. In alternativa si può scaricare la app SKF Drive-up Method dall'App Store® o su Google Play™).

L'anello di acciaio è provvisto di due fori filettati che consentono l'attacco del flessibile proveniente dalla pompa: uno sulla superficie laterale (fig. 1e) e l'altro nella circonferenza (fig. 1f). Il foro che resta inutilizzato deve essere tappato con un tappo a sfera, fornito con la ghiera. Il foro impiegato per la connessione del flessibile deve essere provvisto del raccordo 729832 A, accluso con la ghiera.

Gli accessori di serie forniti comprendono una serie di O-ring di ricambio, un set di manutenzione, ed una barra per serrare il dado.

1.2 Capacità di carico

Le ghiera idrauliche SKF sono state studiate per sostenere la pressione che di solito si sviluppa durante il montaggio o lo smontaggio dei cuscinetti volventi.

La pressione massima che può essere applicata all'olio nell'ambito della corsa pistone ammessa è:

Ghiere HMV 10 - 60	80 MPa
Ghiere HMV 62 - 100	40 MPa
Ghiere HMV 102 - 200	25 MPa

2. Modalità operative

2.1 Come applicare la ghiera

Per agevolare le procedure di montaggio, soprattutto nel caso di ghiera di maggiori dimensioni, è importante centrare la ghiera correttamente sulla corrispondente filettatura, prima di farla ruotare. Le ghiera grandi vanno sostenute durante l'installazione. Un modo per sostenerle prevede l'uso di uno speciale attrezzo di montaggio simile a quello mostrato nella figura 2. Quando il cuscinetto viene montato su una bussola, verificare che quest'ultima sia dritta, ovvero che la filettatura sia allineata sopra la parte scanalata della bussola. Si suggerisce di adoperare sempre un lubrificante per filettature prima di applicare la ghiera sulla filettatura corrispondente.

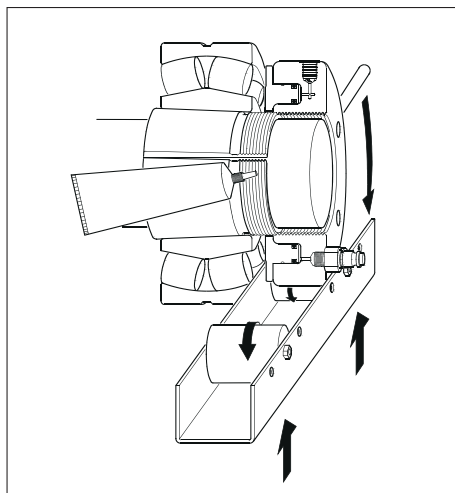


Figura 2. Sostegno per una ghiera di grandi dimensioni

Per avvitare la ghiera sull'albero o la bussola, utilizzare la barra in dotazione, inserendola in uno dei quattro fori non filettati nella superficie cilindrica esterna oppure in uno dei due fori sulla facciata laterale. Le ghiera HMV(C) 94E e più grandi sono predisposte per l'attacco di due golfari (DIN 580).

Quando installati, uno o entrambi i golfari possono essere utilizzati per sollevare la ghiera in tutta sicurezza. Le dimensioni dei golfari sono riportate nella tabella seguente:

Dimensioni della ghiera HMV(C) ..E	Dimensioni della filettatura dei golfari (DIN 580)
94 - 130	M10
134 - 160	M12
170 - 200	M16

Per agevolare il montaggio delle ghiera HMV(C) 94E e più grandi, sulla circonferenza è visibile una freccia che indica la posizione del primo filetto.

2.2 Come generare la pressione

SKF produce una vasta gamma di pompe che sono complementari alle ghiera HMV(C)..E. Per le ghiera delle varie dimensioni, si suggeriscono le pompe indicate di seguito:

HMV(C) 10E - HMV(C) 54E	729124/TMJL 50/TMJL 100/728619E
HMV(C) 56E - HMV(C) 92E	TMJL 50/TMJL 100/728619E
HMV(C) 94E - HMV(C) 200E	TMJL 50/728619E

Quando si applica il metodo SKF Drive-up, si suggerisce l'impiego delle seguenti pompe:

HMV(C) 10E ... 54E	729124 DU/TMJL 50DU/TMJL 100DU
HMV(C) 56E ... 92E	TMJL 50DU/TMJL 100DU
HMV(C) 94E ... 200E	TMJL 50DU

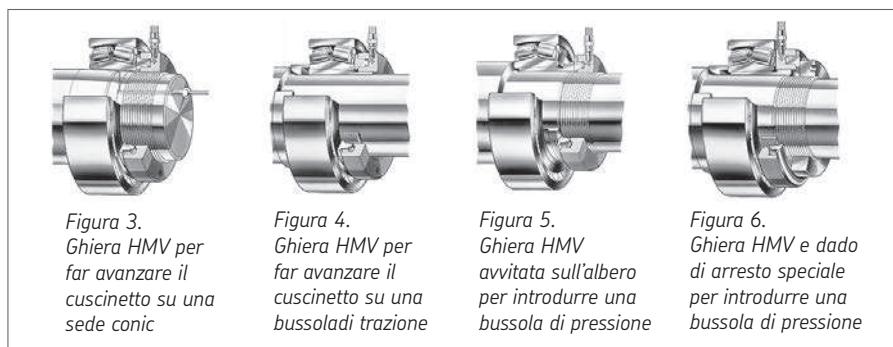
Nota:

tutte le pompe DU sono fornite con accluso il manometro digitale THGD 100 (0 - 100 MPa). Utilizzare, come mezzo di pressione, un olio di viscosità di 300 mm²/s circa a temperatura ambiente, ad esempio il fluido di montaggio SKF LHM 300. Quando si esegue la connessione alla pompa, controllare che l'impianto idraulico sia stato spurgato completamente dell'aria. A questo scopo, aprire il tappo a sfera una volta raggiunto il punto più alto e pompare l'olio finché non fuoriesce olio privo di aria. Serrare di nuovo il tappo a sfera: ora la ghiera è pronta per l'uso.

2.3 Montaggio dei cuscinetti

La ghiera deve essere avvitata con cura su una zona filettata dell'albero o della bussola, finché non va in battuta sull'anello interno del cuscinetto (fig. 3, 4), la bussola di pressione (fig. 5) o uno speciale dado / piastra di sostegno (fig. 6). È importante impegnare la filettatura della ghiera per quanto possibile, ed almeno per l'80 %. Se non fosse possibile, è necessario utilizzare un anello ausiliario di sostegno. Il pistone va quindi ritratto completamente nella ghiera.

Montaggio



Per introdurre nella ghiera l'olio sotto pressione si fa uso di una pompa. La corsa ammissibile (spostamento assiale) è stata scelta per consentire il montaggio di tutti i cuscinetti con fori con conicità 1:12 o 1:30. Non superare la corsa ammessa del pistone, indicata da una scanalatura all'esterno del pistone. Completato il montaggio, aprire la valvola di ritorno della pompa per consentire all'olio sotto pressione di fuoriuscire dalla ghiera. Per svuotare completamente la ghiera, è necessario che il pistone ritorni nella posizione originale. Il metodo più semplice per ottenere questo risultato consiste nell'avvitare ulteriormente la ghiera sulla filettatura dell'albero o della bussola, determinando la ritrazione del pistone. In questo modo l'olio rifluisce nella pompa.

2.4 Smontaggio dei cuscinetti

Quando i cuscinetti volventi vengono smontati dalle bussole di trazione o pressione, si avvita la ghiera sulla filettatura della bussola finché non poggia contro l'anello interno del cuscinetto (fig. 7) o uno speciale anello di supporto (fig. 8). Spostando il pistone, la bussola si ritrae dal foro del cuscinetto oppure il cuscinetto viene spinto fuori dalla bussola di trazione.

Smontaggio



Figura 7.
Ghiera HMV usata per liberare una
bussola di pressione



Figura 8.
Ghiera HMV ed anello di bloccaggio in posizione
per sbloccare una bussola di trazione

2.5 Metodo SKF Drive-up per montare i cuscinetti con foro conico

Per tradizione, quando si montano i cuscinetti con foro conico, se ne misura la riduzione del gioco radiale interno. La precisione di tale metodo dipende in gran parte dall'abilità del tecnico di usare gli spessimetri. Il metodo SKF Drive-up migliora sensibilmente l'affidabilità e la facilità d'installazione dei cuscinetti con foro conico e può essere utilizzato per i cuscinetti SKF orientabili a rulli e CARB®, ed alcuni cuscinetti orientabili a sfere. Per potere utilizzare questo metodo, è necessaria una pompa con un manometro digitale di alta precisione ed un comparatore (fig. 9). Le pompe con suffisso DU sono provviste di manometro digitale con capacità da 0 a 100 MPa.

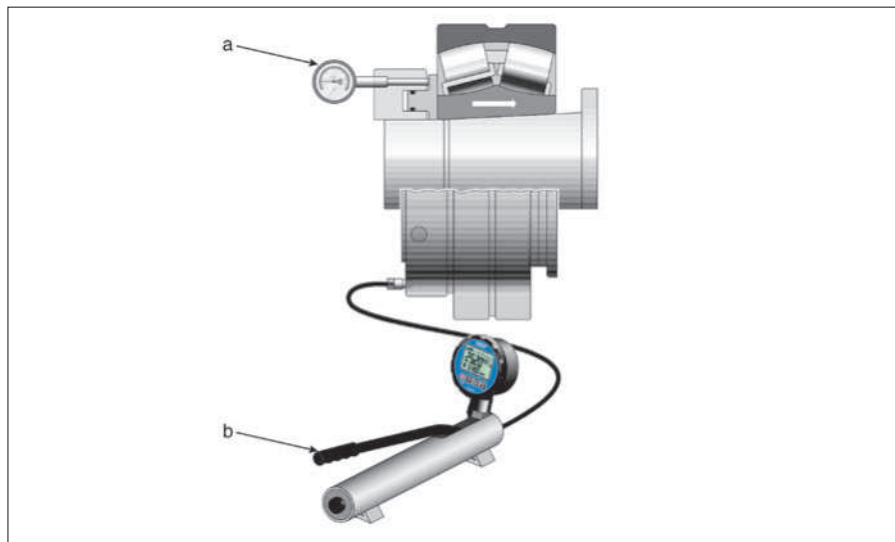


Figura 9. Comparatore e pompa idraulica

Comparatori (fig. 9a)

Calibratura in millimetri	TMCD 10R / TMCD 5P
Calibratura in pollici	TMCD 1/2R

Pompe idrauliche con manometro digitale (fig. 9b)

0 - 100 MPa (0 - 15000 psi)

Dimensione massima della ghiera	HMV (C) 54E	HMV (C) 92E	HMV (C) 200E
Riferimento pompa	729124 DU	TMJL 100DU	TMJL 50DU

Procedura di montaggio

Fase 1

Verificare che il cuscinetto sia di dimensioni compatibili con quelle della ghiera HMV(C) E. Ad esempio, per il cuscinetto 23936 CCK/W33 montato direttamente su un albero, usare HMV(C) 36E. Altrimenti sarà necessario regolare la pressione corrispondente alla posizione iniziale.

Fase 2

Determinare se durante il montaggio si verifica lo scorrimento di una o due superfici. Vedere le figure 10 - 13.

Fase 3

Far avanzare il cuscinetto nella posizione iniziale applicando alla ghiera HMV(C) la giusta

pressione idraulica. Vedere la figura 14. Un metodo alternativo consiste nell'avvitare direttamente il manometro digitale SKF sulla ghiera. Spostare il cuscinetto sulla sede conica per la distanza necessaria. Utilizzare un comparatore per tenere sotto controllo lo spostamento assiale. Potete trovare le specifiche della pressione idraulica di partenza (MPa/psi) e dell'avanzamento assiale (mm) su skf.com/mount o scaricando SKF Drive-up Method Program per PC su skf.com. In alternativa si può scaricare la app SKF Drive-up Method dall'App Store o su Google Play.

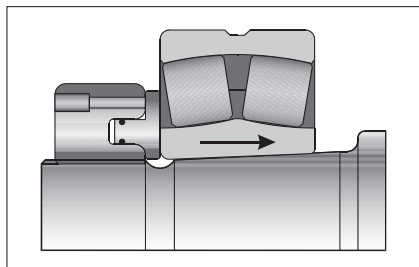


Figura 10. Una superficie di scorrimento

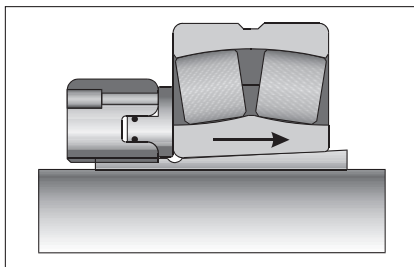


Figura 11. Una superficie di scorrimento

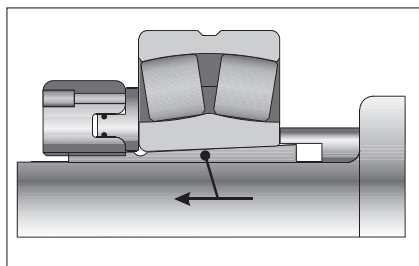


Figura 12. Due superfici di scorrimento

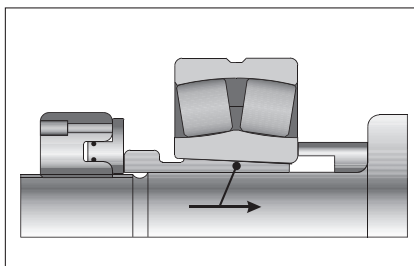


Figura 13. Due superfici di scorrimento

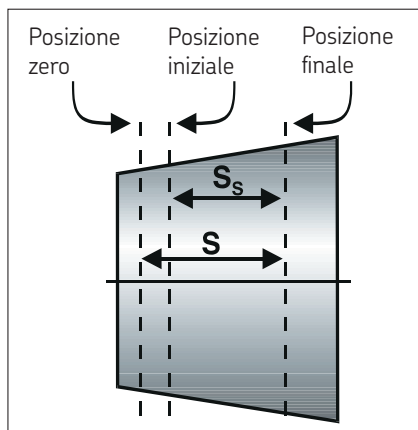


Figura 14. Posizione del cuscinetto



3. Manutenzione

Quando non viene utilizzata, la ghiera deve essere protetta dalla ruggine ed i fori di connessione del flessibile vanno tappati per evitare la penetrazione di sporcizia.

3.1 In caso di perdita

Se quando si aziona il pistone l'olio fuoriesce dalla ghiera, probabilmente la guarnizione è strappata o danneggiata e va sostituita. Per effettuare la sostituzione è necessario far fuoriuscire il pistone dalla facciata. Per agevolare questa operazione, sulla superficie dell'anello sono presenti tre fori ausiliari con tappi di chiusura. Utilizzare le spine filettate in corredo con la ghiera per spingere il pistone fuori dall'anello (fig. 15).

Togliere quindi gli O-ring, pulire le scanalature e installare degli O-ring nuovi. Se necessario, utilizzare del grasso per mantenere in posizione gli O-ring durante l'operazione di sostituzione.

Con la ghiera è fornita anche una serie di O-ring di ricambio. Ulteriori O-ring di ricambio possono essere richiesti alla SKF.

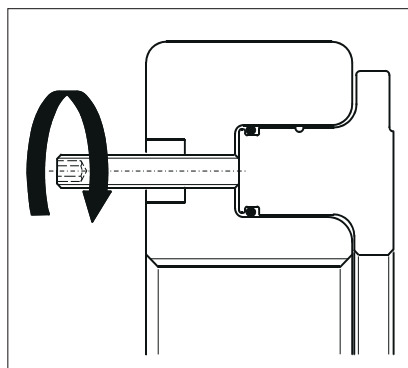


Figura 15. Espulsione del pistone

3.2 Pezzi di ricambio

Descrizione	Appellativo
O-rings	Appellativo della ghiera seguito da /233983, ad esempio HMV 10/233983
Tappo a sfera	233950
Raccordo a connessione rapida	729832 A
Viti in nylon per fissare l'indicatore a quadrante (fornite in confezioni da 10)	HMVE M5x10 (dimensioni ghiera da 10...69) HMVE M5x17 (dimensioni ghiera 70 e maggiori)
Set di manutenzione (spine filettate, anelli di rame, chiavi)	HMVM 10/29 (dimensioni ghiera 10...29) HMVM 30/69 (dimensioni ghiera 30...69) HMVM 70/200 (dimensioni ghiera 70...200)

3.3 Accessori

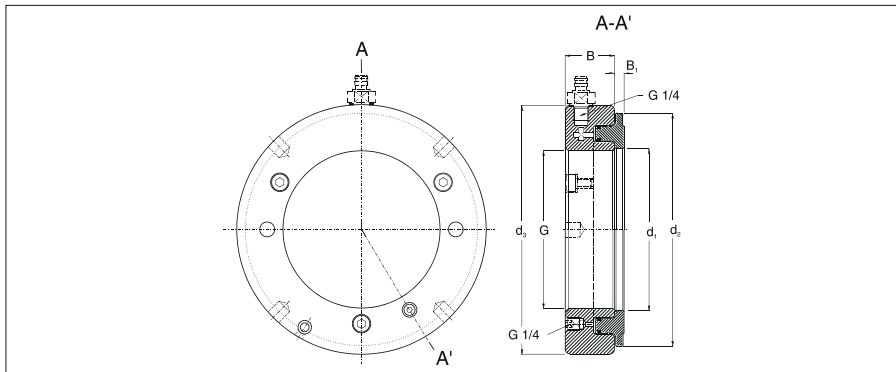
Descrizione	Appellativo
Fluido di montaggio (5 litri)	LHMF 300/5
Comparatori	TMCD 5P (quadrante parallelo, 0-5 mm) TMCD 10R (quadrante ad angolo retto, 0-10 mm) TMCD 1/2R (quadrante ad angolo retto, 0 - 1/2 in)

4. Dimensioni

Le tabelle seguenti indicano le dimensioni delle ghiera idrauliche standard SKF HMV...E (metriche) e HMVC...E (pollici).

Le ghiera possono essere fornite anche in grandezze diverse, con filettature speciali o con fori non filettati. Maggiori informazioni saranno fornite su richiesta.

4.1 Ghiera idrauliche - HMV...E series



Filettature

HMV 10E - HMV 40E	ISO 965/III-1980, classe di tolleranza 6H
HMV 41E - HMV 200E	ISO 2901-1977, classe di tolleranza 7H

Filettature di accoppiamento consigliate

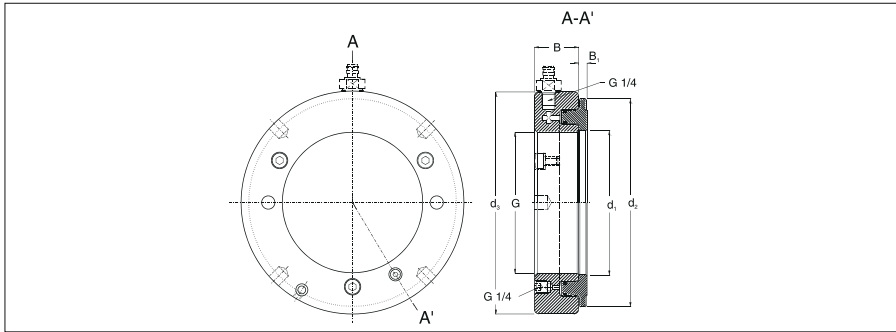
HMV 10E - HMV 40E	ISO 965/III-1980, classe di tolleranza 6g
HMV 41E - HMV 200E	ISO 2901-1977, classe di tolleranza 7e

Appellativo	Dimensioni						Corsa pistone ammessa	Area pistone pistone	Peso
	G	d ₁	d ₂	d ₃	B	B ₁			
-	thread	mm	mm	mm	mm	mm	mm	mm ²	kg
HMV 10E	M 50x1.5	50,5	104	114	38	4	5	2 900	2,70
HMV 11E	M 55x2	55,5	109	120	38	4	5	3 150	2,75
HMV 12E	M 60x2	60,5	115	125	38	5	5	3 300	2,80
HMV 13E	M 65x2	65,5	121	130	38	5	5	3 600	3,00
HMV 14E	M 70x2	70,5	127	135	38	5	5	3 800	3,20
HMV 15E	M 75x2	75,5	132	140	38	5	5	4 000	3,40
HMV 16E	M 80x2	80,5	137	146	38	5	5	4 200	3,70
HMV 17E	M 85x2	85,5	142	150	38	5	5	4 400	3,75
HMV 18E	M 90x2	90,5	147	156	38	5	5	4 700	4,00
HMV 19E	M 95x2	95,5	153	162	38	5	5	4 900	4,30
HMV 20E	M 100x2	100,5	158	166	38	6	5	5 100	4,40
HMV 21E	M 105x2	105,5	163	172	38	6	5	5 300	4,65
HMV 22E	M 110x2	110,5	169	178	38	6	5	5 600	4,95
HMV 23E	M 115x2	115,5	174	182	38	6	5	5 800	5,00
HMV 24E	M 120x2	120,5	179	188	38	6	5	6 000	5,25
HMV 25E	M 125x2	125,5	184	192	38	6	5	6 200	5,35
HMV 26E	M 130x2	130,5	190	198	38	6	5	6 400	5,65
HMV 27E	M 135x2	135,5	195	204	38	6	5	6 600	5,90
HMV 28E	M 140x2	140,5	200	208	38	7	5	6 800	6,00
HMV 29E	M 145x2	145,5	206	214	39	7	5	7 300	6,50
HMV 30E	M 150x2	150,5	211	220	39	7	5	7 500	6,60
HMV 31E	M 155x3	155,5	218	226	39	7	5	8 100	6,95
HMV 32E	M 160x3	160,5	224	232	40	7	6	8 600	7,60
HMV 33E	M 165x3	165,5	229	238	40	7	6	8 900	7,90
HMV 34E	M 170x3	170,5	235	244	41	7	6	9 400	8,40
HMV 36E	M 180x3	180,5	247	256	41	7	6	10 300	9,15
HMV 38E	M 190x3	191	259	270	42	8	7	11 500	10,5
HMV 40E	M 200x3	201	271	282	43	8	8	12 500	11,5
HMV 41E	Tr 205x4	207	276	288	43	8	8	12 800	12,0
HMV 42E	Tr 210x4	212	282	294	44	8	9	13 400	12,5
HMV 43E	Tr 215x4	217	287	300	44	8	9	13 700	13,0
HMV 44E	Tr 220x4	222	293	306	44	8	9	14 400	13,5
HMV 45E	Tr 225x4	227	300	312	45	8	9	15 200	14,5
HMV 46E	Tr 230x4	232	305	318	45	8	9	15 500	14,5
HMV 47E	Tr 235x4	237	311	326	46	8	10	16 200	16,0
HMV 48E	Tr 240x4	242	316	330	46	9	10	16 500	16,0
HMV 50E	Tr 250x4	252	329	342	46	9	10	17 600	17,5
HMV 52E	Tr 260x4	262	341	356	47	9	11	18 800	19,5
HMV 54E	Tr 270x4	272	352	368	48	9	12	19 800	20,5
HMV 56E	Tr 280x4	282	363	380	49	9	12	21 100	22,0
HMV 58E	Tr 290x4	292	375	390	49	9	13	22 400	22,5
HMV 60E	Tr 300x4	302	386	404	51	10	14	23 600	25,5

Appellativo	Dimensioni						Corsa pistone ammessa	Area del pistone	Peso
	G	d ₁	d ₂	d ₃	B	B ₁			
-	flettatura	mm	mm	mm	mm	mm	mm	mm ²	kg
HMV 62E	Tr 310x5	312	397	416	52	10	14	24 900	27,0
HMV 64E	Tr 320x5	322	409	428	53	10	14	26 300	29,5
HMV 66E	Tr 330x5	332	419	438	53	10	14	27 000	30,0
HMV 68E	Tr 340x5	342	430	450	54	10	14	28 400	31,5
HMV 69E	Tr 345x5	347	436	456	54	10	14	29 400	32,5
HMV 70E	Tr 350x5	352	442	464	56	10	14	29 900	35,0
HMV 72E	Tr 360x5	362	455	472	56	10	15	31 300	35,5
HMV 73E	Tr 365x5	367	460	482	57	11	15	31 700	38,5
HMV 74E	Tr 370x5	372	466	486	57	11	16	32 800	39,0
HMV 76E	Tr 380x5	382	476	498	58	11	16	33 500	40,5
HMV 77E	Tr 385x5	387	483	504	58	11	16	34 700	41,0
HMV 80E	Tr 400x5	402	499	522	60	11	17	36 700	45,5
HMV 82E	Tr 410x5	412	510	534	61	11	17	38 300	48,0
HMV 84E	Tr 420x5	422	522	546	61	11	17	40 000	50,0
HMV 86E	Tr 430x5	432	532	556	62	11	17	40 800	52,5
HMV 88E	Tr 440x5	442	543	566	62	12	17	42 500	54,0
HMV 90E	Tr 450x5	452	554	580	64	12	17	44 100	57,5
HMV 92E	Tr 460x5	462	565	590	64	12	17	45 100	60,0
HMV 94E	Tr 470x5	472	576	602	65	12	18	46 900	62,0
HMV 96E	Tr 480x5	482	587	612	65	12	19	48 600	63,0
HMV 98E	Tr 490x5	492	597	624	66	12	19	49 500	66,0
HMV 100E	Tr 500x5	502	609	636	67	12	19	51 500	70,0
HMV 102E	Tr 510x6	512	624	648	68	12	20	53 300	74,0
HMV 104E	Tr 520x6	522	634	658	68	13	20	54 300	75,0
HMV 106E	Tr 530x6	532	645	670	69	13	21	56 200	79,0
HMV 108E	Tr 540x6	542	657	682	69	13	21	58 200	81,0
HMV 110E	Tr 550x6	552	667	693	70	13	21	59 200	84,0
HMV 112E	Tr 560x6	562	678	704	71	13	22	61 200	88,0
HMV 114E	Tr 570x6	572	689	716	72	13	23	63 200	91,0
HMV 116E	Tr 580x6	582	699	726	72	13	23	64 200	94,0
HMV 120E	Tr 600x6	602	721	748	73	13	23	67 300	100
HMV 126E	Tr 630x6	632	754	782	74	14	23	72 900	110
HMV 130E	Tr 650x6	652	775	804	75	14	23	76 200	115
HMV 134E	Tr 670x6	672	796	826	76	14	24	79 500	120
HMV 138E	Tr 690x6	692	819	848	77	14	25	84 200	127
HMV 142E	Tr 710x7	712	840	870	78	15	25	87 700	135
HMV 150E	Tr 750x7	752	883	912	79	15	25	95 200	146
HMV 160E	Tr 800x7	802	936	965	80	16	25	103 900	161
HMV 170E	Tr 850x7	852	990	1 020	83	16	26	114 600	181
HMV 180E	Tr 900x7	902	1 043	1 075	86	17	30	124 100	205
HMV 190E	Tr 950x8	952	1 097	1 126	86	17	30	135 700	218
HMV 200E	Tr 1000x8	1 002	1 150	1 180	88	17	34	145 800	239

4.2 Ghiere idrauliche - serie HMVC (filettature in pollici)

Le ghiere HMVC...E vengono fornite con un raccordo di connessione rapida (729832 A) e un raccordo filettato da maschio G 1/4 a femmina NPT 3/8 (729106/100MPA).



Gli standard per la filettatura sono quelli suggeriti dalla AFBMA (Anti-Friction Bearing Manufacturers Association) negli Stati Uniti:

HMVC 10-64E American National Form Threads Classe 3

HMVC 68-190E Filettature trapezoidali di classe 3 G

	G	Diametro primitivo	Filettature per pollice			B	B ₁	Corsa pistone ammessa	Area del pistone	Peso	
			d ₁	d ₂	d ₃						
-	in	in	-	in	in	in	in	in	in ²	lb	
HMVC 10E	1 967	1 9309	18	2.0	4.1	4.5	1.5	0.16	0.20	4.5	6.0
HMVC 11E	2 157	2 1209	18	2.2	4.3	4.7	1.5	0.16	0.20	4.9	6.1
HMVC 12E	2 360	2 3239	18	2.4	4.5	4.9	1.5	0.20	0.20	5.1	6.2
HMVC 13E	2 548	2 5119	18	2.6	4.8	5.1	1.5	0.20	0.20	5.6	6.6
HMVC 14E	2 751	2 7149	18	2.8	5.0	5.3	1.5	0.20	0.20	5.9	7.1
HMVC 15E	2 933	2 8789	12	3.0	5.2	5.5	1.5	0.20	0.20	6.2	7.5
HMVC 16E	3 137	3 0829	12	3.2	5.4	5.7	1.5	0.20	0.20	6.5	8.2
HMVC 17E	3 340	3 2859	12	3.4	5.6	5.9	1.5	0.20	0.20	6.8	8.3
HMVC 18E	3 527	3 4729	12	3.6	5.8	6.1	1.5	0.20	0.20	7.3	8.8
HMVC 19E	3 730	3 6759	12	3.8	6.0	6.4	1.5	0.20	0.20	7.6	9.5
HMVC 20E	3 918	3 8639	12	4.0	6.2	6.5	1.5	0.24	0.20	7.9	9.7
HMVC 21E	4 122	4 0679	12	4.2	6.4	6.8	1.5	0.24	0.20	8.2	10.3
HMVC 22E	4 325	4 2709	12	4.4	6.7	7.0	1.5	0.24	0.20	8.7	10.9
HMVC 24E	4 716	4 6619	12	4.7	7.0	7.4	1.5	0.24	0.20	9.3	11.6
HMVC 26E	5 106	5 0519	12	5.1	7.5	7.8	1.5	0.24	0.20	9.9	12.5
HMVC 28E	5 497	5 4429	12	5.5	7.9	8.2	1.5	0.28	0.20	10.5	13.2
HMVC 30E	5 888	5 8339	12	5.9	8.3	8.7	1.5	0.28	0.20	11.6	14.6
HMVC 32E	6 284	6 2028	8	6.3	8.8	9.1	1.6	0.28	0.24	13.3	16.8
HMVC 34E	6 659	6 5778	8	6.7	9.3	9.6	1.6	0.28	0.24	14.6	18.5
HMVC 36E	7 066	6 9848	8	7.1	9.7	10.1	1.6	0.28	0.24	16.0	20.2
HMVC 38E	7 472	7 3908	8	7.5	10.2	10.6	1.7	0.31	0.28	17.8	23.1

	G	Filettature						B	B ₁	Corsa pistone ammessa	Area del pistone	Peso
		Diametro primitivo	per pollice	d ₁	d ₂	d ₃						
-	in	in	-	in	in	in	in	in	in	in ²	lb	
HMVC 40E	7 847	7 7658	8	7.9	10.7	11.1	1.7	0.31	0.31	19.4	25.4	
HMVC 44E	8 628	8 5468	8	8.7	11.5	12.0	1.7	0.31	0.35	22.3	29.8	
HMVC 48E	9 442	9 3337	6	9.5	12.4	13.0	1.8	0.35	0.39	25.6	35.3	
HMVC 52E	10 192	10 0837	6	10.3	13.4	14.0	1.9	0.35	0.43	29.1	41.9	
HMVC 54E	10 604	10 4960	6	10.7	13.9	14.5	1.9	0.35	0.47	30.7	45.2	
HMVC 56E	11 004	10 8957	6	11.1	14.3	15.0	1.9	0.35	0.47	32.7	48.5	
HMVC 60E	11 785	11 6767	6	11.9	15.2	15.9	2.0	0.39	0.55	36.6	56.2	
HMVC 64E	12 562	12 4537	6	12.7	16.1	16.9	2.1	0.39	0.55	40.8	65.0	
HMVC 68E	13 339	13 2190	5	13.5	16.9	17.7	2.1	0.39	0.55	44.0	69.4	
HMVC 72E	14 170	14 0500	5	14.3	17.9	18.6	2.2	0.39	0.59	48.5	78.3	
HMVC 76E	14 957	14 8370	5	15.0	18.7	19.6	2.3	0.43	0.63	51.9	89.3	
HMVC 80E	15 745	15 6250	5	15.8	19.6	20.6	2.4	0.43	0.67	56.9	100	
HMVC 84E	16 532	16 4120	5	16.6	20.6	21.5	2.4	0.43	0.67	62.0	110	
HMVC 88E	17 319	17 1990	5	17.4	21.4	22.3	2.4	0.47	0.67	65.9	119	
HMVC 92E	18 107	17 9870	5	18.2	22.2	23.3	2.5	0.47	0.67	69.9	132	
HMVC 96E	18 894	18 7740	5	19.0	23.1	24.1	2.6	0.47	0.75	75.3	139	
HMVC 100E	19 682	19 5620	5	19.8	24.0	25.0	2.6	0.47	0.75	79.8	154	
HMVC 106E	20 867	20 7220	4	20.9	25.4	26.4	2.7	0.51	0.83	87.1	174	
HMVC 112E	22 048	21 9030	4	22.1	26.7	27.7	2.8	0.51	0.87	94.9	194	
HMVC 120E	23 623	23 4780	4	23.7	28.4	29.4	2.9	0.51	0.91	104.3	220	
HMVC 126E	24 804	24 6590	4	24.9	29.7	30.8	2.9	0.55	0.91	113.0	243	
HMVC 134E	26 379	26 2340	4	26.5	31.3	32.5	3.0	0.55	0.94	123.2	265	
HMVC 142E	27 961	27 7740	3	28.0	33.1	34.3	3.1	0.59	0.98	135.9	298	
HMVC 150E	29 536	29 3490	3	29.6	34.8	35.9	3.1	0.59	0.98	147.6	322	
HMVC 160E	31 504	31 3170	3	31.6	36.9	38.0	3.1	0.63	0.98	161.0	355	
HMVC 170E	33 473	33 2860	3	33.5	39.0	40.2	3.3	0.63	1.02	177.6	399	
HMVC 180E	35 441	35 2540	3	35.5	41.1	42.3	3.4	0.67	1.18	192.4	452	
HMVC 190E	37 410	37 2230	3	37.5	43.2	44.3	3.4	0.67	1.18	210.3	481	

5. Stoccaggio

Stoccaggio in luogo asciutto e ben ventilato, privo di polvere

- Durata di conservazione: max 24 mesi
- Umidità relativa: < 65%
- Temperatura di stoccaggio: +10 ... +40 °C
- No luce solare diretta e raggi UV
- Tenere lontano da fonti di calore o freddo

6. Trasporto

Il trasporto dei prodotti viene effettuato nel contenitore del produttore, con tutti i mezzi di trasporto su qualsiasi distanza.

I prodotti devono essere imballati in container, contenitori e altri componenti e materiali che proteggono il prodotto contro danni e perdite, al fine di assicurarne la sicurezza durante il trasporto e lo stoccaggio.

Conteúdo

Declaração de conformidade UE	84
Recomendações de segurança	85
1. Descrição	86
1.1 Princípio de operação	86
1.2 Capacidade de carga	86
2. Instruções de operação	87
2.1 Como aplicar a porca	87
2.2 Como gerar a pressão	88
2.3 Montagem dos rolamentos	88
2.4 Desmontagem dos rolamentos	89
2.5 Método de Accionamento da SKF para a montagem de rolamentos com um furo cónico	89
3. Manutenção	92
3.1 Em caso de fugas	92
3.2 Peças de substituição	92
3.3 Accessories	93
4. Dimensões	93
4.1 Porcas hidráulicas da série HMV...E	93
4.2 Porcas hidráulicas da série HMVC...E (roscas em polegas)	96
5. Armazenamento	98
6. Transporte	98

Tradução das instruções originais

Declaração de conformidade UE HMV / HMVC

A SKF MPT, Meidoornkade 14, 3992 AE Houten, Holanda, declara, por meio desta e sob sua inteira responsabilidade, que os produtos a seguir, referentes a esta declaração, estão de acordo com as condições descritas na(s) seguinte(s) Diretiva(s):

DIRETIVA DE MÁQUINAS 2006/42/CE

e estão em conformidade com as seguintes normas:

EN-ISO 12100:2010,

EN-ISO 4413:2010.

Houten, The Netherlands, Novembro 2021



Sra. Andrea Gondová
Gerente de Qualidade e Conformidade





Recomendações de segurança

Atendendo a que pressões/forças elevadas envolvem um potencial risco em termos de segurança, as seguintes instruções devem ser respeitadas:

- O equipamento só deve ser utilizado por operadores treinados.
- Siga sempre as instruções de utilização.
- Verifique cuidadosamente a porca hidráulica e todos os acessórios antes da utilização. Nunca utilize componentes mesmo que ligeiramente danificados.
- Certifique-se que todo o ar foi purgado do sistema hidráulico, antes de submeter o equipamento a uma pressão hidráulica.
- Não utilize a porca hidráulica noutras aplicações que não sejam a montagem/desmontagem de rolamentos.
- Utilize sempre manómetros.
- Tome sempre as devidas precauções que impeçam, que qualquer rolamento/peça/ferramenta seja projectada na sequência de um súbito alívio da pressão (exemplo: use sempre uma porca de retenção). Sempre que se utilize uma desmontagem por pressão hidráulica.
- Não exceda o curso máximo admissível do embolo.
- Utilize sempre óculos de protecção/segurança.
- Nunca introduza alterações no equipamento.
- Utilize só peças de origem.
- Utilize só óleo hidráulico limpo, recomendado (exemplo: SKF LHM 300, LHDF 900 ou similar.).
- As porcas devem ser içadas e manuseadas de acordo com as práticas e regulamentações de trabalho seguro.
- Os cabos de aço de içamento não devem ser conectados diretamente à porca, pois isso poderia danificar as roscas da porca.
- O(s) perno(s) com olhal, quando fornecidos, devem ser correctamente instalados.
- Em caso de dúvidas no que respeita à correcta utilização da porca hidráulica, queira contactar a SKF.

1. Descrição

1.1 Princípio de operação

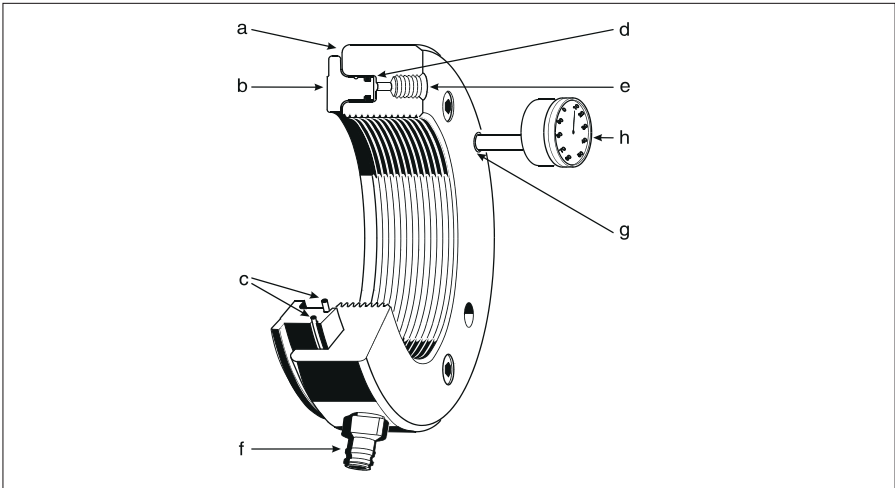


Figura 1. Peças da porca hidráulica

A porca hidráulica provou reduzir consideravelmente o esforço aquando da montagem ou desmontagem de rolamentos de rolos com furos cônicos. Inclui dois componentes principais: um anel de aço (fig. 1a) com rosca interna e uma ranhura num dos lados, e um pistão anelar (fig. 1b) que assenta na ranhura. A vedação (fig. 1c) entre as duas partes é efectuada através de dois anéis. Quando o óleo é bombeado para a câmara de pressão (fig. 1d), o pistão é empurrado para fora com uma força que normalmente é suficiente para a montagem e desmontagem de rolamentos de rolos. O anel externo tem um orifício não roscado (fig. 1g) para segurar o comparador (fig. 1h). A ponta de medição do indicador fica contra o ressalto do pistão para indicar o deslocamento axial. (Nota: A distância da guia pode ser usada para definir a montagem correta; consulte skf.com/mount ou baixe o Programa SKF Drive-up Method na página skf.com. Como alternativa, você também pode baixar o aplicativo SKF Drive-up Method na App Store® ou no Google Play™).

Existem orifícios roscados no anel de aço para a ligação do tubo a partir da bomba: Um no lado da frente (fig. 1e), e outro na circunferência (fig. 1f). O orifício que não estiver a ser utilizado deve ser ligado com uma porca de esfera fornecida. O orifício utilizado para a ligação do tubo deverá estar equipado com um acessório 729832 A, incluído com a porca hidráulica. Um conjunto sobressalente de anéis, um conjunto de manutenção, e uma barra com pega para apertar a porca estão incluídos como acessórios padrão.

1.2 Capacidade de carga

As porcas hidráulicas da SKF foram concebidas de acordo com a pressão normalmente encontrada quando os rolamentos de rolos são montados e desmontados.

A pressão máxima do óleo com deslocamento permitido do pistão que pode ser aplicada para as porcas hidráulicas da série HMV é a seguinte:

HMV 10 - 60	80 MPa (11 600 psi)
HMV 62 - 100	40 MPa (5 800 psi)
HMV 102 - 200	25 MPa (3 600 psi)

2. Instruções de operação

2.1 Como aplicar a porca

Para facilitar a montagem, especialmente para porcas grandes, é importante que a porca esteja correctamente centrada na parte rosçada antes da rotação. As porcas grandes devem ser apoiadas durante a instalação. Uma das formas para fazer isto é o de utilizar uma ferramenta de montagem especial semelhante à mostrada na figura 2.

Quando o rolamento está montado numa manga, certifique-se de que esta é recta, ou seja, com a rosca alinhada com a parte das ranhuras da manga. Recomenda-se utilizar sempre um lubrificante para roscas antes de instalar a porca na rosca.

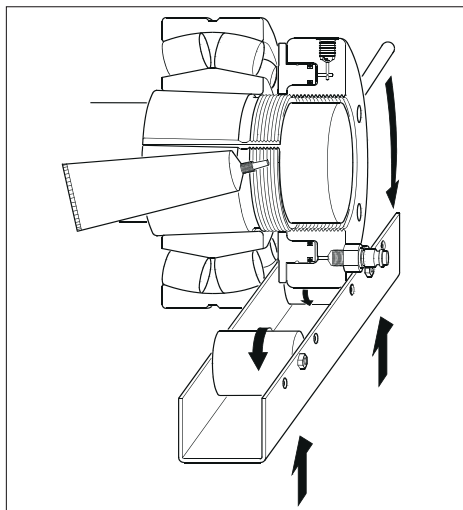


Figura 2. Suporte para uma porca hidráulica grande

Para enroscar a porca no eixo ou manga, utilize a barra com pega fornecida. Esta é inserida num dos quatro orifícios não roscados na superfície cilíndrica externa ou num dos dois orifícios na superfície lateral.

As porcas de tamanho HMV(C) 94E ou maiores têm espaço para a colocação de dois pernos com olhal (DIN 580). Um ou ambos os pernos com olhal, quando correctamente colocados, podem ser utilizados para levantar a porca com segurança. O tamanho dos pernos com olhal é apresentado na seguinte tabela:

Tamanho da porca HMV(C) ..E	Perno com olhal Tamanho da Rosca (DIN 580)
94 - 130	M10
134 - 160	M12
170 - 200	M16

Para facilitar a montagem das porcas de tamanho HMV(C) 94E e maiores, na circunferência da porca está marcada uma seta mostrando a posição na primeira rosca.

2.2 Como gerar a pressão

A SKF fabrica uma vasta gama de bombas para complementar a gama completa das porcas HMV(C)..E.

As bombas que se seguem são recomendadas para os vários tamanhos de porcas:

HMV(C) 10E - HMV(C) 54E	729124/TMJL 50/TMJL 100/728619E
HMV(C) 56E - HMV(C) 92E	TMJL 50/TMJL 100/728619E
HMV(C) 94E - HMV(C) 200E	TMJL 50/728619E

Sempre que utilizar o Método de Accionamento da SKF, recomendam-se as seguintes bombas:

HMV(C) 10E ... 54E	729124 DU/TMJL 50DU/TMJL 100DU
HMV(C) 56E ... 92E	TMJL 50DU/TMJL 100DU
HMV(C) 94E ... 200E	TMJL 50DU

Nota: Todas as bombas DU são fornecidas com um indicador de pressão digital THGD 100 (0 - 100 MPa). O óleo com uma viscosidade de aproximadamente 300 mm²/s à temperatura de funcionamento, fluido de montagem LHM 300 da SKF por exemplo, deverá ser utilizado com uma pressão média. Ao ligar a bomba, certifique-se de que todo o ar é retirado do sistema hidráulico. Isto é efectuado através do bujão de esfera no ponto mais elevado e do bombeamento do óleo até que o óleo fique liberto de ar. O bujão de esfera é depois apertado e a porca está pronta a ser utilizada.

2.3 Montagem dos rolamentos

A porca deverá ser cuidadosamente apertada na secção roscada do eixo ou da manga até que a porca atinja o anel interno do rolamento (fig. 3, 4), a manga de ressalto (fig. 5), ou uma porca/placa de apoio especial (fig. 6). É importante que a rosca da porca hidráulica fique engatada o mais possível, mas não menos de 80 %. Caso isto não seja possível, é necessário um anel sobressalente para apoiar a porca. O pistão deverá então ser completamente retraído dentro da porca.

Montagem



*Figura 3.
Porca HMV para
colocar o rolamento
num assento côncavo*



*Figura 4.
Porca HMV para
colocar o rolamento
numa manga de
adaptação*



*Figura 5.
Porca HMV apertada
no eixo para
colocação numa
manga de ressalto*



*Figura 6.
Porca HMV e porca
de batente especial
colocação numa
manga de ressalto*

É utilizada uma bomba para fornecer óleo pressurizado à bomba. O curso permissível (deslocamento axial) foi escolhido para permitir montagem de todos os rolamento que tenham furos com conicidade de 1:12 ou 1:30 a ser montado numa única operação. A O deslocação permitida do pistão, que está indicada na parte externa do pistão, não deverá ser excedida. Depois de terminar a montagem, a válvula de retorno da bomba deverá ser aberta para que o óleo pressurizado possa sair da porca. Para esvaziar completamente a porca, o pistão deve voltar à sua posição inicial. Isto é facilmente alcançado apertando a porca até à parte superior do eixo ou da rosca da manga, fazendo com que o pistão se retraia. Isto faz com que o óleo volte para a bomba.

2.4 Desmontagem dos rolamentos

Na desmontagem dos rolamentos de rolos com manga de ressalto ou adaptadora, a porca hidráulica é apertada na rosca da manga até que assente no anel interno do rolamento (fig. 7) ou num anel de apoio especial (fig. 8). Ao deslocar o pistão, o casquilho é desmontado do furo do rolamento ou o rolamento é retirado do casquilho adaptador.

Desmontagem



*Figura 7.
Porca HMV utilizada para libertar a
manga de ressalto*



*Figura 8.
Porca HMV e anel de batente em posição
para retirar a manga adaptadora*

2.5 Método de Accionamento da SKF para a montagem de rolamentos com um furo cónico

A redução da folga radial interna foi medida durante a montagem dos rolamentos com um furo cónico. A precisão deste método está dependente da perícia do técnico ao utilizar indicadores de precisão aplicados na medição da redução de folgas. O Método de Accionamento da SKF melhora consideravelmente a fiabilidade e facilita a instalação de rolamento com furo cónico e pode ser utilizado para rolamentos autocompensadores de rolos, CARB®, e alguns rolamentos autocompensadores de esferas da SKF. Para ser possível utilizar este método, necessita de uma bomba com um indicador de pressão digital de alta precisão e um comparador (fig. 9). As bombas com o sufixo DU são fornecidas com um indicador digital com uma leitura a partir de 0-100 MPa.

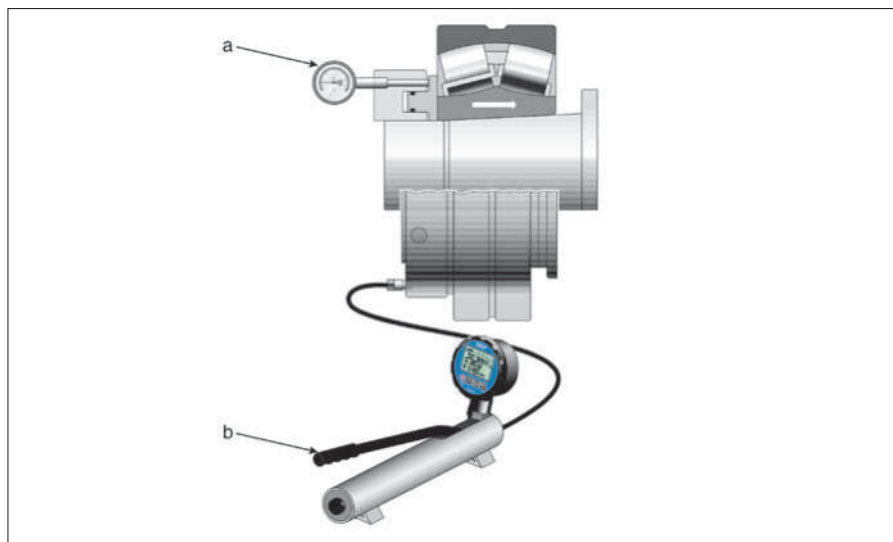


Figura 9. Comparador e bomba hidráulica

Comparador (fig. 9a)

Calibrados em milímetros	TMCD 10R / TMCD 5P
Calibrados em polegadas	TMCD 1/2R

Bombas hidráulicas com manômetro digital (fig. 9b)

0 - 100 MPa (0 - 15 000 psi)

Tamanho máximo da porca	HMV (C) 54E	HMV (C) 92E	HMV (C) 200E
Referência da bomba	729124 DU	TMJL 100DU	TMJL 50DU

Montagem

Etapa 1

Assegure-se de que o tamanho do rolamento é compatível com o tamanho da porca HMV(C) E. Por exemplo, para o rolamento 23936 CCK/W33 montado diretamente no eixo, utilizar HMV(C) 36E. Caso contrário, a pressão correspondente à posição inicial deve ser ajustada.

Etapa 2

Determine se uma ou duas superfícies deslizam durante a montagem. Veja as figuras 10 - 13.

Etapa 3

Coloque o rolamento na posição inicial aplicando a pressão hidráulica correcta na porca HMV(C) E. Veja figura 14. Como alternativa, o indicador de pressão digital da SKF pode ser apertado directamente na porca hidráulica. Coloque o rolamento à distância desejada do furo. Utilize um comparador para monitorizar o deslocamento axial.

A pressão hidráulica inicial (MPa/psi) e a guia axial (mm) podem ser encontradas na página skf.com/mount ou baixando-se o Programa SKF Drive-up Method PC na skf.com. Como alternativa, você também pode baixar o aplicativo SKF Drive-up Method na App Store ou no Google Play.

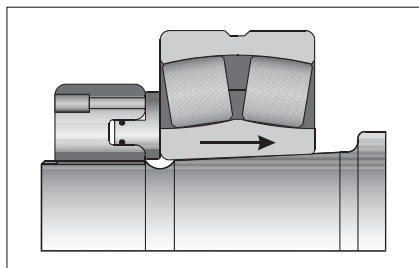


Figura 10. Uma superfície deslizante

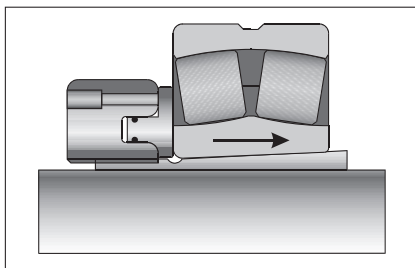


Figura 11. Uma superfície deslizante

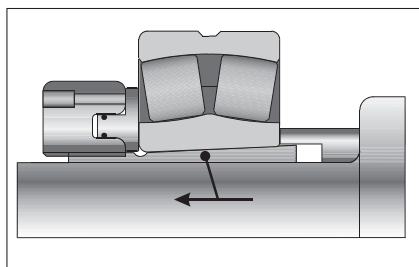


Figura 12. Duas superfícies deslizantes

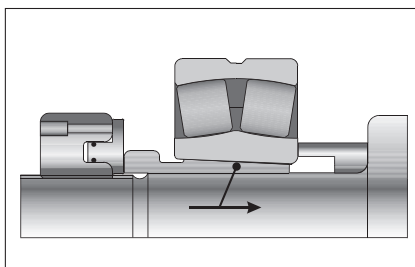


Figura 13. Duas superfícies deslizantes

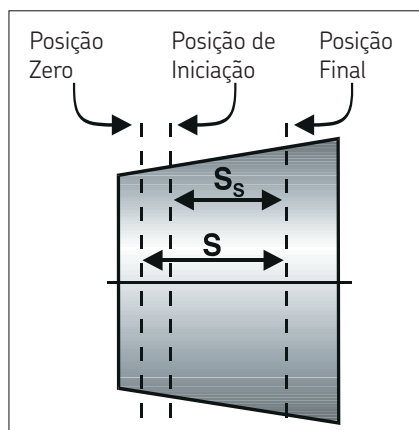


Figura 14. Posição do rolamento



3. Manutenção

Quando a porca não estiver a ser utilizada, deve ser protegida contra a ferrugem, e os orifícios de ligação do tubo deverão ser tapados para evitar a entrada de sujidade.

3.1 Em caso de fugas

Sempre que saia óleo da porca hidráulica quando o pistão é operado, isto geralmente significa que a vedação está rasgada ou danificada e deve ser substituída. Para isso, o pistão deve ser retirado do anel. Para facilitar esta operação, são disponibilizados três orifícios auxiliares com tampões na parte externa do anel. Utilizando pinos roscado fornecidos juntamente com a porca, o pistão pode ser retirado do anel (fig. 15). Os anéis são então removidos, as ranhuras limpas e são colocados novos anéis. Se necessário, pode utilizar massa lubrificante para manter os novos anéis na posição correcta durante a operação de substituição.

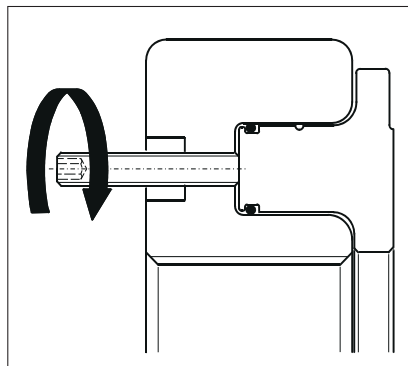


Figura 15. Empurrar o pistão para fora do anel

Também é fornecido juntamente com a porca um conjunto de peças sobressalentes de anéis. Póde adquirir anéis de substituição adicionais na SKF.

3.2 Peças de substituição

Descrição	Denominação
Anéis	Designação da porca seguida por /233983, por exemplo HMV 10/233983
Esfera	233950
Acessório de ligação rápida	729832 A
Parafusos de náilon para prender o mostrador (fornecido em pacotes com 10 peças)	HMVE M5x10 (tamanho de porca de 10...69) HMVE M5x17 (tamanho de porca 70 e maior)
Conjunto de manutenção (pinos roscados, anéis de cobre, chaves hexagonais)	HMVM 10/29 (tamanho da porca 10...29) HMVM 30/69 (tamanho da porca 30...69) HMVM 70/200 (tamanho da porca 70...200)

3.3 Accessories

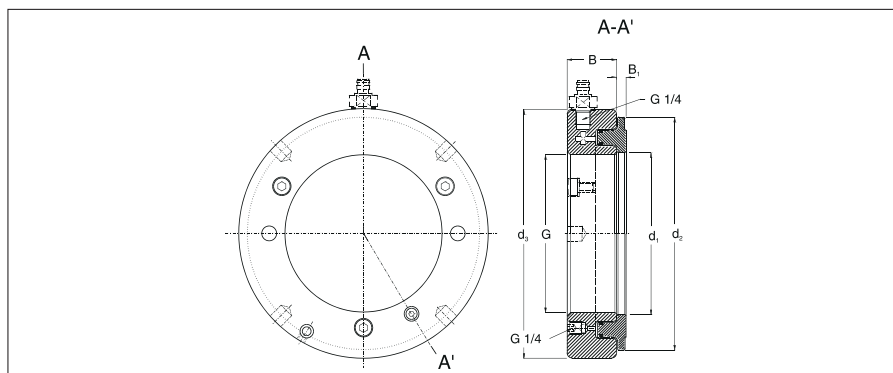
Descrição	Denominação
Fluido de montagem (5 litros)	LHMF 300/5
Comparador	TMCD 5P (comparador paralelo, 0-5 mm) TMCD 10R (comparador direito, 0-10 mm) TMCD 1/2R (comparador, 0 - 1/2 polegadas)

4. Dimensões

Nas tabelas que se seguem, as dimensões são apresentadas para porcas hidráulicas standard HMV...E (métricas) e HMVC...E (polegadas) da SKF.

As porcas também podem ser fabricadas noutros tamanhos, com roscas especiais, ou com furos não roscados. Se solicitado, podem ser fornecidas informações adicionais.

4.1 Porcas hidráulicas da série HMV...E



Roscas

HMV 10E - HMV 40E	ISO 965/III-1980, classe de tolerância 6H
HMV 41E - HMV 200E	ISO 2901-1977, classe de tolerância 7H

Roscas recomendadas

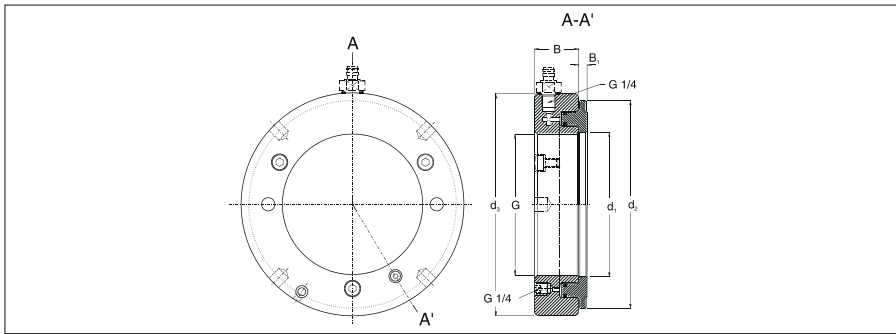
HMV 10E - HMV 40E	ISO 965/III-1980, classe de tolerância 6g
HMV 41E - HMV 200E	ISO 2901-1977, classe de tolerância 7e

Denominação	Dimensões						Deslocação permitida do pistão	Área do pistão	Peso
	G	d ₁	d ₂	d ₃	B	B ₁			
-	rosca	mm	mm	mm	mm	mm	mm	mm ²	kg
HMV 10E	M 50x1.5	50,5	104	114	38	4	5	2 900	2,70
HMV 11E	M 55x2	55,5	109	120	38	4	5	3 150	2,75
HMV 12E	M 60x2	60,5	115	125	38	5	5	3 300	2,80
HMV 13E	M 65x2	65,5	121	130	38	5	5	3 600	3,00
HMV 14E	M 70x2	70,5	127	135	38	5	5	3 800	3,20
HMV 15E	M 75x2	75,5	132	140	38	5	5	4 000	3,40
HMV 16E	M 80x2	80,5	137	146	38	5	5	4 200	3,70
HMV 17E	M 85x2	85,5	142	150	38	5	5	4 400	3,75
HMV 18E	M 90x2	90,5	147	156	38	5	5	4 700	4,00
HMV 19E	M 95x2	95,5	153	162	38	5	5	4 900	4,30
HMV 20E	M 100x2	100,5	158	166	38	6	5	5 100	4,40
HMV 21E	M 105x2	105,5	163	172	38	6	5	5 300	4,65
HMV 22E	M 110x2	110,5	169	178	38	6	5	5 600	4,95
HMV 23E	M 115x2	115,5	174	182	38	6	5	5 800	5,00
HMV 24E	M 120x2	120,5	179	188	38	6	5	6 000	5,25
HMV 25E	M 125x2	125,5	184	192	38	6	5	6 200	5,35
HMV 26E	M 130x2	130,5	190	198	38	6	5	6 400	5,65
HMV 27E	M 135x2	135,5	195	204	38	6	5	6 600	5,90
HMV 28E	M 140x2	140,5	200	208	38	7	5	6 800	6,00
HMV 29E	M 145x2	145,5	206	214	39	7	5	7 300	6,50
HMV 30E	M 150x2	150,5	211	220	39	7	5	7 500	6,60
HMV 31E	M 155x3	155,5	218	226	39	7	5	8 100	6,95
HMV 32E	M 160x3	160,5	224	232	40	7	6	8 600	7,60
HMV 33E	M 165x3	165,5	229	238	40	7	6	8 900	7,90
HMV 34E	M 170x3	170,5	235	244	41	7	6	9 400	8,40
HMV 36E	M 180x3	180,5	247	256	41	7	6	10 300	9,15
HMV 38E	M 190x3	191	259	270	42	8	7	11 500	10,5
HMV 40E	M 200x3	201	271	282	43	8	8	12 500	11,5
HMV 41E	Tr 205x4	207	276	288	43	8	8	12 800	12,0
HMV 42E	Tr 210x4	212	282	294	44	8	9	13 400	12,5
HMV 43E	Tr 215x4	217	287	300	44	8	9	13 700	13,0
HMV 44E	Tr 220x4	222	293	306	44	8	9	14 400	13,5
HMV 45E	Tr 225x4	227	300	312	45	8	9	15 200	14,5
HMV 46E	Tr 230x4	232	305	318	45	8	9	15 500	14,5
HMV 47E	Tr 235x4	237	311	326	46	8	10	16 200	16,0
HMV 48E	Tr 240x4	242	316	330	46	9	10	16 500	16,0
HMV 50E	Tr 250x4	252	329	342	46	9	10	17 600	17,5
HMV 52E	Tr 260x4	262	341	356	47	9	11	18 800	19,5
HMV 54E	Tr 270x4	272	352	368	48	9	12	19 800	20,5
HMV 56E	Tr 280x4	282	363	380	49	9	12	21 100	22,0
HMV 58E	Tr 290x4	292	375	390	49	9	13	22 400	22,5
HMV 60E	Tr 300x4	302	386	404	51	10	14	23 600	25,5

Denominação	Dimensões						Deslocação permitida do pistão	Área do pistão	Peso
	G	d ₁	d ₂	d ₃	B	B ₁			
-	rosca	mm	mm	mm	mm	mm	mm	mm ²	kg
HMV 62E	Tr 310x5	312	397	416	52	10	14	24 900	27,0
HMV 64E	Tr 320x5	322	409	428	53	10	14	26 300	29,5
HMV 66E	Tr 330x5	332	419	438	53	10	14	27 000	30,0
HMV 68E	Tr 340x5	342	430	450	54	10	14	28 400	31,5
HMV 69E	Tr 345x5	347	436	456	54	10	14	29 400	32,5
HMV 70E	Tr 350x5	352	442	464	56	10	14	29 900	35,0
HMV 72E	Tr 360x5	362	455	472	56	10	15	31 300	35,5
HMV 73E	Tr 365x5	367	460	482	57	11	15	31 700	38,5
HMV 74E	Tr 370x5	372	466	486	57	11	16	32 800	39,0
HMV 76E	Tr 380x5	382	476	498	58	11	16	33 500	40,5
HMV 77E	Tr 385x5	387	483	504	58	11	16	34 700	41,0
HMV 80E	Tr 400x5	402	499	522	60	11	17	36 700	45,5
HMV 82E	Tr 410x5	412	510	534	61	11	17	38 300	48,0
HMV 84E	Tr 420x5	422	522	546	61	11	17	40 000	50,0
HMV 86E	Tr 430x5	432	532	556	62	11	17	40 800	52,5
HMV 88E	Tr 440x5	442	543	566	62	12	17	42 500	54,0
HMV 90E	Tr 450x5	452	554	580	64	12	17	44 100	57,5
HMV 92E	Tr 460x5	462	565	590	64	12	17	45 100	60,0
HMV 94E	Tr 470x5	472	576	602	65	12	18	46 900	62,0
HMV 96E	Tr 480x5	482	587	612	65	12	19	48 600	63,0
HMV 98E	Tr 490x5	492	597	624	66	12	19	49 500	66,0
HMV 100E	Tr 500x5	502	609	636	67	12	19	51 500	70,0
HMV 102E	Tr 510x6	512	624	648	68	12	20	53 300	74,0
HMV 104E	Tr 520x6	522	634	658	68	13	20	54 300	75,0
HMV 106E	Tr 530x6	532	645	670	69	13	21	56 200	79,0
HMV 108E	Tr 540x6	542	657	682	69	13	21	58 200	81,0
HMV 110E	Tr 550x6	552	667	693	70	13	21	59 200	84,0
HMV 112E	Tr 560x6	562	678	704	71	13	22	61 200	88,0
HMV 114E	Tr 570x6	572	689	716	72	13	23	63 200	91,0
HMV 116E	Tr 580x6	582	699	726	72	13	23	64 200	94,0
HMV 120E	Tr 600x6	602	721	748	73	13	23	67 300	100
HMV 126E	Tr 630x6	632	754	782	74	14	23	72 900	110
HMV 130E	Tr 650x6	652	775	804	75	14	23	76 200	115
HMV 134E	Tr 670x6	672	796	826	76	14	24	79 500	120
HMV 138E	Tr 690x6	692	819	848	77	14	25	84 200	127
HMV 142E	Tr 710x7	712	840	870	78	15	25	87 700	135
HMV 150E	Tr 750x7	752	883	912	79	15	25	95 200	146
HMV 160E	Tr 800x7	802	936	965	80	16	25	103 900	161
HMV 170E	Tr 850x7	852	990	1 020	83	16	26	114 600	181
HMV 180E	Tr 900x7	902	1 043	1 075	86	17	30	124 100	205
HMV 190E	Tr 950x8	952	1 097	1 126	86	17	30	135 700	218
HMV 200E	Tr 1000x8	1 002	1 150	1 180	88	17	34	145 800	239

4.2 Porcas hidráulicas da série HMVC...E (roscas em polegas)

As porcas HMVC...E são fornecidas com um bocal de ligação rápida (729832 A) e um acessório roscado macho G 1/4 para uma fêmea NPT 3/8 (729106/100MPA).



Padrões das roscas tal como recomendado pela Anti-Friction Bearing Manufacturers Association (AFBMA) nos EUA:

HMVC 10-64E Roscas Classe 3 para a Forma Nacional Americana

HMVC 68-190E Roscas Classe 3 G para Utilização Geral ACME

	G	Diâmetro de oscilação	Roscas por polegada	d ₁	d ₂	d ₃	B	B ₁	Deslocação permitida do pistão	Área do pistão	Peso
-	in	in	-	in	in	in	in	in	in	in ²	lb
HMVC 10E	1 967	1 9309	18	2.0	4.1	4.5	1.5	0.16	0.20	4.5	6.0
HMVC 11E	2 157	2 1209	18	2.2	4.3	4.7	1.5	0.16	0.20	4.9	6.1
HMVC 12E	2 360	2 3239	18	2.4	4.5	4.9	1.5	0.20	0.20	5.1	6.2
HMVC 13E	2 548	2 5119	18	2.6	4.8	5.1	1.5	0.20	0.20	5.6	6.6
HMVC 14E	2 751	2 7149	18	2.8	5.0	5.3	1.5	0.20	0.20	5.9	7.1
HMVC 15E	2 933	2 8789	12	3.0	5.2	5.5	1.5	0.20	0.20	6.2	7.5
HMVC 16E	3 137	3 0829	12	3.2	5.4	5.7	1.5	0.20	0.20	6.5	8.2
HMVC 17E	3 340	3 2859	12	3.4	5.6	5.9	1.5	0.20	0.20	6.8	8.3
HMVC 18E	3 527	3 4729	12	3.6	5.8	6.1	1.5	0.20	0.20	7.3	8.8
HMVC 19E	3 730	3 6759	12	3.8	6.0	6.4	1.5	0.20	0.20	7.6	9.5
HMVC 20E	3 918	3 8639	12	4.0	6.2	6.5	1.5	0.24	0.20	7.9	9.7
HMVC 21E	4 122	4 0679	12	4.2	6.4	6.8	1.5	0.24	0.20	8.2	10.3
HMVC 22E	4 325	4 2709	12	4.4	6.7	7.0	1.5	0.24	0.20	8.7	10.9
HMVC 24E	4 716	4 6619	12	4.7	7.0	7.4	1.5	0.24	0.20	9.3	11.6
HMVC 26E	5 106	5 0519	12	5.1	7.5	7.8	1.5	0.24	0.20	9.9	12.5
HMVC 28E	5 497	5 4429	12	5.5	7.9	8.2	1.5	0.28	0.20	10.5	13.2
HMVC 30E	5 888	5 8339	12	5.9	8.3	8.7	1.5	0.28	0.20	11.6	14.6
HMVC 32E	6 284	6 2028	8	6.3	8.8	9.1	1.6	0.28	0.24	13.3	16.8
HMVC 34E	6 659	6 5778	8	6.7	9.3	9.6	1.6	0.28	0.24	14.6	18.5
HMVC 36E	7 066	6 9848	8	7.1	9.7	10.1	1.6	0.28	0.24	16.0	20.2
HMVC 38E	7 472	7 3908	8	7.5	10.2	10.6	1.7	0.31	0.28	17.8	23.1

	G	Diâmetro de oscilação		Roscas por polegada			B		Deslocação permitida do pistão		Área do pistão in ²	Peso lb
		in	in	d ₁	d ₂	d ₃	in	in	in	in		
HMVC 40E	7 847	7 7658	8	7.9	10.7	11.1	1.7	0.31	0.31	19.4	25.4	
HMVC 44E	8 628	8 5468	8	8.7	11.5	12.0	1.7	0.31	0.35	22.3	29.8	
HMVC 48E	9 442	9 3337	6	9.5	12.4	13.0	1.8	0.35	0.39	25.6	35.3	
HMVC 52E	10 192	10 0837	6	10.3	13.4	14.0	1.9	0.35	0.43	29.1	41.9	
HMVC 54E	10 604	10 4960	6	10.7	13.9	14.5	1.9	0.35	0.47	30.7	45.2	
HMVC 56E	11 004	10 8957	6	11.1	14.3	15.0	1.9	0.35	0.47	32.7	48.5	
HMVC 60E	11 785	11 6767	6	11.9	15.2	15.9	2.0	0.39	0.55	36.6	56.2	
HMVC 64E	12 562	12 4537	6	12.7	16.1	16.9	2.1	0.39	0.55	40.8	65.0	
HMVC 68E	13 339	13 2190	5	13.5	16.9	17.7	2.1	0.39	0.55	44.0	69.4	
HMVC 72E	14 170	14 0500	5	14.3	17.9	18.6	2.2	0.39	0.59	48.5	78.3	
HMVC 76E	14 957	14 8370	5	15.0	18.7	19.6	2.3	0.43	0.63	51.9	89.3	
HMVC 80E	15 745	15 6250	5	15.8	19.6	20.6	2.4	0.43	0.67	56.9	100	
HMVC 84E	16 532	16 4120	5	16.6	20.6	21.5	2.4	0.43	0.67	62.0	110	
HMVC 88E	17 319	17 1990	5	17.4	21.4	22.3	2.4	0.47	0.67	65.9	119	
HMVC 92E	18 107	17 9870	5	18.2	22.2	23.3	2.5	0.47	0.67	69.9	132	
HMVC 96E	18 894	18 7740	5	19.0	23.1	24.1	2.6	0.47	0.75	75.3	139	
HMVC 100E	19 682	19 5620	5	19.8	24.0	25.0	2.6	0.47	0.75	79.8	154	
HMVC 106E	20 867	20 7220	4	20.9	25.4	26.4	2.7	0.51	0.83	87.1	174	
HMVC 112E	22 048	21 9030	4	22.1	26.7	27.7	2.8	0.51	0.87	94.9	194	
HMVC 120E	23 623	23 4780	4	23.7	28.4	29.4	2.9	0.51	0.91	104.3	220	
HMVC 126E	24 804	24 6590	4	24.9	29.7	30.8	2.9	0.55	0.91	113.0	243	
HMVC 134E	26 379	26 2340	4	26.5	31.3	32.5	3.0	0.55	0.94	123.2	265	
HMVC 142E	27 961	27 7740	3	28.0	33.1	34.3	3.1	0.59	0.98	135.9	298	
HMVC 150E	29 536	29 3490	3	29.6	34.8	35.9	3.1	0.59	0.98	147.6	322	
HMVC 160E	31 504	31 3170	3	31.6	36.9	38.0	3.1	0.63	0.98	161.0	355	
HMVC 170E	33 473	33 2860	3	33.5	39.0	40.2	3.3	0.63	1.02	177.6	399	
HMVC 180E	35 441	35 2540	3	35.5	41.1	42.3	3.4	0.67	1.18	192.4	452	
HMVC 190E	37 410	37 2230	3	37.5	43.2	44.3	3.4	0.67	1.18	210.3	481	

5. Armazenamento

Armazenamento em um local seco, livre de poeira e bem ventilado

- Vida útil: máx. 24 meses
- Umidade relativa: < 65 %
- Temperatura de armazenamento: +10 ... +40 °C
- Longe de luz solar direta ou radiação UV
- Proteção de fontes próximas de calor ou frio

6. Transporte

O transporte de produtos é feito na embalagem do fabricante por todos os meios de transporte em qualquer distância.

Os produtos devem ser acondicionados em embalagens e outros componentes e materiais que protegem o produto contra danos e perda, de modo a garantir sua segurança durante o transporte, recarregamento, transporte e armazenamento.

Содержание

Декларация соответствия нормам ЕС.....	100
Рекомендации по безопасности	101
1. Описание	102
1.1 Принцип работы	102
1.2 Нагрузочная способность.....	102
2. Инструкция по эксплуатации.....	103
2.1 Применение гаек.....	103
2.2 Создание давления	104
2.3 Монтаж подшипника	104
2.4 Демонтаж подшипника.....	105
2.5 SKF Drive-up метод для монтажа подшипников с коническим отверстием.....	105
3. Обслуживание	108
3.1 В случае утечки	108
3.2 Запасные части	108
3.3 Дополнительный принадлежности.....	109
4. Размеры.....	109
4.1 Гидравлические гайки серии НМV..Е	109
4.2 Гидрогайки НМVС..Е серий (дюймовая резьба)	112
5. Хранение	114
6. Транспортировка	114

Перевод инструкции по эксплуатации

Декларация соответствия нормам ЕС HMV / HMVC

Мы, SKF MPT, Meidoornkade 14, 3992 AE Houten, The Netherlands (Нидерланды) настоящим подтверждаем, что продукция, описанная в данной инструкции по эксплуатации, соответствует условиям следующей директивы (директив):
ДИРЕКТИВА 2006/42/ЕС О БЕЗОПАСНОСТИ МАШИН И ОБОРУДОВАНИЯ
и соответствует следующим стандартам:
EN-ISO 12100:2010,
EN-ISO 4413:2010.

Хаутен, Нидерланды, Ноябрь 2021 г.



Mrs. Andrea Gondová
Андреа Гондова
Руководитель отдела контроля и гарантии качества





Рекомендации по безопасности

Так как используется давление/силы, могущие привести к нарушению безопасности, то необходимо выполнять следующие требования:

- Только персонал, прошедший обучение, должен выполнять работы с этим оборудованием.
- Всегда необходимо следовать данной инструкции.
- Всегда тщательно осматривайте гайки и аксессуары перед использованием. Никогда не используйте даже слегка поврежденные компоненты.
- Всегда убеждайтесь в отсутствии в гидравлической системе воздуха перед созданием давления.
- Не используйте гидрогайки ни для чего, кроме монтажа/демонтажа подшипников.
- Всегда используйте манометр.
- Используйте приспособления, для ограничения перемещения демонтируемых деталей (например гайки).
- Никогда не превышайте разрешенный ход поршня.
- Используйте защитные очки.
- Не ремонтируйте оборудова.
- Используйте только оригинальные детали.
- Используйте только чистое, рекомендованное гидравлическое масло (например SKF LHM 300 или аналогичное)
- С гайками необходимо обращаться в соответствии с местными правилами о безопасности.
- Стальные стропы для подъема не должны применяться непосредственно к гайке, т.к. это может привести к повреждению резьбы.
- Все болты должны быть тщательно затянуты.
- В случае, если Вы не уверены в правильности Ваших действий по применению гидрогаек, обратитесь в SKF.

1. Описание

1.1 Принцип работы

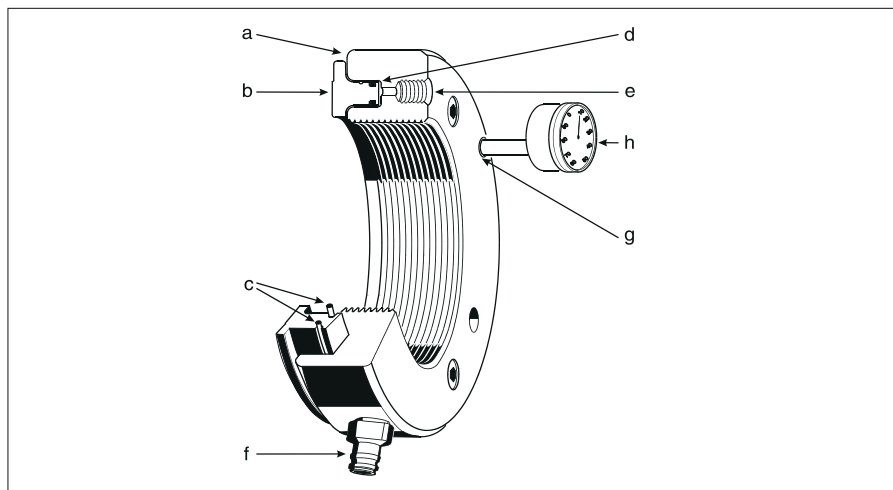


Рисунок 1. Части гидравлической гайки

Гидрогайка создает осевое усилие при монтаже/демонтаже подшипников качения с коническим отверстием. Она состоит из двух главных частей: стальное кольцо (рис. 1 a) с внутренней резьбой и желобом на наружной стороне, и кольцевой поршень (рис. 1 b), находящимся в желобе. Уплотнение, между двумя этими частями, состоит из двух O-образных колец. При нагнетании масла в полость давления (рис. 1 d), поршень давит наружу с силой, достаточной для монтажа/демонтажа подшипников качения. В наружном кольце гайки находится отверстие (рис. 1 g), предназначенное для установки индикатора (рис. 1 h). Наконечник индикатора будет упираться в запечник поршня, и индикатор будет показывать его перемещение.

(Примечание. Величина осевого смещения может использоваться для определения правильности монтажа — см. страницу skf.com/mount или скачайте «Программу расчёта для метода SKF Drive-up» на сайте skf.ru. Приложение для метода SKF Drive-up также доступно для скачивания в App Store® или Google Play™).

В стальном кольце есть два отверстия с резьбой для присоединения шлангов насоса: одного в лицевую сторону (рис. 1 e), а второго в круглой стороне (рис. 1 f). Отверстие, которое не используется, должно быть закрыто специальной заглушкой, которая поставляется вместе с гайкой. Отверстие, используемое для присоединения шланга, должно быть соединено с ниппелем 729832A, поставляемого с гайкой. Запасной комплект O-колец, комплект для техобслуживания, и ключ для затягивания гайки, входят в комплект стандартных аксессуаров.

1.2 Нагрузочная способность

Гидрогайки SKF разработаны и предназначены выдерживать давление, необходимое для монтажа/демонтажа подшипников.

Величина максимального давления масла с допустимым смещением поршня, которое можно прикладывать к гайками серии HMV:

HMV 10 - 60	80 МПа (11 600 psi)
HMV 62 - 100	40 МПа (5 800 psi)
HMV 102 - 200	25 МПа (3 600 psi)

2. Инструкция по эксплуатации

2.1 Применение гаек

Для обеспечения легкой и надежной установки необходимо, чтобы гайка была точно отцентрирована на резьбовом соединении перед вращением.

Гайки большого размера необходимо поддерживать в течение установки. Одним из способов для этого является использование специальных приспособлений, таких как на рис. 2. При монтаже подшипника на втулку будьте уверены, что втулка прямая. Всегда смазывайте резьбу перед навинчиванием гайки.

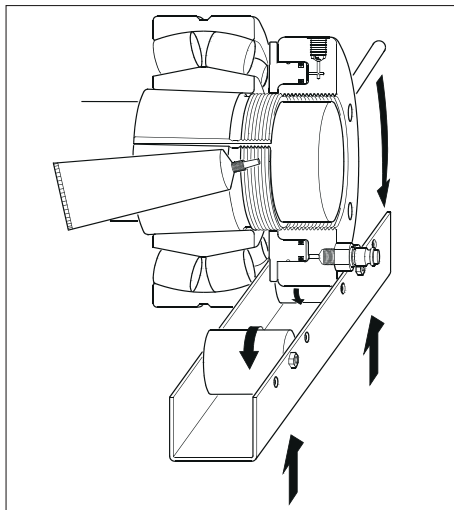


Рисунок 2. Держатель для больших гидрогаек

Для навинчивания гаек на вал или втулку используйте ключ. Для этого его необходимо вставить в одно из четырех отверстий, расположенных на цилиндрической стороне гайки, или в одно из двух отверстий на внешней стороне.

Гайки HMV (C) 94E имеют возможность присоединять два болта с проушиной. Один или оба этих болта используются для безопасной транспортировки гаек. Размер болтов показан в таблице:

Гайки HMV(C) ..E размеров	Размер болтов (DIN 580)
94 - 130	M10
134 - 160	M12
170 - 200	M16

Для облегчения монтажа гаек размера HMV(C) 94E и больше, на окружности гайки отмечена стрелка, показывающая положение первого витка.

2.2 Создание давления

SKF представляет большой диапазон насосов, дополняющих диапазон гаек HMV (C)..E.

Ниже представлен перечень насосов, рекомендованных для различных гаек:

HMV(C) 10E - HMV(C) 54E	729124/TMJL 50/TMJL 100/728619E
HMV(C) 56E - HMV(C) 92E	TMJL 50/TMJL 100/728619E
HMV(C) 94E - HMV(C) 200E	TMJL 50/728619E

При использовании SKF Drive-up метода рекомендуется использовать следующие насосы:

HMV(C) 10E ... 54E	729124 DU/TMJL 50DU/TMJL 100DU
HMV(C) 56E ... 92E	TMJL 50DU/TMJL 100DU
HMV(C) 94E ... 200E	TMJL 50DU

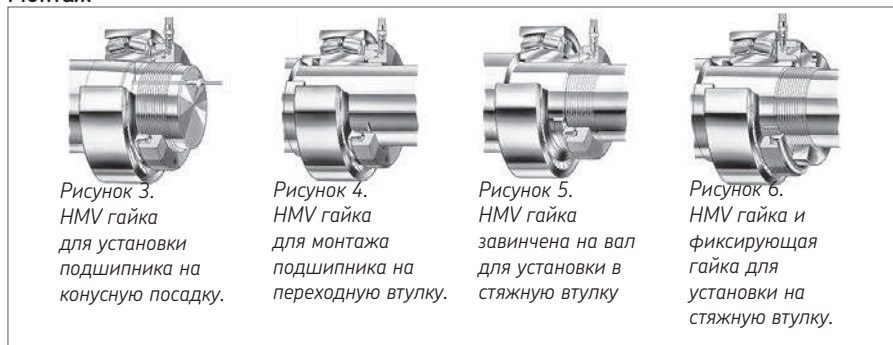
Замечание: Все насосы DU комплектуются цифровым манометром THGD 100 (0 - 100 МПа). Необходимо использовать масло, которое имеет среднюю вязкость при рабочей температуре 300 мм²/с, например монтажное масло SKF LHMФ 300.

При присоединении насоса, необходимо убедиться в отсутствии в гидросистеме воздуха. Для этого присоединяйте шланг подачи масла тогда, когда разъем находится сверху гайки, чтоб избежать запыриания остатков воздуха в системе. Затем затяните разъем, и гайка будет готова к работе.

2.3 Монтаж подшипника

Гайку необходимо завернуть на резьбовую часть вала или втулки до тех пор, пока она не достигнет внутреннего кольца подшипника (рис. 3,4), стяжной втулки (рис. 5), или специальной фиксирующей гайки/пластины (рис. 6). Это необходимо сделать так тщательно, как возможно, но не более чем 80 % резьбы гидрогайки должно быть занято. Если это невозможно, то необходимо поддерживающее кольцо. Затем клапан необходимо полностью вернуть в гайку.

Монтаж



Насос используется с рекомендуемым маслом для гайки. Выбранная допустимой величина хода (осевое перемещение) позволяет монтировать все подшипники, имеющие кону 1:12 или 1:30, монтировать за одну операцию. Выбранное положение поршня, которое показано на внутренней стороне канавки поршня, нельзя превосходить. После того, как монтаж завершен, возвратный клапан насоса необходимо открыть, чтобы закачанное масло вытекло из гайки. Для опустошения гайки поршень необходимо вернуть в исходное положение. Легче всего этого добиться, навинчивая гайку дальше по резьбе вала или втулки до возвращения поршня в исходное положение. В этом случае масло вернется в насос.

2.4 Демонтаж подшипника

При демонтаже подшипников качения с переходной или стяжной втулки, гидрогайка навинчивается на резьбу втулки, до момента касания внутреннего кольца подшипника (Рис. 7), или специального поддерживающего кольца (Рис. 8).

Демонтаж



Рисунок 7.
HMV используется для освобождения
стяжной втулки.



Рисунок 8.
HMV гайка и стопорное кольцо в
положении для сдавливания переходной
втулки.

2.5 SKF Drive-up метод для монтажа подшипников с коническим отверстием

Традиционно радиальный внутренний зазор снизится при монтаже подшипников с коническим отверстием. Точность этого метода сильно зависит от правильности применения манометра при измерении снижения зазора. SKF Drive-up метод повышает надежность и облегчает монтаж подшипников с коническим отверстием и может применяться со сферическими роликоподшипниками SKF, SKF CARB®, и некоторыми SKF шарикоподшипниками. Для использования этого метода необходимо применять насос с высокоточным цифровым манометром и индикатором (Рис. 9). Насосы с суффиксом DU поставляются с манометром от 0 до 100 МПа (от 0 до 15 000 psi).

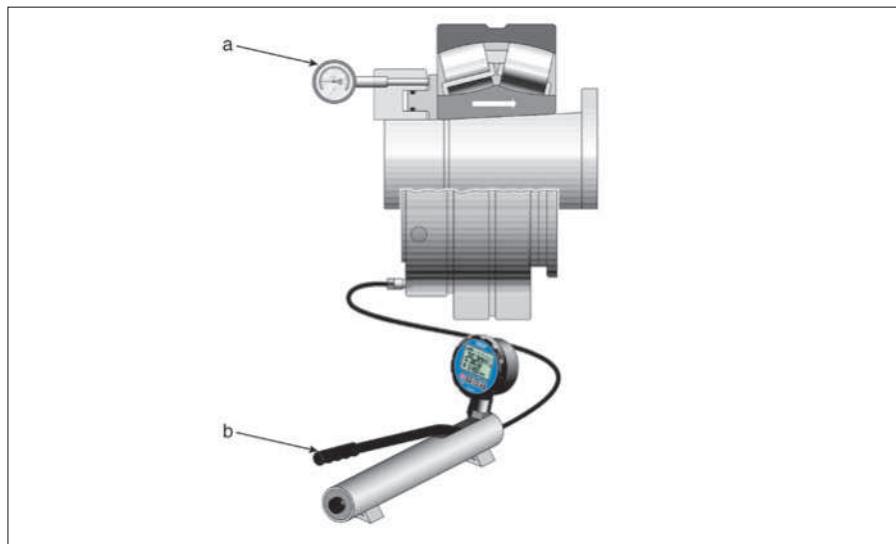


Рисунок 9. Индикатор и гидронасос

Индикатор (Рис. 9а)

Калиброванный в миллиметрах

TMCD 10R / TMCD 5P

Калиброванный в дюймах

TMCD 1/2R

Гидравлический насос с цифровым манометром (рис. 9b)

0 - 100 МПа (0 - 15 000 psi)

Максимальный размер гайки

HMV (C) 54E

HMV (C) 92E

HMV (C) 200E

Характеристики насоса

729124 DU

TMJL 100DU

TMJL 50DU

Монтаж шаг за шагом

Шаг 1

Убедитесь что размер гайки HMV (C) E соответствует размеру подшипника. Например, для подшипника 23936 ССК/W33 используется HMV(C)36E. В противном случае давление для стартовой позиции должно быть скорректировано.

Шаг 2

Определите одна, или две скользящих поверхности будут при монтаже, смотри Рис. 10 - 13.

Шаг 3

Двигайте подшипник до стартовой позиции применяя давление гайки

HMV(C)E. Смотри Рис. 14. Как альтернатива манометр SKF может быть ввинчен непосредственно в гайку. Двигайте подшипник по резьбе на требуемое расстояние. Используйте индикатор для определения величины перемещения. Для получения величин начального гидравлического давления (МПа/фунты/дюйм²) и осевого смещения (мм) посетите страницу skf.com/mount или скачайте «Программу расчёта для метода SKF Drive-up» на сайте skf.ru. Приложение для метода SKF Drive-up также доступно для скачивания в App Store или Google Play).

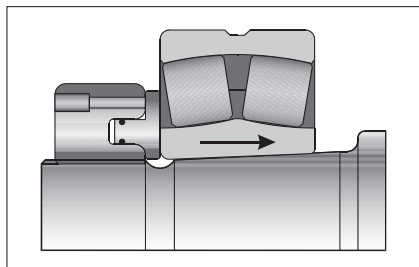


Рисунок 10. Одна поверхность скольжения скольжения.

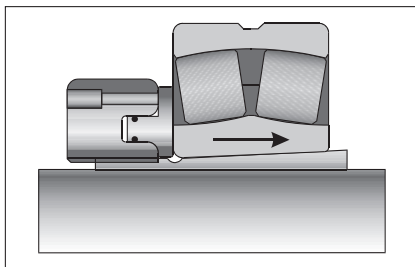


Рисунок 11. Одна поверхность скольжения.

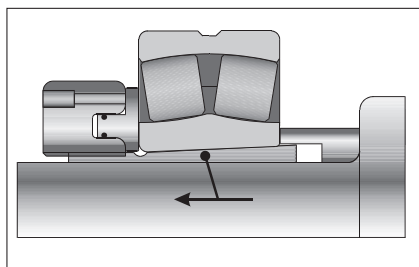


Рисунок 12. Две поверхности скольжения

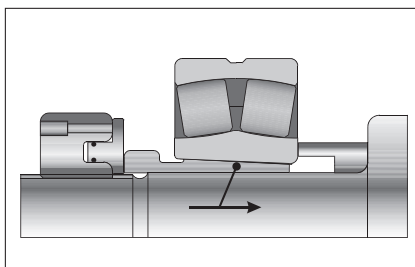


Рисунок 13. Две поверхности скольжения

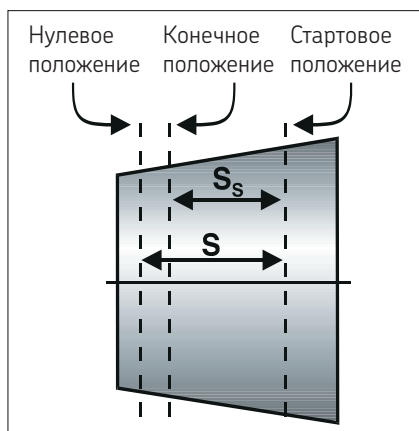


Рисунок 14. Положение подшипника



3. Обслуживание

Когда гайка не используется, ее необходимо предохранять от коррозии, а соединительные отверстия необходимо держать закрытыми для предотвращения попадания грязи.

3.1 В случае утечки

Если масло вытекает из гайки при функционирующем клапане, то обычно это означает что уплотнение повреждено и его необходимо заменить. Чтобы сделать это, необходимо вытолкнуть поршень из гайки. Для облегчения этой работы сделаны три отверстия с закрытыми ниппелями по всей поверхности кольца. Используя шпильку с резьбой, поставляемую с гайкой, поршень можно вытолкнуть из гайки (Рис. 15).

Затем O - образное кольцо необходимо снять, почистить паз и установить туда новое кольцо. Запасные комплекты O – образных колец также поставляются вместе с гайками. Дополнительные запасные кольца можно заказать в SKF.

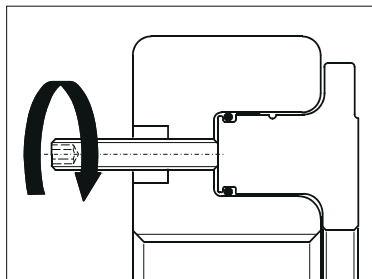


Рисунок 15. Выталкивание поршня из гайки

3.2 Запасные части

Описание	Обозначение
O-кольца	Обозначение гайки /233983, например HMV 10/233983
Шариковый коннектор	233950
Соединительный ниппель	729832 A
Нейлоновые винты для крепления индикатора часового типа (поставляются в упаковках по 10 шт.)	HMVE M5x10 (для размера гайки от 10...69) HMVE M5x17 (для размера гайки 70 и больше)
Комплект для ехобслуживания (шпилька с резьбой, медные кольца, Шестигранный ключ)	HMVM 10/29 (размер гайки 10...29) HMVM 30/69 (размер гайки 30...69) HMVM 70/200 (размер гайки 70...200)

3.3 Дополнительный принадлежности

Описание	Обозначение
Монтажное масло (5 литров)	LHMF 300/5
Индикатор	TMCD 5P (параллельный циферблат, 0-5 мм) TMCD 10R (циферблат с правой стороны, 0-10 мм) TMCD 1/2R (циферблат с правой стороны, 0 - 1/2 д)

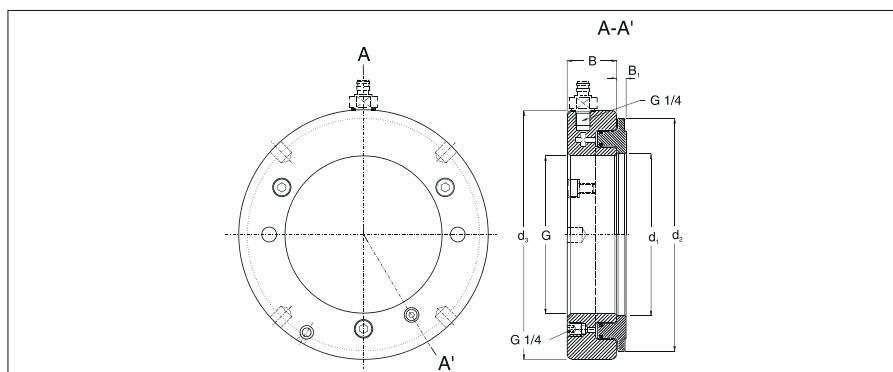
4. Размеры

В нижеследующих таблицах указаны размеры стандартных гидрогаек SKF HMV..E (метрических), HMV..C (дюймовых).

Также могут быть изготовлены гайки других размеров, со специальной резьбой или с необработанными отверстиями.

Подробную информацию компания SKF может предоставить по запросу.

4.1 Гидравлические гайки серии HMV..E



Резьбы

HMV 10E - HMV 40E

ISO 965/III-1980, класс точности 6H

HMV 41E - HMV 200E

ISO 2901-1977, класс точности 7H

Рекомендованная пригонка резьб

HMV 10E - HMV 40E

ISO 965/III-1980, класс точности 6g

HMV 41E - HMV 200E

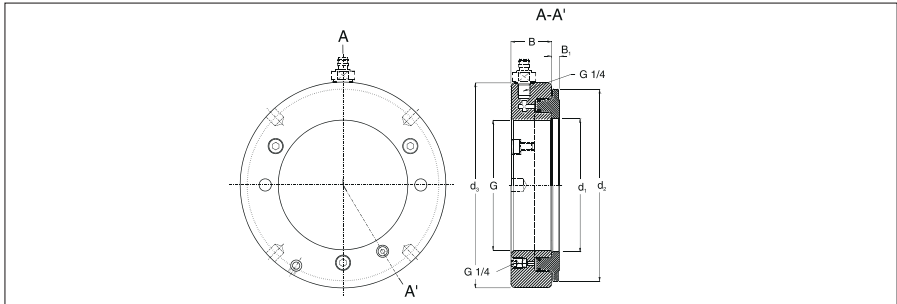
ISO 2901-1977, класс точности 7e

Обозначение	Размеры						Смещение поршня	Область поршня	Вес
	G	d ₁	d ₂	d ₃	B	B ₁			
-	Резьбы	мм	мм	мм	мм	мм	мм	мм ²	кг
HMV 10E	M 50x1.5	50,5	104	114	38	4	5	2 900	2,70
HMV 11E	M 55x2	55,5	109	120	38	4	5	3 150	2,75
HMV 12E	M 60x2	60,5	115	125	38	5	5	3 300	2,80
HMV 13E	M 65x2	65,5	121	130	38	5	5	3 600	3,00
HMV 14E	M 70x2	70,5	127	135	38	5	5	3 800	3,20
HMV 15E	M 75x2	75,5	132	140	38	5	5	4 000	3,40
HMV 16E	M 80x2	80,5	137	146	38	5	5	4 200	3,70
HMV 17E	M 85x2	85,5	142	150	38	5	5	4 400	3,75
HMV 18E	M 90x2	90,5	147	156	38	5	5	4 700	4,00
HMV 19E	M 95x2	95,5	153	162	38	5	5	4 900	4,30
HMV 20E	M 100x2	100,5	158	166	38	6	5	5 100	4,40
HMV 21E	M 105x2	105,5	163	172	38	6	5	5 300	4,65
HMV 22E	M 110x2	110,5	169	178	38	6	5	5 600	4,95
HMV 23E	M 115x2	115,5	174	182	38	6	5	5 800	5,00
HMV 24E	M 120x2	120,5	179	188	38	6	5	6 000	5,25
HMV 25E	M 125x2	125,5	184	192	38	6	5	6 200	5,35
HMV 26E	M 130x2	130,5	190	198	38	6	5	6 400	5,65
HMV 27E	M 135x2	135,5	195	204	38	6	5	6 600	5,90
HMV 28E	M 140x2	140,5	200	208	38	7	5	6 800	6,00
HMV 29E	M 145x2	145,5	206	214	39	7	5	7 300	6,50
HMV 30E	M 150x2	150,5	211	220	39	7	5	7 500	6,60
HMV 31E	M 155x3	155,5	218	226	39	7	5	8 100	6,95
HMV 32E	M 160x3	160,5	224	232	40	7	6	8 600	7,60
HMV 33E	M 165x3	165,5	229	238	40	7	6	8 900	7,90
HMV 34E	M 170x3	170,5	235	244	41	7	6	9 400	8,40
HMV 36E	M 180x3	180,5	247	256	41	7	6	10 300	9,15
HMV 38E	M 190x3	191	259	270	42	8	7	11 500	10,5
HMV 40E	M 200x3	201	271	282	43	8	8	12 500	11,5
HMV 41E	Tr 205x4	207	276	288	43	8	8	12 800	12,0
HMV 42E	Tr 210x4	212	282	294	44	8	9	13 400	12,5
HMV 43E	Tr 215x4	217	287	300	44	8	9	13 700	13,0
HMV 44E	Tr 220x4	222	293	306	44	8	9	14 400	13,5
HMV 45E	Tr 225x4	227	300	312	45	8	9	15 200	14,5
HMV 46E	Tr 230x4	232	305	318	45	8	9	15 500	14,5
HMV 47E	Tr 235x4	237	311	326	46	8	10	16 200	16,0
HMV 48E	Tr 240x4	242	316	330	46	9	10	16 500	16,0
HMV 50E	Tr 250x4	252	329	342	46	9	10	17 600	17,5
HMV 52E	Tr 260x4	262	341	356	47	9	11	18 800	19,5
HMV 54E	Tr 270x4	272	352	368	48	9	12	19 800	20,5
HMV 56E	Tr 280x4	282	363	380	49	9	12	21 100	22,0
HMV 58E	Tr 290x4	292	375	390	49	9	13	22 400	22,5
HMV 60E	Tr 300x4	302	386	404	51	10	14	23 600	25,5

Обозначение	Размеры						Смещение поршня	Область поршня	Вес
	G	d ₁	d ₂	d ₃	B	B ₁			
-	Резьбы	мм	мм	мм	мм	мм	мм	мм ²	кг
HMV 62E	Tr 310x5	312	397	416	52	10	14	24 900	27,0
HMV 64E	Tr 320x5	322	409	428	53	10	14	26 300	29,5
HMV 66E	Tr 330x5	332	419	438	53	10	14	27 000	30,0
HMV 68E	Tr 340x5	342	430	450	54	10	14	28 400	31,5
HMV 69E	Tr 345x5	347	436	456	54	10	14	29 400	32,5
HMV 70E	Tr 350x5	352	442	464	56	10	14	29 900	35,0
HMV 72E	Tr 360x5	362	455	472	56	10	15	31 300	35,5
HMV 73E	Tr 365x5	367	460	482	57	11	15	31 700	38,5
HMV 74E	Tr 370x5	372	466	486	57	11	16	32 800	39,0
HMV 76E	Tr 380x5	382	476	498	58	11	16	33 500	40,5
HMV 77E	Tr 385x5	387	483	504	58	11	16	34 700	41,0
HMV 80E	Tr 400x5	402	499	522	60	11	17	36 700	45,5
HMV 82E	Tr 410x5	412	510	534	61	11	17	38 300	48,0
HMV 84E	Tr 420x5	422	522	546	61	11	17	40 000	50,0
HMV 86E	Tr 430x5	432	532	556	62	11	17	40 800	52,5
HMV 88E	Tr 440x5	442	543	566	62	12	17	42 500	54,0
HMV 90E	Tr 450x5	452	554	580	64	12	17	44 100	57,5
HMV 92E	Tr 460x5	462	565	590	64	12	17	45 100	60,0
HMV 94E	Tr 470x5	472	576	602	65	12	18	46 900	62,0
HMV 96E	Tr 480x5	482	587	612	65	12	19	48 600	63,0
HMV 98E	Tr 490x5	492	597	624	66	12	19	49 500	66,0
HMV 100E	Tr 500x5	502	609	636	67	12	19	51 500	70,0
HMV 102E	Tr 510x6	512	624	648	68	12	20	53 300	74,0
HMV 104E	Tr 520x6	522	634	658	68	13	20	54 300	75,0
HMV 106E	Tr 530x6	532	645	670	69	13	21	56 200	79,0
HMV 108E	Tr 540x6	542	657	682	69	13	21	58 200	81,0
HMV 110E	Tr 550x6	552	667	693	70	13	21	59 200	84,0
HMV 112E	Tr 560x6	562	678	704	71	13	22	61 200	88,0
HMV 114E	Tr 570x6	572	689	716	72	13	23	63 200	91,0
HMV 116E	Tr 580x6	582	699	726	72	13	23	64 200	94,0
HMV 120E	Tr 600x6	602	721	748	73	13	23	67 300	100
HMV 126E	Tr 630x6	632	754	782	74	14	23	72 900	110
HMV 130E	Tr 650x6	652	775	804	75	14	23	76 200	115
HMV 134E	Tr 670x6	672	796	826	76	14	24	79 500	120
HMV 138E	Tr 690x6	692	819	848	77	14	25	84 200	127
HMV 142E	Tr 710x7	712	840	870	78	15	25	87 700	135
HMV 150E	Tr 750x7	752	883	912	79	15	25	95 200	146
HMV 160E	Tr 800x7	802	936	965	80	16	25	103 900	161
HMV 170E	Tr 850x7	852	990	1 020	83	16	26	114 600	181
HMV 180E	Tr 900x7	902	1 043	1 075	86	17	30	124 100	205
HMV 190E	Tr 950x8	952	1 097	1 126	86	17	30	135 700	218
HMV 200E	Tr 1000x8	1 002	1 150	1 180	88	17	34	145 800	239

4.2 Гидрогайки HMVC..E серий (дюймовая резьба)

Гайки HMVC..E комплектуются двумя ниппелями (729832 A) и ниппелями с резьбой G 1/4 и NPT 3/8 (729106/100MPA).



Стандарты резьбы рекомендованы Anti-Friction Bearing Manufacturers Association (AFBMA) в США:

HMVC 10-64E American National Form Threads Class 3
 HMVC 68-190E ACME General Purpose Threads Class 3 G

G	Диаметр делительной окружности		Витков на d	d ₁	d ₂	d ₃	B	V ₁	Смещение поршня	Область поршня	Вес
	д	д		д	д	д	д	д			
-	д	д	-	д	д	д	д	д	д	д ²	Ф
HMVC 10E	1 967	1 9309	18	2.0	4.1	4.5	1.5	0.16	0.20	4.5	6.0
HMVC 11E	2 157	2 1209	18	2.2	4.3	4.7	1.5	0.16	0.20	4.9	6.1
HMVC 12E	2 360	2 3239	18	2.4	4.5	4.9	1.5	0.20	0.20	5.1	6.2
HMVC 13E	2 548	2 5119	18	2.6	4.8	5.1	1.5	0.20	0.20	5.6	6.6
HMVC 14E	2 751	2 7149	18	2.8	5.0	5.3	1.5	0.20	0.20	5.9	7.1
HMVC 15E	2 933	2 8789	12	3.0	5.2	5.5	1.5	0.20	0.20	6.2	7.5
HMVC 16E	3 137	3 0829	12	3.2	5.4	5.7	1.5	0.20	0.20	6.5	8.2
HMVC 17E	3 340	3 2859	12	3.4	5.6	5.9	1.5	0.20	0.20	6.8	8.3
HMVC 18E	3 527	3 4729	12	3.6	5.8	6.1	1.5	0.20	0.20	7.3	8.8
HMVC 19E	3 730	3 6759	12	3.8	6.0	6.4	1.5	0.20	0.20	7.6	9.5
HMVC 20E	3 918	3 8639	12	4.0	6.2	6.5	1.5	0.24	0.20	7.9	9.7
HMVC 21E	4 122	4 0679	12	4.2	6.4	6.8	1.5	0.24	0.20	8.2	10.3
HMVC 22E	4 325	4 2709	12	4.4	6.7	7.0	1.5	0.24	0.20	8.7	10.9
HMVC 24E	4 716	4 6619	12	4.7	7.0	7.4	1.5	0.24	0.20	9.3	11.6
HMVC 26E	5 106	5 0519	12	5.1	7.5	7.8	1.5	0.24	0.20	9.9	12.5
HMVC 28E	5 497	5 4429	12	5.5	7.9	8.2	1.5	0.28	0.20	10.5	13.2
HMVC 30E	5 888	5 8339	12	5.9	8.3	8.7	1.5	0.28	0.20	11.6	14.6
HMVC 32E	6 284	6 2028	8	6.3	8.8	9.1	1.6	0.28	0.24	13.3	16.8
HMVC 34E	6 659	6 5778	8	6.7	9.3	9.6	1.6	0.28	0.24	14.6	18.5
HMVC 36E	7 066	6 9848	8	7.1	9.7	10.1	1.6	0.28	0.24	16.0	20.2
HMVC 38E	7 472	7 3908	8	7.5	10.2	10.6	1.7	0.31	0.28	17.8	23.1

	G		Диаметр делительной окружности	Витков на d	d ₁	d ₂	d ₃	B	B ₁	Смещение поршня	Область поршня	Вес
-	д	Д	-	д	д	д	д	д	д	д	д ²	Ф
HMVC 40E	7 847	7 7658	8	7.9	10.7	11.1	1.7	0.31	0.31		19.4	25.4
HMVC 44E	8 628	8 5468	8	8.7	11.5	12.0	1.7	0.31	0.35		22.3	29.8
HMVC 48E	9 442	9 3337	6	9.5	12.4	13.0	1.8	0.35	0.39		25.6	35.3
HMVC 52E	10 192	10 0837	6	10.3	13.4	14.0	1.9	0.35	0.43		29.1	41.9
HMVC 54E	10 604	10 4960	6	10.7	13.9	14.5	1.9	0.35	0.47		30.7	45.2
HMVC 56E	11 004	10 8957	6	11.1	14.3	15.0	1.9	0.35	0.47		32.7	48.5
HMVC 60E	11 785	11 6767	6	11.9	15.2	15.9	2.0	0.39	0.55		36.6	56.2
HMVC 64E	12 562	12 4537	6	12.7	16.1	16.9	2.1	0.39	0.55		40.8	65.0
HMVC 68E	13 339	13 2190	5	13.5	16.9	17.7	2.1	0.39	0.55		44.0	69.4
HMVC 72E	14 170	14 0500	5	14.3	17.9	18.6	2.2	0.39	0.59		48.5	78.3
HMVC 76E	14 957	14 8370	5	15.0	18.7	19.6	2.3	0.43	0.63		51.9	89.3
HMVC 80E	15 745	15 6250	5	15.8	19.6	20.6	2.4	0.43	0.67		56.9	100
HMVC 84E	16 532	16 4120	5	16.6	20.6	21.5	2.4	0.43	0.67		62.0	110
HMVC 88E	17 319	17 1990	5	17.4	21.4	22.3	2.4	0.47	0.67		65.9	119
HMVC 92E	18 107	17 9870	5	18.2	22.2	23.3	2.5	0.47	0.67		69.9	132
HMVC 96E	18 894	18 7740	5	19.0	23.1	24.1	2.6	0.47	0.75		75.3	139
HMVC 100E	19 682	19 5620	5	19.8	24.0	25.0	2.6	0.47	0.75		79.8	154
HMVC 106E	20 867	20 7220	4	20.9	25.4	26.4	2.7	0.51	0.83		87.1	174
HMVC 112E	22 048	21 9030	4	22.1	26.7	27.7	2.8	0.51	0.87		94.9	194
HMVC 120E	23 623	23 4780	4	23.7	28.4	29.4	2.9	0.51	0.91		104.3	220
HMVC 126E	24 804	24 6590	4	24.9	29.7	30.8	2.9	0.55	0.91		113.0	243
HMVC 134E	26 379	26 2340	4	26.5	31.3	32.5	3.0	0.55	0.94		123.2	265
HMVC 142E	27 961	27 7740	3	28.0	33.1	34.3	3.1	0.59	0.98		135.9	298
HMVC 150E	29 536	29 3490	3	29.6	34.8	35.9	3.1	0.59	0.98		147.6	322
HMVC 160E	31 504	31 3170	3	31.6	36.9	38.0	3.1	0.63	0.98		161.0	355
HMVC 170E	33 473	33 2860	3	33.5	39.0	40.2	3.3	0.63	1.02		177.6	399
HMVC 180E	35 441	35 2540	3	35.5	41.1	42.3	3.4	0.67	1.18		192.4	452
HMVC 190E	37 410	37 2230	3	37.5	43.2	44.3	3.4	0.67	1.18		210.3	481

5. Хранение

Хранить в сухом, чистом, хорошо вентилируемом помещении

- Срок хранения: не более 24 месяцев
- Относительная влажность: < 65 %
- Температура хранения: от +10 до +40 °С
- Не подвергать воздействию прямого солнечного света или ультрафиолетового излучения
- Обеспечить защиту от расположенных поблизости источников тепла или холода

6. Транспортировка

Транспортировка оборудования выполняется в контейнере производителя любым видом транспорта на любое расстояние.

Оборудование должно быть упаковано в контейнеры из соответствующих материалов и компонентов для его защиты от повреждения во время транспортировки, погрузочно-разгрузочных операций и хранения.

RU РУССКИЙ ДОПОЛНИТЕЛЬНАЯ ИНФОРМАЦИЯ

Информация об уполномоченном лице и контактной информации для связи с ним:

ООО «СКФ»

121552, город Москва, улица Ярцевская, д.19, Блок А, Этаж 7.

Телефон: +7 495 215-1006

E-mail: SKF.Moscow@skf.com



目录

符合欧盟相关产品条例的声明	116
安全需知	117
1. 产品描述	118
1.1 工作原理	118
1.2 承载能力	118
2. 操作说明	119
2.1 如何装液压螺母	119
2.2 如何产生压强	120
2.3 轴承的安装	120
2.4 轴承的拆卸	121
2.5 SKF液压驱动法 (SKF Drive-up Method) 用于锥孔轴承的安装	121
3. 保养	124
3.1 万一泄漏	124
3.2 更换零件	124
3.3 附件	124
4. 尺寸	125
4.1 液压螺母—HMV..E系列	125
4.2 液压螺母—HMVC..E系列 (英制螺纹)	128
5. 储存	130
6. 运输	130

符合欧盟相关产品条例的声明 HMV / HMVC

我们, SKF MPT, Meidoornkade 14, 3992 AE Houten 荷兰
全权负责并申明在所示使用说明书中所描述的产品,
符合下列“系列”指令要求:
机械产品指令2006/42/EC
并遵从以下标准:
EN-ISO 12100:2010,
EN-ISO 4413:2010.

Houten, 荷兰, 2021年11月



Mrs. Andrea Gondová
质量与合规经理





安全需知

由于高压有潜在的安全风险, 务必遵从以下安全说明:

- 该设备只能由受过培训的人员来操作。
- 请依照说明书操作。
- 使用前请仔细检查液压螺母及其附件, 哪怕仅是部件的细微损坏也不要使用。
- 在向液压螺母加压前, 保证液压系统中的空气已经排出。
- 不要将液压螺母用于装拆轴承之外的地方。
- 请使用压力表。
- 防止工件/工具压力从抵住的位置突然释放 (比如使用定位螺母)。
- 不要超过液压螺母活塞允许的最大行程。
- 使用时请戴上护目镜。
- 不要改装液压螺母。
- 只使用原装备件。
- 只使用推荐的清洁液压油 (如SKF 的LHMF 300或同等液压油)。
- 液压螺母的吊装和操作一定要遵从安全工作流程和本地的规章制度。
- 不要将钢丝线直接接触到液压螺母, 这样有可能造成螺纹的损坏。
- 有吊眼的液压螺母, 吊装时一定要固定好。
- 有关该液压螺母使用的其它不确定事宜, 请与SKF联系。

1. 产品描述

1.1 工作原理

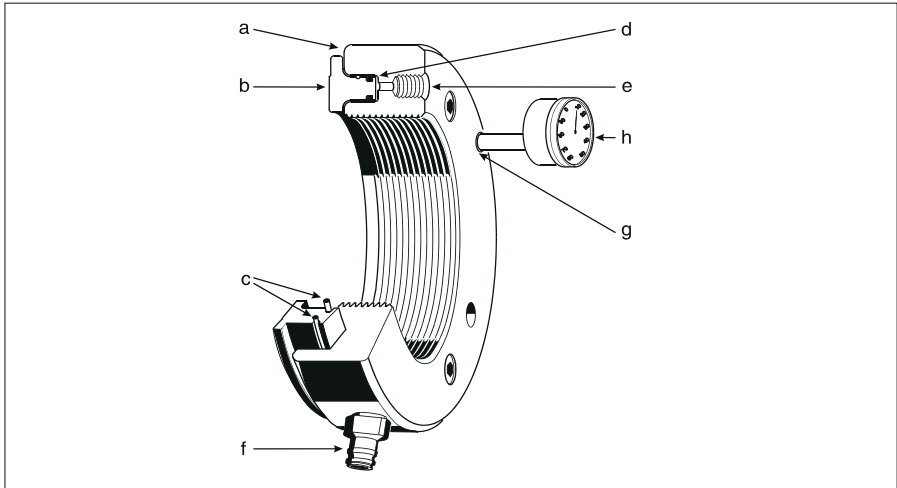


图1. 液压螺母部件图

液压螺母已被证明在安装或拆卸带锥孔的滚动轴承时能够显著地降低工作强度、提高工作效率。它包含了两个主要部件：带内螺纹和一面有凹槽的钢圈(a)，和装在凹槽里的环状活塞(b)。在这两部分之间的密封件是两个O型密封圈(c)。

当高压油被泵入油室(图1中d)内，活塞被高油压推动而释放出一个巨大的力，足以用来安装和拆卸滚动轴承。在靠外的钢圈上有一个无螺纹的孔(g)，用来装千分表(h)。千分表的测量针头紧贴活塞肩上，用来测量其轴向的位移。

(注意：推进距离可用来确定正确的安装方式；可参考skf.com/mount中的内容或从skf.com上下载SKF Drive-up Method Program。

还可以从App Store或Google Play中下载SKF Drive-up Method应用程序)。

在液压螺母的钢圈上另有两个螺纹孔用来装快速接头，用于连接液压泵的高压油管：一个(f)在钢圈外侧，另一个(e)在其圆面上。不用的孔须用随液压螺母一起提供的球塞塞住。要用来接高压油管的孔，需要装上随液压螺母一起提供的快速接头729832A。另外，液压螺母标准配置中还有一个备用的O型密封圈，一个维修包和一根用于拧紧液压螺母的小铁棒。

1.2 承载能力

SKF液压螺母设计能够承受轴承正常安装和拆卸时所遇到的压强。

HMV系列液压螺母在活塞允许的最大位移下所能承受的最大压力如下：

HMV 10 - 60	80 MPa
HMV 62 - 100	40 MPa
HMV 102 - 200	25 MPa

2. 操作说明

2.1 如何装液压螺母

为保证液压螺母易于安装,特别是大型的液压螺母,要在旋转螺母之前对准配合螺纹非常重要。在安装过程中,大型的液压螺母要有支撑,大型液压螺母安装时使用特别支撑的一个类似例子如图2所示。当轴承需要安装在轴套上时,请确认轴套是直的,即液压螺母的螺纹与轴套的螺纹部分是对齐的。注意:建议在将液压螺母旋转配合螺纹上之前,总是在螺纹上加些润滑油。

在将液压螺母旋到轴或轴套上时,请使用随液压螺母一块提供的小铁棒。将铁棒插进液压螺母圆周面上没有螺纹的四个小孔之一,或者是插入液压螺母侧面的两个小孔之一。

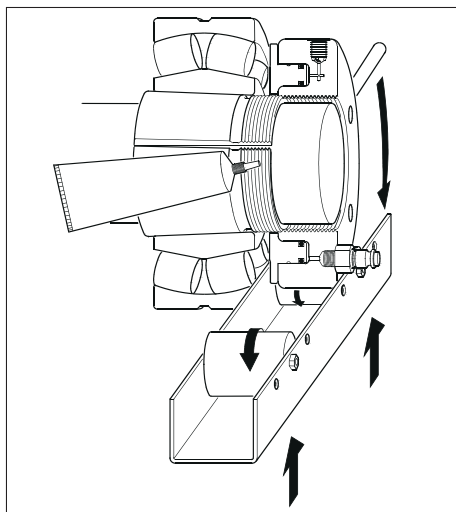


图2. 大型液压螺母支撑

对HMV(C) 94E和更大的液压螺母,有用于安装的两个吊眼(DIN 580)。绑上一个或两个吊眼,可以提起液压螺母。吊眼的尺寸如下表所示:

HMV(C)...E液压螺母尺寸	吊眼螺孔尺寸(DIN 580)
94 - 130	M10
134 - 160	M12
170 - 200	M16

为便于安装, HMV(C) 94E及更大尺寸的液压螺母的圆周面上有一个箭头,指示液压螺母第一圈的开始位置。

2.2 如何产生压强

SKF提供涵盖全部HMV(C)...E液压螺母范围的各种液压泵,对不同尺寸的液压螺母,推荐使用的液压泵如下:

液压螺母	液压泵
HMV(C) 10E - HMV(C) 54E	729124/TMJL 50/TMJL 100/728619E
HMV(C) 56E - HMV(C) 92E	TMJL 50/TMJL 100/728619E
HMV(C) 94E - HMV(C) 200E	TMJL 50/728619E

使用SKF液压驱动法 (SKF Drive-up Method) 时,推荐的液压泵如下:

液压螺母	液压泵
HMV(C) 10E ... 54E	729124 DU/TMJL 50DU/TMJL 100DU
HMV(C) 56E ... 92E	TMJL 50DU/TMJL 100DU
HMV(C) 94E ... 200E	TMJL 50DU

备注:所有带有后缀DU的液压泵都提供了THGD 100 (0 - 100 MPa) 的数字式压力表。

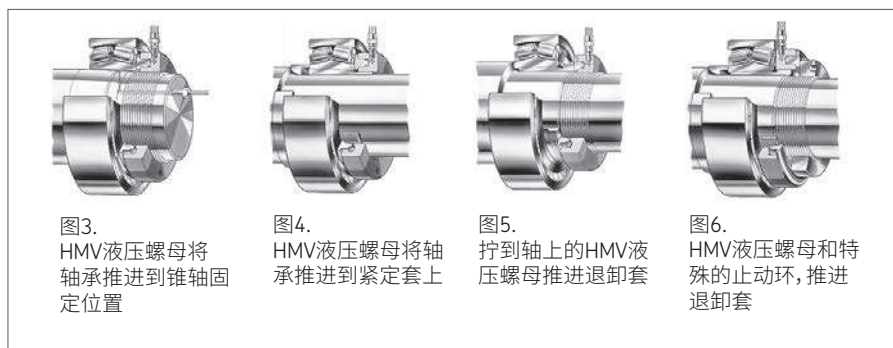
用作液压媒介的液压油在工作温度下的粘度为 $300\text{mm}^2/\text{s}$ 左右,例如SKF的安装油LHMF 300。在接上液压泵前,请确认液压系统内的空气已排出。旋开球头螺栓,将油装到最高点,打压液压泵数次,直到排出来的油没有气泡为止。旋紧球头螺栓,这样,液压螺母就准备就绪了。

2.3 轴承的安装

小心地将液压螺母旋到轴颈或轴套的配合螺纹上,直到液压螺母抵到轴承的内圈(见图3和4),或是退卸套(见图5),或是一个特殊的支撑螺母/平面(见图6)。

液压螺母螺纹尽可能多地咬合到位,但至少不少于80%。如果不能做到这一点,有必要加一个辅助环来支持液压螺母,然后将活塞完全收回到液压螺母里去。

安装



液压泵被用来向液压螺母提供高压油。对所有带1:12或1:30锥度的轴承,选定允许的推进行程(轴向位移),可以一次安装到位。活塞允许的最大位移,以一刻槽形式标在活塞的外面,使用过程中不要超过。在安装完成后,松开液压泵的回油阀(卸压阀),让高压油从液压螺母回流到泵中。要完全清空液压螺母,将活塞回到原始的位置,此时只需要将液压螺母在轴或轴套上继续向里旋,直至活塞归位,这样,油就回流到泵中了。

2.4 轴承的拆卸

当要从紧定套或是退卸套上拆卸轴承时,将液压螺母旋到轴颈螺纹上,直到它抵到了轴承的内圈(见图7)或特殊的支撑定位环(见图8)上。

推动活塞,退卸套就可以从轴承内孔中退出来或者是轴承从紧定套上退卸下来。

拆卸



图7.
HMV液压螺母松开退卸套



图8.
HMV液压螺母和止动环用于松开紧定套

2.5 SKF液压驱动法 (SKF Drive-up Method) 用于锥孔轴承的安装

用传统的方法安装锥孔轴承时,必须测量径向游隙的减少量。这种方法的精度严得依赖于机械师使用塞尺来测量游隙的熟练程度。SKF液压驱动法显著提高了锥度轴承安装的可靠性和方便性,可用于SKF球面滚子轴承DU、SKF CARB®轴承、以及一部分自调心球轴承。要使用这一方法,必须用带有精确压力数字式压力表的液压泵,千分表(见图9)。带后缀DU的液压泵即配有数字式液压表,可测压强为0 - 100MPa。

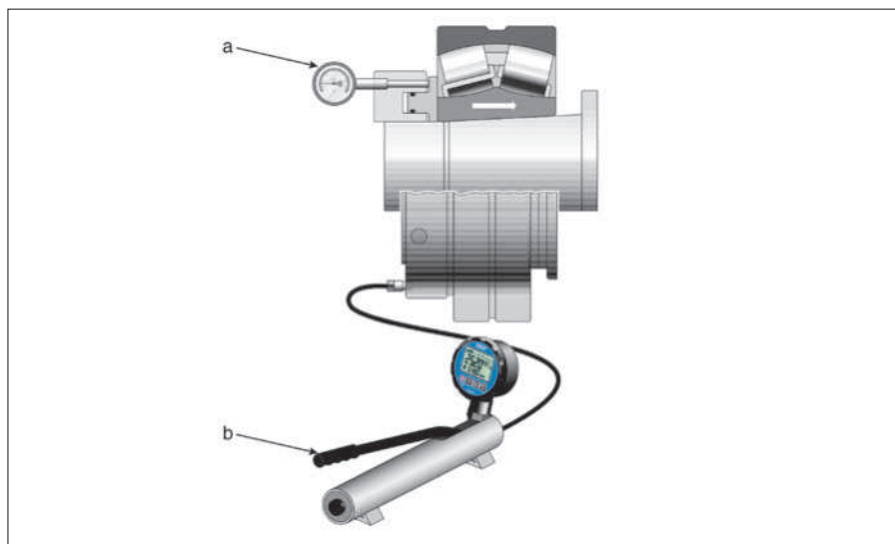


图9. 千分表和液压泵

千分表 (见图9中a)

标为mm (公制)

TMCD 10R / TMCD 5P

标为inch (英制)

TMCD 1/2R

带数字压力计的液压泵(图 9b) 0 - 100兆帕

最小螺母尺寸

HMV (C) 54E

HMV (C) 92E

HMV (C) 200E

泵参数

729124 DU

TMJL 100DU

TMJL 50DU

安装步骤

第一步

确保轴承的尺寸与液压螺母的规格HMV(C)..E相匹配。例如，轴承23936 CCK/W33直接装到轴上，选用HMV(C)36E。否则，需要调节起始压力值。

第二步

确认安装过程中是一个滑动面还是两个滑动面，见图10 - 13。

第三步

通过液压泵泵压液压螺母HMV(C)..E至恰当的压强，将轴承推进到起始位置，见图14。作为选项，SKF数字压力表可以直接拧到液压螺母上。打压液压泵驱动轴承直到在锥轴上移动了所需的位移。可用千分表来测量这个轴向位移值。

初始液压(MPa/psi) 和轴向推进距离(mm)可参考skf.com/mount中的内容或从skf.com上下载SKF Drive-up Method Program。

还可以从App Store或Google Play中下载SKF Drive-up Method应用程序。

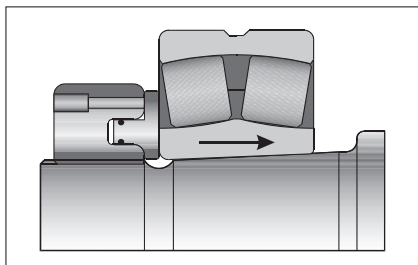


图10. 一个滑动面

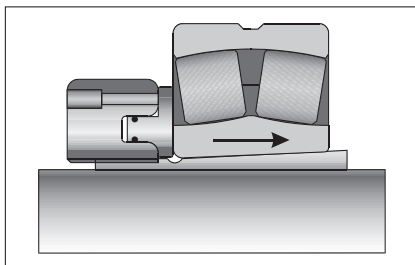


图11. 一个滑动面

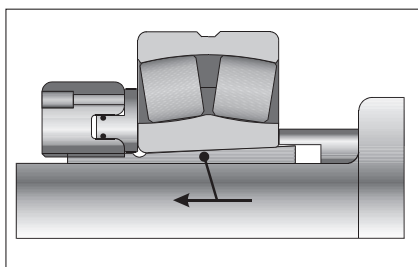


图12. 两个滑动面

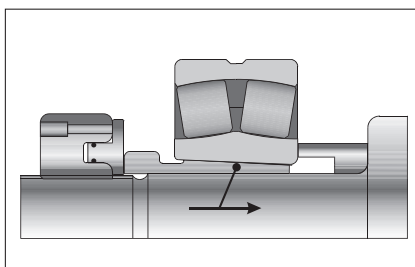


图13. 两个滑动面

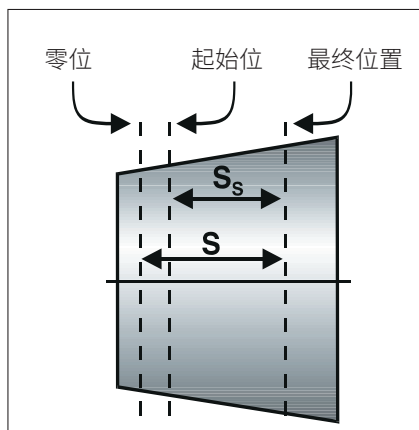


图14. 轴承位置



3. 保养

产液压螺母不用时,要防止杂物污染,高压油管接口应该用拧上螺栓以防污物进入。

3.1 万一泄漏

在活塞工作时,如果液压螺母漏油,则表明密封损坏,需要更换。更换密封件时,需要把活塞压出钢圈来,为了便于更换,会用到钢圈外表面的三个平时用球塞塞住的辅助孔,拧下这三颗球塞,使用随液压螺母一起提供的长螺栓,活塞就可以从钢圈中顶出来(见图15)。

然后就可以取下O型圈,清洁刻槽,换上新的O型圈。

若有需要,在更换过程中用一点油脂润滑将新的O型圈放到活塞的正确位置。

液压螺母标准配置中提供了一套备用的O型圈,若需另购,请联系SKF。

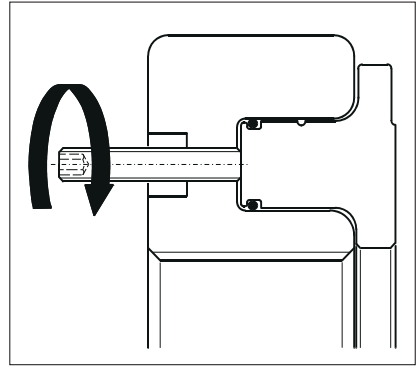


图15. 将活塞顶出钢圈

3.2 更换零件

产品描述	订货号
O型圈	液压螺母号紧跟/233983, 如HMV 10/233983
球塞	233950
快速接头	729832 A
用于固定千分表的尼龙螺丝 (10支一包)	HMVE M5x10 (螺母规格 10...69) HMVE M5x17 (螺母规格 70 及以上)
维修包 (螺杆、铜环、六角扳手)	HMVM 10/29 (液压螺母尺寸 10...29) HMVM 30/69 (液压螺母尺寸 30...69) HMVM 70/200 (液压螺母尺寸 70...200)

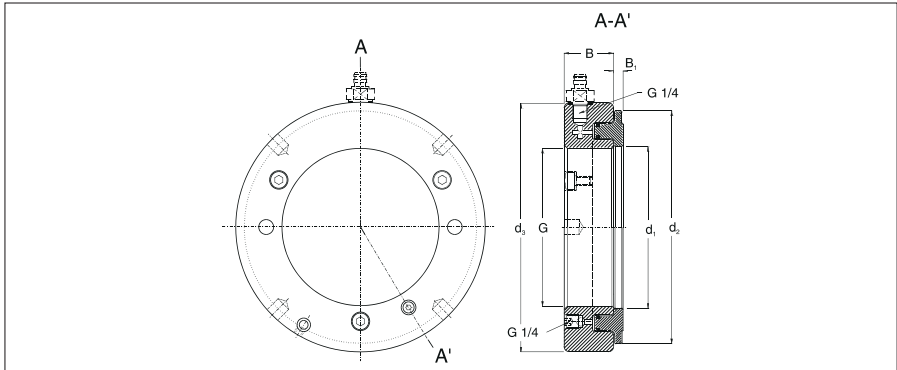
3.3 附件

产品描述	订货号
安装油 (300 mm ² /s, 5升装)	LHMF 300/5
千分表	TMCD 5P (平行, 0 - 5 mm) TMCD 10R (圆形, 0 - 10 mm) TMCD 1/2R (圆形, 0 - 1/2 in)

4. 尺寸

下表中的相关尺寸是SKF标准的液压螺母的, HMV...E (公制)、HMVC...E (英制)。液压螺母也能定制为特殊尺寸、特殊螺纹、以及无螺纹形式。若有需要, 可提供其它信息。

4.1 液压螺母—HMV..E系列



螺纹

HMV 10E - HMV 40E

ISO 965/III-1980, 公差等级 6H

HMV 41E - HMV 200E

ISO 2901-1977, 公差等级 7H

推荐的配合螺纹

HMV 10E - HMV 40E

ISO 965/III-1980, 公差等级 6g

HMV 41E - HMV 200E

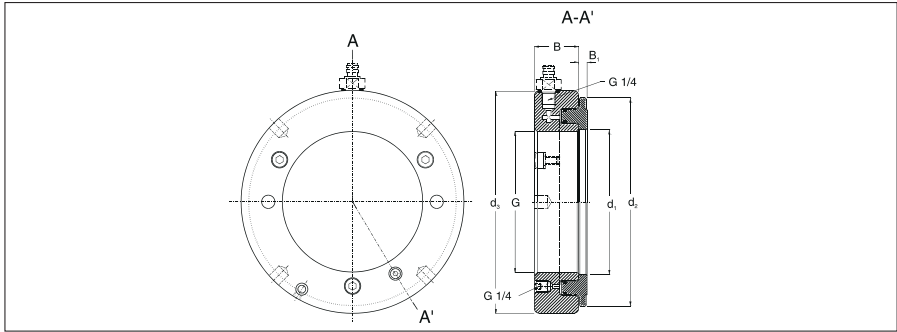
ISO 2901-1977, 公差等级 7e

订货号	G	尺寸 d ₁	d ₂	d ₃	B	B ₁	活塞允许的 最大位移	活塞面 积	重量
-	螺纹	mm	mm	mm	mm	mm	mm	mm ²	kg
HMV 10E	M 50x1.5	50,5	104	114	38	4	5	2 900	2,70
HMV 11E	M 55x2	55,5	109	120	38	4	5	3 150	2,75
HMV 12E	M 60x2	60,5	115	125	38	5	5	3 300	2,80
HMV 13E	M 65x2	65,5	121	130	38	5	5	3 600	3,00
HMV 14E	M 70x2	70,5	127	135	38	5	5	3 800	3,20
HMV 15E	M 75x2	75,5	132	140	38	5	5	4 000	3,40
HMV 16E	M 80x2	80,5	137	146	38	5	5	4 200	3,70
HMV 17E	M 85x2	85,5	142	150	38	5	5	4 400	3,75
HMV 18E	M 90x2	90,5	147	156	38	5	5	4 700	4,00
HMV 19E	M 95x2	95,5	153	162	38	5	5	4 900	4,30
HMV 20E	M 100x2	100,5	158	166	38	6	5	5 100	4,40
HMV 21E	M 105x2	105,5	163	172	38	6	5	5 300	4,65
HMV 22E	M 110x2	110,5	169	178	38	6	5	5 600	4,95
HMV 23E	M 115x2	115,5	174	182	38	6	5	5 800	5,00
HMV 24E	M 120x2	120,5	179	188	38	6	5	6 000	5,25
HMV 25E	M 125x2	125,5	184	192	38	6	5	6 200	5,35
HMV 26E	M 130x2	130,5	190	198	38	6	5	6 400	5,65
HMV 27E	M 135x2	135,5	195	204	38	6	5	6 600	5,90
HMV 28E	M 140x2	140,5	200	208	38	7	5	6 800	6,00
HMV 29E	M 145x2	145,5	206	214	39	7	5	7 300	6,50
HMV 30E	M 150x2	150,5	211	220	39	7	5	7 500	6,60
HMV 31E	M 155x3	155,5	218	226	39	7	5	8 100	6,95
HMV 32E	M 160x3	160,5	224	232	40	7	6	8 600	7,60
HMV 33E	M 165x3	165,5	229	238	40	7	6	8 900	7,90
HMV 34E	M 170x3	170,5	235	244	41	7	6	9 400	8,40
HMV 36E	M 180x3	180,5	247	256	41	7	6	10 300	9,15
HMV 38E	M 190x3	191	259	270	42	8	7	11 500	10,5
HMV 40E	M 200x3	201	271	282	43	8	8	12 500	11,5
HMV 41E	Tr 205x4	207	276	288	43	8	8	12 800	12,0
HMV 42E	Tr 210x4	212	282	294	44	8	9	13 400	12,5
HMV 43E	Tr 215x4	217	287	300	44	8	9	13 700	13,0
HMV 44E	Tr 220x4	222	293	306	44	8	9	14 400	13,5
HMV 45E	Tr 225x4	227	300	312	45	8	9	15 200	14,5
HMV 46E	Tr 230x4	232	305	318	45	8	9	15 500	14,5
HMV 47E	Tr 235x4	237	311	326	46	8	10	16 200	16,0
HMV 48E	Tr 240x4	242	316	330	46	9	10	16 500	16,0
HMV 50E	Tr 250x4	252	329	342	46	9	10	17 600	17,5
HMV 52E	Tr 260x4	262	341	356	47	9	11	18 800	19,5
HMV 54E	Tr 270x4	272	352	368	48	9	12	19 800	20,5
HMV 56E	Tr 280x4	282	363	380	49	9	12	21 100	22,0
HMV 58E	Tr 290x4	292	375	390	49	9	13	22 400	22,5
HMV 60E	Tr 300x4	302	386	404	51	10	14	23 600	25,5

订货号	G	尺寸			B	B ₁	活塞允许的 最大位移	活塞面 积	重量
		d ₁	d ₂	d ₃					
-	螺纹	mm	mm	mm	mm	mm	mm	mm ²	kg
HMV 62E	Tr 310x5	312	397	416	52	10	14	24 900	27,0
HMV 64E	Tr 320x5	322	409	428	53	10	14	26 300	29,5
HMV 66E	Tr 330x5	332	419	438	53	10	14	27 000	30,0
HMV 68E	Tr 340x5	342	430	450	54	10	14	28 400	31,5
HMV 69E	Tr 345x5	347	436	456	54	10	14	29 400	32,5
HMV 70E	Tr 350x5	352	442	464	56	10	14	29 900	35,0
HMV 72E	Tr 360x5	362	455	472	56	10	15	31 300	35,5
HMV 73E	Tr 365x5	367	460	482	57	11	15	31 700	38,5
HMV 74E	Tr 370x5	372	466	486	57	11	16	32 800	39,0
HMV 76E	Tr 380x5	382	476	498	58	11	16	33 500	40,5
HMV 77E	Tr 385x5	387	483	504	58	11	16	34 700	41,0
HMV 80E	Tr 400x5	402	499	522	60	11	17	36 700	45,5
HMV 82E	Tr 410x5	412	510	534	61	11	17	38 300	48,0
HMV 84E	Tr 420x5	422	522	546	61	11	17	40 000	50,0
HMV 86E	Tr 430x5	432	532	556	62	11	17	40 800	52,5
HMV 88E	Tr 440x5	442	543	566	62	12	17	42 500	54,0
HMV 90E	Tr 450x5	452	554	580	64	12	17	44 100	57,5
HMV 92E	Tr 460x5	462	565	590	64	12	17	45 100	60,0
HMV 94E	Tr 470x5	472	576	602	65	12	18	46 900	62,0
HMV 96E	Tr 480x5	482	587	612	65	12	19	48 600	63,0
HMV 98E	Tr 490x5	492	597	624	66	12	19	49 500	66,0
HMV 100E	Tr 500x5	502	609	636	67	12	19	51 500	70,0
HMV 102E	Tr 510x6	512	624	648	68	12	20	53 300	74,0
HMV 104E	Tr 520x6	522	634	658	68	13	20	54 300	75,0
HMV 106E	Tr 530x6	532	645	670	69	13	21	56 200	79,0
HMV 108E	Tr 540x6	542	657	682	69	13	21	58 200	81,0
HMV 110E	Tr 550x6	552	667	693	70	13	21	59 200	84,0
HMV 112E	Tr 560x6	562	678	704	71	13	22	61 200	88,0
HMV 114E	Tr 570x6	572	689	716	72	13	23	63 200	91,0
HMV 116E	Tr 580x6	582	699	726	72	13	23	64 200	94,0
HMV 120E	Tr 600x6	602	721	748	73	13	23	67 300	100
HMV 126E	Tr 630x6	632	754	782	74	14	23	72 900	110
HMV 130E	Tr 650x6	652	775	804	75	14	23	76 200	115
HMV 134E	Tr 670x6	672	796	826	76	14	24	79 500	120
HMV 138E	Tr 690x6	692	819	848	77	14	25	84 200	127
HMV 142E	Tr 710x7	712	840	870	78	15	25	87 700	135
HMV 150E	Tr 750x7	752	883	912	79	15	25	95 200	146
HMV 160E	Tr 800x7	802	936	965	80	16	25	103 900	161
HMV 170E	Tr 850x7	852	990	1 020	83	16	26	114 600	181
HMV 180E	Tr 900x7	902	1 043	1 075	86	17	30	124 100	205
HMV 190E	Tr 950x8	952	1 097	1 126	86	17	30	135 700	218
HMV 200E	Tr 1000x8	1 002	1 150	1 180	88	17	34	145 800	239

4.2 液压螺母—HMVC..E系列(英制螺纹)

英制的HMVC...E系列液压螺母都配备了一个快速接头(729832 A)和一个外螺纹G 1/4到内螺纹NPT 3/8的转接头(729106/100MPa)。



螺纹标准为美国抗磨轴承制造业协会 (AFBMA) 推荐:

HMVC 10-64E 美国国家标准, 螺纹等级3

HMVC 68-190E ACME通用螺纹标准等级3G

订货号	尺寸		每英寸 螺纹数	尺寸					活塞充			
	G	螺距		d ₁	d ₂	d ₃	B	B ₁	许的最大 位移	活塞面 面积	重量	
-	in	in	-	in	in	in	in	in	in	in	in ²	lb
HMVC 10E	1 967	1 9309	18	2.0	4.1	4.5	1.5	0.16	0.20	0.20	4.5	6.0
HMVC 11E	2 157	2 1209	18	2.2	4.3	4.7	1.5	0.16	0.20	0.20	4.9	6.1
HMVC 12E	2 360	2 3239	18	2.4	4.5	4.9	1.5	0.20	0.20	0.20	5.1	6.2
HMVC 13E	2 548	2 5119	18	2.6	4.8	5.1	1.5	0.20	0.20	0.20	5.6	6.6
HMVC 14E	2 751	2 7149	18	2.8	5.0	5.3	1.5	0.20	0.20	0.20	5.9	7.1
HMVC 15E	2 933	2 8789	12	3.0	5.2	5.5	1.5	0.20	0.20	0.20	6.2	7.5
HMVC 16E	3 137	3 0829	12	3.2	5.4	5.7	1.5	0.20	0.20	0.20	6.5	8.2
HMVC 17E	3 340	3 2859	12	3.4	5.6	5.9	1.5	0.20	0.20	0.20	6.8	8.3
HMVC 18E	3 527	3 4729	12	3.6	5.8	6.1	1.5	0.20	0.20	0.20	7.3	8.8
HMVC 19E	3 730	3 6759	12	3.8	6.0	6.4	1.5	0.20	0.20	0.20	7.6	9.5
HMVC 20E	3 918	3 8639	12	4.0	6.2	6.5	1.5	0.24	0.20	0.20	7.9	9.7
HMVC 21E	4 122	4 0679	12	4.2	6.4	6.8	1.5	0.24	0.20	0.20	8.2	10.3
HMVC 22E	4 325	4 2709	12	4.4	6.7	7.0	1.5	0.24	0.20	0.20	8.7	10.9
HMVC 24E	4 716	4 6619	12	4.7	7.0	7.4	1.5	0.24	0.20	0.20	9.3	11.6
HMVC 26E	5 106	5 0519	12	5.1	7.5	7.8	1.5	0.24	0.20	0.20	9.9	12.5
HMVC 28E	5 497	5 4429	12	5.5	7.9	8.2	1.5	0.28	0.20	0.20	10.5	13.2
HMVC 30E	5 888	5 8339	12	5.9	8.3	8.7	1.5	0.28	0.20	0.20	11.6	14.6
HMVC 32E	6 284	6 2028	8	6.3	8.8	9.1	1.6	0.28	0.24	0.24	13.3	16.8
HMVC 34E	6 659	6 5778	8	6.7	9.3	9.6	1.6	0.28	0.24	0.24	14.6	18.5
HMVC 36E	7 066	6 9848	8	7.1	9.7	10.1	1.6	0.28	0.24	0.24	16.0	20.2
HMVC 38E	7 472	7 3908	8	7.5	10.2	10.6	1.7	0.31	0.28	0.28	17.8	23.1

订货号	G		尺寸						活塞充		活塞面积 in ²	重量 lb
	螺距	每英寸 螺纹数	d ₁	d ₂	d ₃	B	B ₁	许的最大 位移				
-	in	in	-	in	in	in	in	in	in	in	in ²	lb
HMVC 40E	7 847	7 7658	8	7.9	10.7	11.1	1.7	0.31	0.31	19.4	25.4	
HMVC 44E	8 628	8 5468	8	8.7	11.5	12.0	1.7	0.31	0.35	22.3	29.8	
HMVC 48E	9 442	9 3337	6	9.5	12.4	13.0	1.8	0.35	0.39	25.6	35.3	
HMVC 52E	10 192	10 0837	6	10.3	13.4	14.0	1.9	0.35	0.43	29.1	41.9	
HMVC 54E	10 604	10 4960	6	10.7	13.9	14.5	1.9	0.35	0.47	30.7	45.2	
HMVC 56E	11 004	10 8957	6	11.1	14.3	15.0	1.9	0.35	0.47	32.7	48.5	
HMVC 60E	11 785	11 6767	6	11.9	15.2	15.9	2.0	0.39	0.55	36.6	56.2	
HMVC 64E	12 562	12 4537	6	12.7	16.1	16.9	2.1	0.39	0.55	40.8	65.0	
HMVC 68E	13 339	13 2190	5	13.5	16.9	17.7	2.1	0.39	0.55	44.0	69.4	
HMVC 72E	14 170	14 0500	5	14.3	17.9	18.6	2.2	0.39	0.59	48.5	78.3	
HMVC 76E	14 957	14 8370	5	15.0	18.7	19.6	2.3	0.43	0.63	51.9	89.3	
HMVC 80E	15 745	15 6250	5	15.8	19.6	20.6	2.4	0.43	0.67	56.9	100	
HMVC 84E	16 532	16 4120	5	16.6	20.6	21.5	2.4	0.43	0.67	62.0	110	
HMVC 88E	17 319	17 1990	5	17.4	21.4	22.3	2.4	0.47	0.67	65.9	119	
HMVC 92E	18 107	17 9870	5	18.2	22.2	23.3	2.5	0.47	0.67	69.9	132	
HMVC 96E	18 894	18 7740	5	19.0	23.1	24.1	2.6	0.47	0.75	75.3	139	
HMVC 100E	19 682	19 5620	5	19.8	24.0	25.0	2.6	0.47	0.75	79.8	154	
HMVC 106E	20 867	20 7220	4	20.9	25.4	26.4	2.7	0.51	0.83	87.1	174	
HMVC 112E	22 048	21 9030	4	22.1	26.7	27.7	2.8	0.51	0.87	94.9	194	
HMVC 120E	23 623	23 4780	4	23.7	28.4	29.4	2.9	0.51	0.91	104.3	220	
HMVC 126E	24 804	24 6590	4	24.9	29.7	30.8	2.9	0.55	0.91	113.0	243	
HMVC 134E	26 379	26 2340	4	26.5	31.3	32.5	3.0	0.55	0.94	123.2	265	
HMVC 142E	27 961	27 7740	3	28.0	33.1	34.3	3.1	0.59	0.98	135.9	298	
HMVC 150E	29 536	29 3490	3	29.6	34.8	35.9	3.1	0.59	0.98	147.6	322	
HMVC 160E	31 504	31 3170	3	31.6	36.9	38.0	3.1	0.63	0.98	161.0	355	
HMVC 170E	33 473	33 2860	3	33.5	39.0	40.2	3.3	0.63	1.02	177.6	399	
HMVC 180E	35 441	35 2540	3	35.5	41.1	42.3	3.4	0.67	1.18	192.4	452	
HMVC 190E	37 410	37 2230	3	37.5	43.2	44.3	3.4	0.67	1.18	210.3	481	

5. 储存

干燥无尘, 贮存于通风干燥房间内

- 货架寿命: 最多24个月
- 相对湿度: < 65 %
- 储存温度: +10 ... +40 °C
- 无阳光直射或紫外线辐射
- 保护免受附近热源或冷源影响

6. 运输

无论何种运费方式或任何运输距离, 产品需在制造商包装箱内进行运输。

为保证产品在运输、装载和储存过程中的安全, 产品必须采用包装箱运输, 包装箱及其他组件和材料能够防止产品遭受损坏和丢失。

The contents of this publication are the copyright of the publisher and may not be reproduced (even extracts) unless prior written permission is granted. Every care has been taken to ensure the accuracy of the information contained in this publication but no liability can be accepted for any loss or damage whether direct, indirect or consequential arising out of the use of the information contained herein.

Nachdruck, auch auszugsweise, nur mit unserer vorherigen schriftlichen Genehmigung gestattet. Die Angaben in dieser Druckschrift wurden mit größter Sorgfalt auf ihre Richtigkeit hin überprüft. Trotzdem kann keine Haftung für Verluste oder Schäden irgendwelcher Art übernommen werden, die sich mittelbar oder unmittelbar aus der Verwendung der hier enthaltenen Informationen ergeben.

El contenido de esta publicación es propiedad de los editores y no puede reproducirse (incluso parcialmente) sin autorización previa por escrito. Se ha tenido el máximo cuidado para garantizar la exactitud de la información contenida en esta publicación, pero no se acepta ninguna responsabilidad por pérdidas o daños, ya sean directos, indirectos o consecuentes, que se produzcan como resultado del uso de dicha información.

Le contenu de cette publication est soumis au copyright de l'éditeur et sa reproduction, même partielle, est interdite sans autorisation écrite préalable. Le plus grand soin a été apporté à l'exactitude des informations données dans cette publication mais SKF décline toute responsabilité pour les pertes ou dommages directs ou indirects découlant de l'utilisation du contenu du présent document.

La riproduzione, anche parziale, del contenuto di questa pubblicazione è consentita soltanto previa autorizzazione scritta della SKF. Nella stesura è stata dedicata la massima attenzione al fine di assicurare l'accuratezza dei dati, tuttavia non si possono accettare responsabilità per eventuali errori od omissioni, nonché per danni o perdite diretti o indiretti derivanti dall'uso delle informazioni qui contenute.

O conteúdo desta publicação é de direito autoral do editor e não pode ser reproduzido (nem mesmo parcialmente), a não ser com permissão prévia por escrito. Todo cuidado foi tomado para assegurar a precisão das informações contidas nesta publicação, mas nenhuma responsabilidade pode ser aceita por qualquer perda ou dano, seja direto, indireto ou consequente como resultado do uso das informações aqui contidas.

Содержание этой публикации является собственностью издателя и не может быть воспроизведено (даже частично) без предварительного письменного разрешения. Несмотря на то, что были приняты все меры по обеспечению точности информации, содержащейся в настоящем издании, издатель не несет ответственности за любой ущерб, прямой или косвенный, вытекающий из использования вышеуказанной информации.

本出版物内容的著作权归出版者所有且未经事先书面许可不得被复制（甚至引用）。我们已采取了一切注意措施以确定本出版物包含的信息准确无误，但我们不对因使用此等信息而产生的任何损失或损害承担任何责任，不论此等责任是直接、间接或附随性的。