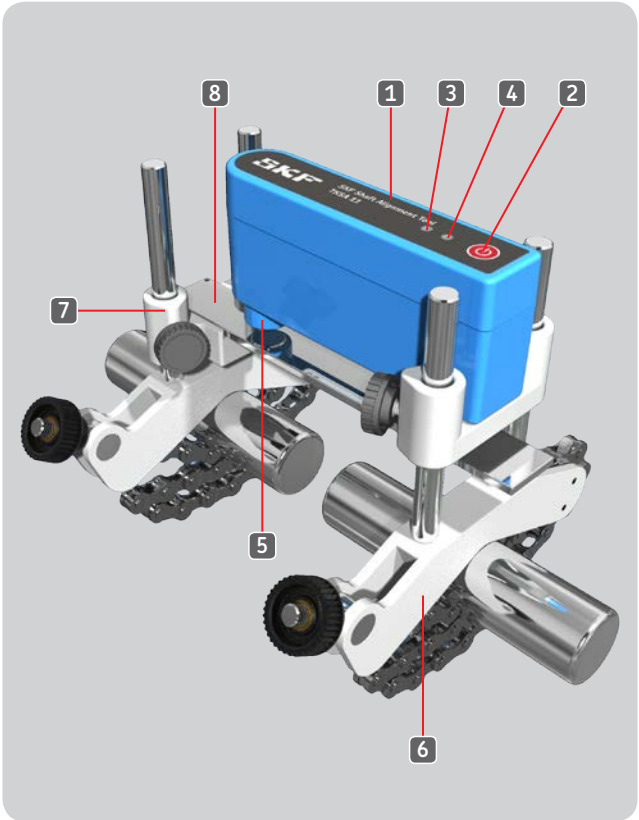


# SKF Shaft Alignment Tool TKSA 11

## Quick Start Guide

### 1. Description



1. Measuring unit	5. Two inductive proximity sensors
2. Power button	6. V-Bracket with locking chain
3. Connection blue LED	7. Magnetic bar holder
4. Status red/green LED	8. Reference bar

## 2. Installing the App

“SKF Shaft Alignment Tool TKSA 11”

- (EN) Install the App
- (FR) Installer l'application
- (DE) Installation der App
- (ES) Instalar la App
- (IT) Installare la App
- (PT) Instalação do Aplicativo
- (ZH) 安装App应用程序
- (RU) Установка приложения



### 1. Turn on Wi-Fi and connect to a network

Se connecter au réseau avec le Wi-Fi activé

WLAN anstellen und Verbindung zu einem Netzwerk herstellen

Activar el Wi-Fi y conectarse a una red

Accendere il Wi-Fi e connettersi a una rete

Ligue o Wi-Fi e conecte-se a uma rede

打开Wi-Fi,连接到网络

Включите Wi-Fi и подключитесь к сети

### 2. Go to the App Store Icon

Cliquer sur l'icône App Store

App Store Icon auswählen

Ir al icono de la App store

Aprire l'icona dell'App store

Vá para o ícone da loja de aplicativos

进入App商店

Выберите пиктограмму App Store



### 3. Tap the search area

Cliquer sur la zone de recherche

Suchleiste auswählen

Pulsar sobre la zona de búsqueda

Posizionarsi nell'area di ricerca

Vá para área de busca

点击搜索栏

Прикоснитесь к области поиска



### 4. Enter “SKF TKSA 11”

Entrer “SKF TKSA 11”

Eingabe “SKF TKSA 11”

Escribir “SKF TKSA 11”

Inserire “SKF TKSA 11”

Digite “SKF TKSA 11”

输入SKF TKSA 11

Введите “SKF TKSA 11”



## 5. Tap “Free”

Cliquer sur “Free” (“Gratuit”)

Auf “Free” tippen (“Gratis”)

Pulsar en “Free” (“Gratis”)

Selezionare “Free”

Acione “Free”

点击 “Free”

Нажмите кнопку “Free” (Бесплатно)



## 6. Tap “INSTALL”

Saisir “INSTALL” (“Installer”)

Auf “INSTALL” tippen (“Laden”)

Pulsar en “INSTALL” (“Instalar”)

Selezionare “INSTALL”

Acione “INSTALL”

点击 “INSTALL”

Нажмите кнопку “INSTALL” (Установить)



## 7. If asked, enter your Apple ID password

Taper, si nécessaire, le mot de passe de votre identifiant Apple

Bei Nachfrage bitte Apple ID Passwort eingeben

Si se le pide, introduzca la contraseña asociada a su cuenta Apple

Se richiesta, inserire la password del vostro ID Apple

Se solicitado, digite a sua senha Apple ID

如果需要，请输入App ID 密码

При необходимости введите свой пароль для Apple ID.

## 8. Wait for the App to be downloaded

Attendre que le téléchargement de l'application soit terminé

Abwarten bis die App heruntergeladen ist

Espere a que la aplicación se descargue

Attendere la fine del download della App

Aguarde o download do aplicativo

等待App下载

Дождитесь завершения скачивания приложения.

## 9. Open the Shaft Alignment App

Ouvrir l'application alignement

d'arbres

App zur Ausrichtung von

Wellen starten

Abra la App dedicada a la

alineación de ejes

Aprire la App

Abra o aplicativo de alinhamento de eixo

打开轴对中 App应用程序

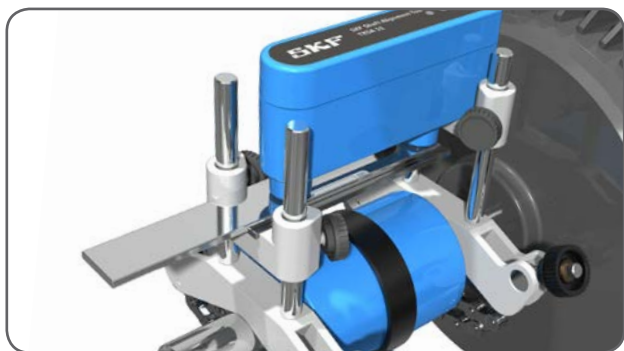
Откройте приложение для выверки соосности валов.



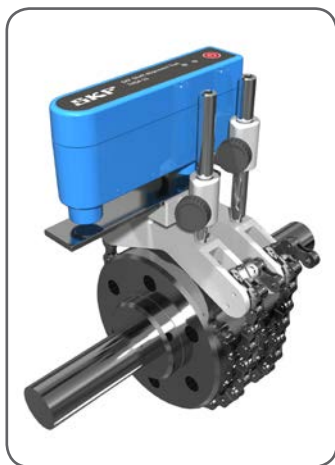
### 3. Mounting the measuring unit



Mount the Measuring unit on the Moveable machine (Motor) side.



Adjust the gap between the inductive proximity sensors and the reference bar to app. 3 mm  $\pm$ 0,5 mm (120 mils  $\pm$ 20 mils). "Sensor status" in the app indicates the correct distance.



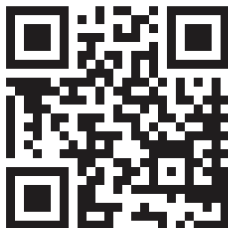
The TKSA 11 can be mounted directly on couplings when needed.

## 4. Compatible devices

- iPod Touch 5th generation and above
- iPhone 4S, iPhone 5 and above
- iPad mini and above
- iPad 3rd generation and above

## 5. SKF Alignment website

[www.SKF.com/alignment](http://www.SKF.com/alignment)



### Safety recommendations

- The complete instructions for use are available on SKF.com and within the SKF TKSA 11 app.
- Read and follow all warnings in this document before handling and operating the equipment. You can be seriously injured, equipment and data can be damaged if you do not follow the safety warnings.
- Always read and follow the operating instructions.
- Dress properly. Do not wear loose clothing or jewellery. Keep your hair, clothing, and gloves away from moving parts.
- Do not overreach. Keep proper footing and balance at all times to enable better control of the device during unexpected situations.
- Use safety equipment. Non-skid safety shoes, hard hat or hearing protection must be used for appropriate conditions.
- Never work on energized equipment unless authorized by a responsible authority. Always turn off the power of the machine before you start.
- Do not expose the equipment to rough handling or impacts this will void the warranty.
- Avoid direct contact with water, wet surfaces, or condensing humidity.
- Do not attempt to open the device.
- Use only accessories that are recommended by SKF.
- Device service must be performed only by qualified SKF repair personnel.
- We recommend calibrating the tool every 2 years.



## EC Declaration of conformity

We,

SKF Maintenance Products  
Kelvinbaan 16  
3439 MT Nieuwegein  
The Netherlands

herewith declare that the following product:

### SKF Shaft Alignment Tool TKSA 11

has been designed and manufactured in accordance with:  
EMC DIRECTIVE 2004/108/EC as outlined in the harmonized norm

EN 61326-1:2013 Class B, group 1 equipment  
IEC 61000-4-2:2009  
IEC 61000-4-3:2006

EUROPEAN ROHS DIRECTIVE 2011/65/EU

The enclosed device complies with Part 15 of the FCC Rules.  
Contains FCC ID: QOQBLE112  
Certification Number: IC: 5123A-BGTBLE112  
Manufacturer's Name, Trade Name or Brand Name: bluegiga  
Model Name: BLE112-A

Nieuwegein, The Netherlands,  
June 2014



Sébastien David  
Manager Product Development and Quality

## SKF Maintenance Products

® SKF is a registered trademark of the SKF Group.  
© SKF Group 2014/05

[www.mapro.skf.com](http://www.mapro.skf.com) • [www.skf.com/mount](http://www.skf.com/mount) • MP5432

The contents of this publication are the copyright of the publisher and may not be reproduced (even extracts) unless prior written permission is granted. Every care has been taken to ensure the accuracy of the information contained in this publication but no liability can be accepted for any loss or damage whether direct, indirect or consequential arising out of use of the information contained herein.