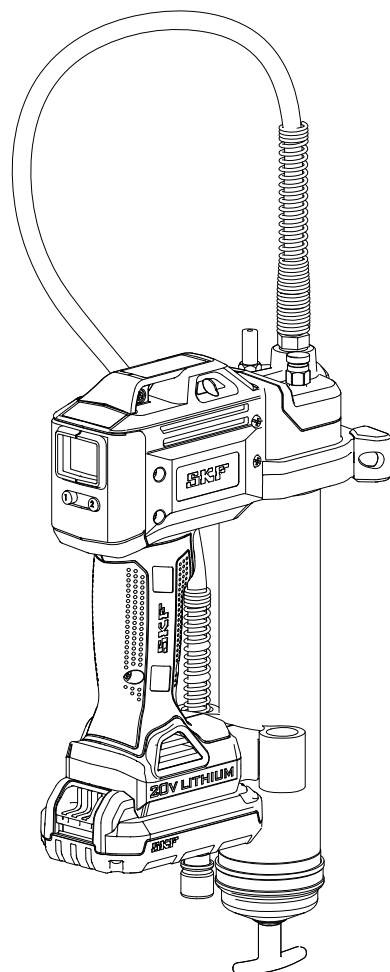


SKF TLGB 20

Series "A"



Date of issue	July 2015
Form number	MP5456

⚠ DANGER

Read manual prior to installation or use of this product. Keep manual nearby for future reference. Failure to follow instructions and safety precautions may result in death or serious injury.

SKF

Table of contents

EC Declaration of conformity	2
Intended use	3
General power tool safety warnings	3
Work area safety	3
Electrical safety	3
Personal safety	3
Power tool use and care	3
Battery tool use and care	4
Service	4
Specific safety	4
Residual risks	4
Vibration	5
Maintenance	5
Protecting the environment	5
Safety instructions for battery and charger	6
Batteries	6
Charger	7
Safety of others	7
Electrical safety	7
Tool use and care	8
Specifications	8
Model	8
General description	9
Inspection	9
TLGB 20 Set up	10
Install/replace grease cartridge	10
Prime the grease gun	10
Operation	11
Display and light	11
Speed selection	11
Switching units	11
Control/monitor grease application.	11
Refilling options	12
To fill gun from bulk container	12
To fill gun with filler pump	12

Expelling air pockets (air purging)	12
Charger operation	13
Charging battery pack	13
Charging procedure	13
Important charging notices	13
Exploded view	14
Service parts/kits list.	15
Troubleshooting	15

DANGER

Read manual prior to installation or use of this product. Keep manual nearby for future reference.
Failure to follow instructions and safety precautions may result in death or serious injury.

EC Declaration of conformity

We, SKF Maintenance Products
Kelvinbaan 16, 3439 MT Nieuwegein
The Netherlands
herewith declare that the following product:

SKF Battery Driven Grease Gun TLGB 20, series "A"

has been designed and manufactured in accordance with:

EMC DIRECTIVE 2014/30/EU, Machinery Directive 2006/42/EC and Low Voltage Directive 2014/32/EU

- as outlined in the harmonized norm for
- EN55014-1:2006+A1:2009+A2:2011 Part 1
 - EN 55014-2:1977 +A1:2001+A2:2008 Part 2
 - EN 60745-1:2009 + A11: 2010
 - EN 60335-1: 2012 Part 1.
 - EN 60335-2-29: 2004+A2:2010 Part 2.
 - EN 62233:2008
 - European ROHS directive 2011/65/EU

St. Louis, MO USA





July 2015
Robert Hoefler,
Director of Product Development and Engineering

Intended use

The SKF battery driven grease gun TLGB 20 was exclusively designed to pump and dispense lubricant using 20 V battery power. Do not exceed the maximum specification ratings.

General power tool safety warnings

 **WARNING**

 Read all safety warnings and instructions. Failure to follow the warnings and instructions may result in electric shock, fire and/or serious injury.

Save all warnings and instructions for future reference. The term “power tool” in the warnings refers to your mains-operated (corded) power tool or battery-operated (cordless) power tool.

Work area safety

- **Keep work area clean and well lit.** Cluttered or dark areas invite accidents.
- **Do not operate power tools in explosive atmospheres, such as in the presence of flammable liquids, gases or dust.** Power tools create sparks which may ignite the dust or fumes.
- **Keep children and bystanders away while operating a power tool.** Distractions can cause you to lose control.

Electrical safety

- **Power tool plugs must match the outlet. Never modify the plug in any way. Do not use any adapter plugs with earthed (grounded) power tools.** Unmodified plugs and matching outlets will reduce risk of electric shock.
- **Avoid body contact with earthed or grounded surfaces such as pipes, radiators, ranges and refrigerators.** There is an increased risk of electric shock if your body is earthed or grounded.

- **Do not expose power tools to rain or wet conditions.** Water entering a power tool will increase the risk of electric shock.
- **Do not abuse the cord. Never use the cord for carrying, pulling or unplugging the power tool. Keep cord away from heat, oil, sharp edges or moving parts.** Damaged or entangled cords increase the risk of electric shock.
- **When operating a power tool outdoors, use an extension cord suitable for outdoor use.** Use of a cord suitable for outdoor use reduces the risk of electric shock.
- **If operating a power tool in a damp location is unavoidable, use a Residual Current Device (RCD) protected supply.** Use of an RCD reduces the risk of electric shock.

Personal safety

- **Stay alert, watch what you are doing and use common sense when operating a power tool. Do not use a power tool while you are tired or under the influence of drugs, alcohol or medication.** A moment of inattention while operating power tools may result in serious personal injury.
- **Use personal protective equipment. Always wear eye protection.** Protective equipment such as dust mask, non-skid safety shoes, hard hat, or hearing protection used for appropriate conditions will reduce personal injuries.
- **Prevent unintentional starting. Ensure the switch is in the off-position before connecting to power source and/ or battery pack, picking up or carrying the tool.** Carrying power tools with your finger on the switch or energising power tools that have the switch on invites accidents.
- **Remove any adjusting key or wrench before turning the power tool on.** A wrench or a key left attached to a rotating part of the power tool may result in personal injury.
- **Do not overreach. Keep proper footing and balance at all times.** This enables better control of the power tool in unexpected situations.
- **Dress properly. Do not wear loose clothing or jewellery. Keep your hair, clothing and gloves away from moving parts.** Loose clothes, jewellery or long hair can be caught in moving parts.

- **If devices are provided for the connection of dust extraction and collection facilities, ensure these are connected and properly used.** Use of these devices can reduce dust-related hazards

Power tool use and care

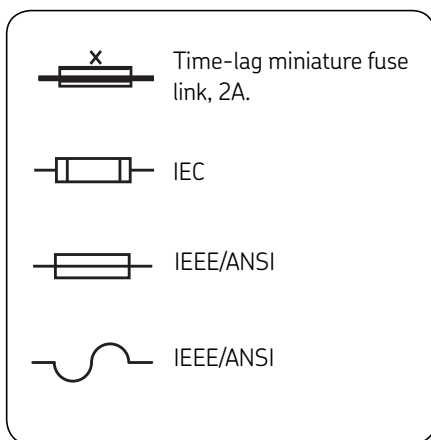
- **Do not force the power tool. Use the correct power tool for your application.** The correct power tool will do the job better and safer at the rate for which it was designed.
- **Do not use the power tool if the switch does not turn it on and off.** Any power tool that cannot be controlled with the switch is dangerous and must be repaired.
- **Disconnect the plug from the power source and/or the battery pack from the power tool before making any adjustments, changing accessories, or storing power tools.** Such preventive safety measures reduce the risk of starting the power tool accidentally
- **Store idle power tools out of the reach of children and do not allow persons unfamiliar with the power tool or these instructions to operate the power tool.** Power tool is dangerous in the hands of untrained users.
- **Maintain power tools. Check for misalignment or binding of moving parts, breakage of parts and any other condition that may affect the power tool’s operation. If damaged, have the power tool repaired before use.** Many accidents are caused by poorly maintained power tools.
- **Keep cutting tools sharp and clean.** Properly maintained cutting tools with sharp cutting edges are less likely to bind and are easier to control.
- **Use the power tool, accessories and tool bits etc., in accordance with these instructions and in the manner intended for the particular type of power tool, taking into account the working conditions and the work to be performed.** Use of the power tool for operations different from those intended could result in a hazardous situation.

Battery tool use and care

- **Recharge only with the battery charger specified by the manufacturer.** A charger that is suitable for one type of battery pack may create a risk of fire when used with another battery pack.
- **Use power tools only with specifically designated battery packs.** Use of any other battery packs may create risk of injury and fire.
- **When battery pack is not in use, keep it away from other metal objects, like paper clips, coins, keys, nails, screws or other small metal objects, that can make a connection from one terminal to another.** Shorting the battery terminals together may cause burns or a fire.
- **Under abusive conditions, liquid may be ejected from the battery; avoid contact. Liquid ejected from battery may cause irritation or burns. If contact accidentally occurs, flush with water. If liquid contacts eyes, seek medical help.** Liquid ejected from the battery may cause irritation or burns.

Service

- **Have your power tool serviced by a qualified repair person using only identical replacement parts.** This will ensure that the safety of the power tool is maintained.



Specific safety

Use only SKF TLGB 20-3 high pressure hose 900 mm (36 in.) with coupler. Grease injection injuries are a very serious injury. Hold the hose only in the area of the spring guard. Avoid accidental starting. Be sure switch is not pressed when inserting battery pack.

Replace the hose at the first sign of wear, kink or damage to the outside jacket. Do not bend the hose so that it becomes kinked.

Do not overreach. Keep proper footing and balance at all times. Proper footing and balance enable better control of the tool in unexpected situations.

Use safety equipment. Always wear eye protection.

Dust mask, non-skid safety shoes, hard hat or hearing protection must be used for appropriate conditions.

The gun uses lubricants, that may be flammable and poisonous if ingested. Do not use gun near open flame or other fire hazards. Do not use flammable greases with this grease gun.

Grease is often marketed as high temperature because it must maintain its lubricating properties in hot areas, but the lubricant may be flammable if the temperature is too high. Please read all warnings on lubricants before using this gun.

Do not use flammable greases with this grease gun.

WARNING

Do not use any hose that has not been approved by SKF. Extreme pressure may cause nozzle extension or whip hose to burst.

Replace hose at first sign of wear, kinks, or damage to outside jacket.

Follow whip hose instructions and warnings. Failure to comply may result in serious injury or death.

DANGER

Grease gun can develop high pressure up to 700 bar (10 000 psi). Use safety glasses and gloves for protection during operation. Keep hands clear of exposed rubber portion of hose.

Failure to comply may result in serious injury and/or death.

Residual risks

Additional residual risks may arise when using the tool which may not be included in the enclosed safety warnings. These risks can arise from misuse, prolonged use etc.

Even with the application of the relevant safety regulations and the implementation of safety devices, certain residual risks can not be avoided.

These include:

- Injuries caused by touching any rotating/moving parts.
- Injuries caused when changing any parts, accessories.
- Injuries caused by prolonged use of a tool. When using any tool for prolonged periods ensure you take regular breaks.
- Impairment of hearing.
- Health hazards caused by breathing dust developed when using your tool (example: -working with wood, especially oak, beech and MDF.)

Vibration

The declared vibration emission values stated in the technical data and the declaration of conformity have been measured in accordance with a standard test method provided by EN 60745 and may be used for comparing one tool with another.

The declared vibration emission value may also be used in a preliminary assessment of exposure.

Notice

Vibration emission value during actual use of power tool can differ from declared value depending on ways tool is used. Vibration level may increase above level stated.

When assessing vibration exposure to determine safety measures required by 2002/44/EC to protect persons regularly using power tools in employment, an estimation of vibration exposure should consider, the actual conditions of use and the way the tool is used, including taking account of all parts of the operating cycle such as the times when the tool is switched off and when it is running idle in addition to the trigger time.

WARNING



Do not operate this grease gun without reading instruction manual.

Failure to comply may result in serious injury and/or death.

Maintenance

Designed to operate over a long period of time, with a minimum of maintenance. Continuous satisfactory operation depends upon proper tool care and regular cleaning.

Your charger does not require any maintenance other than regular cleaning.

WARNING

Do not perform maintenance on this grease gun with the battery installed.

Do not clean the charger while plugged into an electrical outlet.

Failure to comply may result in serious injury and/or death.

Notice

Regularly clean ventilation slots in tool and charger using a soft brush or dry cloth.

Regularly clean motor housing using a damp cloth. Do not use any abrasive or solvent-based cleaner.

Protecting the environment

Should you find one day that your SKF product needs replacement, or if it is of no further use to you, do not dispose of it with household waste. Make this product available for separate collection.



Separate collection. This product must not be disposed of with normal household waste.

Local regulations may provide for separate collection of electrical products from the household, at municipal waste sites or by the retailer when you purchase a new product.



Separate collection of used products and packaging allows materials to be recycled and used again.

Re-use of recycled materials helps prevent environmental pollution and reduces the demand for raw materials.



Run the battery down completely, then remove it from the tool.

NiCd, NiMH and Li-Ion batteries are recyclable. Take them to any authorized repair agent or local recycling.

Safety instructions for battery and charger

Save these instructions

This manual contains important safety and operating instruction for the SKF TLGB 20-5 and SKF TLGB 20-6 battery chargers.

DANGER

Do not probe with conductive objects.
Risk of Electric Shock 120 V AC or 230 V AC present at charger terminals.
Failure to comply may result in serious injury or death.

Read all instructions

Batteries

- Never attempt to open for any reason.
- Do not expose the battery to water.
- Do not store in locations where the temperature may exceed 50 °C (122 °F) such as outside sheds or metal buildings in the summer.
- Charge only at ambient temperatures between 5 and 40 °C (40 and 105 °F).
- Charge only using the charger provided with the tool.
- When disposing of batteries, follow the instructions given in the section **Protecting the environment**, page 5.

DANGER



Do not expose battery to fire.

DANGER

Do not expose battery to spark or flame. Battery liquid may burn.

Do not splash or immerse in water or other liquids. This may cause premature cell failure.

Failure to comply may result in serious injury or death.

DANGER

Never attempt to open battery pack for any reason. If plastic housing of battery pack breaks or cracks, return to service center for recycling.

Failure to comply may result in serious injury or death.

DANGER



Do not charge damaged battery.

Replace immediately.

Failure to comply may result in serious injury or death.

Charger

- Before using a battery charger, read all instructions and cautionary markings on battery charger, battery pack, and product using battery.
- Do not expose charger to rain, snow or frost.

DANGER

Do not charge SKF TLGB 20-2 battery packs with any other charger.

To reduce risk of injury, SKF TLGB 20-5 and TLGB 20-6 chargers should only be used to charge SKF TLGB 20-2 battery packs. Other types of batteries may burst.

Failure to comply may result in serious personal injury or death.

- Do not abuse cord. Never carry charger by cord or pull on it to disconnect from receptacle. Pull by plug rather than cord when disconnecting charger. Have damaged or worn power cord and strain reliever replaced immediately. Do not attempt to repair power cord.
- Make sure cord is located so that it will not be stepped on, tripped over, or otherwise subjected to damage or stress.
- Do not use an extension cord unless absolutely necessary. Use of improper extension cord could result in a risk of fire and electric shock.
- Do not operate charger with damaged cord or plug. Replace immediately, to avoid a hazard. Do not attempt to repair power cord.
- Do not operate charger if it has received a sharp blow, been dropped, or otherwise damaged in any way, take it to a qualified service center.
- Do not disassemble charger or battery pack. Take it to a qualified service center when service or repair is required. Incorrect reassembly may result in risk of electrical shock or fire.
- Unplug charger from outlet before attempting any cleaning to reduce risk of electric shock.
- Charge the battery pack in a well ventilated place; do not cover the charger and battery with anything while charging.

- Do not store the charger or battery packs in locations where the temperature may reach or exceed 50 °C (122 °F) such as a metal tool shed, or a car in the summer which can lead to deterioration of the battery.
- Do not charge battery pack when the temperature is below 5 °C (40 °F) or above 40 °C (105 °F). This is very important for proper operation.
- Do not incinerate battery pack. It can explode in a fire.
- Do not charge battery in damp or wet locations.
- Do not short across the terminals of the battery pack. Extremely high temperatures could cause personal injury or fire.
- This appliance is not intended for use by persons (including children) with reduced physical, sensory or mental capabilities. Do not use this appliance if not experienced or have knowledge of how it operates.
- Dispose of expended batteries properly. The SKF TLGB 20-2 battery pack contains rechargeable, lithium-ion batteries. These batteries must be recycled or disposed of properly. Drop off expended battery packs at your local replacement battery retailer, or your recycling center.

Safety of others

This appliance is not intended for use by persons (including children) with reduced physical, sensory or mental capabilities, or lack of experience and knowledge, unless they have been given supervision or instruction concerning use of the appliance by a person responsible for their safety.

Children should be supervised to ensure that they do not play with the appliance.



The charger is intended for indoor use only.



Read the instruction manual before use.

Electrical safety



Charger is double insulated; therefore no ground wire is required. Always check mains voltage corresponds to voltage on rating plate.

Never attempt to replace charger unit with a regular mains plug.

- If the supply cord is damaged, it must be replaced by the manufacturer or an authorized SKF service center in order to avoid a hazard.

Tool use and care

Do not continue to hold down trigger if grease gun is stalled. This could damage the motor or cause fire.

Disconnect battery pack from tool before making any adjustments, changing accessories, or storing the tool. Such preventive safety measures reduce the risk of starting the tool accidentally.

Store the tools out of reach of children and other untrained persons. Tools are dangerous in the hands of untrained users.

If damaged, have the tool serviced before using. Many accidents are caused by poorly maintained tools.

Use only accessories that are recommended by SKF.

Only accessories that are capable of handling 700 bar (10 000 psi) should be used. Accessories that may be suitable for one tool may create a risk of injury when used on another tool.

Specifications

SKF battery driven grease gun TLGB 20

Operating power	14,5 to 20 V DC
Maximum operating pressure:	
Low output	400 bar (6 000 psi)
High output	400 bar (6 000 psi)
Grease reservoir capacity	411 g (14.5 oz)
Maximum peak pressure	700 bar (10 000 psi)
Operating temperature range	-20 to 50 °C (0 to 120 °F)
Operating current	4 A at -6 to 54 °C (20 to 130 °F)
Rated current	5 A at -6 to 54 °C (20 to 130 °F)
Lubricant (grease)	up to NLGI #2
Grease output:	
Low output (L)	100 ml/min. (3.5 oz/min.)
High output (H)	160 ml/min. (5.5 oz/min.)
Weight	3,0 kg (6.5 lb)
Accessories:	
Battery li-ion	TLGB 20-2
Output	20 V DC maximum
Capacity	1 500 mAh
Battery charger	TLGB 20-5
Charge time	1,5 hours
Input, V AC (0,4 A)	220-240 V, 50/60 hz
Battery charger	TLGB 20-6
Charge time	1,5 hours
Input, V AC (0,6 A)	120 V, 60 hz
Outlet hose	TLGB 20-3
Pressure rating	700 bar (10 000 psi)
Length of the hose	900 mm (36 in.)
Sound pressure	LpA 69,5 dB(A), uncertainty (K), 3 dB(A),
Acoustic power	LwA 80,5 dB(A), uncertainty (K), 3 dB(A),
Vibration emission value (ah)	0,6 m/s ² , uncertainty (K) 1,5 m/s ²

Note 1: Operating current and grease output data at 70 bar (1 000 psi).

Note 2: The declared vibration total value has been measured in accordance with a standard test method and may be used for comparing one tool with another and the declared vibration total value may also be used in a preliminary assessment of exposure.

Note 3: The vibration emission during actual use of the power tool can differ from the declared total value depending on the ways in which the tool is used; and of the need to identify safety measures to protect the operator that are based on an estimation of exposure in the actual conditions of use (taking account of all parts of the operating cycle such as the times when the tool is switched off and when it is running idle in addition to the trigger time).

Note 4: Flow meter accuracy compromised below freezing.

Model

Sales model	Components included
TLGB 20	Grease gun with battery, charger 230 V AC and carrying case
TLGB 20/110V	Grease gun with battery, charger 110V AC and carrying case
TLGB 20-5	Charger 230 V AC
TLGB 20-6	Charger 110 V AC
TLGB 20-2	Battery pack

General description

The SKF TLGB 20 is a lithium-ion battery operated grease gun and was developed for manual lubrication of grease points including a light emitting diode (LED) and electronic control center.

The SKF battery driven grease gun is driven by a small, low voltage electric motor connected to a gear transmission. The rotary motion of the motor is converted into a reciprocating motion of the plunger using a yoke mechanism. The SKF battery driven grease gun is a positive displacement single acting pump.

Technology incorporated into the TLGB 20 includes:

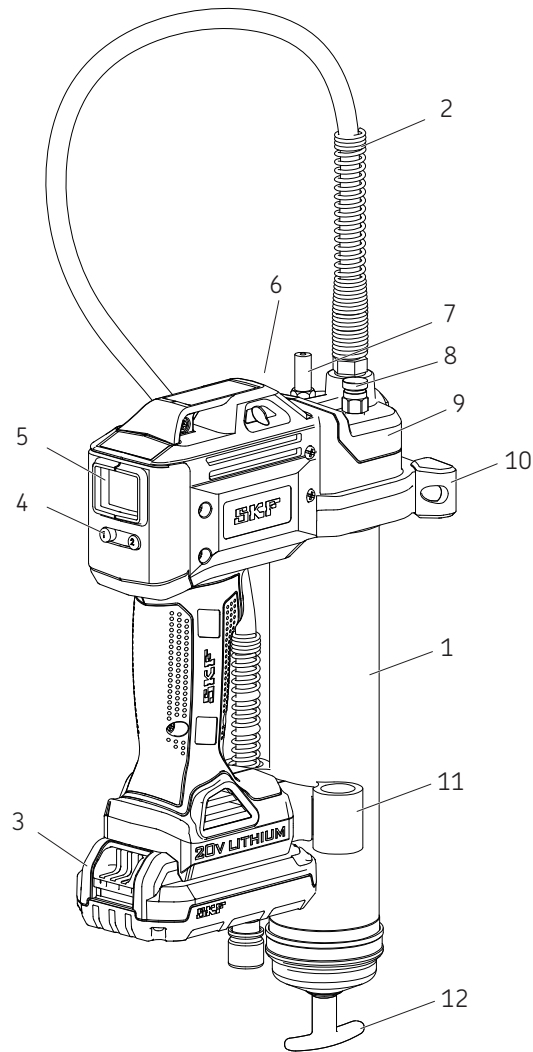
- Motor protection preventing overload due to excessive current draw. The display will flash red when this occurs.
- An LCD showing battery charge, pump speed and grease output.
- An illuminating LED to help locate grease fittings in dim light.

Inspection

Visually inspect for damaged, loose or missing parts. If equipment is worn or damaged, remove from service. Contact an authorized service center for damage assessment or repair.

Fig. 1

SKF battery driven grease gun TLGB 20



Parts

Item	Description	Item	Description
1	Grease tube assembly	7	Bulk valve
2	Hose	8	Vent valve
3	Battery	9	Pump assembly
4	Control button	10	Support
5	Display	11	Hose holder
6	LED	12	Follower handle

TLGB 20 Set up

Install/replace grease cartridge

- 1 Loosen the grease tube assembly (1) from the pump assembly (9) a few turns, but do not remove.
- 2 Pull back on the follower handle (12) and latch the follower rod groove into the slot on the tube cap (→ fig. 2).
- 3 Unscrew the grease tube assembly (1) from the grease gun.
- 4 Remove the plastic cap from the grease cartridge and insert cartridge into the container tube.
- 5 Remove pull tab from grease cartridge and screw the grease tube assembly (1) into the pump assembly (9).
- 6 Thread grease tube assembly (1) back onto the power head.

- 7 Using follower handle (12), release follower rod from slot.
- 8 Purge air from grease tube by unscrewing vent valve (8) 2-3 turns until grease flows from the valve (→ fig. 1, pg. 9).
- 9 Retighten vent valve (8). Refer to **Expelling air pockets, pg. 12.**

! Notice
Air pockets in lubricant will cause gun to lose prime.

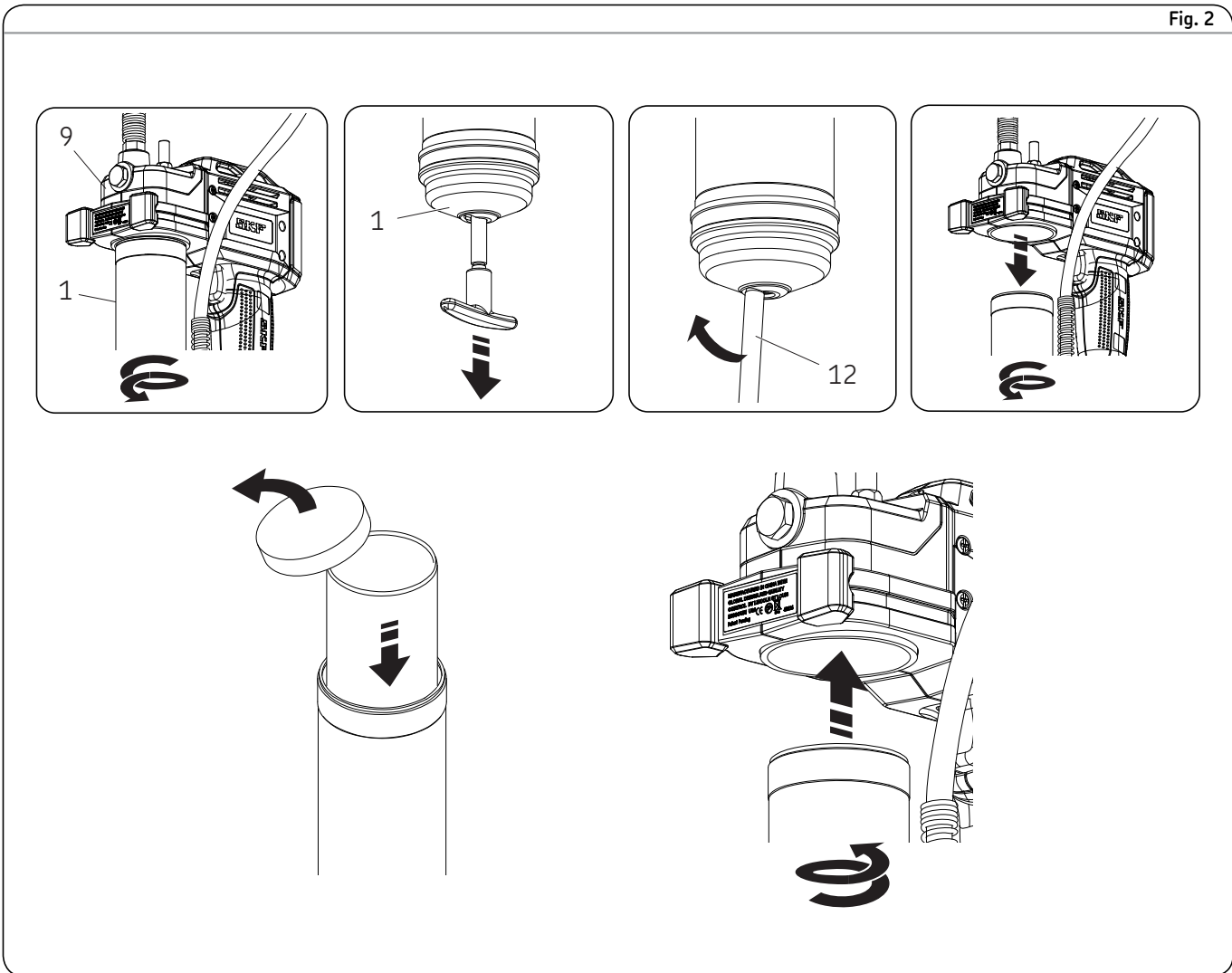
Prime the grease gun

Prime the cordless grease gun after each refill or grease cartridge change.

Priming instructions

Prime the cordless grease gun after each refill or grease cartridge change.

- 1 Open vent valve (8) (→ fig. 1, pg. 9).
- 2 Squeeze gun trigger until grease flows from vent valve.
- 3 Close vent valve.
- 4 Press button "1" (4) 3 seconds to clear display (5) of previous reading (→ fig. 3, pg. 11).



Operation

Display and light

To turn display (5) "on", either:

- Push button "1" (4) (→ fig. 3)
- Squeeze the trigger/switch.

To turn light "on/off":

- Push button "1" (4).

Display and light shut off automatically after 30 seconds if gun is not operating.

Speed selection

Pressing button "2" (4) switches the tool between high and low pump speed. The letter "L" or "h" will be displayed on the screen.

High delivers 160 ml/min. (5.5 oz/min.) at 69 bar (1 000 psi) back pressure.

Low delivers 100 ml/min. (3.5 oz/min.) at 69 bar (1 000 psi) back pressure.

Switching units

Switch units of measure between ounces or grams by holding button "1" (4) for 15 seconds (→ fig. 3).

Control/monitor grease application:

Refer to the display representations in fig. 4.

- 1 To set display reading to zero, press set button "1" (4) for 3 seconds (→ fig. 4A).

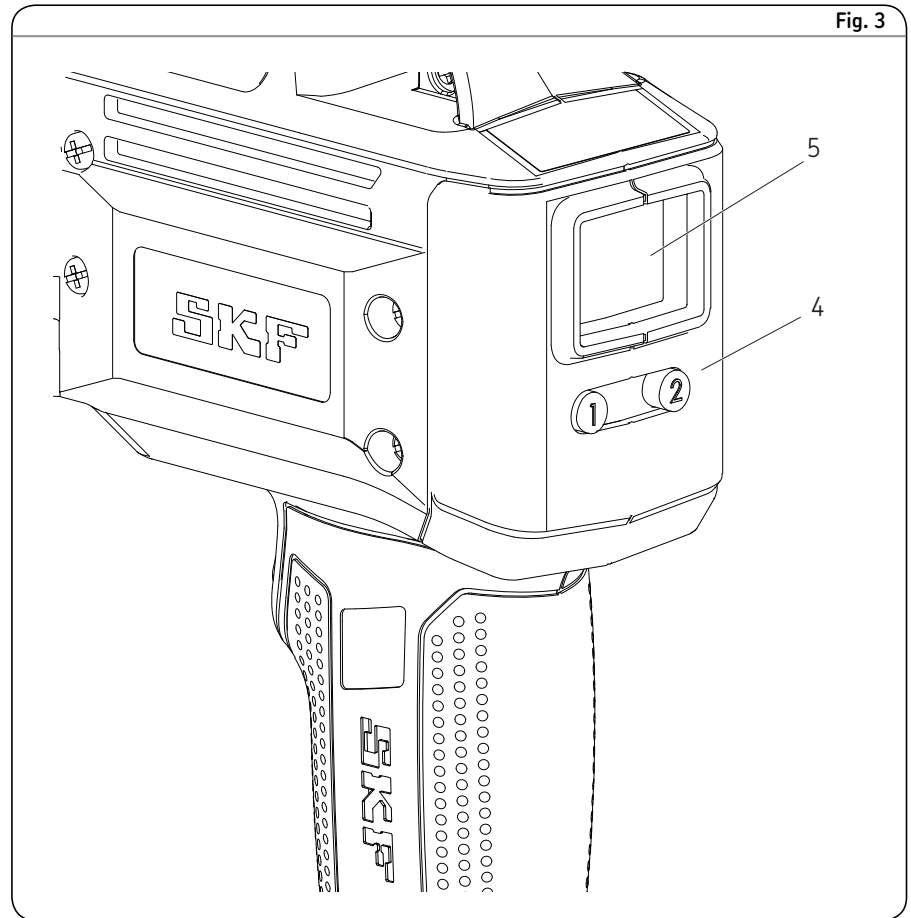


Fig. 3

- 2 Squeeze trigger to run and stop the gun at desired output. (0.6 oz. is shown in fig. 4B).
- 3 Press button "2" (4) to switch between low and high. (→ fig. 4C)
- 4 Press button "1" (4) for 15 seconds to switch between ounces and grams (→ fig. 4C).

! Notice
Grease meter displays output only if grease gun is adequately primed.

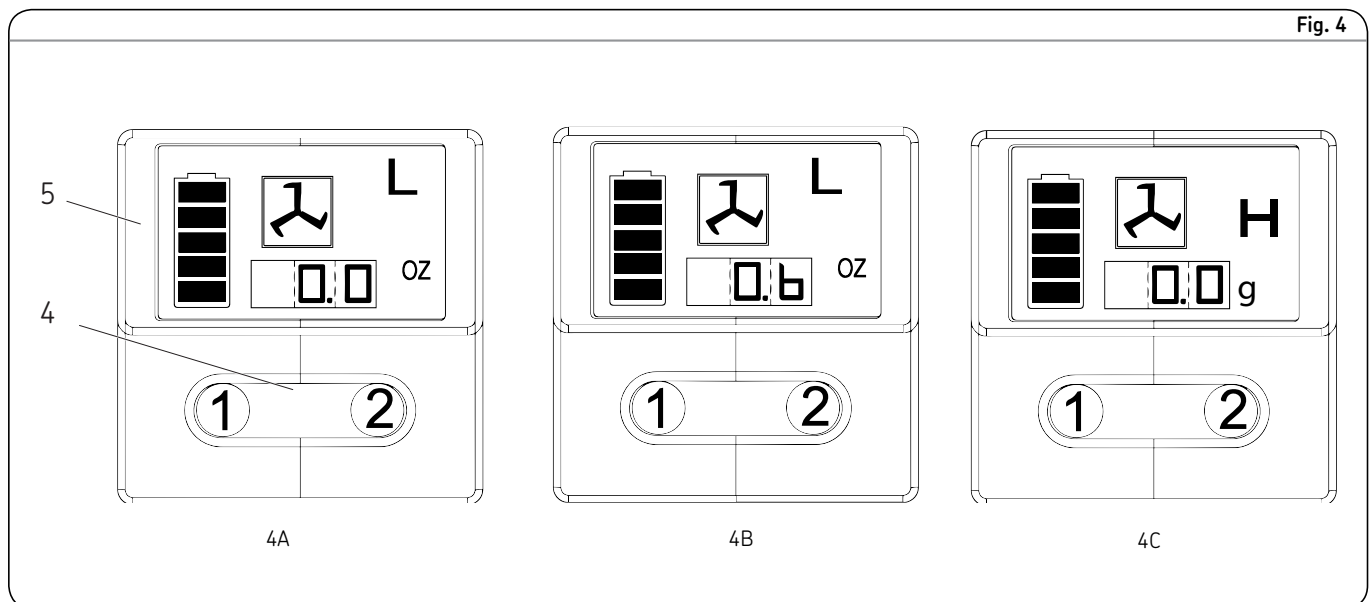


Fig. 4

Refilling options

To fill gun from bulk container

- 1 Remove pump assembly from grease tube assembly.
- 2 Pack lubricant into cavity of the pump assembly.
- 3 Insert the open end of the grease tube assembly into lubricant. Slowly pull the follower handle back while pushing the grease tube assembly deeper into the lubricant to prevent air pockets from being pulled into the grease tube.
- 4 With the follower rod fully extended, pull it sideways to latch the rod groove into the slot in the grease tube assembly cap.
- 5 Loosely assemble the pump to the grease tube assembly. Release the follower rod from the grease tube assembly cap and disengage the follower rod from the follower by rotating the follower handle.
- 6 Push the follower rod into the grease tube assembly.
- 7 Unscrew the grease tube assembly from the pump until lubricant oozes from the interface. Tighten grease tube assembly into the pump assembly.
- 8 Reset display reading after purging air.
- 9 Refer to the section titled **Display and light, (→ page 11).**

To fill gun with filler pump

- 1 Engage the follower rod with the follower by rotating the follower handle.
- 2 Insert the gun bulk fill valve into the filler pump socket.
- 3 Operate the filler pump to fill the container. When the follower rod groove is exposed, the grease tube assembly is full. The follower rod will be extended approximately 20 cm (8 in.). Do not overfill!
- 4 Disengage the follower rod from the follower by rotating the follower handle.
- 5 Push the follower rod into the grease tube assembly.
- 6 Reset display reading after purging air.
- 7 Refer to the section titled **Display and light, (→ page 11).**



Notice

Remove air pocket!

Air pocket at grease inlet will prevent grease from being pumped. Unscrew vent valve three to four turns to remove small air pockets trapped in this area. If air pocket is substantial and no grease flows from coupler after trigger is pulled for 15 seconds, refer to **Expelling air pockets.**

Expelling air pockets (air purging)

- 1 Withdraw the follower rod from the grease tube assembly cap and engage it with the follower by rotating the follower handle.
- 2 Unscrew the plug of vent valve 3 to 4 turns. Exert force on the follower handle until grease flows through the small hole in the side of the vent valve.
- 3 Tighten the vent valve.
- 4 Pull the trigger in short bursts to operate gun until trapped air is expelled.
- 5 Disengage the follower rod from the follower by rotating the follower handle.
- 6 Push the follower rod into the grease tube assembly.
- 7 If step 2 fails, unscrew the grease tube assembly 3 turns from the pump assembly.
- 8 Exert force on the follower handle until lubricant oozes from the grease tube assembly and pump assembly interface.
- 9 Retighten grease tube into the pump assembly.
- 10 Disengage the follower rod from the follower by rotating the follower handle.
- 11 Push the follower rod into the grease tube assembly.
- 12 Reset display reading after purging air.
- 13 Refer to the section titled **Display and light, (→ page 11).**

Charger operation

Charging battery pack

Before using your SKF Battery Driven Grease Gun for the first time, the battery pack should be fully charged. If the battery pack is installed in the grease gun, remove it and follow charging procedure.

SKF chargers are designed to charge SKF lithium-ion batteries in 30 to 90 minutes depending on the battery's state of charge and temperature.

Charging procedure





Make sure power circuit voltage is the same as shown on the charger specification plate.

- 1 Plug the charger into an appropriate outlet before inserting battery pack.
- 2 Insert the battery pack into the charger. The green (charging) light will blink continuously indicating that the charging process has started.
- 3 The completion of charge will be indicated by the green light remaining on continuously. The pack is fully charged and may be used at this time.
- 4 Disconnect charger from power source when not in use.

CAUTION

Do not probe with conductive objects. 120/230 V AC present at charging terminals. Failure to comply may result in death or personal injury.

Indicator light operation

-  The charge is complete (solid green).
-  Battery is charging (flashing green).
-  Red, at a fast rate. Replace battery.
-  Charger detected a weak or damaged battery. Stop charging battery. Hot/cold pack delay. Charger detected a battery that is excessively hot or cold. It automatically starts a hot/cold pack delay, suspending charging until temperature of battery has normalized. After this, charger automatically switches to battery charging mode.

Notice

Battery temperature will increase during and shortly after use. Batteries may not accept a full charge if they are charged immediately after use. Allow the battery pack to cool to room temperature before charging for best results.

Notice

Vent slots in top and bottom of charger must not be obstructed. Do not charge battery when temperature is below 5 °C (40 °F) or above 40 °C (104 °F).

Important charging notices

Longest life and best performance can be obtained if the battery is charged when the air temperature is between 18 and 24 °C (65 and 75 °F). Do not charge the battery in an air temperature below 5 °C (40 °F) or above 40 °C (105 °F). This is important and will prevent serious damage to the battery.

- 1 The charger and battery may become warm to the touch while charging. This is a normal condition, and does not indicate a problem.
- 2 If the battery does not charge properly:
 - 2.1 Check current at receptacle by plugging in a lamp or other appliance.
 - 2.2 Check to see if the receptacle is connected to a light switch which turns power off when you turn out the lights.
 - 2.3 Move charger and battery to a location where the surrounding air temperature is between approximately 18 and 24 °C (65 and 75 °F).
 - 2.4 If charging problems persist, take the tool, battery and charger to your local service center.
- 3 The battery should be recharged when it fails to produce sufficient power on jobs. Do not continue to use under these conditions. Follow the charging procedure. You may also charge a partially used pack whenever you desire with no adverse affect on the battery.

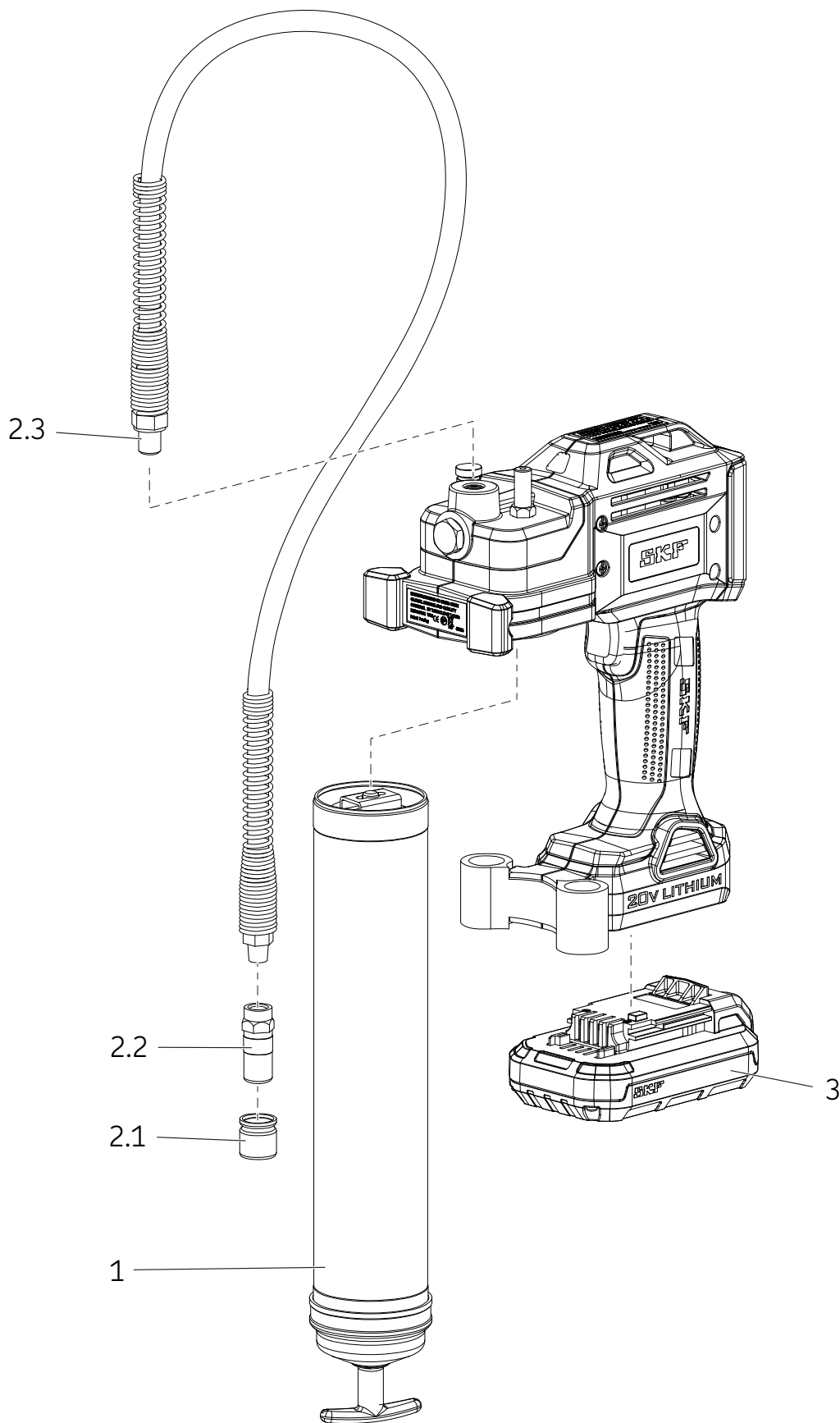
- 4 Under certain conditions, with the charger plugged into the power supply, the exposed charging contacts of the charger can be shorted by foreign material. Foreign materials of a conductive nature such as, but not limited to, steel wool, aluminium foil, or any buildup of metallic particles should be kept away from charger cavities. Always unplug the charger from the power supply when there is no battery in the cavity. Unplug charger before attempting to clean.

WARNING

Do not allow any liquid to get inside charger. Electric shock may result.

To facilitate cooling of battery pack after use, avoid placing charger or battery pack in a warm environment such as a metal shed or an non-insulated trailer.

Failure to comply may result in serious injury or death.



Service parts/kits list

Item	Description	Part number	Qty
1	Grease tube assembly	TLGB 20-4	1
2	Flexible hose kit	TLGB 20-3	1
2.1	Cap		1
2.2	Coupling		1
2.3	Flexible hose 36 in. (914 mm) with gasket		1
3	Battery pack 20 V (lithium)	TLGB 20-2	1
NS*	Battery charger (lithium) 220-240 volt	TLGB 20-5	1
NS	Battery charger (lithium) 110 volt	TLGB 20-6	1
NS	Shoulder strap	TLGB 20-1	1

* Not shown

Troubleshooting

Condition	Cause	Corrective action
Grease gun fails to dispense grease.	Grease tube assembly is out of grease.	Check that grease tube assembly has grease.
	Loss of prime.	Repeat priming operation.
	Ball check (16) is not functioning.	Remove ball check (16) , clean and inspect ball seat area.
	Clogged whip hose.	Clean or replace whip hose. Remove blockages.
Display flashing red due to motor overload.	Blocked lube point.	Clean or replace whip hose.
	Clogged whip hose.	Empty grease tube assembly, refill and repeat priming instructions.
Grease gun continues to lose prime.	Air trapped in several locations in container after bulk filling.	Disassemble grease tube assembly and clean. Be sure that follower has properly entered the grease cartridge.
	Follower binding in grease tube assembly.	Disassemble grease tube assembly and clean. Be sure that follower has properly entered the grease cartridge.
		Verify that the follower is not caught on the rim of the grease cartridge.
		Replace grease tube assembly (14) if damaged.
Battery fails to take a charge.	Check ball seat (16) and check ball dirty.	Clean check ball (16) and check ball seat.
	No power to charger.	Check that receptacle has power.
	Battery may be bad.	Replace battery.
	Battery needs charging.	Recharge battery.
Motor fails to run.	Faulty wiring to motor.	Remove battery, disassemble handle and check wiring connections on terminal, trigger switch and motor.

The Power of Knowledge Engineering

Combining products, people, and application-specific knowledge, SKF delivers innovative solutions to equipment manufacturers and production facilities in every major industry worldwide. Having expertise in multiple competence areas supports SKF Life Cycle Management, a proven approach to improving equipment reliability, optimizing operational and energy efficiency and reducing total cost of ownership.

These competence areas include bearings and units, seals, lubrication systems, mechatronics, and a wide range of services, from 3-D computer modelling to cloud-based condition monitoring and asset management services.

SKF's global footprint provides SKF customers with uniform quality standards and worldwide product availability. Our local presence provides direct access to the experience, knowledge and ingenuity of SKF people.

© SKF is a registered trademark of the SKF Group.

© SKF Group 2015

The contents of this publication are the copyright of the publisher and may not be reproduced (even extracts) unless prior written permission is granted. Every care has been taken to ensure the accuracy of the information contained in this publication but no liability can be accepted for any loss or damage whether direct, indirect or consequential arising out of the use of the information contained herein.

SKF PUB LS/14 15885 EN - July 2015

