

# INSTALLATION INSTRUCTIONS

## SSB-257, SSM-257, SLB-257 and SLM-257 Interface Brackets

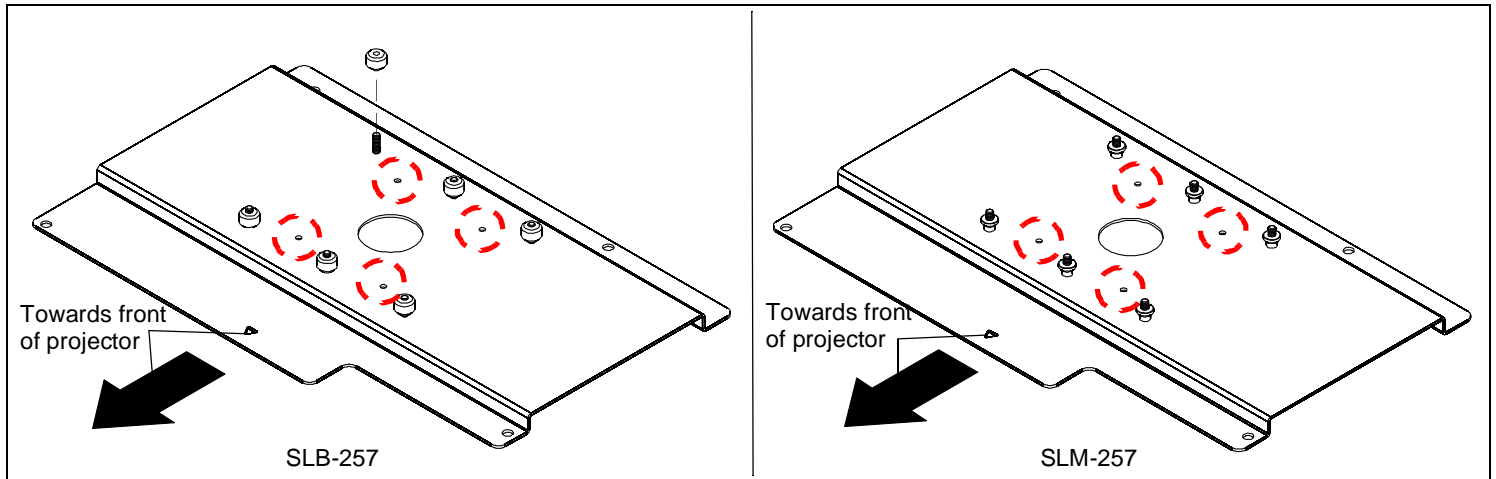
SSB-257, SSM-257, SLB-257 and SLM-257 Interface Brackets are designed for use with Chief® Series Projector Mounts. See the specific installation instructions provided with the mount for additional installation information.

Unpack carton and verify kit contents. If any listed parts are missing, immediately contact a Chief Customer Service representative.



**WARNING: IMPROPER INSTALLATION CAN LEAD TO EQUIPMENT FALLING CAUSING SERIOUS PERSONAL INJURY AND DAMAGE TO EQUIPMENT! DO NOT substitute hardware. Use only hardware supplied by manufacturer!**

- |                             |  |
|-----------------------------|--|
| (1) Interface Bracket       | (4) Screw, Phillips Pan Head, Machine, M6 x 10mm |
| (6) 10-24 Thumb Nuts **     | (4) Washer, M6                                   |
| (1) All-Points Security Kit | (1) 5/32" Security Hex Key                       |



\*\*Only used when installing SLB/SSB interface brackets.

**NOTE:** Specific to SSB-style and SSM-style interface bracket installation: All appropriate screws come pre-installed in the circled locations. DO NOT attempt to substitute and USE ONLY this pre-installed hardware for SSB-style and SSM-style interface bracket installation.

### Installation Instructions



**WARNING: OVER TIGHTENING OF SCREWS CAN DAMAGE PARTS AND CAN LEAD TO SERIOUS PERSONAL INJURY AND DAMAGE TO EQUIPMENT! DO NOT over tighten screws when installing interface brackets.**

**NOTE:** Step 1 is only required when installing an SLB/SSB interface bracket. If an SLM/SSM bracket is being installed, proceed to step 2.

1. Screw thumb screws onto 10-24 x 5/8" Phillips pan head screws. DO NOT fully tighten thumb screws at this time.
2. Turn projector upside down on a flat surface.
3. Place interface bracket onto bottom of projector, aligning the mounting holes in bracket with threaded inserts in bottom of projector, and ensuring that triangle in bracket points towards front of projector.
4. Position four M6 x 10mm pan head mounting screws with four M6 flat washers through the mounting holes in bracket into the threaded inserts. Tighten all fasteners at this time, securing the bracket to the projector.

**NOTE:** Security screws can be substituted when mounting Interface bracket to projector by using the parts and installation instructions in the All-Points Security Kit.

Chief® is a registered trademark of Milestone AV Technologies. All rights reserved.



Milestone AV Technologies, and its affiliated corporations and subsidiaries (collectively, "Milestone"), intend to make this manual accurate and complete. However, Milestone makes no claim that the information contained herein covers all details, conditions or variations, nor does it provide for every possible contingency in connection with the installation or use of this product. The information contained in this document is subject to change without notice or obligation of any kind. Milestone makes no representation of warranty, expressed or implied, regarding the information contained herein. Milestone assumes no responsibility for accuracy, completeness or sufficiency of the information contained in this document.