

# INSTALLATION INSTRUCTIONS

## SSB-302, SSM-302, SLB-302 and SLM-302 Interface Brackets

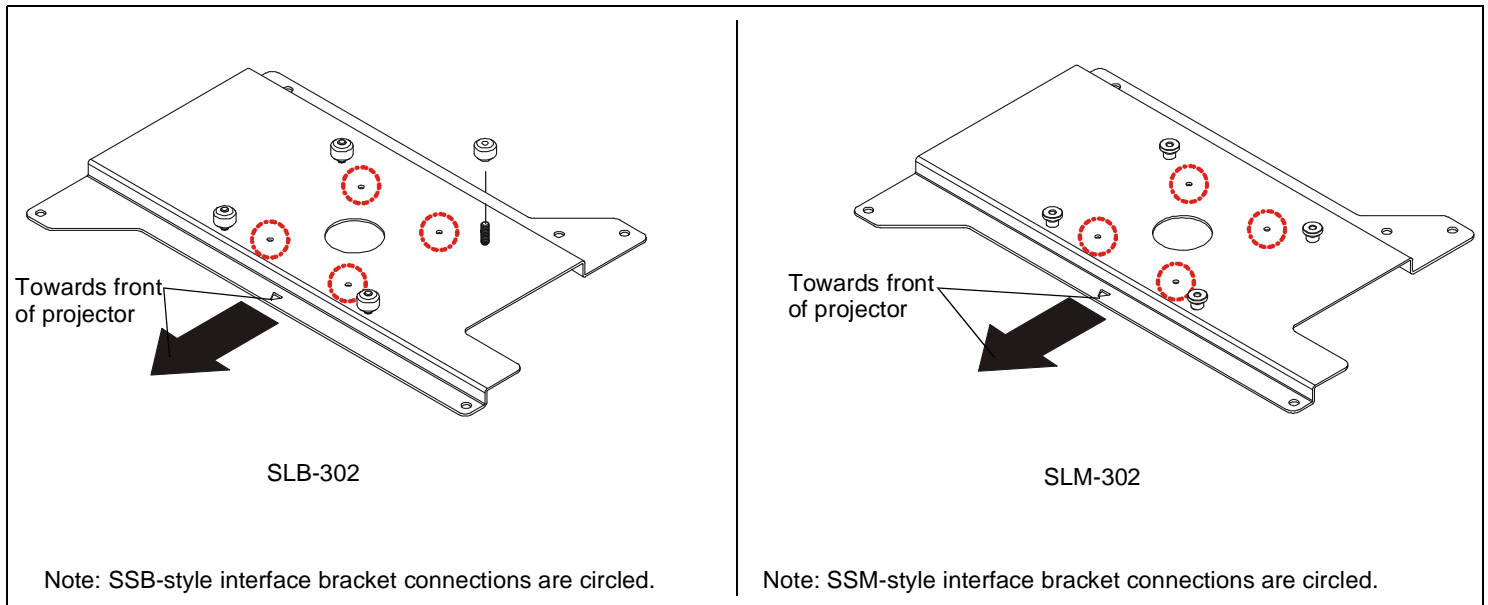
SSB-302, SSM-302, SLB-302 and SLM-302 Interface Brackets are designed for use with Chief® Series Projector Mounts. See the specific installation instructions provided with the mount for additional installation information.

Unpack carton and verify kit contents. If any listed parts are missing, immediately contact a Chief Customer Service representative.



**WARNING: IMPROPER INSTALLATION CAN LEAD TO EQUIPMENT FALLING CAUSING SERIOUS PERSONAL INJURY AND DAMAGE TO EQUIPMENT! DO NOT substitute hardware. Use only hardware supplied by manufacturer!**

- |                             |  |
|-----------------------------|--|
| (1) Interface Bracket       | (5) Screw, Phillips Pan Head, Machine, M6 x 12mm |
| (4) 10-24 Thumb Nuts **     | (5) Washer, M6                                   |
| (1) All-Points Security Kit | (1) 5/32" Security Hex Key                       |



\*\*Only used when installing SLB/SSB interface brackets.

**NOTE:** Specific to SSB-style and SSM-style interface bracket installation: All appropriate screws come pre-installed in the circled locations above. DO NOT attempt to substitute and USE ONLY this pre-installed hardware for SSB-style and SSM-style interface bracket installation.

### Installation Instructions



**WARNING: OVER TIGHTENING OF SCREWS CAN DAMAGE PARTS AND CAN LEAD TO SERIOUS PERSONAL INJURY AND DAMAGE TO EQUIPMENT! DO NOT over tighten screws when installing interface brackets.**

**NOTE:** Step 1 is only required when installing an SLB/SSB interface bracket. If an SLM/SSM bracket is being installed, proceed to step 2.

1. Screw thumb screws onto 10-24 x 5/8" Phillips pan head screws. DO NOT fully tighten thumb screws at this time.
2. Turn projector upside down on a flat surface.
3. Place the interface bracket onto the bottom of the projector, aligning the mounting holes in the bracket with the threaded inserts in the bottom of the projector and ensuring that triangle in bracket points towards front of projector.
4. Position M6 x 12mm mounting screws with M6 flat washers into the threaded inserts and bracket side tabs. Tighten all fasteners at this time, securing the bracket to the projector.

**NOTE:** Security screws can be substituted when mounting Interface bracket to projector by using the parts and installation instructions in the All-Points Security Kit.

Chief® is a registered trademark of Milestone AV Technologies. All rights reserved.

**Touchboards**  
205 Westwood Ave, Long Branch, NJ 07740  
Phone: 866-94 BOARDS (26273) / (732)-222-1511  
Fax: (732)-222-7088 | E-mail: sales@touchboards.com



Milestone AV Technologies, and its affiliated corporations and subsidiaries (collectively, "Milestone"), intend to make this manual accurate and complete. However, Milestone makes no claim that the information contained herein covers all details, conditions or variations, nor does it provide for every possible contingency in connection with the installation or use of this product. The information contained in this document is subject to change without notice or obligation of any kind. Milestone makes no representation of warranty, expressed or implied, regarding the information contained herein. Milestone assumes no responsibility for accuracy, completeness or sufficiency of the information contained in this document.

**CHIEF**  
Our Mounts. Your Vision.

Chief Manufacturing, a products division of Milestone AV Technologies  
6436 City West Parkway, Eden Prairie, MN 55344  
• P: 800.582.6480 / 952.225.6000 • F: 877.894.6918 / 952.894.6918

8800-002200 Rev00  
©2012 Milestone AV Technologies,  
a Duchossois Group Company

06/12