

INSTALLATION INSTRUCTIONS

SLB-304 and SLM-304 Interface Brackets

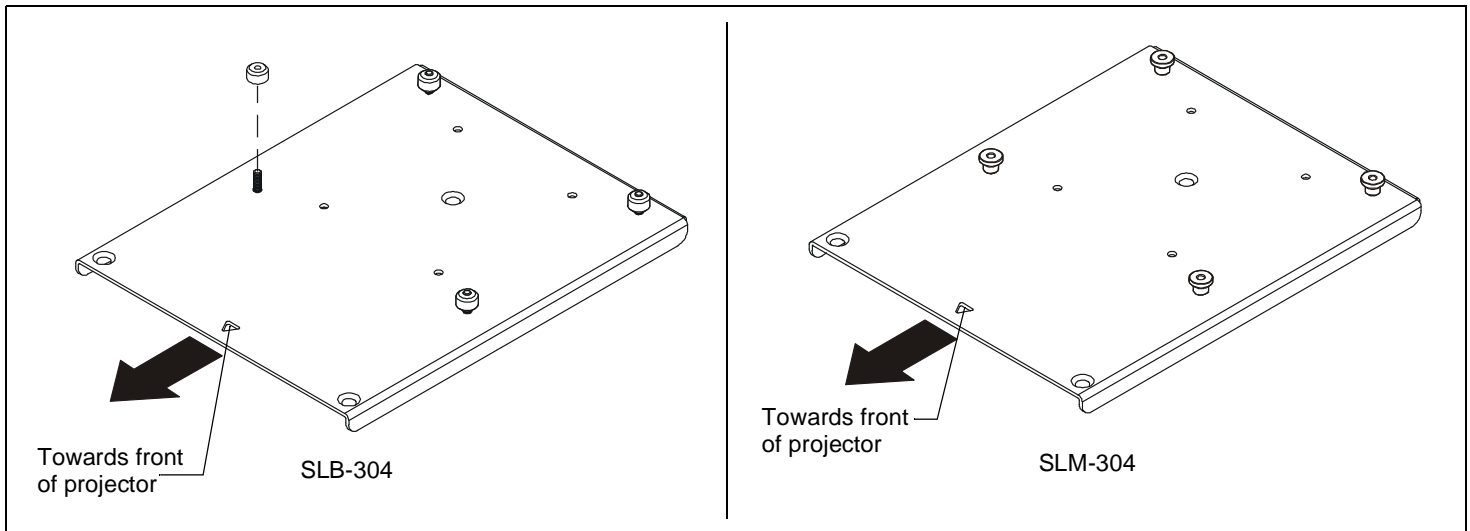
SLB-304 and SLM-304 Interface Brackets are designed for use with Chief® Series Projector Mounts. See the specific installation instructions provided with the mount for additional installation information.

Unpack carton and verify kit contents. If any listed parts are missing, immediately contact a Chief Customer Service representative.



WARNING: IMPROPER INSTALLATION CAN LEAD TO EQUIPMENT FALLING CAUSING SERIOUS PERSONAL INJURY AND DAMAGE TO EQUIPMENT! DO NOT substitute hardware. Use only hardware supplied by manufacturer!

- | | |
|-----------------------------|---|
| (1) Interface Bracket | (3) Screw, Phillips Flat Head, Machine, M5 x 25mm |
| (4) 10-24 Thumb Nuts ** | (3) Spacer, .5 x .257 x .625 |
| (1) All-Points Security Kit | (1) 5/32" Security Hex Key |



Installation Instructions



WARNING: OVER TIGHTENING OF SCREWS CAN DAMAGE PARTS AND CAN LEAD TO SERIOUS PERSONAL INJURY AND DAMAGE TO EQUIPMENT! DO NOT over tighten screws when installing interface brackets.

NOTE: Step 1 is only required when installing an SLB interface bracket. If an SLM bracket is being installed, proceed to Step 2.

1. Screw thumb screws onto 10-24 x 5/8" Phillips pan head screws. DO NOT fully tighten thumb screws at this time.
2. Turn projector upside down on a flat surface.
3. Place spacers over threaded inserts in bottom of projector.
4. Place the interface bracket onto the spacers on the bottom of the projector, aligning the mounting holes in the bracket with the spacers and threaded inserts in the bottom of the projector and ensuring that triangle in bracket points towards front of projector.
5. Position M5 x 25mm mounting screws through the bracket, spacers and into the threaded inserts. Tighten all fasteners at this time, securing the bracket to the projector.

NOTE: Security screws can be substituted when mounting Interface bracket to projector by using the parts and installation instructions in the All-Points Security Kit.

Chief® is a registered trademark of Milestone AV Technologies. All rights reserved.

Touchboards
205 Westwood Ave, Long Branch, NJ 07740
Phone: 866-94 BOARDS (26273) / (732)-222-1511
Fax: (732)-222-7088 | E-mail: sales@touchboards.com



Milestone AV Technologies, and its affiliated corporations and subsidiaries (collectively, "Milestone"), intend to make this manual accurate and complete. However, Milestone makes no claim that the information contained herein covers all details, conditions or variations, nor does it provide for every possible contingency in connection with the installation or use of this product. The information contained in this document is subject to change without notice or obligation of any kind. Milestone makes no representation of warranty, expressed or implied, regarding the information contained herein. Milestone assumes no responsibility for accuracy, completeness or sufficiency of the information contained in this document.

CHIEF
Our Mounts. Your Vision.

Chief Manufacturing, a products division of Milestone AV Technologies
6436 City West Parkway, Eden Prairie, MN 55344
• P: 800.582.6480 / 952.225.6000 • F: 877.894.6918 / 952.894.6918

8800-002239 Rev00
©2012 Milestone AV Technologies,
a Duchossois Group Company

08/12