

INSTALLATION INSTRUCTIONS

SLB-6500 and SLM-6500 Interface Brackets

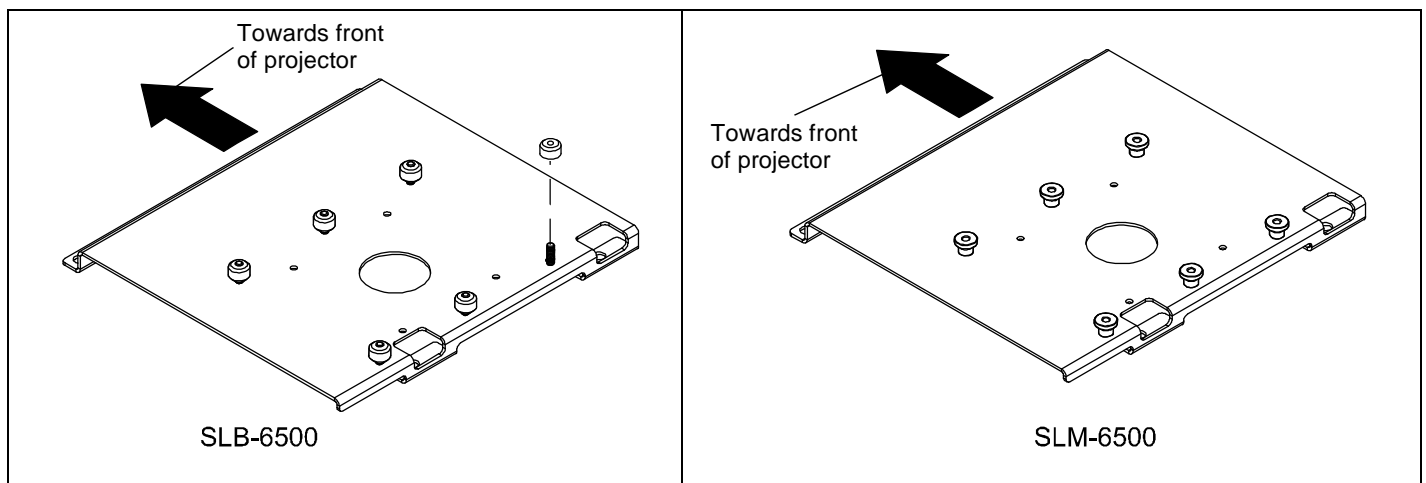
SLB and SLM series Interface brackets are designed for use with Chief RPA, RPM, and Smart-Lift series projector mounts. See the specific installation instructions provided with the mount for additional installation information.

Unpack carton and verify kit contents. If any listed parts are missing, immediately contact a Chief Customer Service representative.



WARNING: IMPROPER INSTALLATION CAN LEAD TO EQUIPMENT FALLING CAUSING SERIOUS PERSONAL INJURY AND DAMAGE TO EQUIPMENT! DO NOT substitute hardware. Use only hardware supplied by manufacturer!

- | | |
|-----------------------------|--|
| (1) Interface Bracket | (4) Screw, Phillips Pan Head, Machine, M6 x 12mm |
| (6) 10 - 24 Thumb Nuts** | (4) Washer, Flat, M6 |
| (1) All-Points Security Kit | (4) Screw, Phillips Pan Head, Machine, M6 x 16mm |
| (1) 5/32" Hex Key | (4) Spacer, Nylon, .320 x .500 x .250 |



**Only used when installing SLB Interface brackets.

Installation:



WARNING: OVERTIGHTENING OF SCREWS CAN DAMAGE PARTS AND LEAD TO SERIOUS PERSONAL INJURY AND DAMAGE TO EQUIPMENT! DO NOT over tighten screws when installing Interface bracket.

NOTE: Step 1 is only required when installing an SLB Interface bracket. If an SLM bracket is being installed proceed to step 2.

1. Screw six thumb screws onto six 10-24 x 5/8" Phillips pan head screws. DO NOT fully tighten thumb screws at this time.
2. Turn projector upside down.
3. Place Interface bracket onto bottom of projector and align four threaded inserts with mounting holes.
4. Secure Interface bracket to projector using four M6 x 12mm Phillips pan head screws and four M6 flat washers.

NOTE: If there is interference when installing the bracket due to the design of certain projector models, use the nylon spacers and longer M6 x 16mm screws instead of the M6 x 12mm screws and M6 flat washers.

NOTE: Security Screws can be substituted when mounting Interface bracket to projector by using the parts and installation instructions in the All-Points Security Kit.

Chief® is a registered trademark of Milestone AV Technologies. All rights reserved.

Milestone AV Technologies, and its affiliated corporations and subsidiaries (collectively, "Milestone"), intend to make this manual accurate and complete. However, Milestone makes no claim that the information contained herein covers all details, conditions or variations, nor does it provide for every possible contingency in connection with the installation or use of this product. The information contained in this document is subject to change without notice or obligation of any kind. Milestone makes no representation of warranty, expressed or implied, regarding the information contained herein. Milestone assumes no responsibility for accuracy, completeness or sufficiency of the information contained in this document.