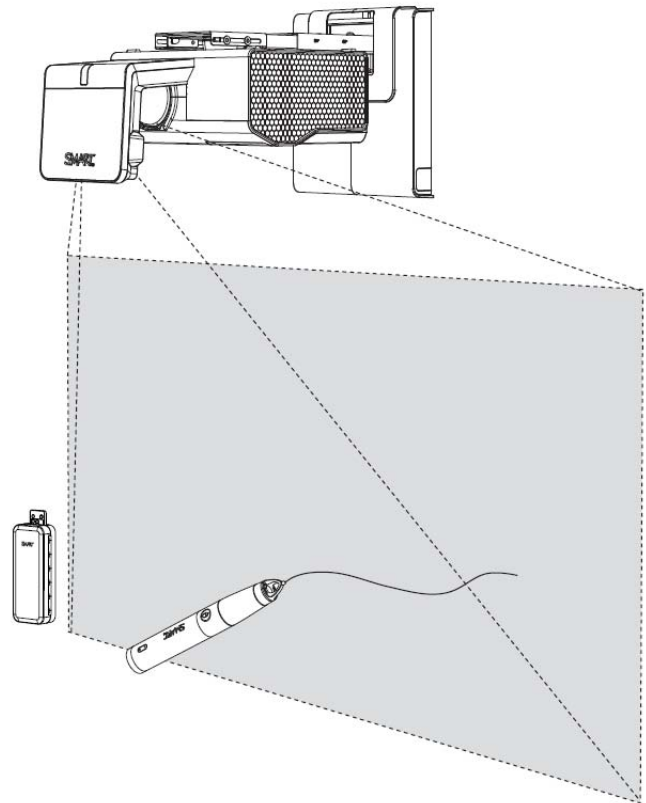


# SMART<sup>®</sup>



## *Service Parts Diagrams*

**For Model:  
SLR40wi**

## Service Parts Diagrams Revision History

### Revision 1 - June, 2012

- New document

### Revision 2 - August, 2012

- Add part number 1016967

### Revision 3 - November, 2013

- Change 20-01623-20 to 1013576

### Standard Warranty Terms

The projector and interactive pen have a three-year limited equipment warranty. The projector lamp has a 1000-hour/one-year warranty.

First Customer Ship: June, 2012

---

#### SMART Technologies

3636 Research Road NW

Calgary, AB T2L 1Y1

CANADA

Support +1.403.228.5940 or Toll Free 1.866.518.6791 (Canada/U.S.)

Support Fax +1.403.806.1256

[www.smarttech.com/contactserviceparts](http://www.smarttech.com/contactserviceparts) [www.smarttech.com](http://www.smarttech.com)



# Service Parts Diagrams for the SLR40wi

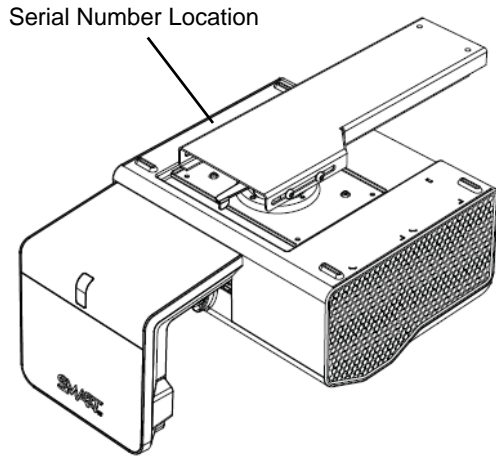
---

Identifying Your Product Using the Serial Number ..... 1  
Ordering Parts ..... 1  
SLR40wi Parts ..... 2  
Optional Mounting Hardware Kit Assembly (Part No. 1013576) ..... 4



## Identifying Your Product Using the Serial Number

To make sure that you have the correct service parts diagrams, you must verify the serial number of your SLR40wi Projector. The serial number is located on the top of the projector. An example of the serial number format is shown below.



**B011EC27K0148**

Unique Serial Number

## Ordering Parts

### Customers

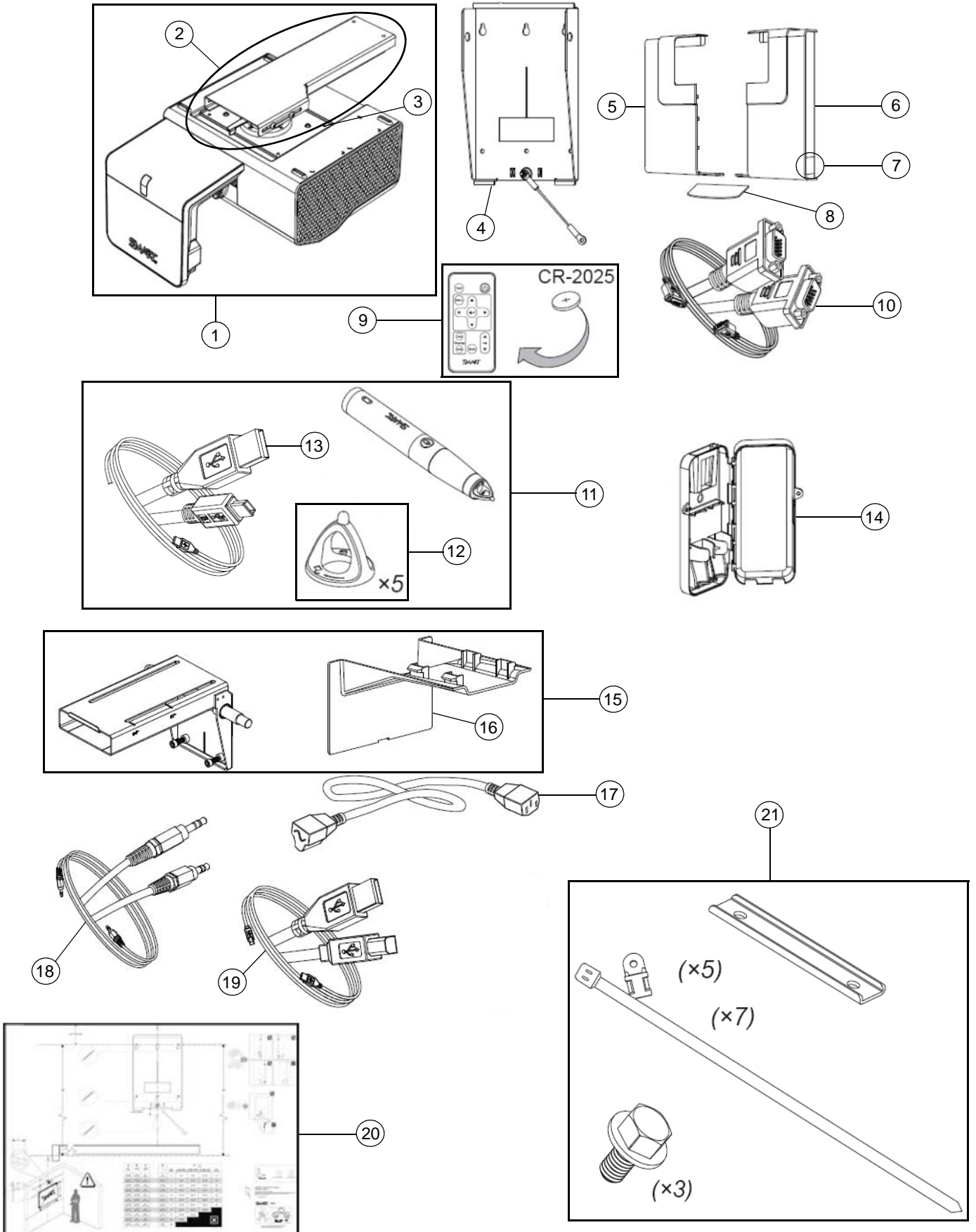
To order any of the parts in these service parts diagrams, contact your local reseller. To find a reseller near you, visit [www.smarttech.com/where](http://www.smarttech.com/where).

### Dealers and Distributors

For specific technical and pricing enquiries in regards to these diagrams please contact our service parts department. Pricing is also available on-line via the SOURCE website ([source.smarttech.com](http://source.smarttech.com)).

Web Form: [www.smarttech.com/contactserviceparts](http://www.smarttech.com/contactserviceparts)  
Phone: 1.888.42.SMART  
International: +1.403.245.0333

# SLR40wi Parts



Item	Part No.	Qty	Description
1	FRU-SLR40WI-PJR	1	FRU, LightRaise 40wi projector only <b>NOTE:</b> Includes projector and items 2, 3.
2	1017215	1	Assembly, boom, front <b>NOTE:</b> Comes attached to the SLR40wi projector.
3	30-01279-20	4	Screw, M4 x 8 mm, Phillips, pan head <b>NOTE:</b> For attaching item 2 to SLR40wi projector.
4	1016962	1	Assembly, wall plate
5	1016958	1	Cover, wall mount, left
6	1016959	1	Cover, wall mount, right
7	1016964	2	Filler, side
8	1016965	1	Filler, lower
9	03-00131-20	1	Remote control <b>NOTE: CR-2025 Battery not included with replacement remotes.</b>
10	1017287	1	Cable, video, HD15 male to HD15 male, 16' (5.0 m)
11	RPEN-SLR40	1	Replacement Pen for LightRaise 40wi <b>NOTE:</b> Includes pen and items 12, 13.
12	FRU-NIB-SLR40WI	1	Replacement Nibs for LightRaise 40wi - Set of Five
13	1017281	1	Cable, USB A to USB Mini-B, 9' 10" (3.0 m)
14	1017223	1	Assembly, pen holder
15	1017294	1	Assembly, boom, rear <b>NOTE:</b> Includes rear boom and item 16.
16	1016967	1	Cover, wire
17	93-00630-20	1	Cable, power, North America, 14' 9" (4.5 m)
17	93-00632-20	1	Cable, power, United Kingdom, 14' 9" (4.5 m)
17	93-00631-20	1	Cable, power, Europe, 14' 9" (4.5 m)
17	93-00629-20	1	Cable, power, Australia, 14' 9" (4.5 m)
17	93-00634-20	1	Cable, power, Japan, 14' 9" (4.5 m)
17	93-00633-20	1	Cable, power, China, 14' 9" (4.5 m)
17	93-00670-20	1	Cable, power, Korea, 14' 9" (4.5 m)
18	1017279	1	Cable, audio, 3.5 mm male to 3.5 mm male, 16' (5.0 m)
19	1017280	1	Cable, USB A to USB B, 16' (5.0 m)
20	1017239	1	Template, mounting, LightRaise 40wi
21	1016970	1	Assembly, hardware kit
Not shown	1017295	1	Door, lamp cover, LightRaise 40wi <b>NOTE:</b> Comes attached to the SLR40wi projector.
Not shown	20-01501-20	1	Replacement Lamp for UF75, UF75w and SLR40wi Projectors

**Optional Mounting Hardware Kit Assembly (Part No. 1013576)**

