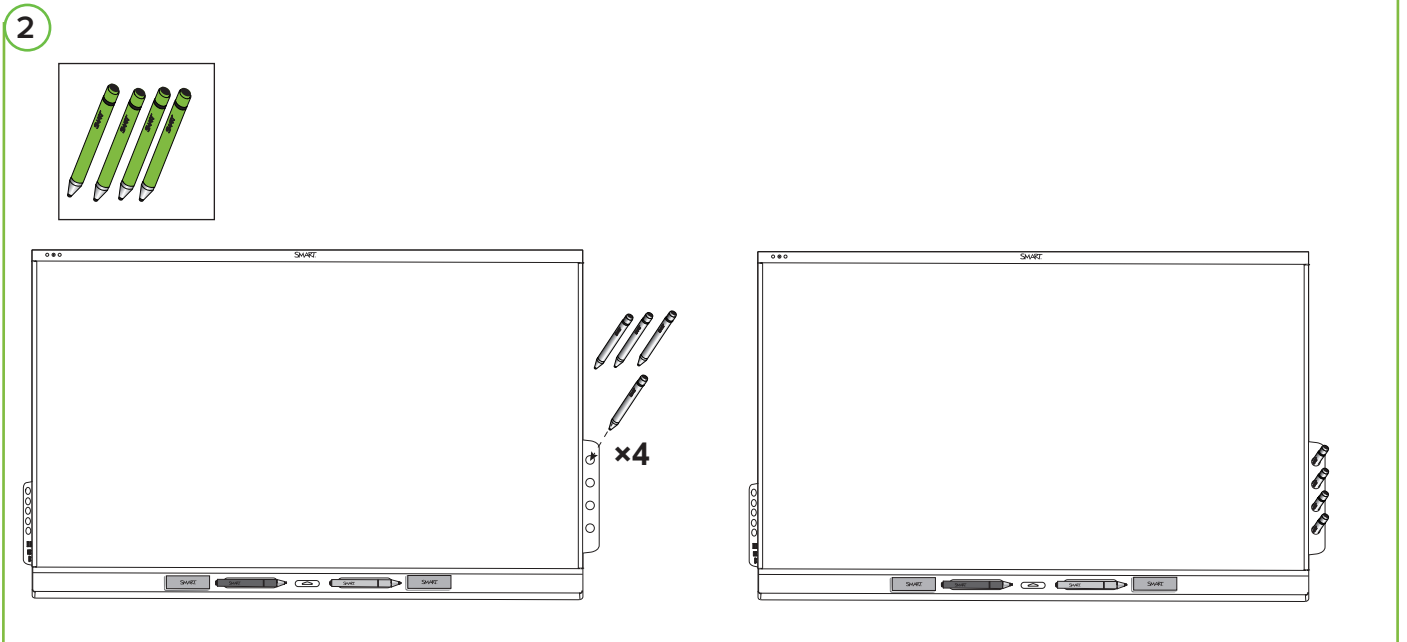
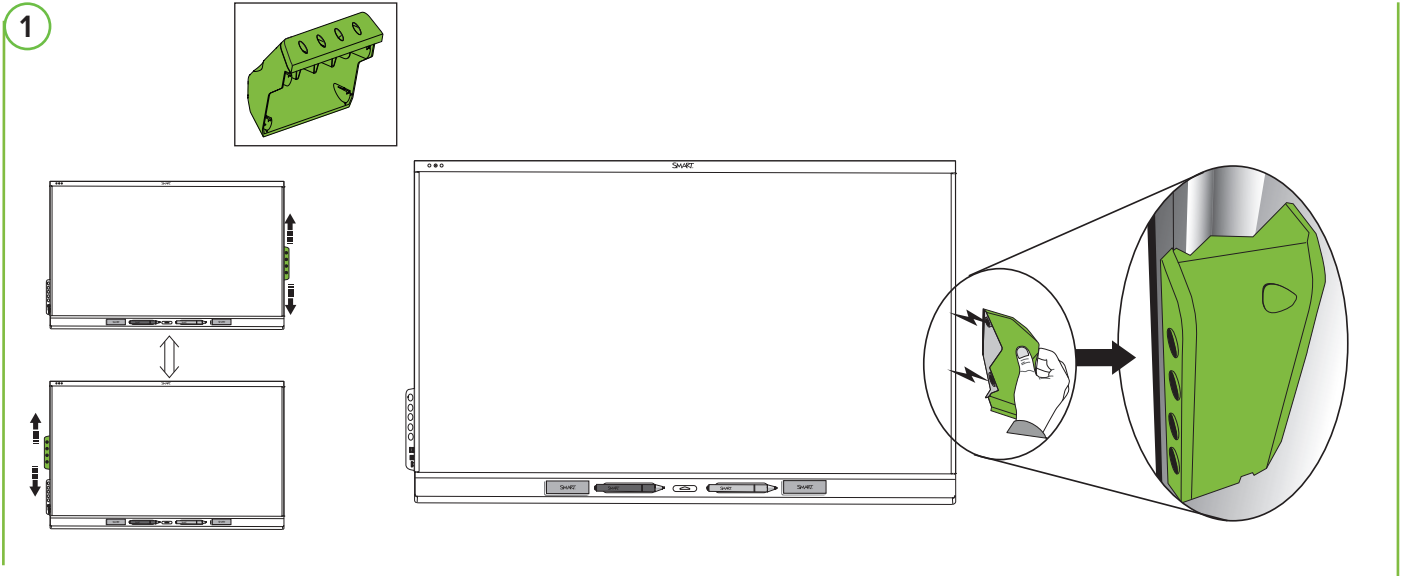
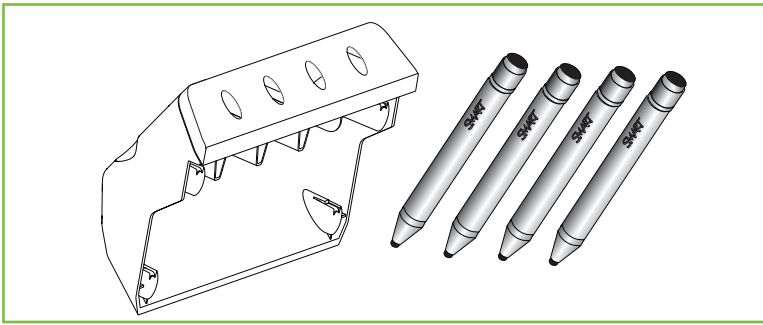


ToolSense Pens and Magnetic Penwell

TS-4PEN-MC





 support.smarttech.com/support
support.smarttech.com/contact-support

© 2020 SMART Technologies ULC. All rights reserved. SMART Board, smarttech, the SMART logo and all SMART taglines are trademarks or registered trademarks of SMART Technologies ULC in the U.S. and/or other countries. All third-party products and company names may be trademarks of their respective owners. Contents are subject to change without notice. This product and/or use thereof covered by one or more of the following U.S. patents; smarttech.com/patents. Other patents pending. 02/2020

SMART[®]
SMART Technologies ULC
3636 Research Road NW
Calgary, AB T2L 1Y1 Canada

smarttech.com/kb/171633

Printed in: China


P/N: 1034355


Rev: 01
