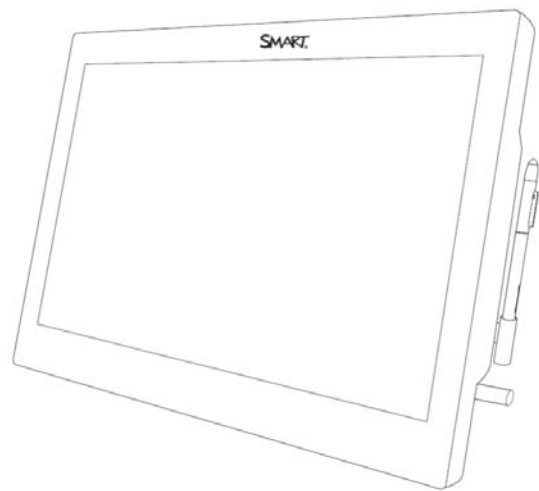


SMART[®]



***Service Parts
Diagrams***

**For Model:
SP624/SP624P**

Service Parts Diagrams Revision History

Revision 1 - August, 2018

- New document

RStandard Warranty Terms

Base product: Three-year limited equipment warranty

First Customer Ship: June, 2018

SMART Technologies

3636 Research Road NW

Calgary, AB T2L 1Y1

CANADA

Support +1.403.228.5940 or Toll Free 1.866.518.6791 (Canada/U.S.)

Support Fax +1.403.806.1256

www.smarttech.com/contactserviceparts www.smarttech.com

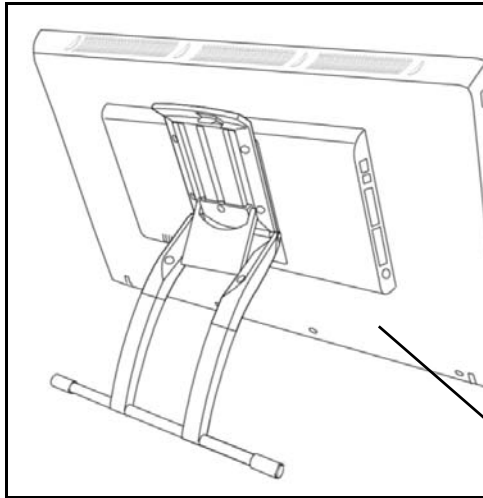


Service Parts Diagrams for the SP624/SP624P

Identifying Your Product Using the Serial Number 1
Ordering Parts 1
SP624/SP624P Parts 3

Identifying Your Product Using the Serial Number

To make sure that you have the correct service parts diagrams, you must verify the serial number of your SP624/SP624P. The serial number is located on the back of the Podium. An example of the serial number format is shown below.



W021KW21A0279

Unique Serial Number

Serial Number Location

Ordering Parts

Customers

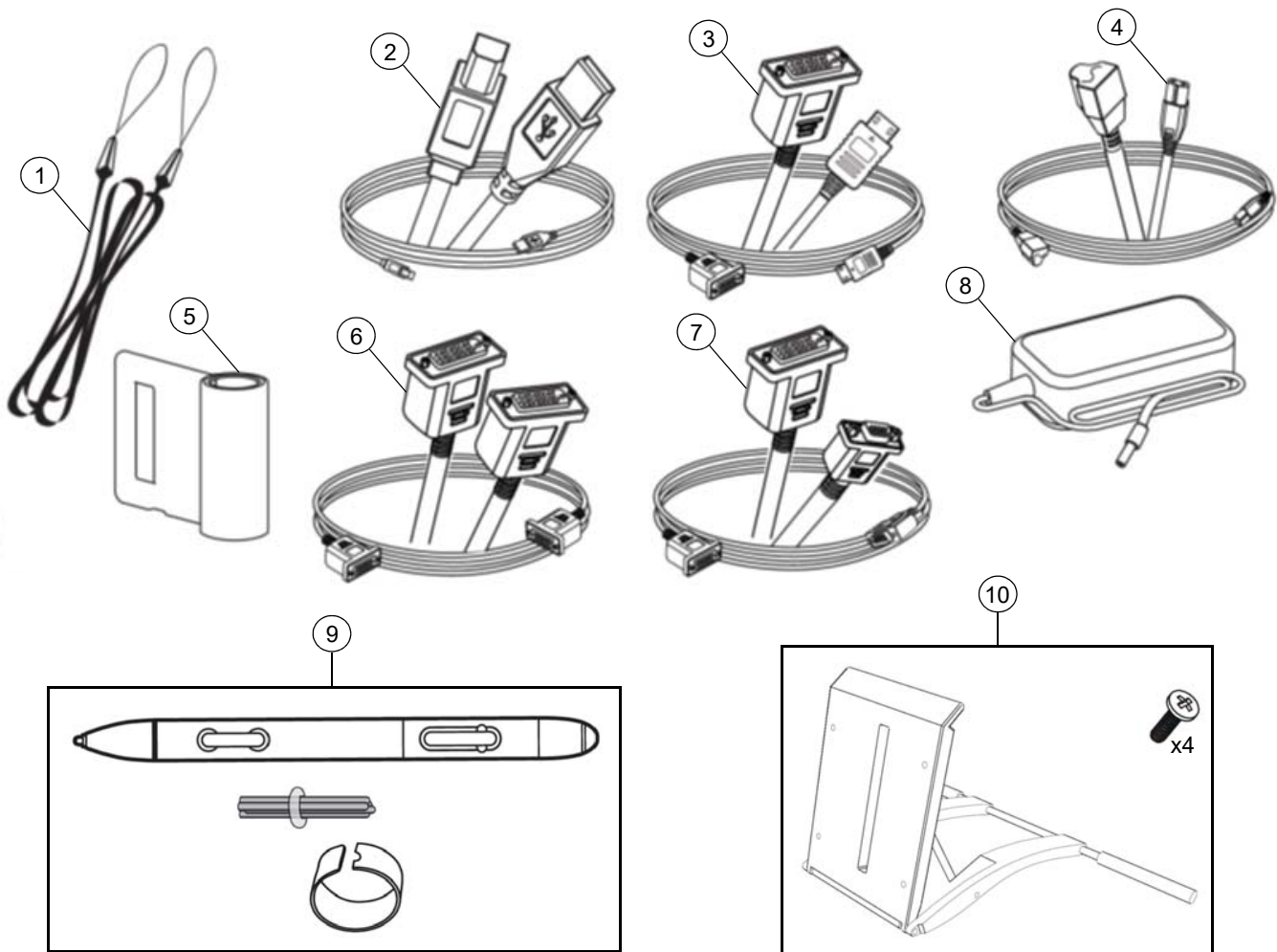
To order any of the parts in these service parts diagrams, contact your local reseller. To find a reseller near you, visit www.smarttech.com/where.

Dealers and Distributors

For specific technical and pricing enquiries in regards to these diagrams please contact our service parts department. Pricing is also available on-line via the SOURCE website (source.smarttech.com).

Web Form: www.smarttech.com/contactserviceparts
Phone: 1.888.42.SMART
International: +1.403.245.0333

SP624/SP624P Parts



Item	Part No.	Qty	Description
1	1031819	1	Tether, pen, SP624
2	1031817	1	Cable, USB, A-B, 6'7" (2.0 m)
3	1031816	1	Cable, video, HDMI to DVI-D, 6'7" (2.0 m)
4	93-051	1	Cable, power, North America, 8' (2.4 m)
4	93-055	1	Cable, power, United Kingdom, 8' (2.4 m)
4	93-00654-20	1	Cable, power, Japan, 8' (2.4 m)
4	93-056	1	Cable, power, Autstralia, 8' (2.4 m)
4	93-054	1	Cable, power, Europe, 8' (2.4 m)
5	1031820	1	Holder, pen, SP624
6	1031814	1	Cable, video, DVI-D to DVI-D, 6'7" (2.0 m)
7	1031815	1	Cable, video, VGA to DVI, 6'7" (2.0 m)
8	1031818	1	Power supply, Podium, SP624
9	1031067	1	Assembly, pen, Podium, SP624
10	1031821	1	Assembly, stand, Podium, SP624 NOTE: Includes mounting screws.