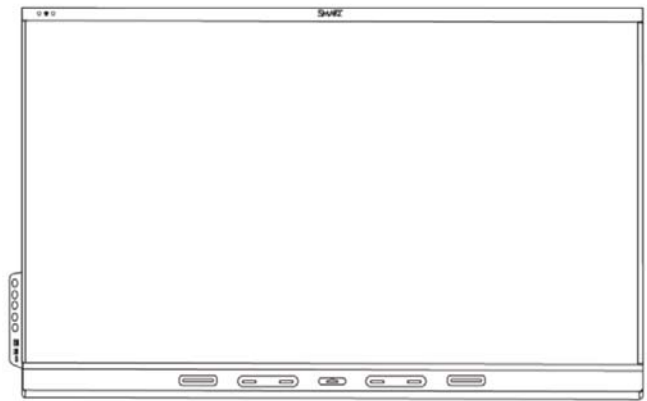


SMART[®]



Service Parts Diagrams

**For Model:
SBID-6265S-PW**

Service Parts Diagrams Revision History

Revision 1 - April, 2020

- New document

Standard Warranty Terms

Base product: Three-year limited equipment warranty

First Customer Ship: March, 2020

SMART Technologies

3636 – Research Road NW

Calgary, AB T2L 1Y1

CANADA

Support +1.403.228.5940 or Toll Free 1.866.518.6791 (Canada/U.S.)

Support Fax +1.403.806.1256

www.smarttech.com/contactserviceparts www.smarttech.com

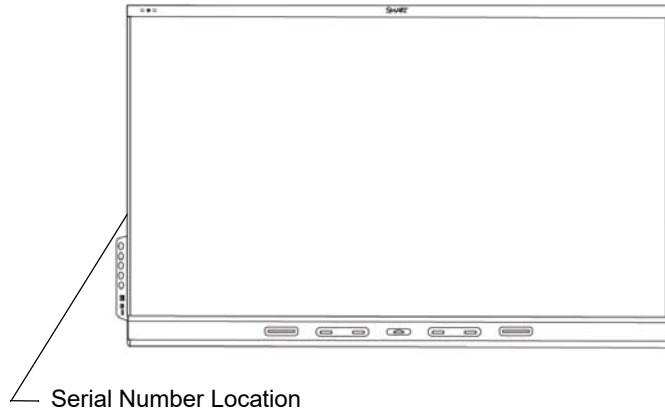
The SMART logo consists of the word "SMART" in a bold, stylized, sans-serif font. The letters are black with a white outline, and a registered trademark symbol (®) is located at the bottom right of the letter "T".

Service Parts Diagrams for the SBID-6265S-PW

Identifying Your Product Using the Serial Number 1
Ordering Parts 1
SBID-6265S-PW Parts 2

Identifying Your Product Using the Serial Number

To make sure that you have the correct service parts diagrams, you must verify the serial number of your SBID-6265S-PW. The serial number of the flat panel display will be located on the left side. An example of the serial number format is shown below.



Unique Serial Number

K072MW01C0013

Ordering Parts

Customers

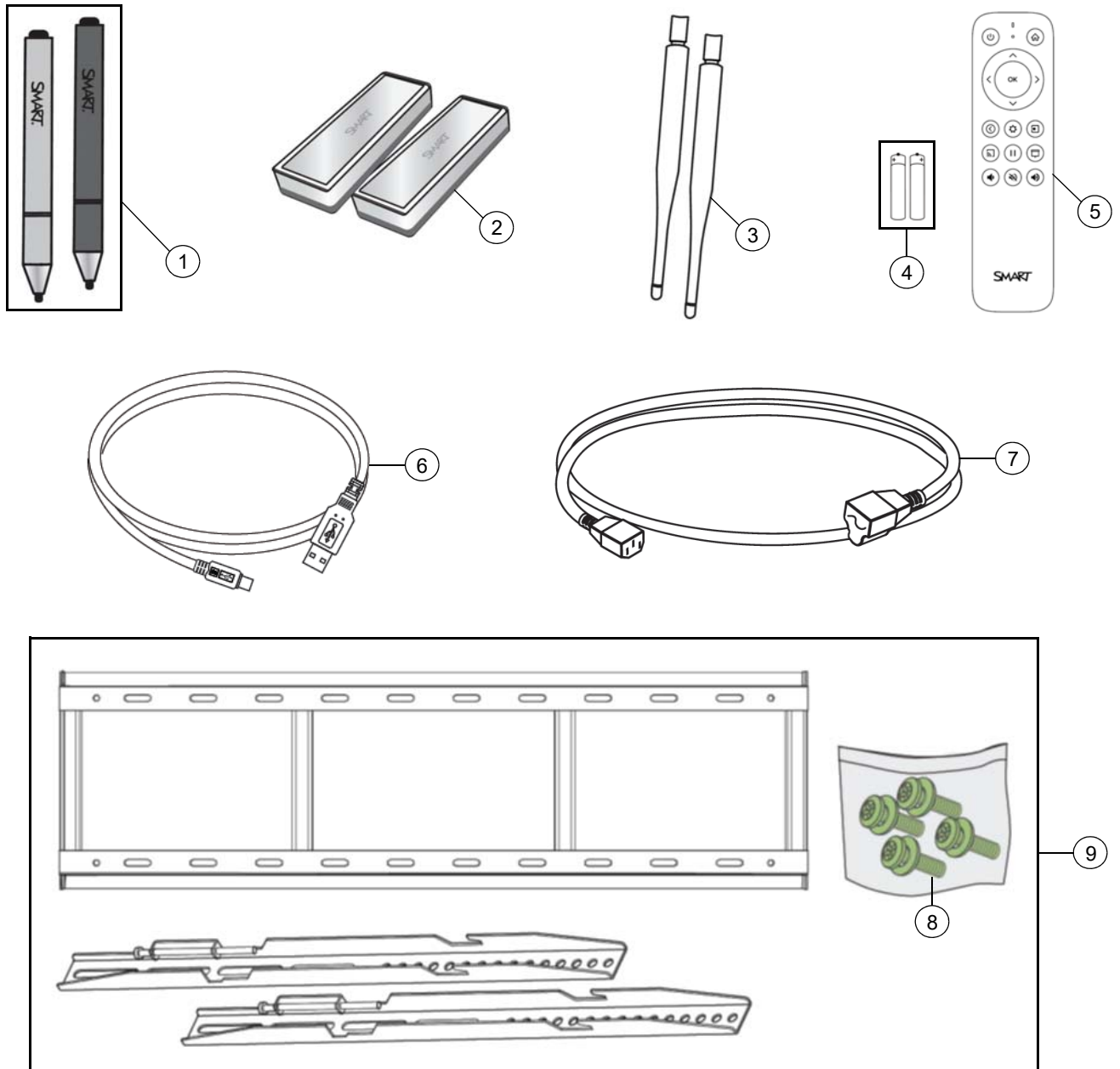
To order any of the parts in these service parts diagrams, contact your local reseller. To find a reseller near you, visit www.smarttech.com/where.

Dealers and Distributors

For specific technical and pricing enquiries in regards to these diagrams please contact our service parts department. Pricing is also available on-line via the SOURCE website (source.smarttech.com).

Web Form: www.smarttech.com/contactserviceparts
Phone: 1.888.42.SMART
International: +1.403.245.0333

SBID-6265S-PW Parts



Item	Part No.	Qty	Description
1	1033824	1	Assembly, pen, 2-pack (black, red), SBID-6000S
2	1032737	2	Assembly, bar eraser, SBID-6000S
3	1032517	2	Antenna
4	1034118	1	Assembly, batteries, AAA, two pack
5	1033964	1	Assembly, remote control
6	1028289	1	Cable, USB, A-B, 16' (5.0 m)
7	1022063	1	Cable, power, North America, 8' (2.4 m)

7	93-055	1	Cable, power, United Kingdom, 8' (2.4 m)
7	93-056	1	Cable, power, Australia, 8' (2.4 m)
7	93-054	1	Cable, power, Europe, 8' (2.4 m)
7	93-00708-20	1	Cable, power, China, 8' (2.4 m)
7	93-00654-20	1	Cable, power, Japan, 8' (2.4 m)
7	93-063	1	Cable, power, South Africa, 8' (2.4 m)
7	1018969	1	Cable, power, Singapore, 14' 9" (4.5 m)
7	1018970	1	Cable, power, India, 14' 9" (4.5 m)
7	1018971	1	Cable, power, Saudi Arabia, 14' 9" (4.5 m)
7	1018972	1	Cable, power, Brazil, 14' 9" (4.5 m)
7	1025597	1	Cable, power, Argentina, 14' 9" (4.5 m)
7	1025603	1	Cable, power, Chile and Italy, 14' 9" (4.5 m)
7	1030859	1	Cable, power, Korea, 8' (2.4 m)
8	1032611	4	Screw, M8 × 24 mm, Phillips, pan head, SEMS split washer NOTE: For attaching wall mount to flat panel display.
9	WM-SBID-200	1	SMART Wall Mount for MX-V2, 7000, 6000 and 2000 series NOTE: Includes wall mount and 4 pcs of 1032611.
Not shown	1033779	1	Kit, packaging, SBID-6265S-PW