

Specifications

SMART Board® MX265-V2 interactive display with iQ

Model SBID-MX265-V2

Overview

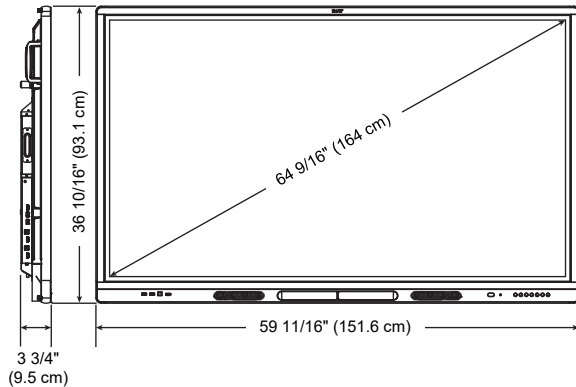
The SMART Board® MX265-V2 interactive display has all the essentials educators need for bringing the devices students love into any learning environment. This display is great value for schools that need an interactive display on a budget. The 65" 4K Ultra HD resolution display includes a one-year subscription to SMART Learning Suite and a standard three-year warranty.

The iQ experience offers one-touch access to SMART Learning Suite applications, including SMART Notebook® lessons and activities. You can also access collaboration tools, including a digital whiteboard, a web browser, and wireless screen sharing.



Dimensions and weights¹

Dimensions



Weight

102 lb. (46.1 kg)

Active touch area

57 3/8" × 32 3/4" (145.7 cm × 83.3 cm)

Active image area

56 1/4" × 31 5/8" (142.9 cm × 80.4 cm)

Shipping dimensions (including pallet)

66 3/8" W × 45 3/4" H × 10 1/4" D
(168.5 cm × 116.2 cm × 26 cm)

Shipping weight

137 lb. (62 kg)



As an ENERGY STAR® certified signage display, the SMART Board MX065-V2 interactive display meets strict energy efficiency guidelines set by the U.S. Environmental Protection Agency and Department of Energy.

¹All dimensions ± 1/8" (0.3 cm). All weights ± 2 lb. (0.9 kg).

Hardware

Interaction

Touch technology	HyPr Touch™ with Advanced IR
Multitouch capabilities	Up to 20 simultaneous touch, writing, or erase points ^{2 3}
Object Awareness™	Behavior adjusts automatically to the tool or object you're using, whether it's a pen, finger or palm.
Positioning accuracy	<2 mm

Display

Type	LED backlit LCD (A grade)
Aspect ratio	16:9
Resolution	4K UHD (3840 × 2160)
Horizontal frequency	31 Hz–140 kHz
Vertical frequency	59 Hz–70 Hz
Brightness (maximum)	≥400 cd/m ²
Refresh frequency	60 Hz
Pixel clock (maximum)	590 MHz
Pixel dimensions	0.37 mm
Viewing angle	178°
Response time (typical)	8 ms

Ambient light sensor

Yes

Audio

15 W integrated speakers (×2)

Wireless

IEEE 802.11a/b/g/n/ac with 2 × 2 MIMO (both 2.4 and 5 GHz bands)

Included cables and accessories

Country-specific power cable
 16' 5" (5 m) USB cable
 Wall mount bracket kit
 Pen (×2)
 Antenna (×2)
 IR remote control (with two AAA batteries)

²Requires the latest version of SMART Product Drivers to be installed. Some applications might not support all touch points.

³Chrome OS is limited to 10 simultaneous touches. Pens and eraser are not supported.

iQ experience

Supported languages	Danish Dutch English Finnish French German Italian Korean Norwegian Portuguese Russian Simplified Chinese Spanish Swedish Traditional Chinese Ukrainian Vietnamese
---------------------	--

Mounting holes For a standard VESA® 600 mm × 400 mm mounting plate with M8 screws

Mounting bracket depth Minimum clearance depth of 1 1/4" (3 cm) for all components on the back of the interactive display for airflow

Software

Included software iQ Android-based embedded computing
One-year subscription to SMART Learning Suite (including SMART Notebook software)
SMART Notebook basic version
SMART Ink and SMART Product Drivers

Other software (sold separately)

SMART Remote Management Cloud-based device management software for remotely maintaining, supporting, controlling, and securing the display and your other devices. Comes installed on the display and can be used as a 30-day trial before activation. See [SMART Remote Management](#) for more information.

Connectors

Side connector panel	1	Accessory slot (for 60W OPS devices)
	1	HDMI® 1.4 out with HDCP support ⁴
	1	USB 2.0 Type-A (for service use only)
	1	USB 3.0 Type-A (for currently selected input source)
	HDMI 1	
	1	HDMI in with HDCP 2.2 support
	1	USB 3.0 Type-B (for touch)
	HDMI 2	
	1	HDMI in with HDCP 2.2 support
	1	USB 3.0 Type-B (for touch)
Front connector panel	1	USB 2.0 Type-A (for the display)
	1	USB 2.0 Type-A (for currently selected input source)
	HDMI 3	
	1	HDMI in with HDCP 2.2 support
	1	USB 2.0 Type-B (for touch)
Bottom connector panel	1	RS-232
	2	RJ45
	1	S/PDIF out (fixed)
	1	Stereo 3.5 mm out (variable)
	VGA 1	
	1	Stereo 3.5 mm in (for VGA in)
	1	VGA in
	1	USB 3.0 Type-B (for touch)

Installation requirements

Interactive display	See the <i>SMART Board MX (V2) series interactive displays installation and maintenance guide</i> (smarttech.com/kb/171555)
----------------------------	--

! IMPORTANT

The display needs an internet connection for downloading and installing important updates. Ask the network administrator to confirm that the network has been correctly configured for the iQ experience. For more information about network configuration, see [Connecting a SMART display with the iQ experience to a network](#).

Room computers and guest laptops

General requirements	See SMART Notebook software release notes
4K UHD	Video card that can support 3840 × 2160 resolution at 60 Hz See Minimum requirements for Ultra High Definition or 4K on your interactive flat panel

⁴HDCP is always enabled. Content is shown in 480p resolution if the external display doesn't support HDCP.

Cable requirements

HDMI	Maximum length: 23' (7 m)
	<p>NOTES</p> <ul style="list-style-type: none"> • Use only certified HDMI cables that have been tested to support the performance standard you require. • The performance of cables longer than 23' (7 m) is highly dependent on the cable's quality.
USB 2.0	USB 2.0 certified Hi-Speed (480 Mbps) support Maximum length: 16' (5 m)
USB 3.0	USB 3.0 certified SuperSpeed (5 Gbps) support Maximum length: 9' (3 m)
	<p>NOTES</p> <ul style="list-style-type: none"> • SMART supports only installations that use directly connected video and USB cables, AC-powered extenders, or USB extenders purchased from SMART. • You might be able to use higher-grade cables that are longer than specified. If you have problems with such a cable or an extender of any type, test the connection with a shorter cable before contacting SMART Support.
Important	Using cables that exceed these maximum lengths can produce unexpected results, such as degraded picture quality or USB connectivity. Refer to <i>Installation best practices for SMART products</i> (smarttech.com/kb/171035) for comprehensive information about cables and extensions for SMART hardware products.

Storage and operating requirements

Power requirements	100V to 240V AC, 50 Hz to 60 Hz
Standalone interactive display power consumption at 77°F (25°C)	
Standby mode	≤0.5 W
Normal operating (out-of-box)	109 W
Operating temperature	41–95°F (5–35°C)
Storage temperature	-4–140°F (-20–60°C)
Humidity	5–80% relative humidity, non-condensing

Certification and compliance (Model ID: IDX65-2)

U.S. / Canada	FCC, ISED, UL, CONEG Packaging, Cal Prop 65, Conflict Minerals, Energy Star
----------------------	---

EU / EEA / EFTA	CE - LVD, RED, REACH, RoHS, Battery, WEEE, Packaging
EAEU	EAC
Australia / New Zealand	RCM
Taiwan	BSMI, NCC
Vietnam	ICT
South Africa	NRCS, ICASA

Purchasing information

Order number

SBID-MX265-V2	SMART Board MX065-V2 interactive display with IQ and one-year subscription of SMART Learning Suite
---------------	--

Optional accessories

Other	See smarttech.com/accessories
-------	---

Warranty information

Standard warranty	See smarttech.com/warranty ⁵
--------------------------	--

Extended warranty and other information	See smarttech.com/warranty
--	---

[smarttech.com/support](https://www.smarttech.com/support)
[smarttech.com/contactsupport](https://www.smarttech.com/contactsupport)

© 2019 SMART Technologies ULC. All rights reserved. SMART Board, SMART Notebook, Pen ID, HyPr Touch, Object Awareness, Silktouch, smarttech, the SMART logo and all SMART taglines are trademarks or registered trademarks of SMART Technologies ULC in the U.S. and/or other countries. The Bluetooth word mark is owned by the Bluetooth SIG, Inc. and any use of such marks by SMART Technologies ULC is under license. The Adopted Trademarks HDMI, HDMI High-Definition Multimedia Interface, and the HDMI Logo are trademarks or registered trademarks of HDMI Licensing Administrator, Inc. in the United States and other countries. All other third-party product and company names may be trademarks of their respective owners. This product and/or use thereof is covered by one or more of the following U.S. patents: www.smarttech.com/patents. Contents are subject to change without notice. October 16, 2019.

⁵Refer to [smarttech.com/warranty](https://www.smarttech.com/warranty) for specific product and regional entitlements.