

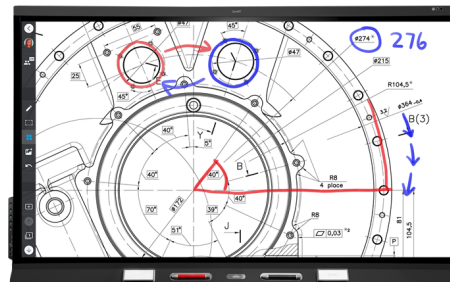
SMART Board® 6000S (V3) Pro series (black frame)

Available in the US and for US Federal agencies internationally

SBID-6465-V3-P

SBID-6475-V3-P

SBID-6486-V3-P



DISPLAY

Screen sizes (diagonal)	65", 75", 86"
Backlight	LED
Aspect ratio	16:9
Maximum display resolution	4K UHD (3840 × 2160)
Refresh rate	60 Hz
Lifespan	≥ 50,000 hours
Brightness (maximum)	≥ 350 cd/m ²
Response time	65": ≤ 9 ms 75": ≤ 8 ms 86": ≤ 8 ms
Viewing angle	178°
Glass	Fully heat-tempered anti-glare glass that resists smudges and fingerprints
Frame color	Black
Convenience buttons	Power, home, volume, screen shade, freeze frame
Sensors	Proximity, ambient light, infrared, room temperature and humidity ¹
Audio	2 integrated 20 W speakers

INTERACTIVE EXPERIENCE

Touch technology	HyPr Touch™ with InGlass™
Touch features	Tool Explorer™ Simultaneous Tool Differentiation Object Awareness™ Pen ID™ Silktouch™ Pressure Sensitive Ink
Typical response time	9 ms
Frame rate	150 Hz
Accuracy	±1 mm
Minimum object size	2 mm
Multitouch capabilities	Up to 40 touch points (OS dependent)
Tools included	Pens (×2) Erasers (×2)
Tool holders	Intelligent, magnetic, frame-mounted

SOFTWARE

SMART Meeting Pro® Room license	Included
SMART Meeting Pro Personal licenses (×10)	Included
SMART Ink® and SMART Product Drivers	Included

smarttech.com
smarttech.com/contact

© 2021 SMART Technologies ULC. All rights reserved. SMART Board, SMART Meeting Pro, SMART Ink, HyPr Touch, Tool Explorer, Object Awareness, Pen ID, Silktouch, smarttech, the SMART logo and all SMART taglines are trademarks or registered trademarks of SMART Technologies ULC in the U.S. and/or other countries. The Adopted Trademarks HDMI, HDMI High-Definition Multimedia Interface, and the HDMI Logo are trademarks or registered trademarks of HDMI Licensing Administrator, Inc. in the United States and other countries. All other third-party product and company names may be trademarks of their respective owners. This product and/or use thereof is covered by one or more of the following U.S. patents: www.smarttech.com/patents. Models and specifications may vary by region. Please contact your local representative for details. Contents are subject to change without notice. November 29, 2021.

¹Temperature and humidity data is not available when iQ features are disabled.

PC COMPUTING

OPS support	✓
OPS-C support	✓
PC module power supported OPS	60 W
Optional computing modules	SMART OPS PC with Windows 10 Pro SMART Chromebox

INPUTS

	Front	Back
OPS PC accessory slot (60 W devices)	–	1
HDMI® 2.1 with HDCP 1.4 and HDCP 2.3 support	1	2
VGA video	–	1
Stereo 3.5 mm	–	1
RS-232	–	1
RJ45	–	2
USB Type-C 4K @ 60Hz, Display Port 1.2, USB 2.0 (UFP) for touch and digital audio, USB 2.0 (DFP) for peripherals; 65 W power delivery	1	–
USB Type-C, 4K @ 60Hz, Display Port 1.2, USB 2.0 (UFP) for touch and digital audio, USB 3.2 Gen 1 (DFP) for peripherals; 65W power delivery	–	1
USB 2.0 Type-A	–	1
USB 3.0 Type-A	1	2
USB 3.0 Type-B	–	3
USB 2.0 Type-B	1	–

OUTPUTS

	Front	Back
HDMI 2.1	–	1
Stereo 3.5 mm	–	1
S/PDIF	–	1

INCLUDED CABLES AND ACCESSORIES

	Qty
Country-specific power cable	1
USB cable	1
Pens (red and black)	2
Erasers	2
External dual-band 2.4 and 5 GHz antennae	3
Remote control	1
AAA batteries	2
WM-SBID-200 wall mount	1
Illustrated installation instructions	1
Important information document	1

CONNECTIVITY

Wired	RJ45 (x2) 1000baseT
--------------	---------------------

STORAGE AND OPERATING REQUIREMENTS

Power requirements	100V to 240V AC, 50 Hz to 60 Hz
Operating temperature	41–95°F (5–35°C)
Storage temperature	–4–140°F (-20–60°C)
Humidity	5–80% relative humidity, non-condensing

POWER CONSUMPTION

Typical	65": 105 W 75": 134 W 86": 161 W
Standby	0.4 W

CERTIFICATION AND COMPLIANCE²

Regulatory models	IDS665-3, IDS675-3, and IDS686-3
US / Canada	UL, FCC, ISED, TSCA, CONEG Packaging, Proposition 65
Australia / New Zealand	RCM
Performance standards	ENERGY STAR®, HDMI

PURCHASING INFORMATION

ORDER NUMBERS

SBID-6465S-V3-P	SMART Board 6465S-V3 Pro interactive display - TAA compliant
SBID-6475S-V3-P	SMART Board 6475S-V3 Pro interactive display - TAA compliant
SBID-6486S-V3-P	SMART Board 6486S-V3 Pro interactive display - TAA compliant
TS-4PEN-MC	Tool Explorer multicolor 4-pen bundle (orange, purple, green, blue) with magnetic penwell

OPTIONAL ACCESSORIES

See smarttech.com/accessories

²Product availability may vary by region.

This product has received additional certifications not listed here.

WARRANTY

SMART Assure warranty Includes advanced hardware replacement and access to onsite support. Terms and conditions vary by region. Contact your local reseller or distributor for information and visit smarttech.com/warranty.

CABLE REQUIREMENTS

HDMI Certified premium high speed HDMI (18 Gbps)
Maximum length: 23' (7 m)

USB 2.0 USB 2.0 certified
Hi-Speed (480 Mbps) support
Maximum length: 16' (5 m)

USB 3.0 USB 3.0 certified
SuperSpeed (5 Gbps) support
Maximum length: 9' (3 m)

USB Type-C USB 3.2 Gen 1 certified
SuperSpeed (5 Gbps) support
Maximum length: 6' (2 m)

More information See smarttech.com/kb/171414

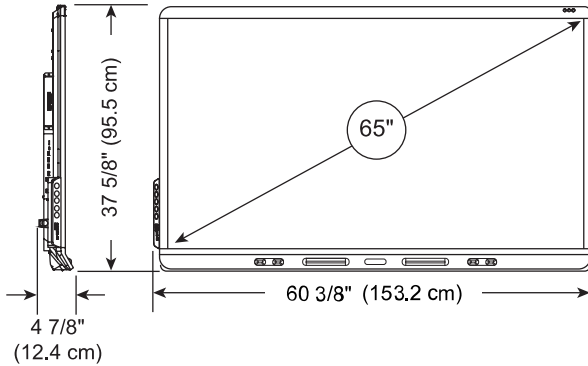
INSTALLATION, DIMENSIONS, AND WEIGHTS

NOTES

- All dimensions $\pm 1/8"$ (0.3 cm). All weights ± 2 lb. (0.9 kg).
- Product ships upright.
- Leave space around the display to ensure adequate ventilation. See the *SMART Board 6000S and 6000S Pro installation and maintenance guide* (smarttech.com/kb/171414) for the specific space requirements.

SBID-6465-V3

Dimensions



Weight

112 lb. (51 kg)

Shipping dimensions (including pallet)

67 1/8" \times 46 1/2" \times 10 3/8"
(170.4 cm \times 118.1 cm \times 26.4 cm)

Shipping weight

159 lb. (72 kg)

VESA mount

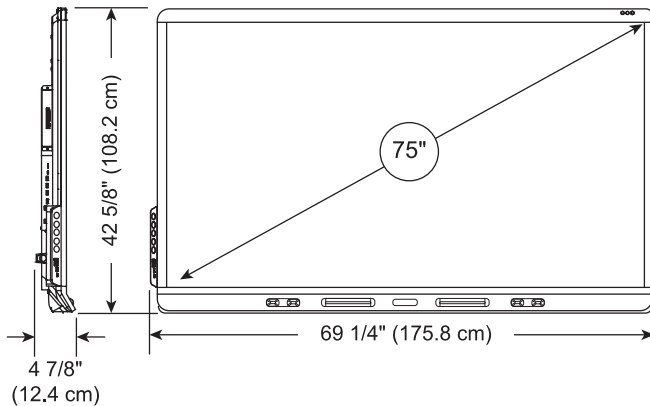
M8, 600 \times 400 mm

Handles

2

SBID-6475-V3

Dimensions



Weight

143 lb. (65 kg)

Shipping dimensions (including pallet)

76" \times 51 1/2" \times 10 3/8"
(193.1 cm \times 130.8 cm \times 26.4 cm)

Shipping weight

194 lb. (88 kg)

VESA mount

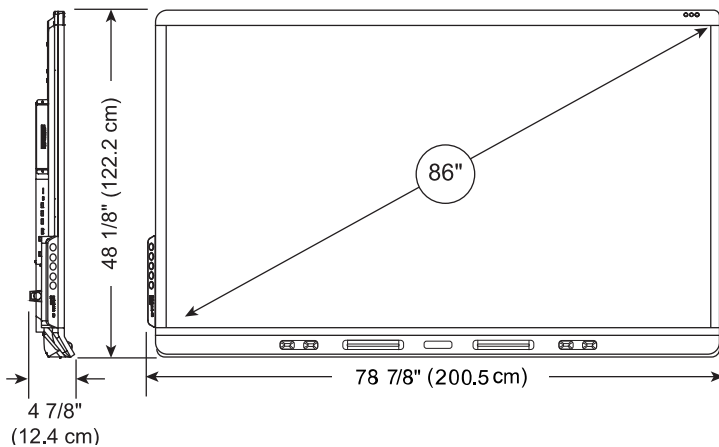
M8, 600 \times 400 mm

Handles

2

SBID-6486-V3

Dimensions



Weight

185 lb. (84 kg)

Shipping dimensions (including pallet)

86" \times 57" \times 10 3/8"
(218.6 cm \times 144.7 cm \times 26.4 cm)

Shipping weight

243 lb. (110 kg)

VESA mount

M8, 600 \times 400 mm

Handles

2