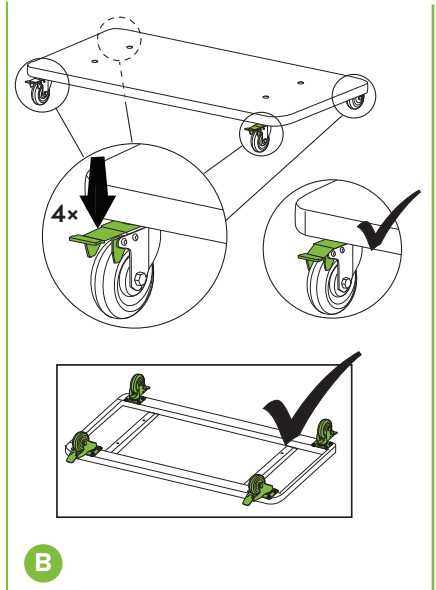
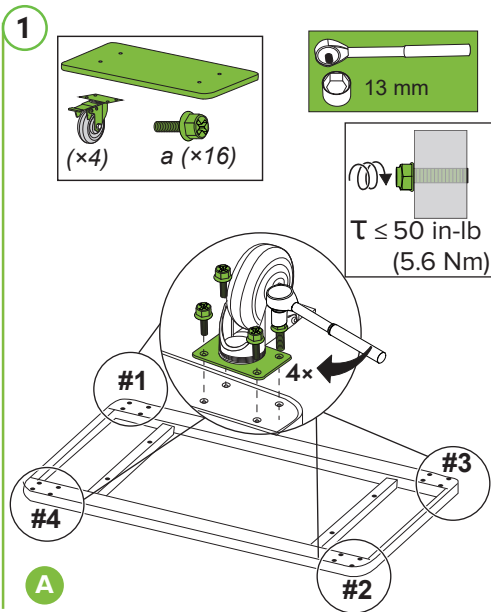
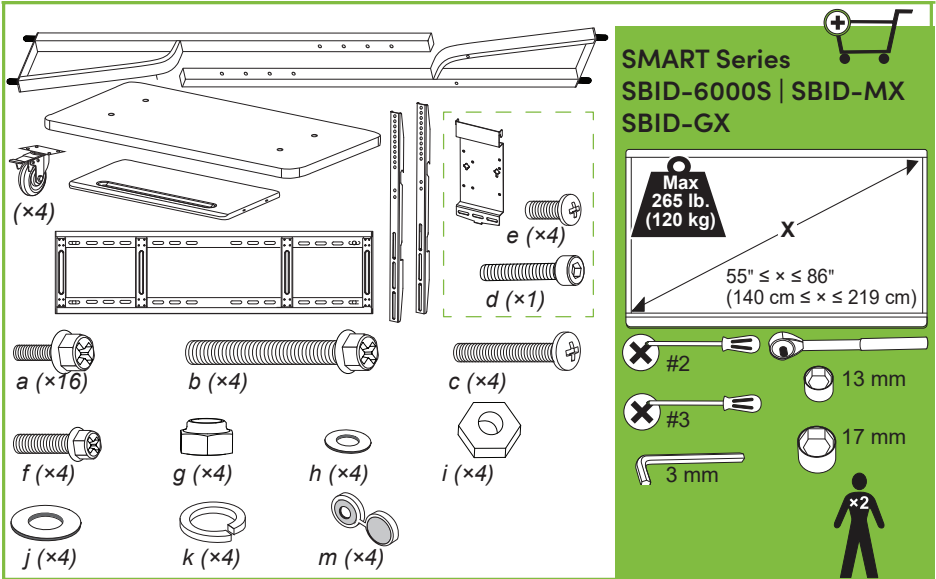
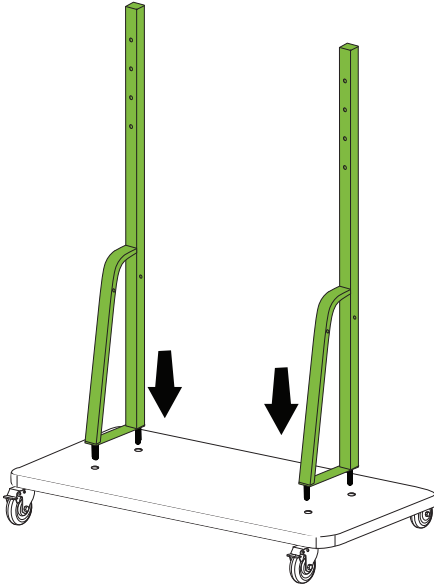
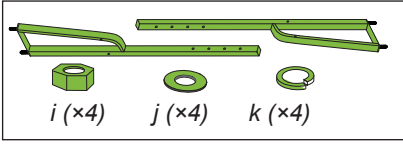


SMART HD mobile stand for interactive displays (FS-SBID-200)

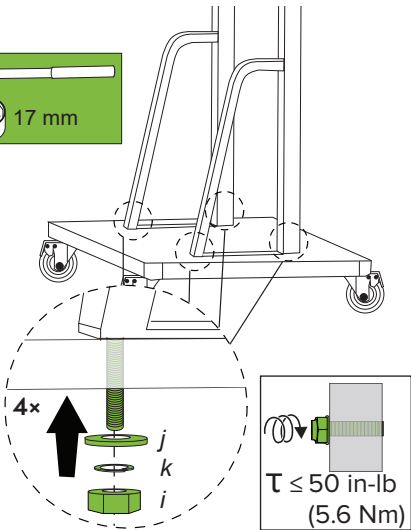
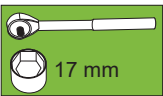


2

A

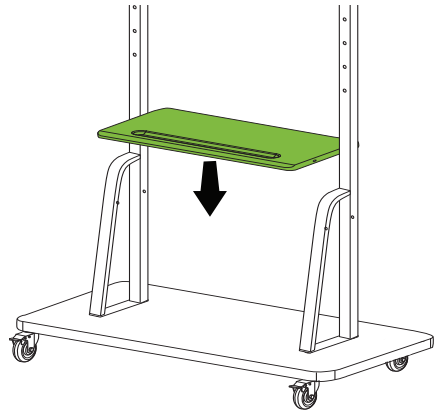
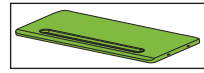


B

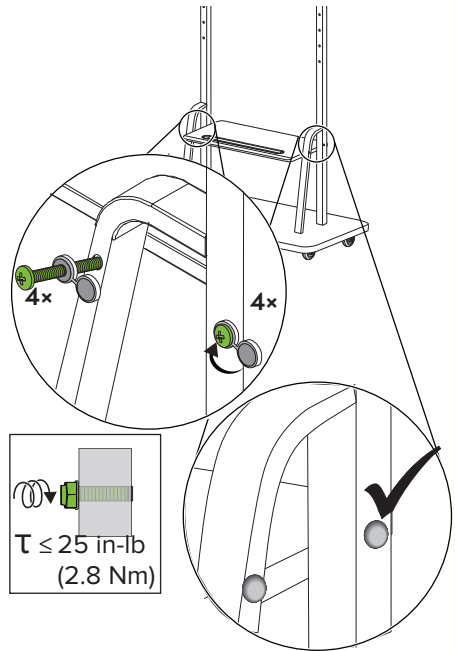
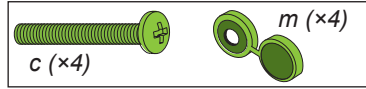


3

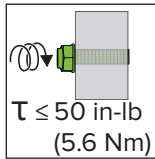
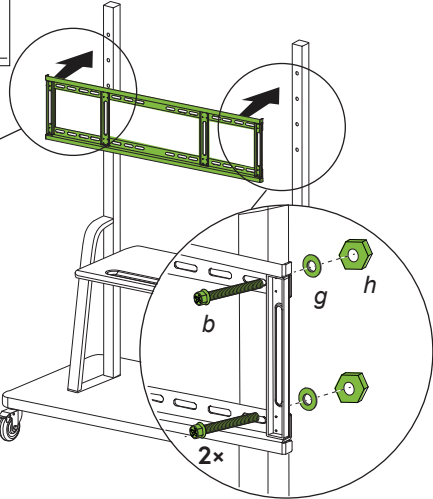
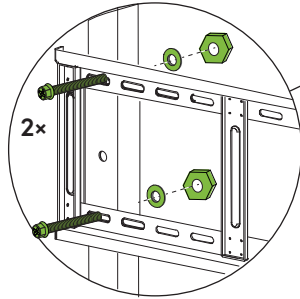
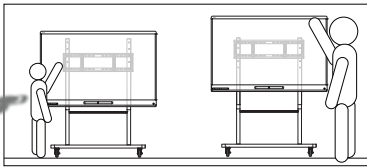
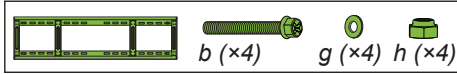
A



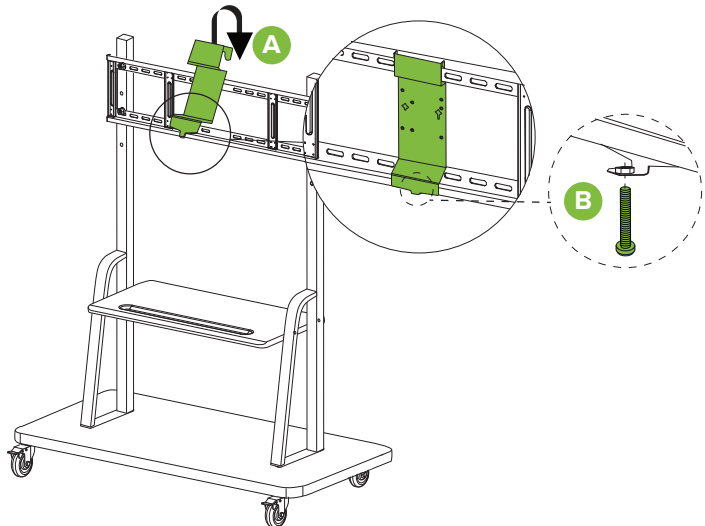
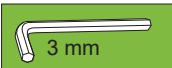
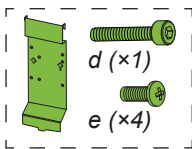
B



4



5

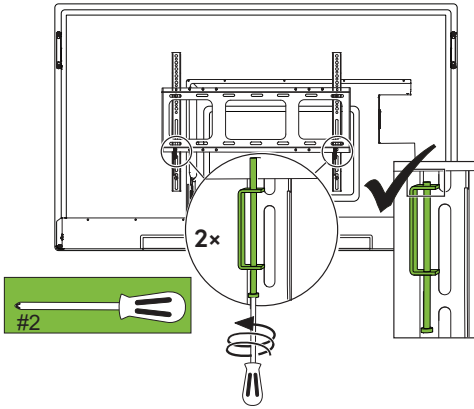




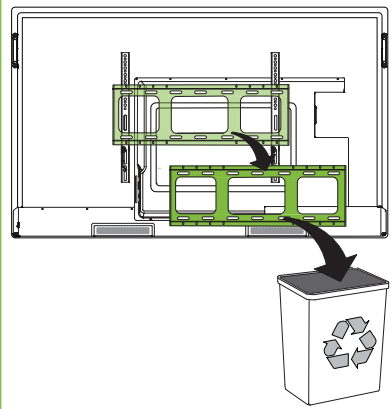
SBID-MX



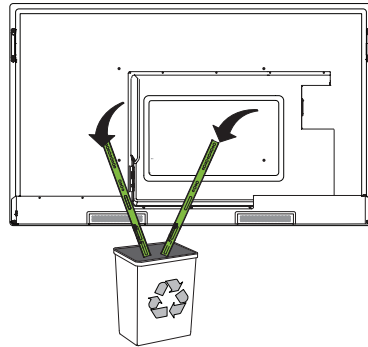
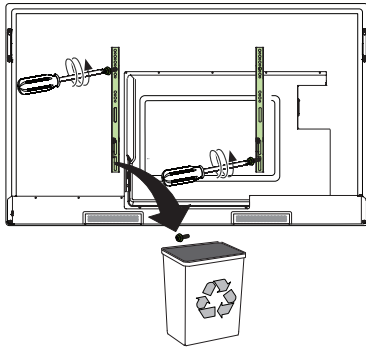
A



B

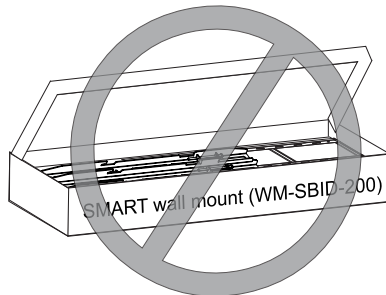


C



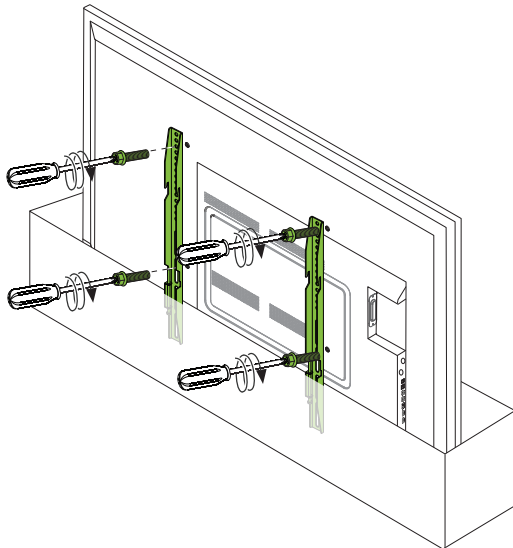
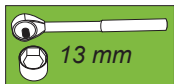
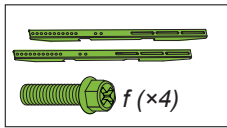
SBID-6000S

SMART wall mount (WM-SBID-200)

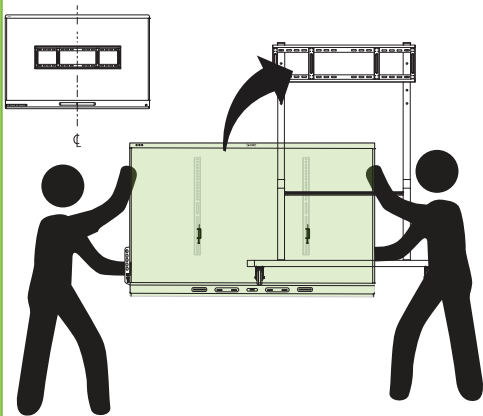


6

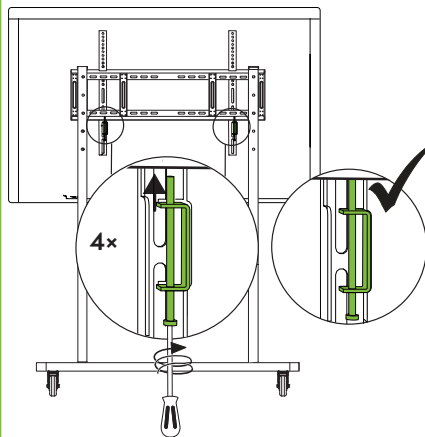
SBID-6000S | SBID-MX | SBID-GX



7



8



User guide

www.smarttech.com/qrf200



Hardware environmental compliance

SMART Technologies supports global efforts to ensure that electronic equipment is manufactured, sold and disposed of in a safe and environmentally friendly manner.



support.smarttech.com/support
support.smarttech.com/contact-support

SMARTBoard® **SMART**®

smarttech.com/kb/171820

SMART Technologies ULC. All rights reserved. SMART Board, smarttech, the SMART logo and all SMART taglines are trademarks or registered trademarks of SMART Technologies ULC in the U.S. and/or other countries. All third-party products and company names may be trademarks of their respective owners. Contents are subject to change without notice. This product and/or use thereof covered by one or more of the following U.S. patents; smarttech.com/patents. Other patents pending. 04/2022