

SBM600/SBM600V

SBM680
SBM685
SBM680V
SBM685V

680: x1
685: x2

SMART #: 1020342

680: x1
685: x2

smarttech.com/kb/170411

1

202.1 cm
(79 1/2")

2

680

102 cm
(40")

685

127 cm
(50")

5.1 cm
(2")

14 cm
(5 1/2")

3

680: x5
685: x10

4

680: x5
685: x10

680: x5
685: x10

680: x5
685: x10

5

680: x5
685: x10

6

680

685

7

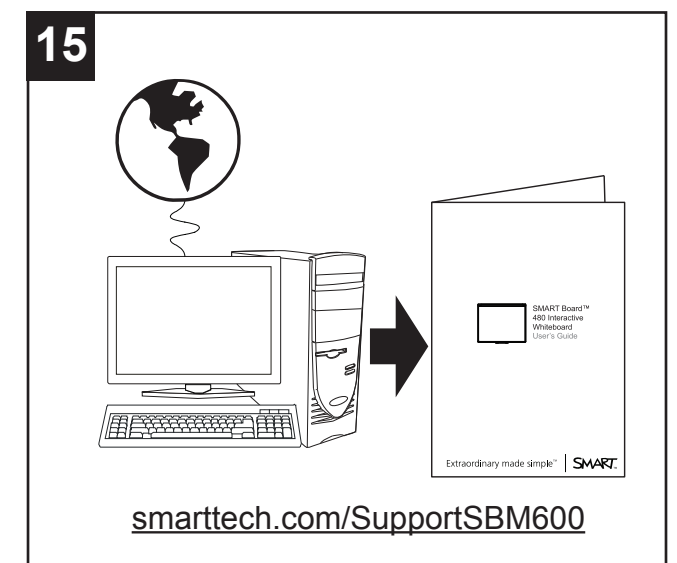
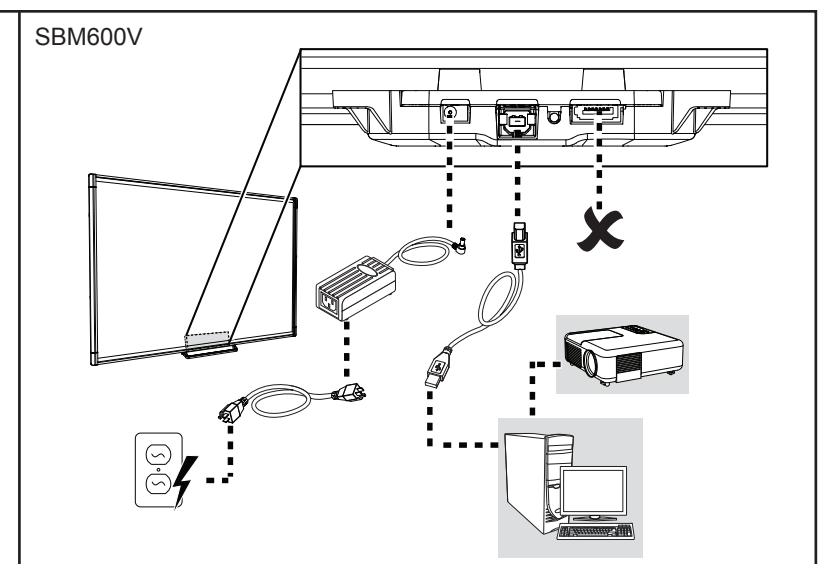
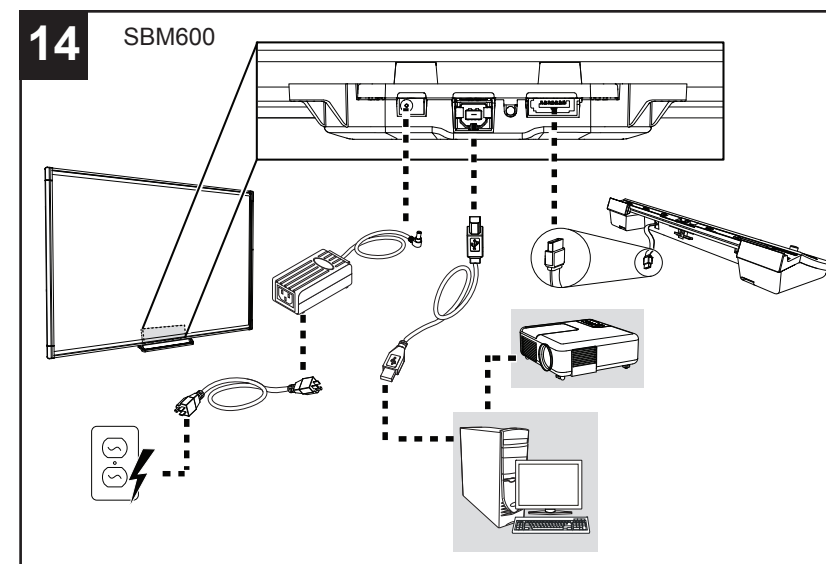
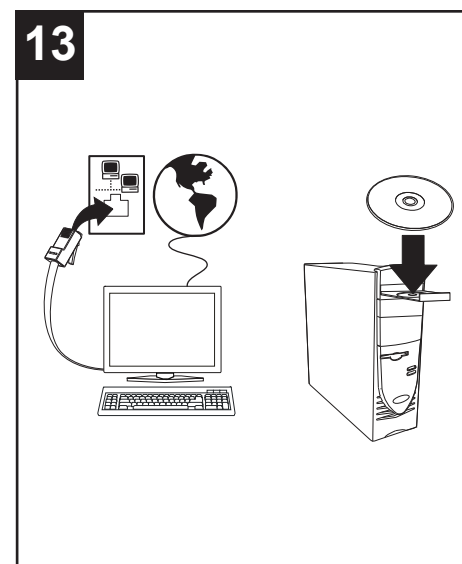
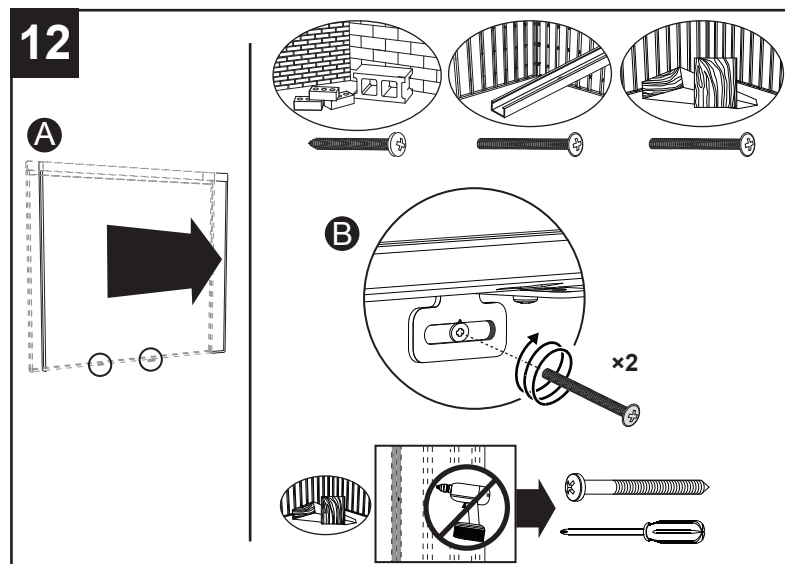
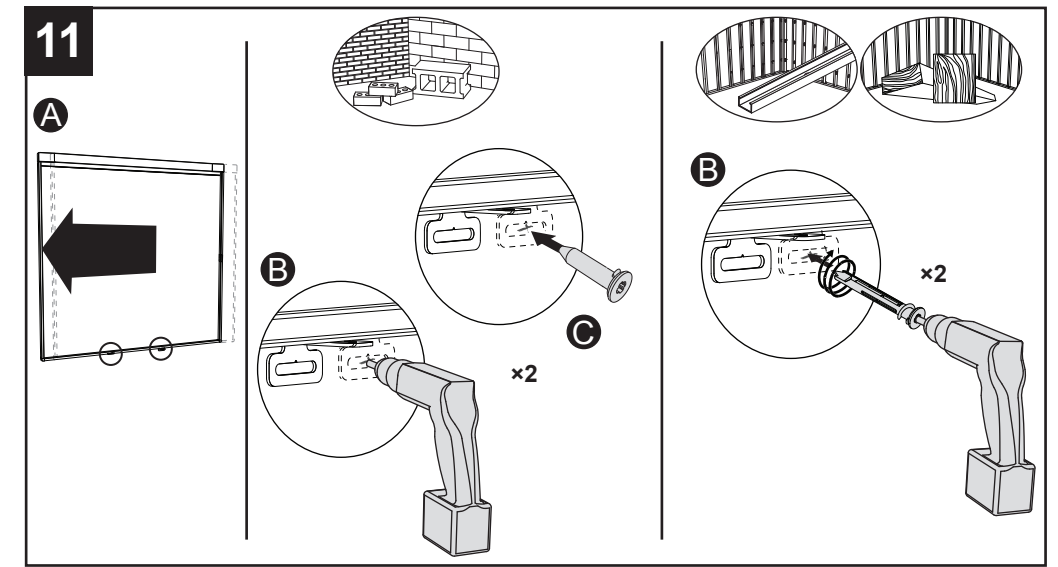
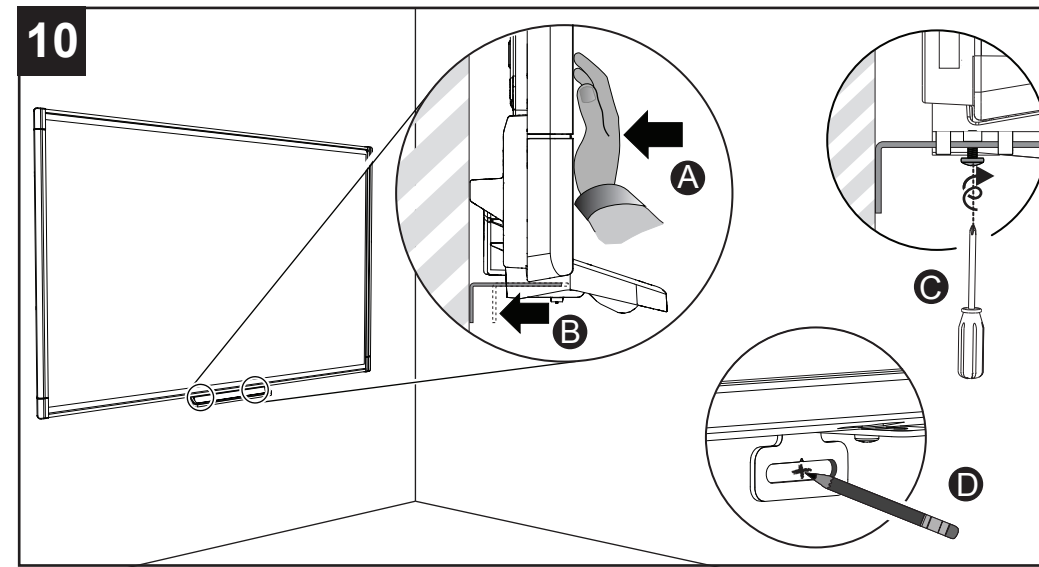
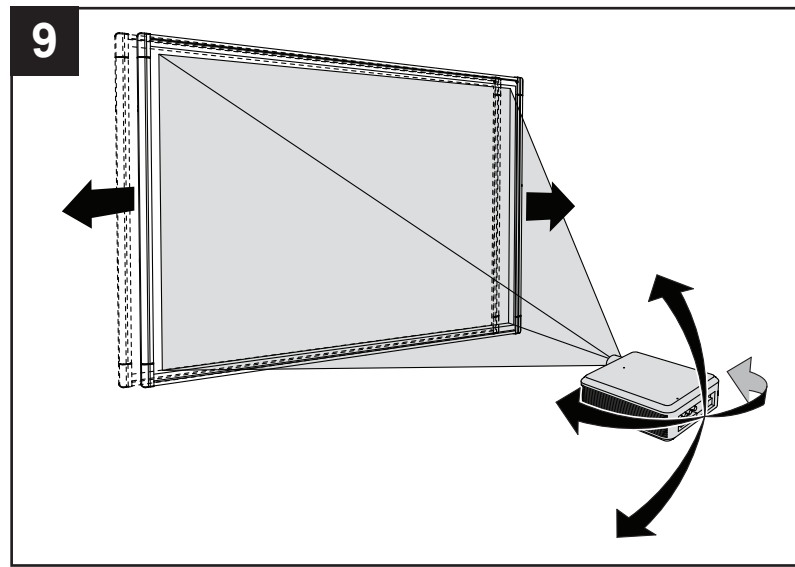
SBM600

SBM600V

8


SBM600V

SBM600



Hardware environmental compliance

SMART Technologies supports global efforts to ensure that electronic equipment is manufactured, sold and disposed of in a safe and environmentally friendly manner.

 **Waste Electrical and Electronic Equipment and Battery regulations (WEEE and Battery Directives)**
 Electrical and electronic equipment and batteries contain substances that can be harmful to the environment and to human health.
 The crossed-out wheeled bin symbol indicates that products should be disposed of in the appropriate recycling stream and not as regular waste.

See smarttech.com/compliance for more information.

smarttech.com/support
smarttech.com/contactsupport

