

# Touchboards SYSTEMA

205 Westwood Ave, Long Branch, NJ 07740  
 Phone: 866-94 BOARDS (26273) / (732)-222-1511  
 Fax: (732)-222-7088 | E-mail: sales@touchboards.com

Systema | Notebook Tray

## General Features

**Max load:**

8KG (17.6 lbs)

**Included Hardware:**

All fasteners and hardware included.

**Compatibility:**

All Systema Monitor arms and Monitor Spring arms

**Colours:**

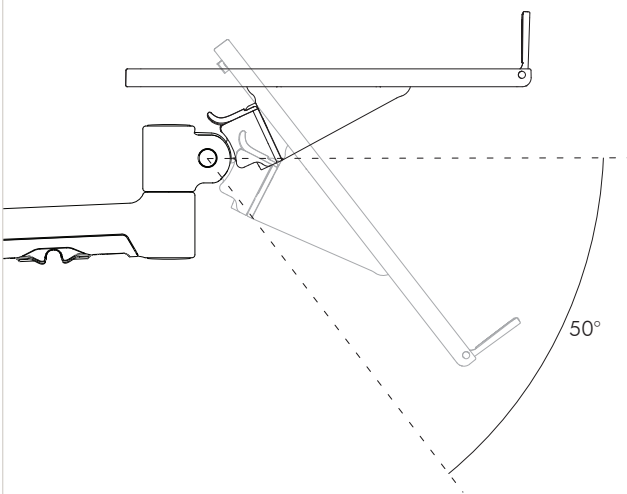
Black

**Warranty:**

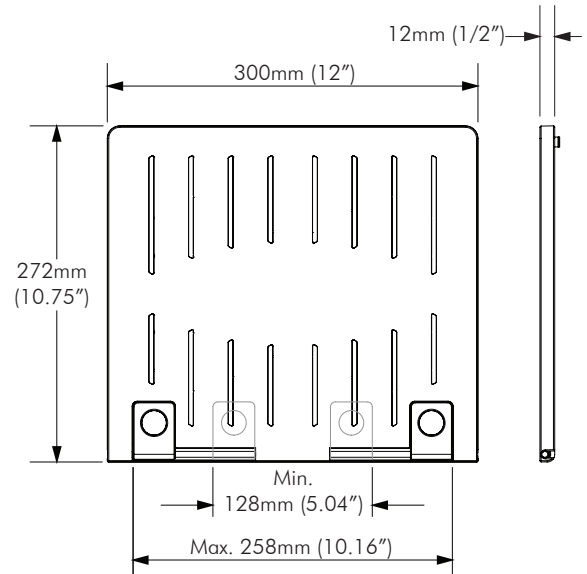
10 years limited

## Dimensions

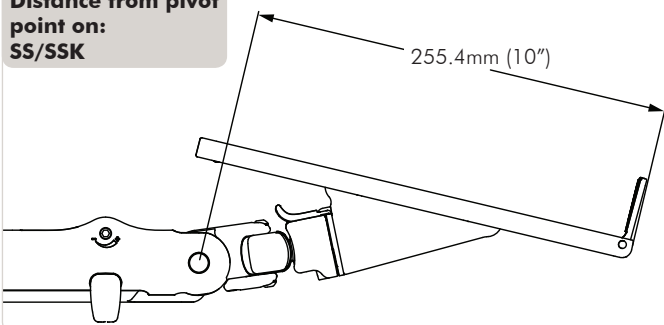
### Tilt Adjustment



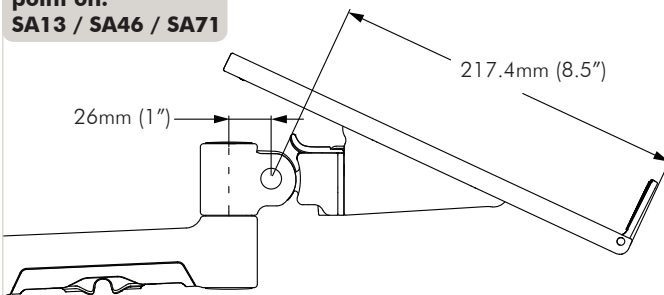
### Tray Dimensions



### Distance from pivot point on: SS/SSK



### Distance from pivot point on: SA13 / SA46 / SA71



### Fine Adjustment

