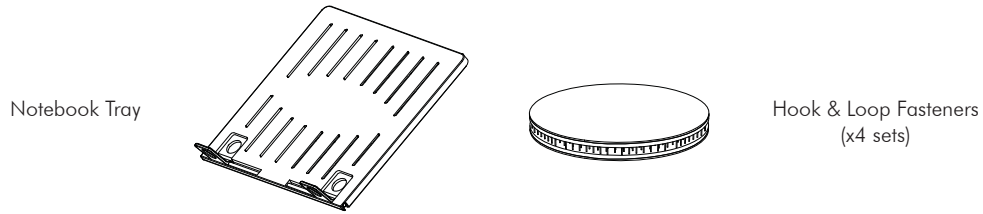


# Touchboards SYSTEMA

205 Westwood Ave, Long Branch, NJ 07740  
 Phone: 866-94 BOARDS (26273) / (732)-222-1511  
 Fax: (732)-222-7088 | E-mail: sales@touchboards.com

Systema | Notebook Tray

## Component Checklist



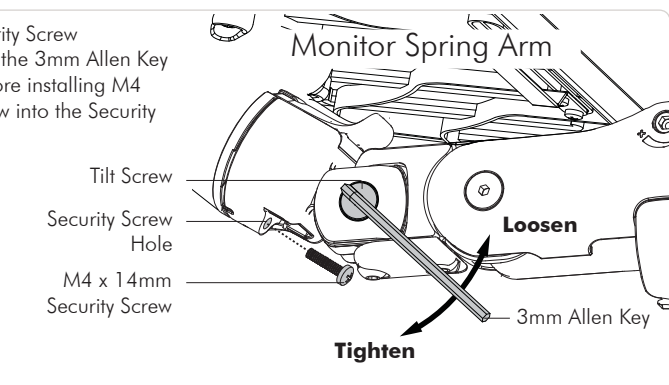
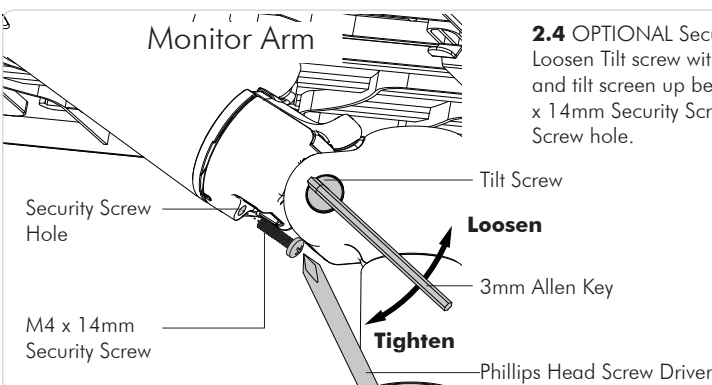
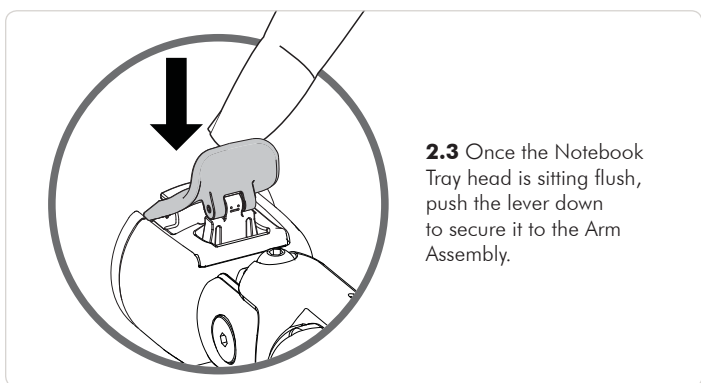
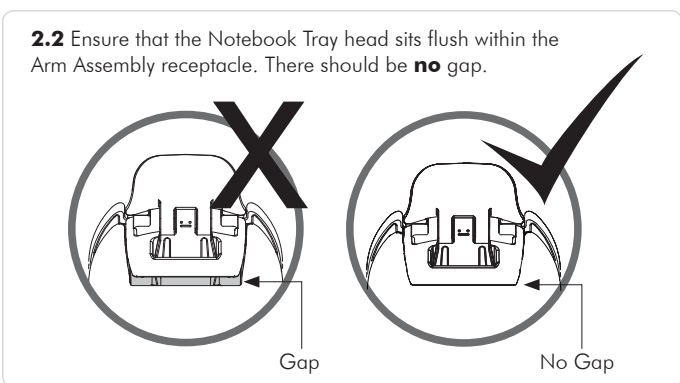
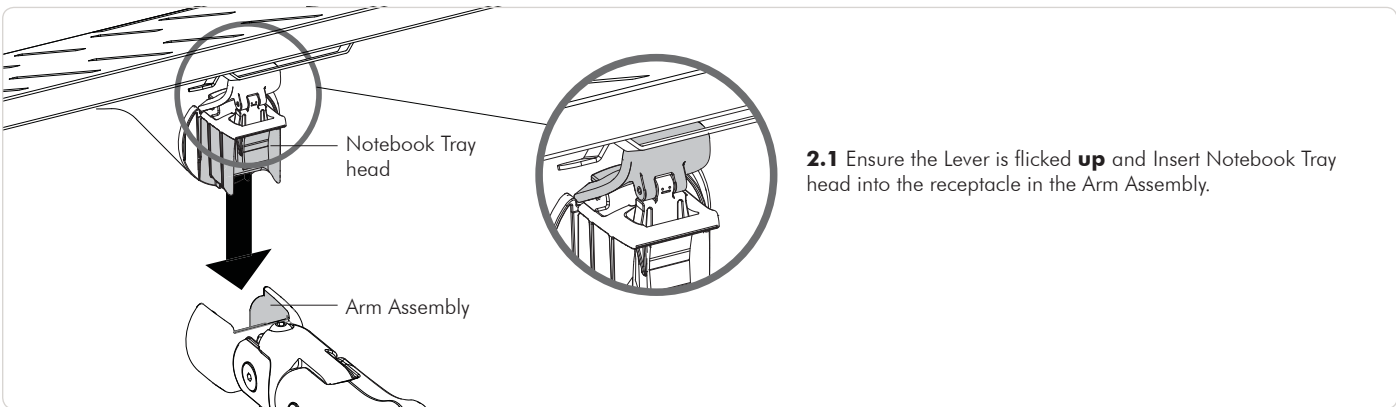
**IMPORTANT INFORMATION:**

- ! **IMPORTANT - Install Systema Notebook Tray as per installation instruction.**
- ! This product supports notebooks up to 18", weighing up to 8kg (17.6lbs).
- ! The Systema Notebook Tray is designed to be used only in conjunction with the Systema range of Monitor arms.
- ! The manufacturer accepts no responsibility for incorrect installation.

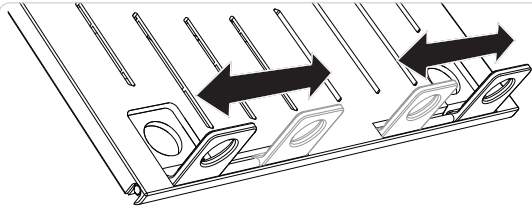
## Step 1. Check Components

Check what you have received against the component checklist and hardware above.

## Step 2. Mount Notebook Tray



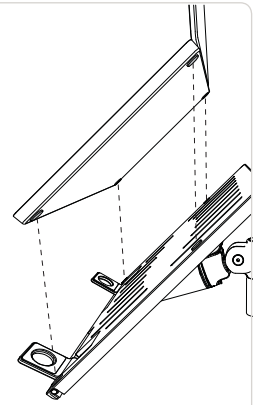
### Step 3. Install Notebook



**3.1** Adjust the Support Tabs to suit the width of the Notebook Computer ensuring that cable ports are not obstructed.

**3.2** To increase stability, use the self adhesive Hook-and-Loop Fasteners supplied.

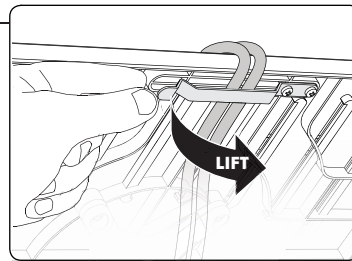
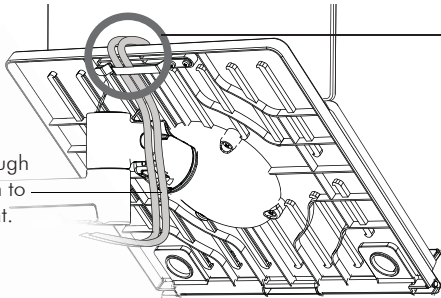
- Peel off the backing paper to the fasteners.
- Attach fasteners to both the Notebook Tray and Computer.
- Ensure that each set of fasteners are correctly aligned i.e. Hook to Loop.



### Step 4. Cable Management

**4.2** Cable Clips and Covers can be used to further manage cables.

**Note:** Ensure enough cable slack is given to allow for movement.

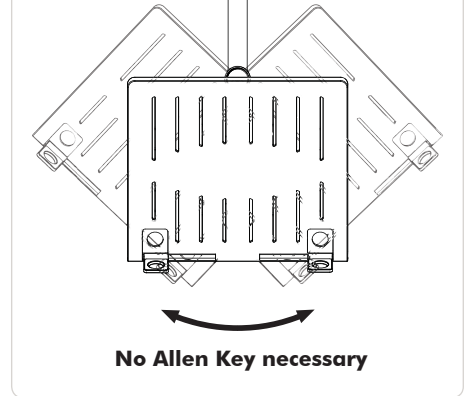
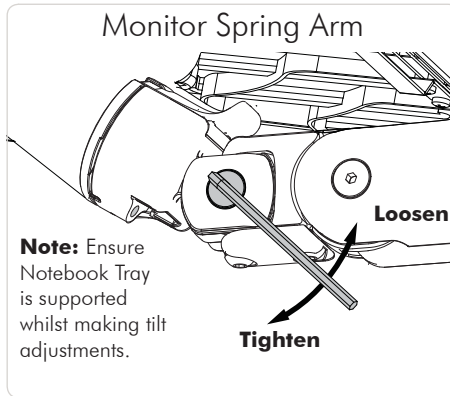
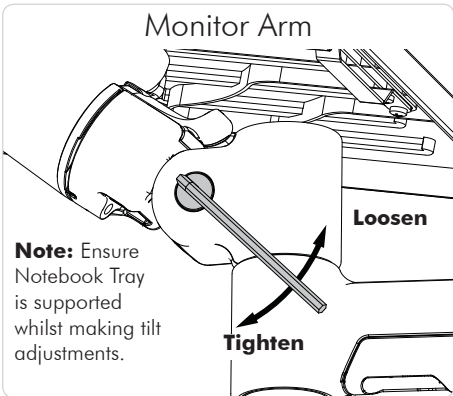


**Note:** After connecting the Notebook Cables, route them through the Cable Management Clip on the back of the Notebook Tray.

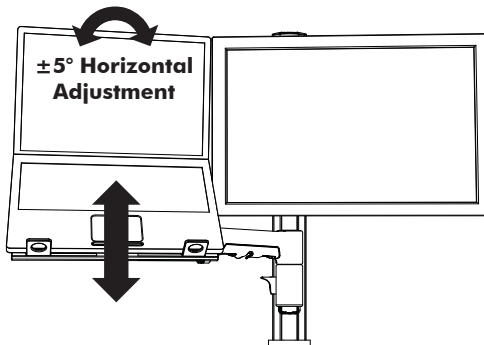
### Step 5. Adjusting the Notebook Tray

**Tilt** (Screen angle up/down) (Use 3mm Allen key)

**Pan** (Screen angle left/right)



### Horizontal Adjustment



For the optimal position of your display, refer to the Ergonomic Guidelines in your Systema Monitor and Monitor Spring Arm manuals.

### Installation Complete

