

SPI-PROW

SpiroLock™ Projector Mount with 1.5 in. NPT Coupler

LIST \$199.00	Color: White
Weight	4.86 lb. 2.2 kg
Weight Cap. per Head	45 lb. 20.4 kg
Height	6.14 in. 156 mm
Mounting Reach	17.25 in. 438.2 mm
Pitch	+6.00° / -6.00°
Ceiling Pitch	70.00°
Projector Pitch	6.00°
Roll	+6.00° / -6.00°
Yaw	+360.00° / -360.00°

Downloads at Mounts.com



[Data Sheet](#)



[Bid Specification Document](#)



45 lb.



+360.00°
-360.00°



+6.00°
-6.00°



+6.00°
-6.00°



+6.14

DESCRIPTION

The SPI-PROW holds projectors up to 45 lb. and has an integrated 1.5 in. NPT coupler. The SpiroLock™ torsion-spring on this projector mount allows quick and easy installation. The bottom piece attaches to the projector, the top piece connects to the ceiling and then the installer simply lifts, turns and pushes the projector into place until the SpiroLock™ snaps it firmly together. Radial Glide™ provides six degrees of omnidirectional pitch.

FEATURES

- Adapts to 1.5 in. NPT
- Includes ceiling plate and threaded pipe nipple
- Internal safety device holds projector securely in place during detachment
- Easy release to staging position allows projector removal with both hands
- Universal mounting legs reach a large variety of projector mounting points
- Radial Glide™ allows quick and easy, tool-free projector alignment
- Two-piece mount allows separate ceiling and projector installation, then twists and locks together



Touchboards

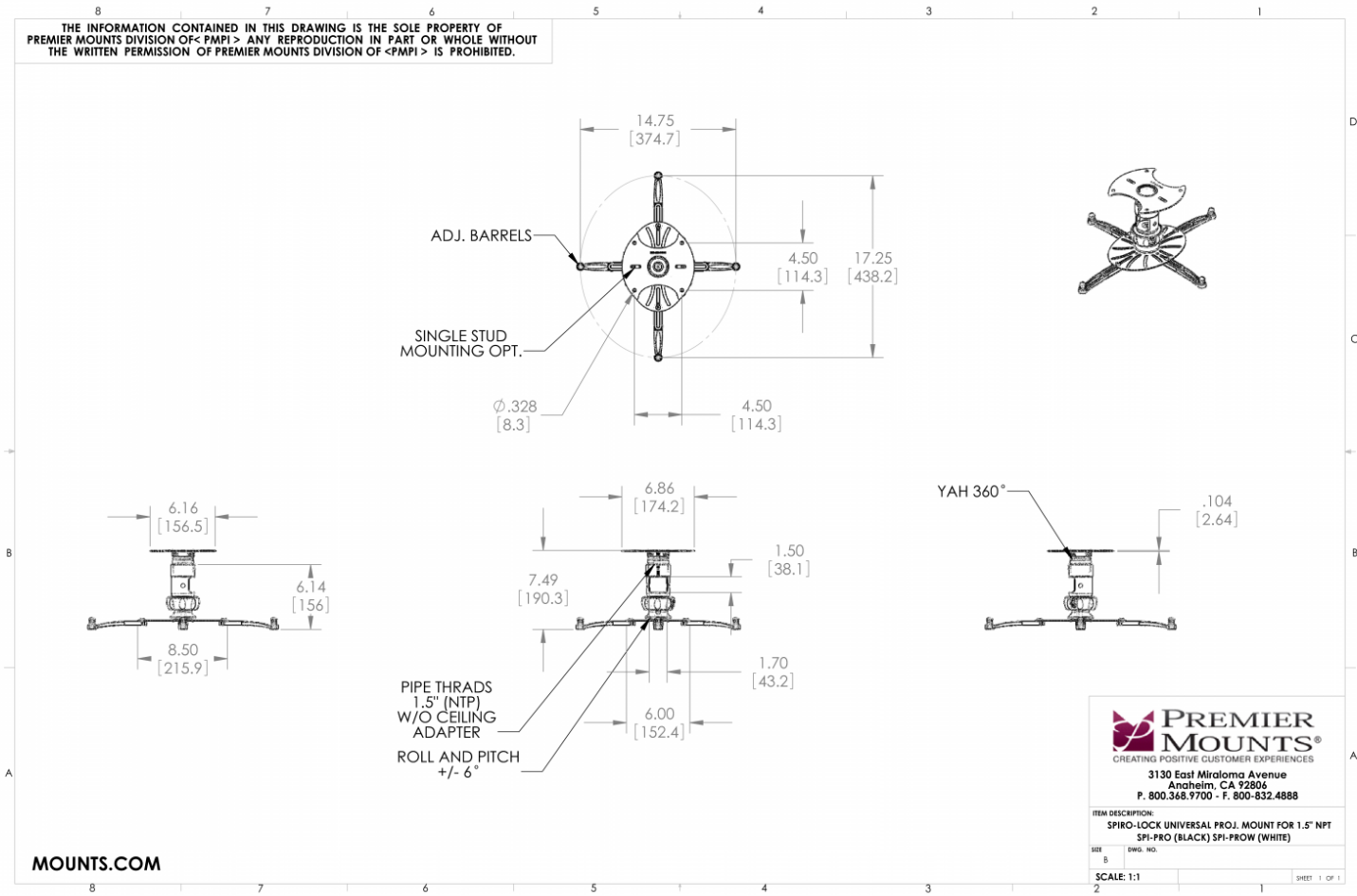
205 Westwood Ave, Long Branch, NJ 07740
Phone: 866-94 BOARDS (26273) / (732)-222-1511
Fax: (732)-222-7088 | E-mail: sales@touchboards.com

SPI-PROW

SpiroLock™ Projector Mount with 1.5 in. NPT Coupler

DOWNLOAD FULL SIZE CAD FILES AND DIMENSIONAL DRAWINGS AT MOUNTS.COM

THE INFORMATION CONTAINED IN THIS DRAWING IS THE SOLE PROPERTY OF PREMIER MOUNTS DIVISION OF <PMPI>. ANY REPRODUCTION IN PART OR WHOLE WITHOUT THE WRITTEN PERMISSION OF PREMIER MOUNTS DIVISION OF <PMPI> IS PROHIBITED.



PREMIER MOUNTS®
 CREATING POSITIVE CUSTOMER EXPERIENCES
 3130 East Miraloma Avenue
 Anaheim, CA 92804
 P. 800.368.9700 - F. 800-632.4888

ITEM DESCRIPTION:
 SPIRO-LOCK UNIVERSAL PROJ. MOUNT FOR 1.5" NPT
 SPI-PRO (BLACK) SPI-PROW (WHITE)
 SIZE: B
 DWG. NO.:
 SCALE: 1:1
 SHEET 1 OF 1

MOUNTS.COM