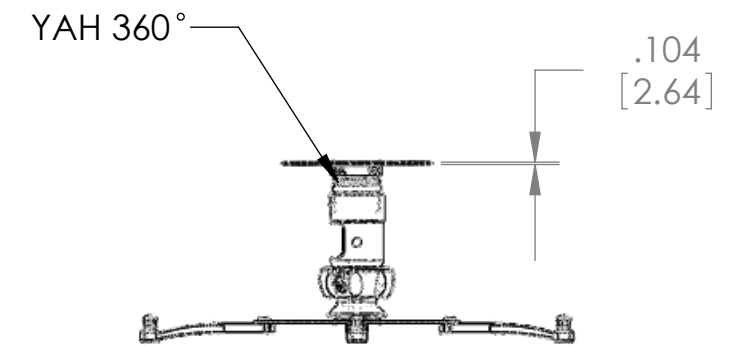
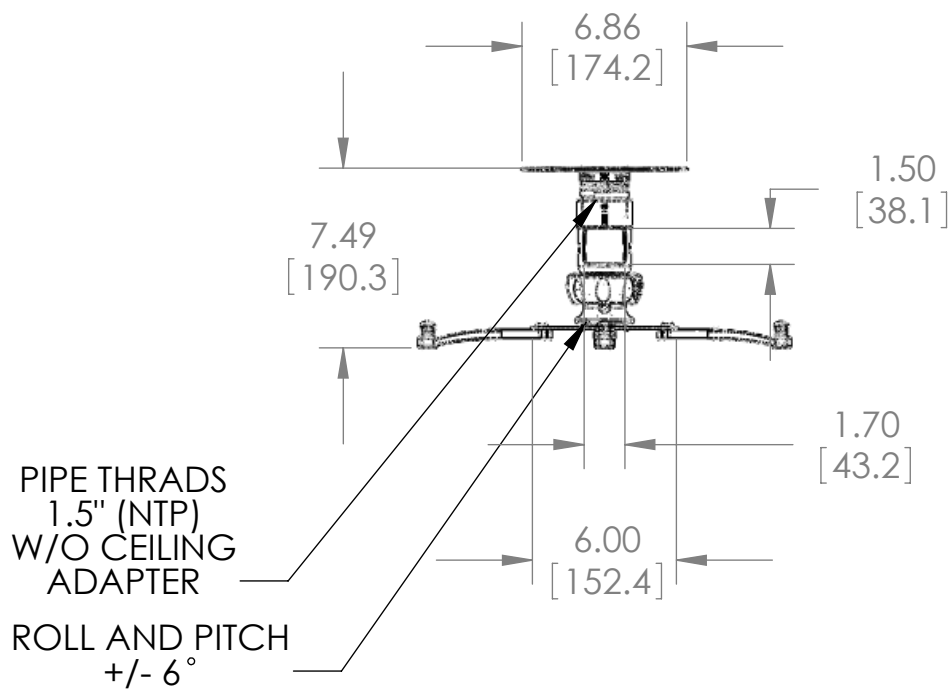
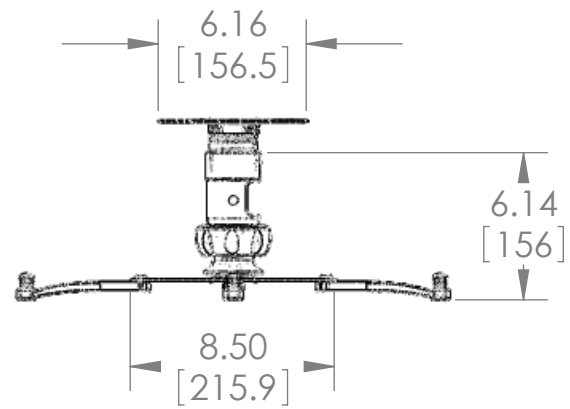
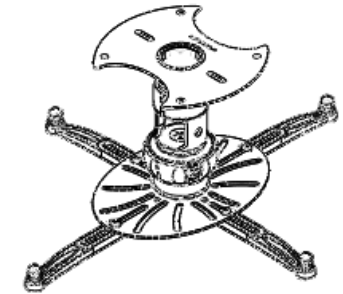
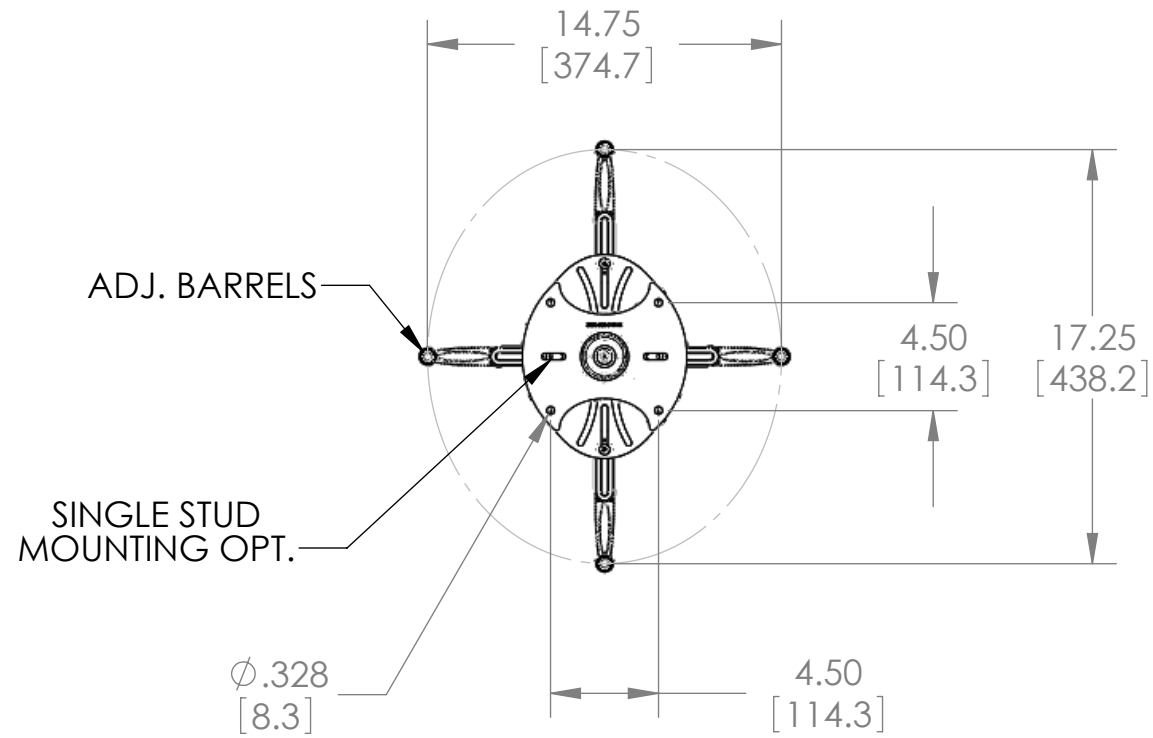


THE INFORMATION CONTAINED IN THIS DRAWING IS THE SOLE PROPERTY OF PREMIER MOUNTS DIVISION OF <PMPI> ANY REPRODUCTION IN PART OR WHOLE WITHOUT THE WRITTEN PERMISSION OF PREMIER MOUNTS DIVISION OF <PMPI> IS PROHIBITED.



205 Westwood Ave, Long Branch, NJ 07740  
 Phone: 866-94 BOARDS (26273) / (732)-222-1511  
 Fax: (732)-222-7088 | E-mail: sales@touchboards.com



MOUNTS.COM



3130 East Miraloma Avenue  
 Anaheim, CA 92806  
 P. 800.368.9700 - F. 800-832.4888

ITEM DESCRIPTION:  
 SPIRO-LOCK UNIVERSAL PROJ. MOUNT FOR 1.5" NPT  
 SPI-PRO (BLACK) SPI-PROW (WHITE)

SIZE B DWG. NO.

SCALE: 1:1 SHEET 1 OF 1