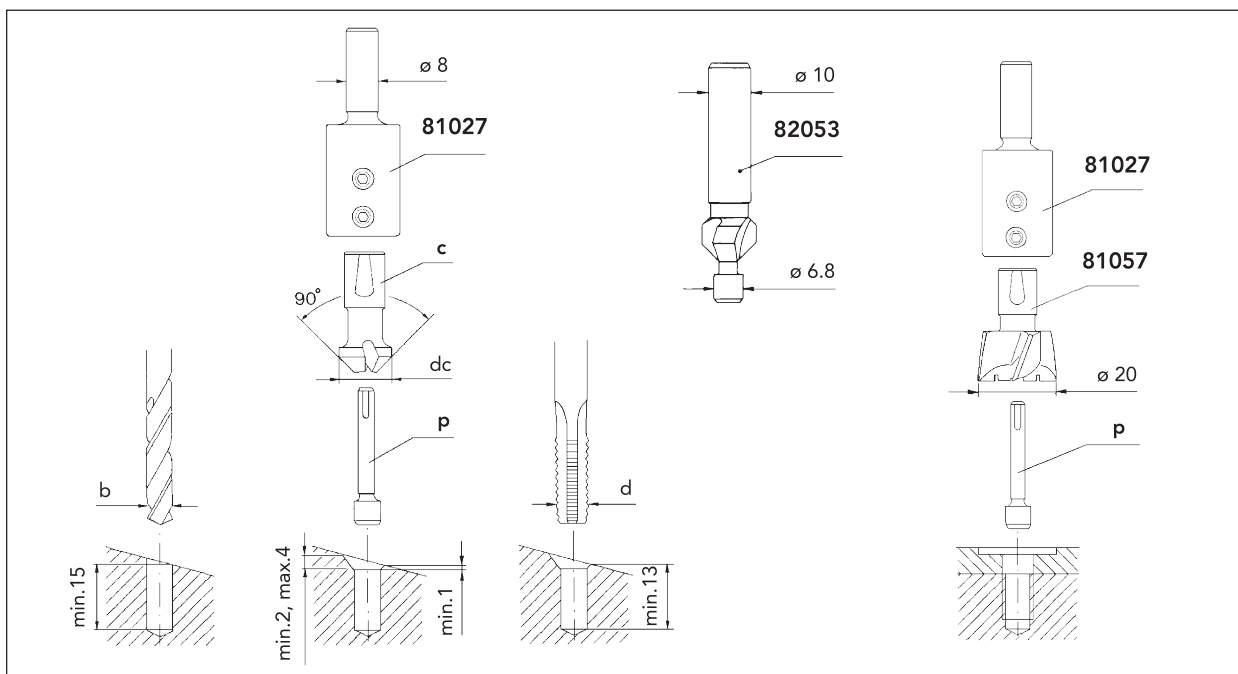


Countersinking tools for adapters and transducers



Combination tools

The listed tools are used for correct countersinking of mounting holes for adapters and standard shock pulse transducers. The combination tool consists of a holder, a replaceable countersink and replaceable pilots. Ordering numbers are shown beside.

81057 Counterbore

The counterbore is used for flat face milling of mounting holes for shock pulse transducers in bolt design and vibration transducers. The counterbore is mounted in holder 81027 together with a pilot according to the table beside.

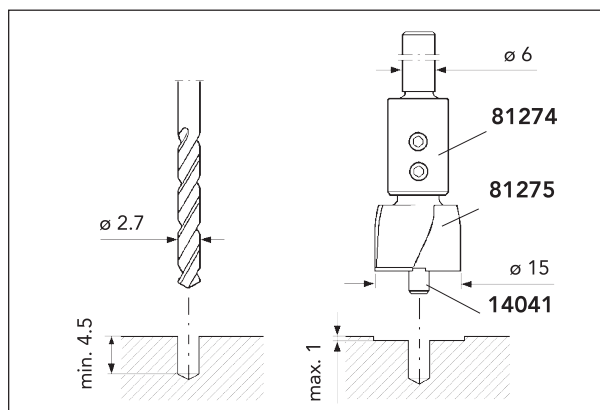
b (mm)	p	c	dc (mm)	d
5.5	81030	81028	ø12	M6/UNF 1/4"
6.9	81031	81028	ø12	M8
6.6	81032	81028	ø12	UNC 5/16"
8.6	81033	81028	ø12	M10
8.1	81034	81028	ø12	UNC 3/8"
10.3	81035	81029	ø15	M12
10.9	81036	81029	ø15	UNC 1/2"

82053 Countersink with fixed pilot

The countersink is intended for mounting hole M8.

Counterbore for Glue-on Transducer 40010

- 14042 Counterbore, complete
- 81274 Holder for counterbore
- 81275 Counterbore, diameter 15 mm
- 14041 Pilot, diameter 2.7 mm



Tools for measuring point preparation

BEX-20 center drill and BEX-21 ball shaped rotary file are used to prepare measuring points for the probe transducer, and to facilitate drilling of mounting holes for adapters, studs, and transducers at an angle.

