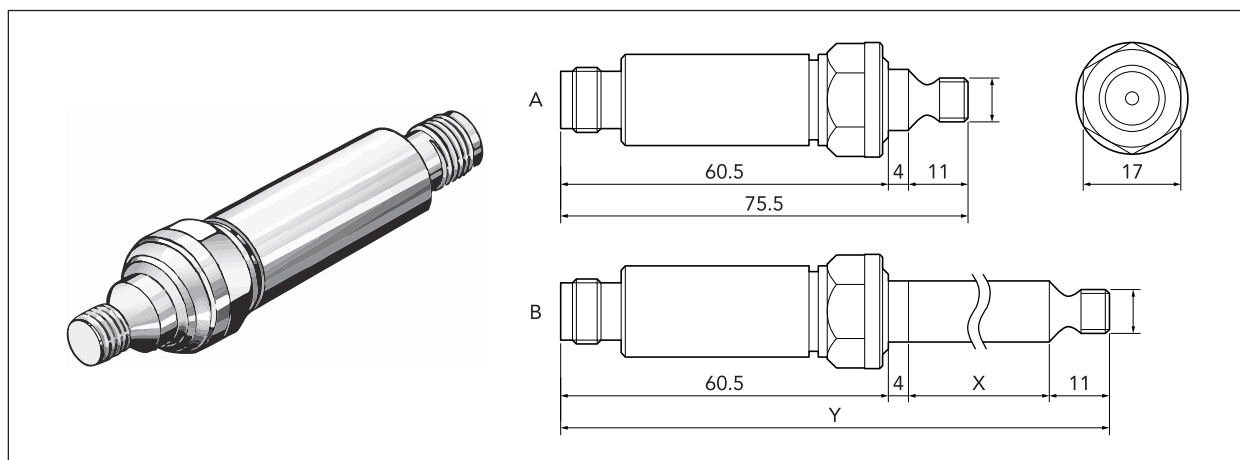


Shock pulse transducer with TMU



The shock pulse transducer with Transducer Matching Unit (TMU) is used in permanent SPM installations for bearing monitoring, in cases where the cable length between the transducer and measuring unit exceeds 4 m. This allows a cable length of max. 100 m. The transducer with TMU is installed in a countersunk mounting hole on the bearing housing, in the same way as standard transducers.

A shock pulse transducer with TMU converts the shock pulses emitted by the bearing into an electric signal and stabilizes the signal for transmission via a long cable. A coaxial cable connects the transducer to a measuring terminal or measuring unit.

Transducer housing and base are made of stainless, acid-proof steel, suitable for aggressive environments. The thread size is M8, with UNC 5/16" as an alternative. The standard length (A) is 75.5 mm. Extended transducers (B) are used to reach bearing housings beneath protective covers.

The transducer is normally connected with TNC plug 93022. In moist environments, the coaxial cable must be connected with sealing TNC plug 13008. TNC angle plug 93077 can be used in narrow spaces.

Part numbers

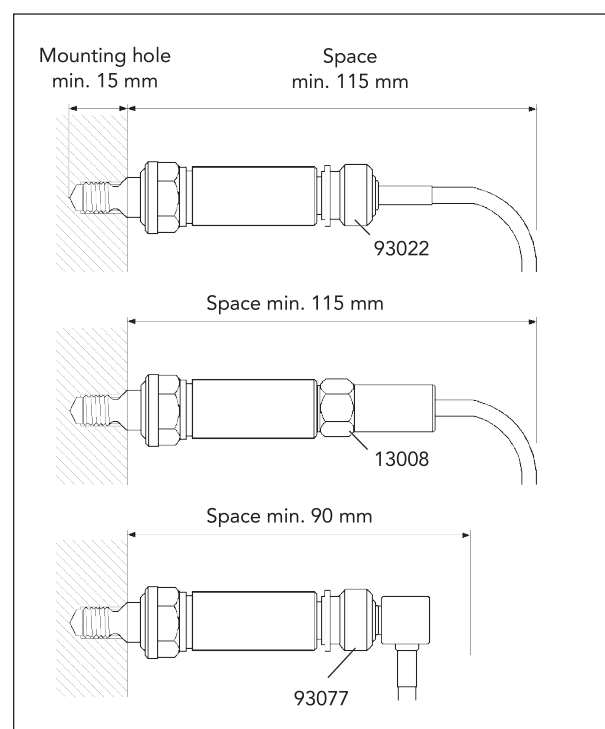
42000	Shock pulse transducer with TMU, M8x1.25
42006	Shock pulse transducer with TMU, M8x1.25, extended: X = 54 mm; Y = 129.5 mm
42007	Shock pulse transducer with TMU, M8x1.25, extended: X ≈ 290 mm; Y ≈ 365.5 mm
42008	Shock pulse transducer with TMU, M8x1.25, extended: X = 89 mm; Y = 164.5 mm
42100	Shock pulse transducer with TMU, UNC 5/16-18

Technical specifications

Measuring range:	max. 100 dBsv
Housing, base:	stainless acid-proof steel, Sandvik Grade:1802, EN:1.4523 sealed
Design:	sealed
Connector tightness:	IP65 with TNC connector IP67 with connector 13008
Temperature range:	-30 °C to +100 °C
External overpressure:	max. 0.7 MPa (7 bar)
Torque:	15 Nm
Connector:	TNC jack
Weight:	67 g



SPM Instrument AB • Box 504 • SE-645 25 Strängnäs • Sweden
Tel +46 152 22500 • info@spminstrument.se • www.spminstrument.com



Installation tools

82053	Countersink with a fixed pilot for M8
81027	Holder for countersink
81028	Countersink, angle 90°, 12 mm diameter
81031	Pilot for M8
81032	Pilot for UNC 5/16"

To drill the mounting hole, use drill bits 6.9 mm for M8, 6.6 mm for UNC 5/16".

Tighten and unscrew the transducer with a torque wrench and a long 17 mm socket (81086).