

SR598



Display size
55"-98"



Max load
225lb (102.3kg)
display

Flat Panel Cart

FOR 55" TO 98" DISPLAYS

The SR598 Flat Panel Cart has been redesigned to include all of the features you may need, making it perfect for any application. Mobility, appealing design, display height adjustment, pre-assembled base and UL® certification ensure quick assembly while providing a ridged, but attractive, structure that fits into any décor. The 4" castors make it easy to move from room to room while the UL® certification ensures you that it can be done with safety in mind.

Designed to meet UL certifications, the SR598 incorporates safety and security, ensuring you get the job done correctly.



Additional Features

- ✓ Display can be located anywhere along the column for perfect viewing height (up to 60" at center)
- ✓ Integrated cable management protects, contains and conceals cables for a clean, professional installation
- ✓ Maneuvers easily on 4" (102mm) swivel casters, two locking
- ✓ Pre-assembled base provides rigidity, stability and quick assembly
- ✓ Textured black powder coat finish helps hide finger prints and dust
- ✓ Open frame display adaptor helps prevent display input interference
- ✓ Optional ACC-MS component shelf can be positioned anywhere along either column by simply lifting and repositioning
- ✓ Universal mount fits displays with mounting patterns from 200 x 200mm up to 900 x 600mm

PLUMB ADJUSTMENT

5 degrees of negative adjustment keeps even the heaviest of displays level

OPEN FRAME ADAPTOR

Helps prevent display input interference

VERTICAL ADJUSTMENT

Display and optional component shelf can be located anywhere along the column (up to 60" at center)

UL/CUL CERTIFIED

Provides the highest level of safety

COMPONENT PLACEMENT

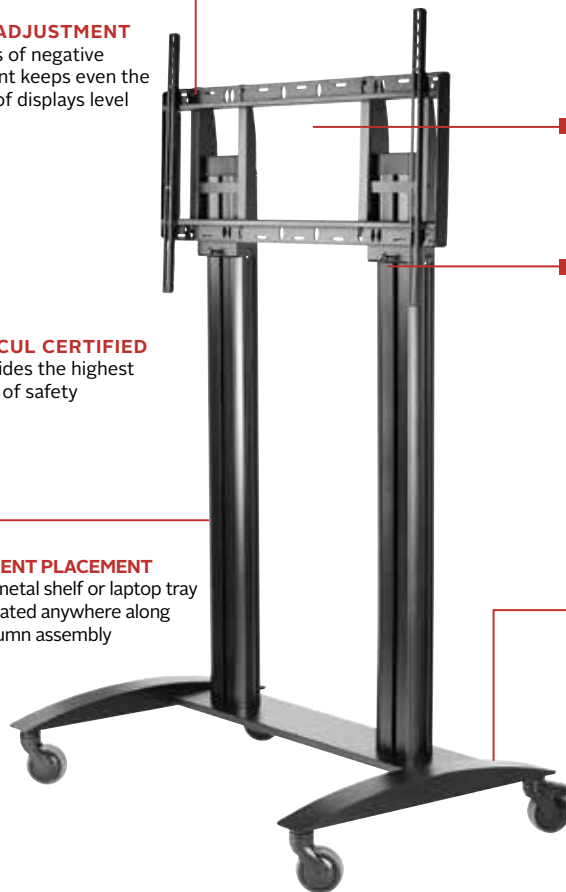
Optional metal shelf or laptop tray can be located anywhere along either column assembly

WELDED BASE

Provides rigidity, stability and quick assembly

SAFE AND EASY MANEUVERABILITY

4" (102mm) swivel casters meet UL/CUL requirements



SR598	Flat Panel Cart for 55" to 98" Displays
--------------	---

Product Specifications

	DIMENSIONS (W X H X D)	PRODUCT WEIGHT	LOAD CAPACITY	FINISH	AVAILABLE COLORS
SR598	46.01" x 68.38" x 29.00" (1169 x 1736 x 737mm)	89lb (40.5kg)	225lb (102.3kg) display	Textured Powder Coat	Black

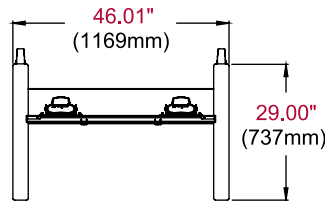
Package Specifications

	PACKAGE SIZE (W x H x D)	PACKAGE SHIP WEIGHT	PACKAGE UPC CODE	PACKAGE CONTENTS	UNITS IN PACKAGE
SR598	47.50" x 38.50" x 12.50" (1207 x 978 x 318mm)	109lb (49.5kg)	735029304975	Assembled base, (2) Aluminum columns, Universal display adaptor, (2) swivel casters, (2) locking swivel casters, hardware & instructions	1

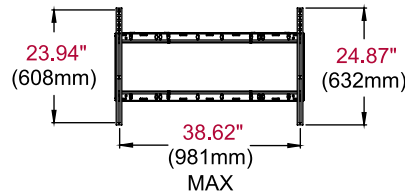
Accessories

- | | |
|---|--|
| ACC310: Feet Accessory | ACC-GS1: Tempered Glass Shelf |
| ACC316: Safety Belt | ACC-LA: Laptop Arm |
| ACC320: Electrical Outlet Strip with Cord Wrap | ACC-MS: Metal Shelf |
| ACC-BPR: Bumper Accessory for legs | ACC-VCS: Video Conferencing Shelf |

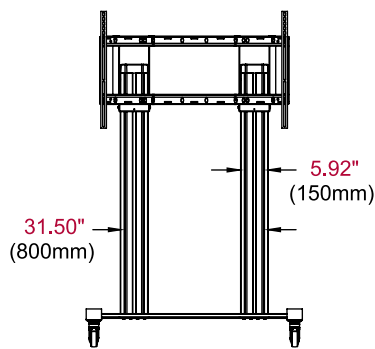
All dimensions = inch (mm)



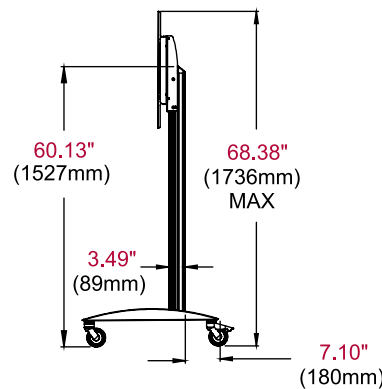
TOP VIEW



ADAPTOR BRACKET



FRONT VIEW



SIDE VIEW

Architect Specifications

The Flat Panel Cart shall be a Peerless-AV model SR598 and shall be located where indicated on the plans. Assembly and installation shall be done according to instructions provided by the manufacturer.

Visit peerless-av.com to see the complete line of AV solutions from Peerless-AV, including outdoor displays, wireless, kiosks, digital audio, display mounts, projector mounts, carts/stands, and a full assortment of accessories.

Peerless-AV
2300 White Oak Circle
Aurora, IL 60502 USA
(800) 865-2112
(630) 375-5100
Fax: (800) 359-6500

Peerless-AV Europe
Unit 3 Watford Interchange
Colonial Way, Watford
Herts, WD24 4WP
United Kingdom
+44 (0) 1923 200100
Fax: +44 (0) 1923 200101

Peerless-AV de México
Ave de las Industrias 413
Parque Industrial Escobedo
Escobedo, N.L.,
Mexico 66050
+52 (81) 8384-8300
Fax: +52 (81) 8384-8360

