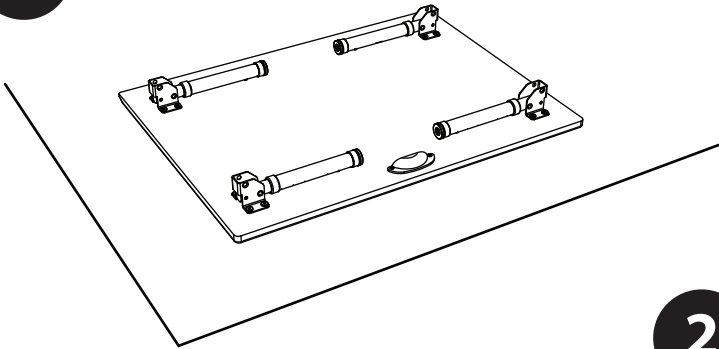
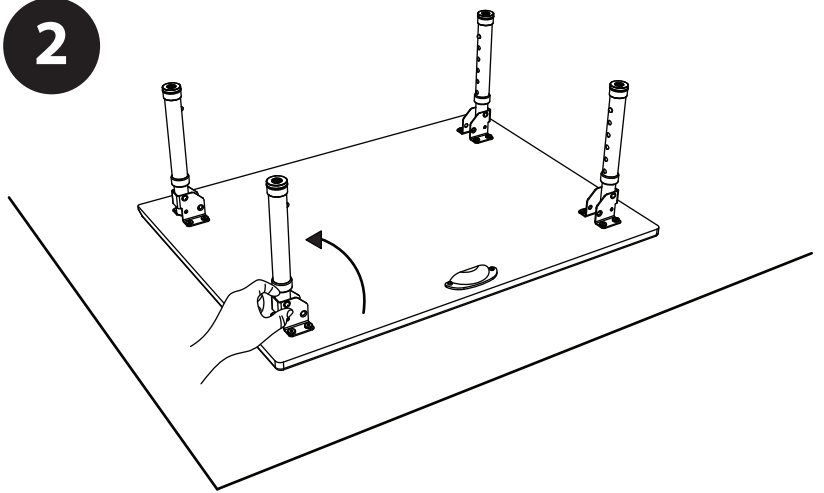


Assembly Guide
No tools required!

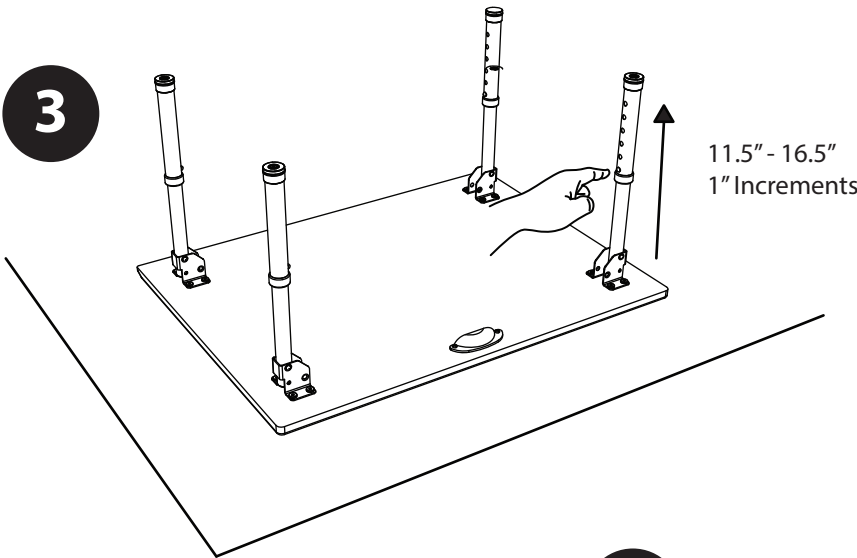
1



2



3



4

