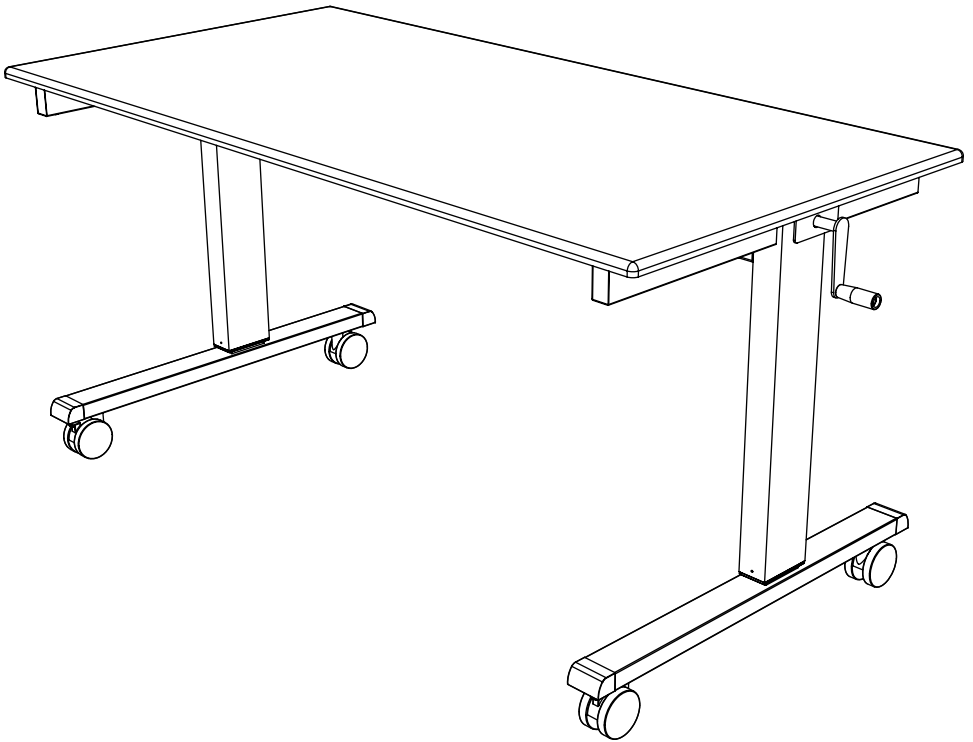


# Touchboards

205 Westwood Ave, Long Branch, NJ 07740  
Phone: 866-94 BOARDS (26273) / (732)-222-1511  
Fax: (732)-222-7088 | E-mail: [sales@touchboards.com](mailto:sales@touchboards.com)



## Stand Up Crank Flat Top Desk Assembly Guide for 60" & 48" Wide Desks

# Table of Contents

Table of Contents . . . . .	2
Parts List & Hardware . . . . .	3
<u>Assembly and Installation</u>	
Assembly of the right and left frame . . . . .	4
Assembly of the cross bars . . . . .	5
Place crank adjustment housing . . . . .	6
Attach crank adjustment housing . . . . .	7
Flip desk upright . . . . .	8
Install cable clips and optional electric . . . . .	9
Attach the desk surface . . . . .	10
Finish assembly and tighten bolts . . . . .	11

## **ATTENTION!**

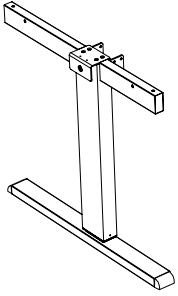
Do not fully tighten screws until completely assembled

## **WE ARE GIVING YOU A STANDING OVATION**

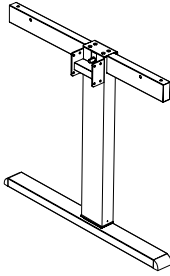
You did it! You took the first step towards healthier living by purchasing our stand up desk. We couldn't be happier to have you joining the millions of people who were tired of sitting around and ready to take a stand for a healthier life.

This desk was built with you in mind and every detail was carefully crafted. The following assembly guide is best accomplished with two people. If you have any questions or concerns give us a call at: **1-800-323-4656** or email at: **customerservice@luxorfurn.com**

# Parts List



**A** x1



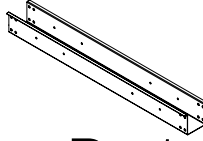
**B** x1



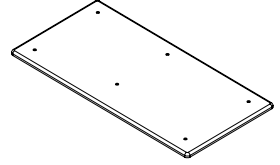
**C** x2



**E** x1



**D** x1



**F** x1



**1** x2



**2** x2



**3** x4



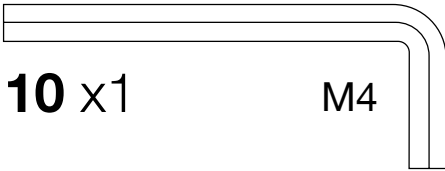
**4** x1

# Hardware (Actual Size)



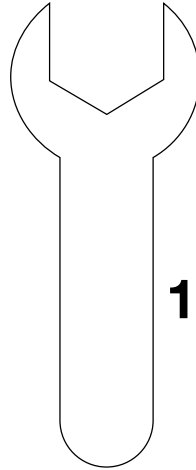
**9** x1

M5

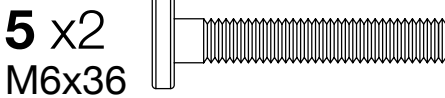


**10** x1

M4

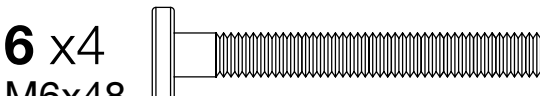


**12** x1



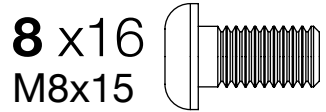
**5** x2

M6x36



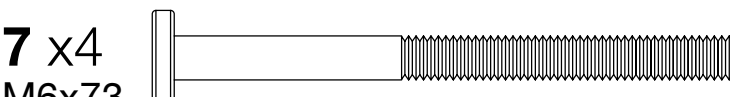
**6** x4

M6x48



**8** x16

M8x15

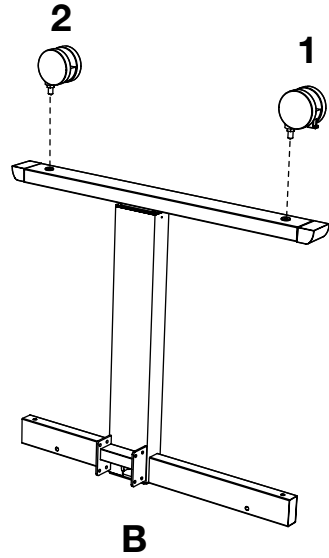
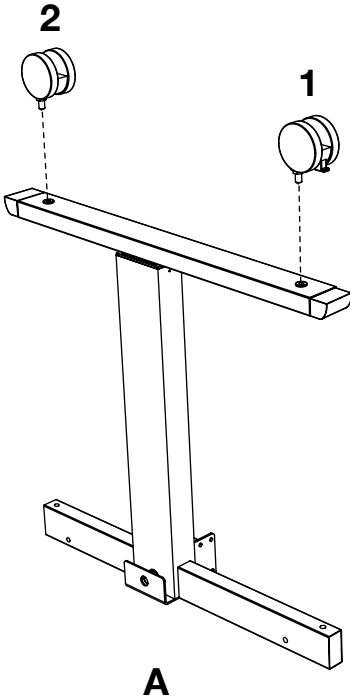


**7** x4

M6x73

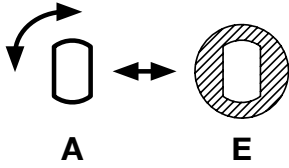
# 1 Assembly of the right and left frame

Tighten casters  
fully with included  
wrench

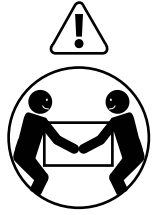


**Gather Parts:**  
A, B, 1, 2, 12

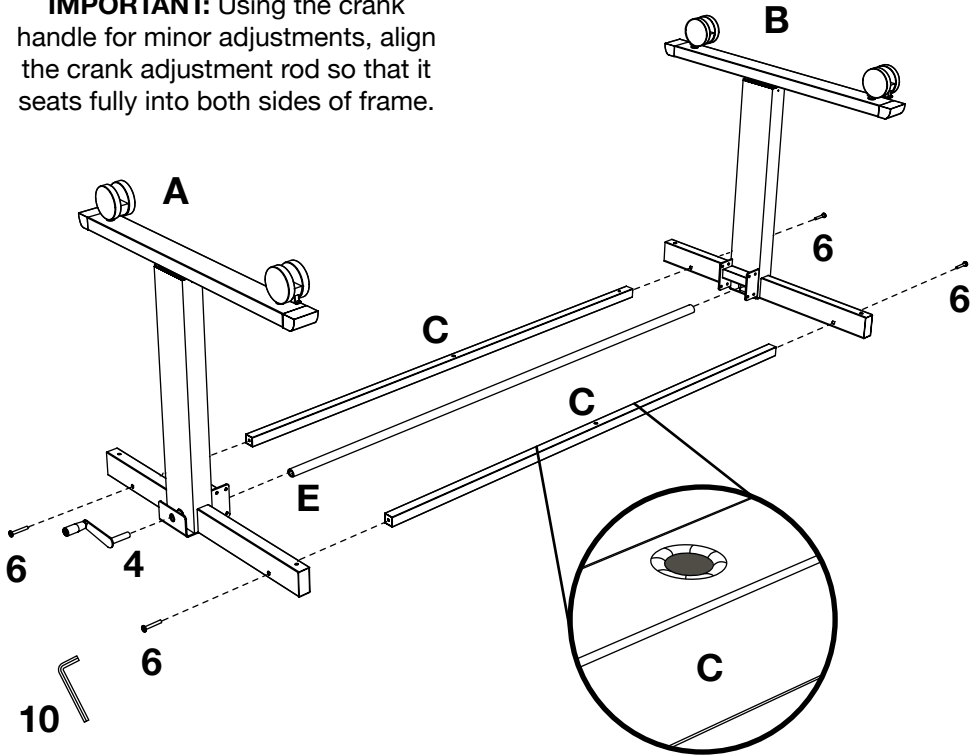
## 2 Assembly of the cross bars



Assistance  
Recommended



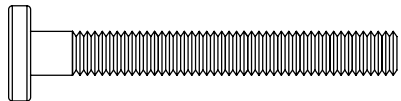
**IMPORTANT:** Using the crank handle for minor adjustments, align the crank adjustment rod so that it seats fully into both sides of frame.



Make sure the indented center hole of the cross bars **C** are facing towards the casters

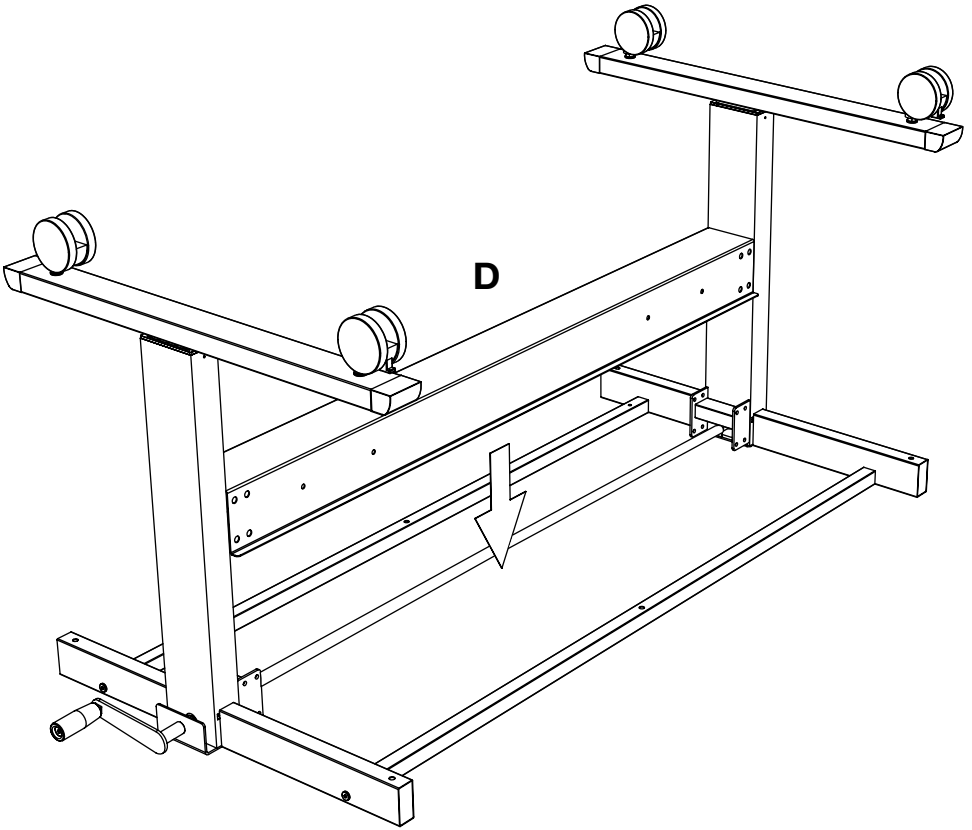
**Gather Parts:**  
C, E, 4, 10

&



**6** x4  
M6x48

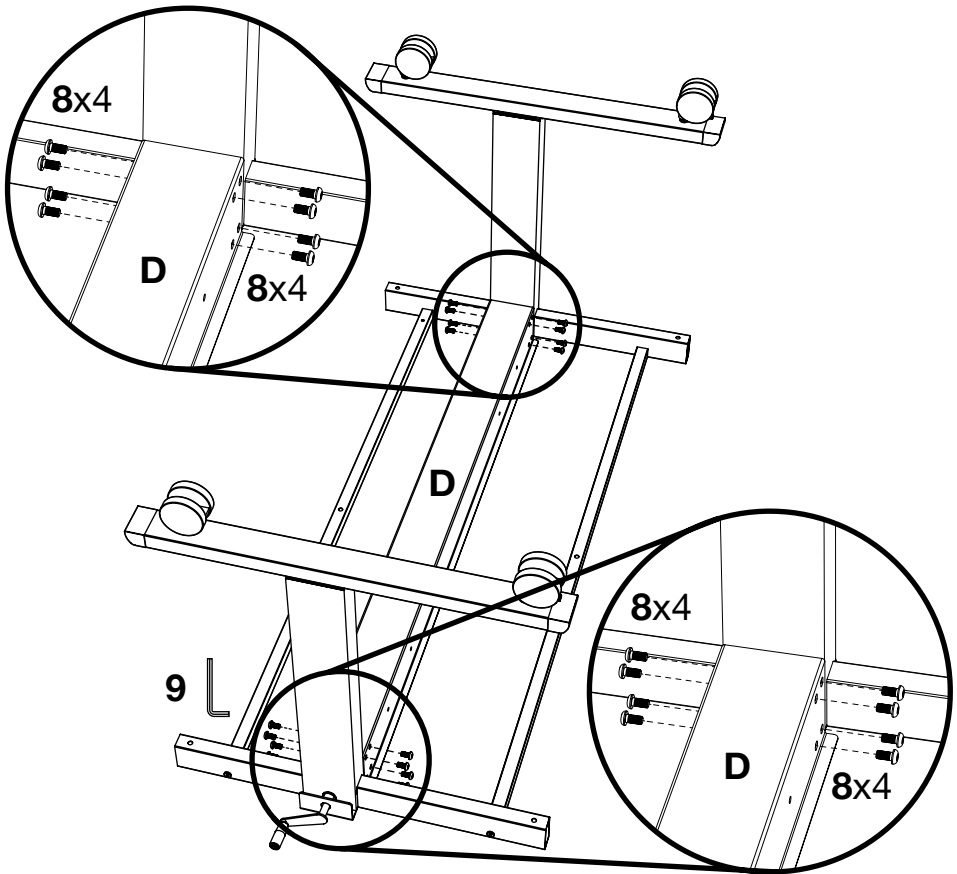
### 3 Place crank adjustment housing



**Gather Parts:**

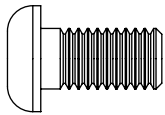
D

# 4 Attach crank adjustment housing



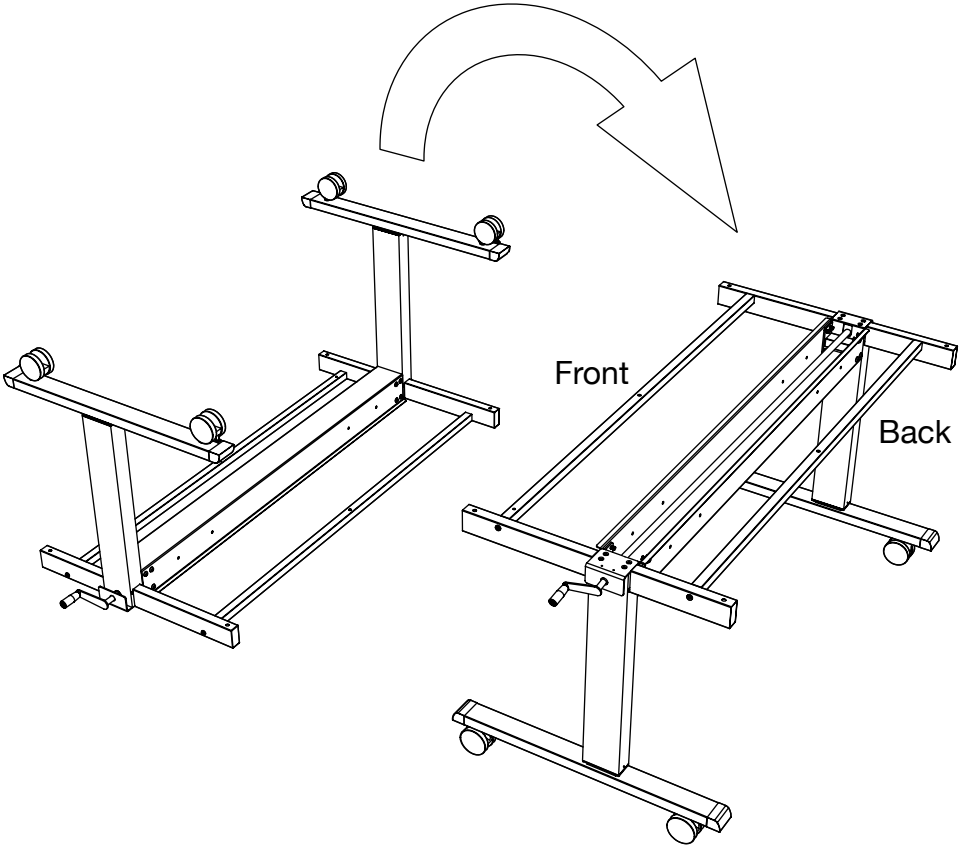
Gather Parts:  
9

&



8 x16  
M8x15

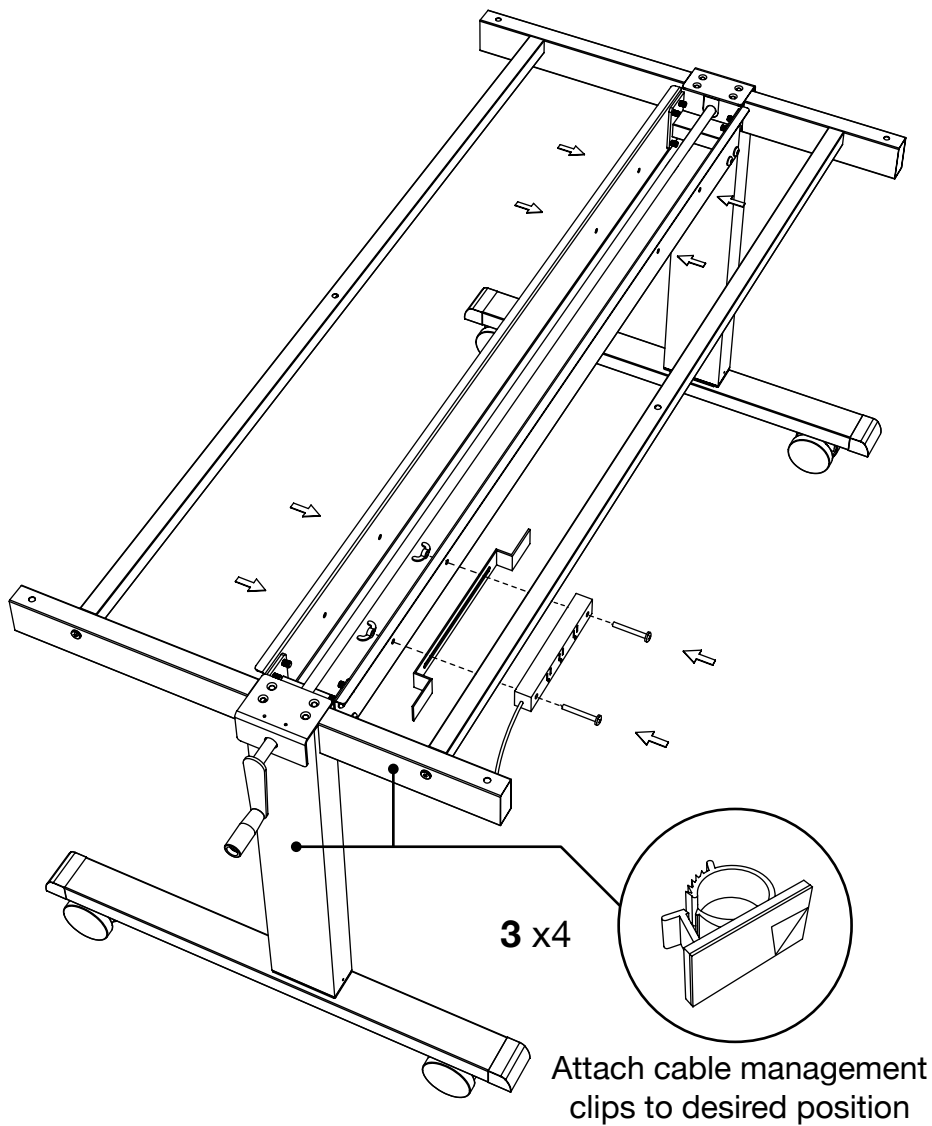
## 5 Flip desk upright



**Heavy Lifting:  
Assistance  
Required**



## 6 Install cable clips and optional electric

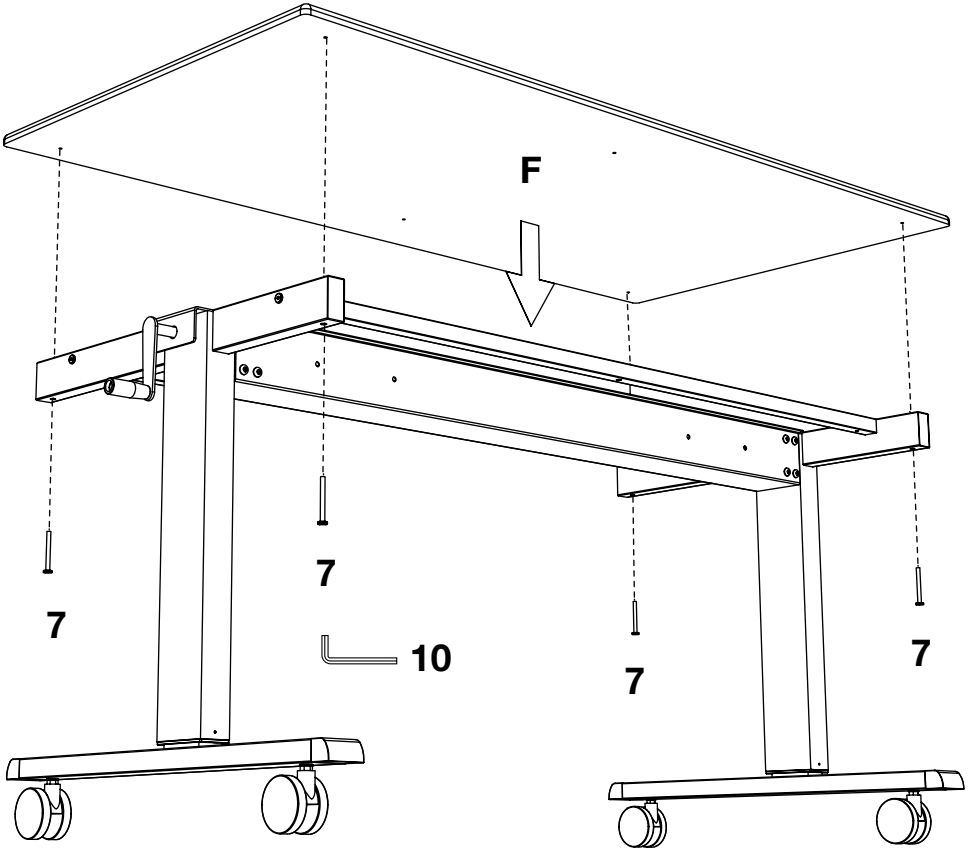


Gather Parts:

3

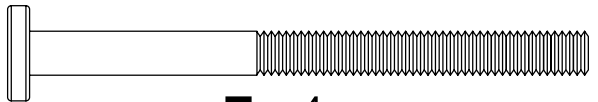
**IMPORTANT:** Install the **OPTIONAL** electric (**SOLD SEPARATELY**) before attaching the desk top to the frame.

# 7 Attach the desk surface



Gather Parts:  
F

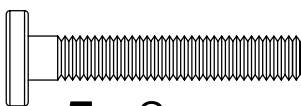
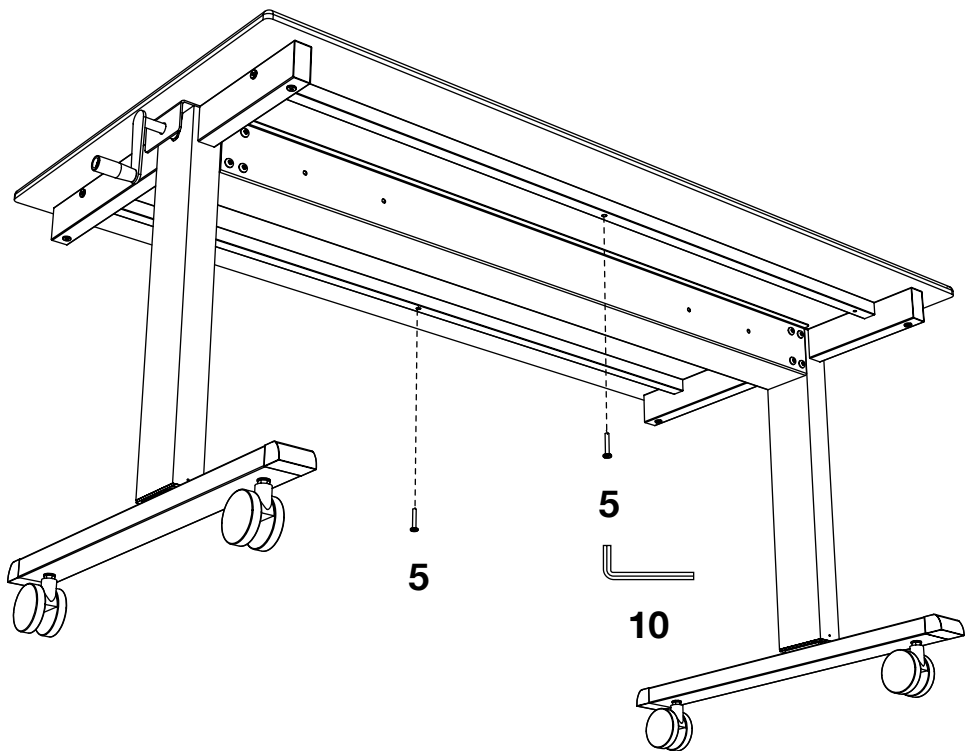
&



7 x4  
M6x73

**8**

# Finish assembly and tighten bolts



**5** x2  
M6x36



**205 Westwood Ave, Long Branch, NJ 07740**  
**Phone: 866-94 BOARDS (26273) / (732)-222-1511**  
**Fax: (732)-222-7088 | E-mail: [sales@touchboards.com](mailto:sales@touchboards.com)**

**Questions or Feedback Call Us at:**

**800-323-4656**