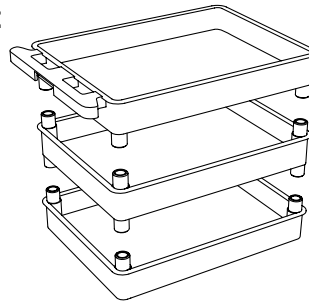


3 Shelf / Tub Cart Instructions

Parts List

Shelves may be flat or tub depending on the model purchased



A x1

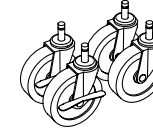
B x1

C x1

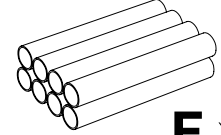
Tools Required

- Rubber Mallet

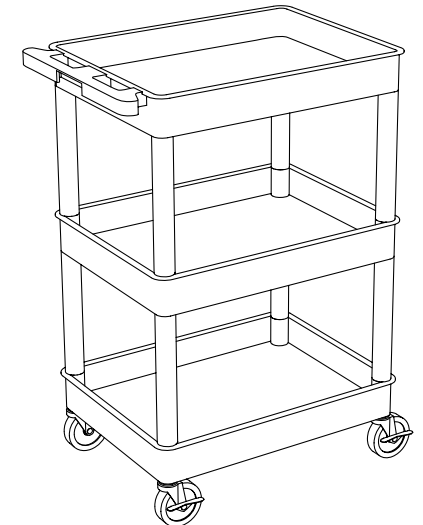
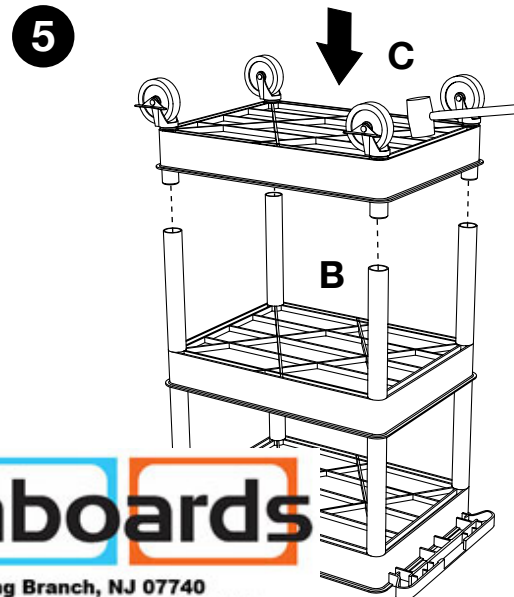
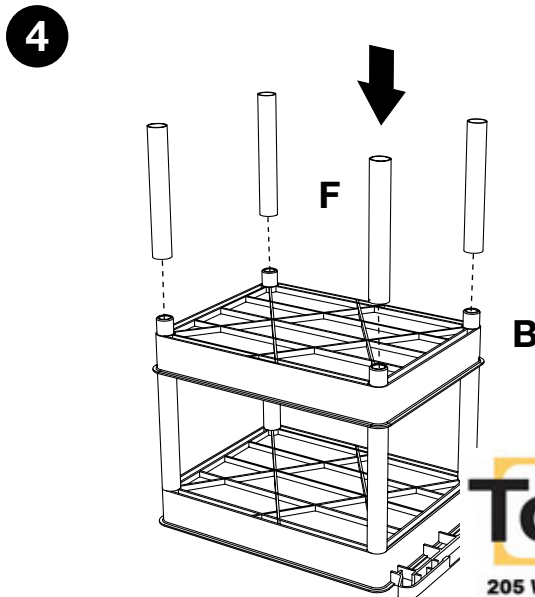
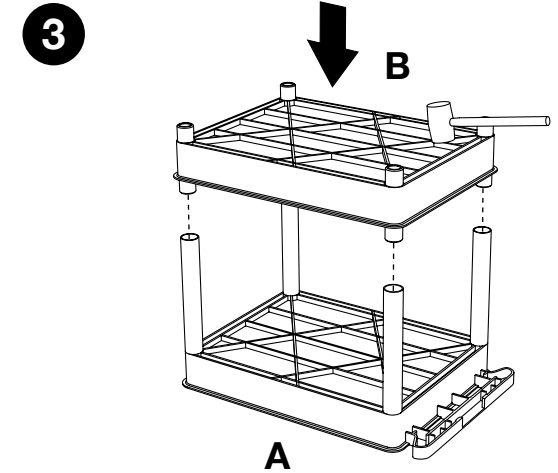
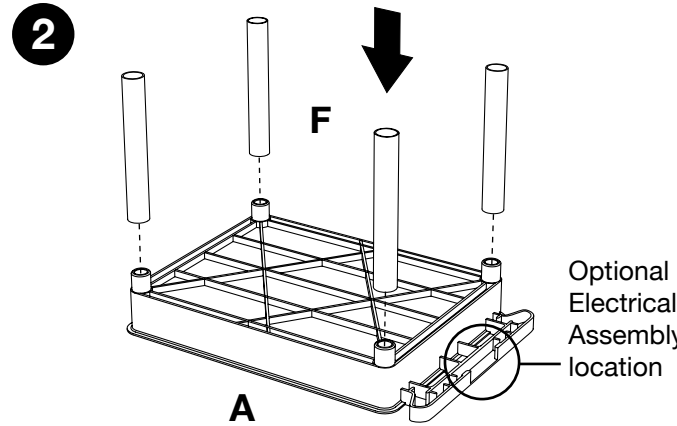
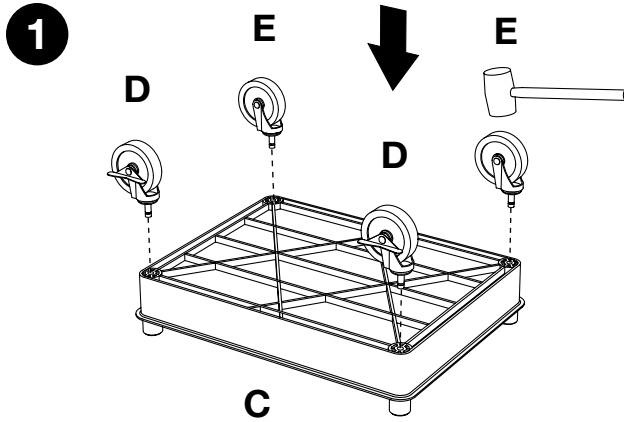
D x2



E x2



F x8



Touchboards

205 Westwood Ave, Long Branch, NJ 07740
Phone: 866-94 BOARDS (26273) / (732)-222-1511
Fax: (732)-222-7088 | E-mail: sales@touchboards.com