

SUT670P

Ultra Slim Tilting Wall Mount For 37" to 70" Displays



This ultra-slim, universal tilting wall mount holds the display one-inch (25mm) from the wall, giving a sleek, low-profile finish for today's ultra-thin flat panel displays. Designed specifically with the professional installer in mind, this mount offers a quick and easy, one-person installation. Attachment and detachment of the vertical adaptors with a safety clip and pull cord offers a secure and quick attachment to the wall plate, without the use of tools. Post-installation height adjustment, back tilt, and tilt lock at 0° offer maximum functionality.



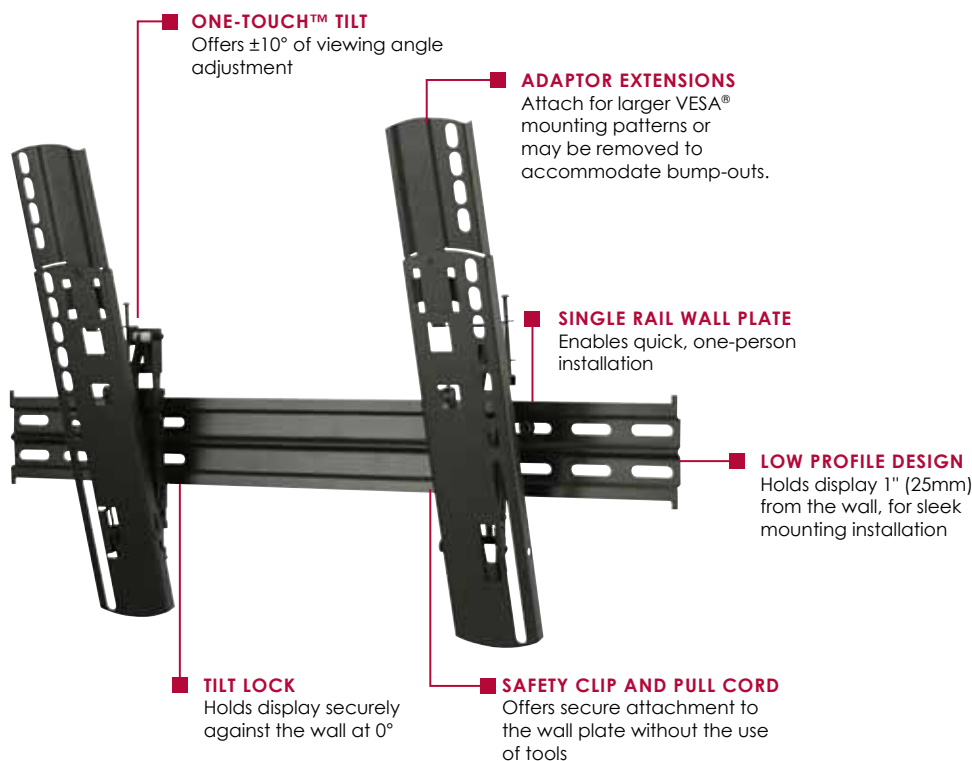
Display size: 37"-70"



Max load: 105lb (48kg)

FEATURES

- Fits 37" to 70" displays, up to 105lb (48kg)
- Holds displays only 1" (25mm) from the wall, creating a low-profile finish perfect for today's ultra-thin displays
- Quick and easy, Hook-and-Hang™ one-person installation
- Secure and quick attachment to the wall plate, without the use of tools
- Easy leveling after display installation
- ±10° of One-Touch™ tilt for smooth viewing angle adjustment
- Installation hardware included
- UL listed
- Five-year warranty



Touchboards

205 Westwood Ave, Long Branch, NJ 07740
Phone: 866-94 BOARDS (26273) / (732)-222-1511
Fax: (732)-222-7088 | E-mail: sales@touchboards.com



Low-profile design at 1" (25 mm) with tilt lock at 0°



Adaptor Extensions



Safety clip



Up to 1" (25mm) of vertical adjustment



CLICK: peerless-av.com

CALL: 800.865.2112

FAX: 800.359.6500

peerless-AV®

SUT670P: Ultra Slim Tilting Wall Mount for 37" to 70" Displays

Product Specifications

	DIMENSIONS (W x H x D)	PRODUCT WEIGHT	LOAD CAPACITY	FINISH	AVAILABLE COLORS
SUT670P	28.14" x 13.00"-17.05" x 1.00"-4.30" (715 x 330-411 x 25-109mm)	5.65lb (2.56kg)	105lb (48kg)	Matte	Black

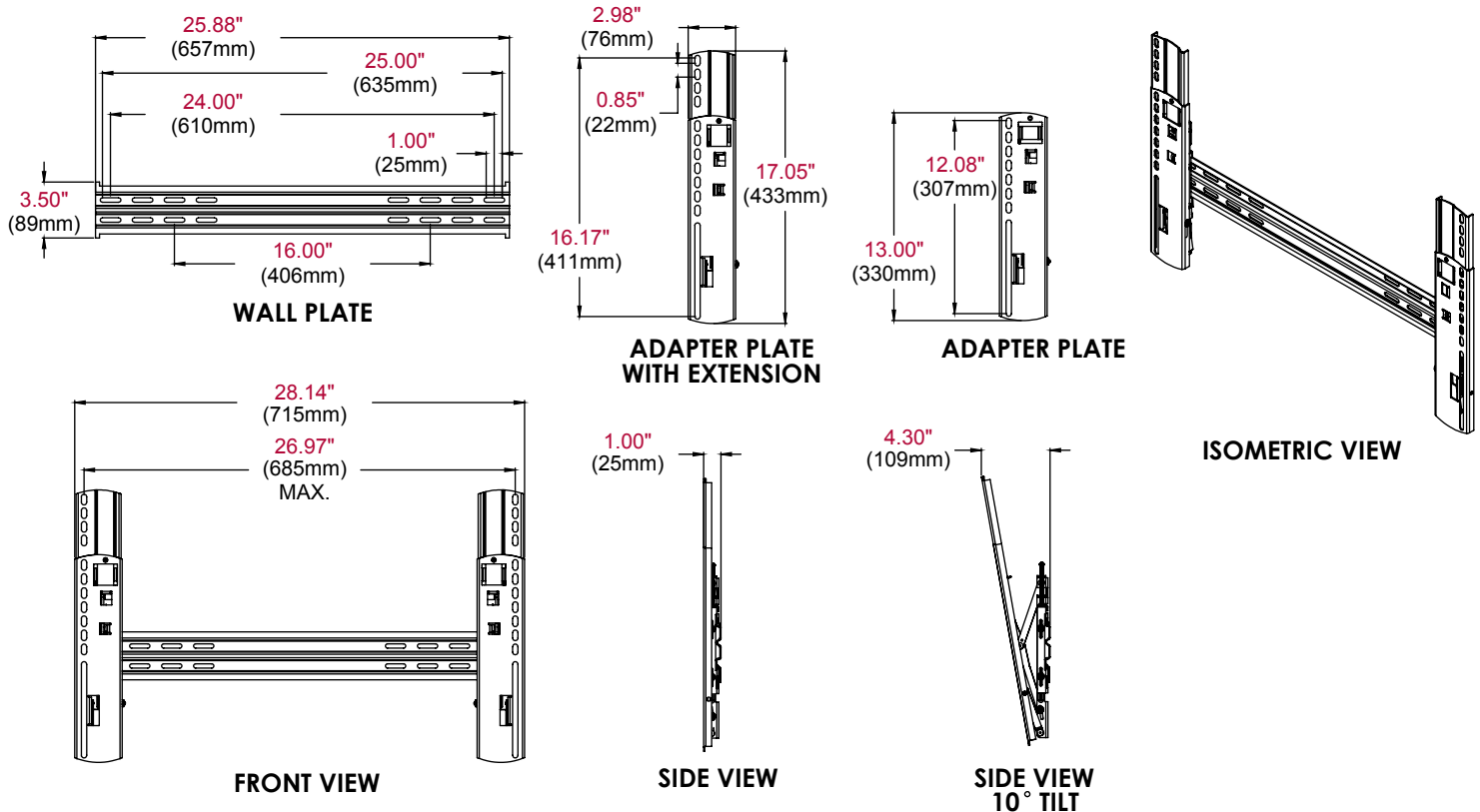
Package Specifications

	PACKAGE SIZE (W x H x D)	PACKAGE SHIP WEIGHT	PACKAGE UPC CODE	PACKAGE CONTENTS	UNITS IN PACKAGE
SUT670P	26.50" x 7.50" x 3.13" (673 x 191 x 79mm)	6.85lb (3.12kg)	735029294696	Wall Mount, Attachment Hardware and Installation Instructions	1

Accessories

ACC415:	2 pk. Metal Stud Fastener Kit	IBA2AC(-W):	In-Wall Box with 125V Duplex Power	ESHV10:	Single AV Wall Shelf
ACC615:	6 pk. Metal Stud Fastener Kit	IBA3AC(-W):	In-Wall Box with 125V Duplex Power	ESHV20:	Single AV Wall Shelf with Glass
IBA2(-W):	In-Wall Accessories Box	IBA4-W:	In-Wall Box with 125V Duplex Power	ESHV30:	Dual AV Wall Shelf with Glass
IBA3(-W):	In-Wall Accessories Box	IBA5-W:	In-Wall Box with 125V Duplex Power		

All dimensions = inch (mm)



ARCHITECTS SPECIFICATIONS

The Tilt Wall Mount shall be a Peerless-AV model SUT670P and shall be located where indicated on the plans. Assembly and installation shall be done according to instructions provided by the manufacturer.

Peerless Industries, Inc. ■ 2300 White Oak Circle ■ Aurora, IL 60502 ■ (800) 865-2112 ■ (630) 375-5100 ■ Fax: (800) 359-6500 ■ peerless-av.com

Visit peerless-av.com to see the complete line of AV solutions from Peerless-AV, including flat panel mounts, projector mounts, carts/stands, furniture, cables, screen cleaners and a full assortment of accessories.