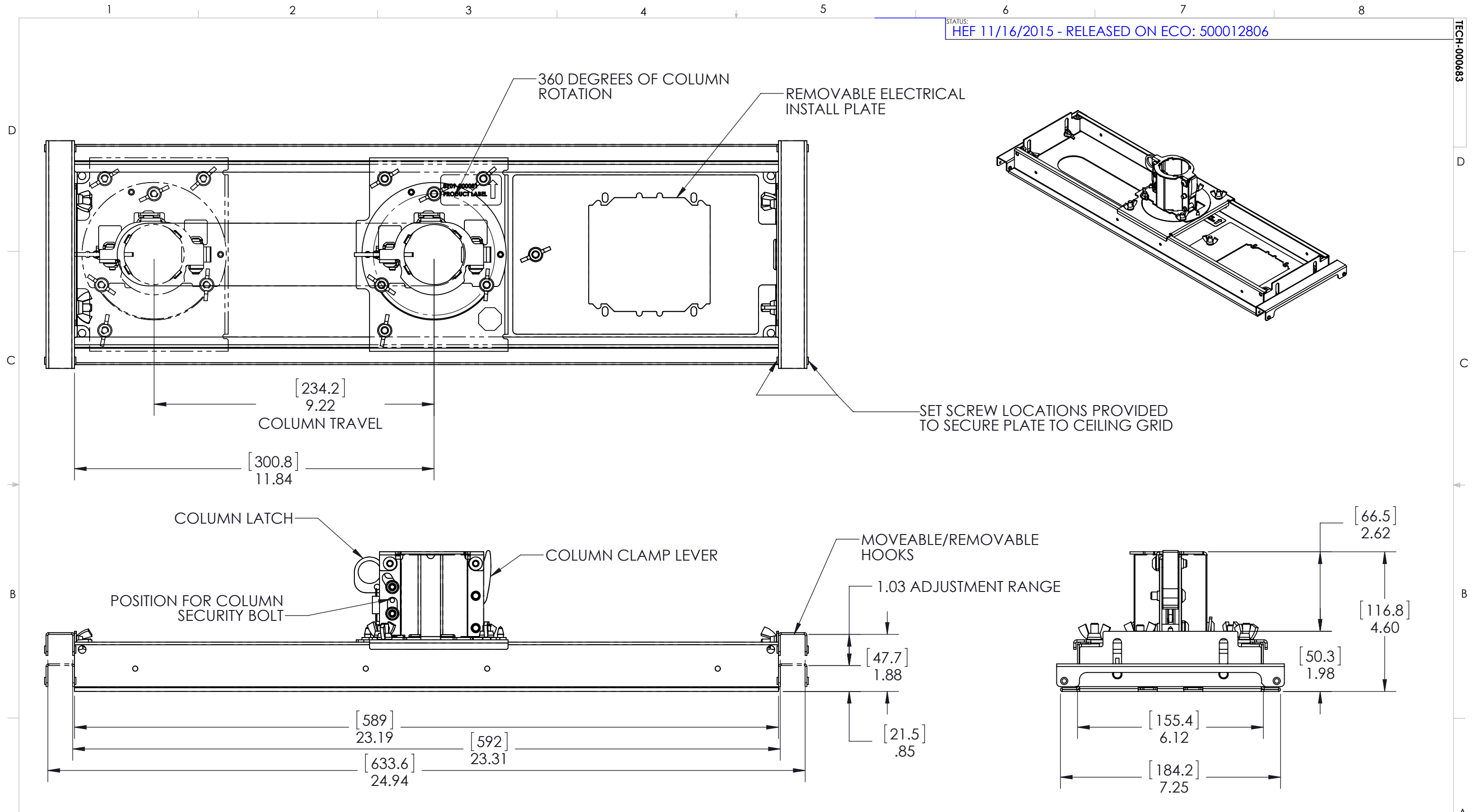


- NOTE:
1. THIS IS A 4 SHEET DRAWING
  2. SHEET 2 - CEILING PLATE
  3. SHEET 3 - PROJECTOR MOUNT AND COLUMN
  4. SHEET 4 - UNIVERSAL INTERFACE

THE INFORMATION AND DESIGNS CONTAINED IN THIS DRAWING ARE CONFIDENTIAL AND THE PROPRIETARY PROPERTY OF MILESTONE AV TECHNOLOGIES NEITHER THIS DESIGN NOR ANY INFORMATION CONTAINED IN THIS DRAWING MAY BE REPRODUCED OR DISCLOSED TO OTHERS WITHOUT THE EXPRESS WRITTEN CONSENT OF MILESTONE AV TECHNOLOGIES.

CAD GENERATED DRAWING, DO NOT MANUALLY UPDATE.			6436 CITY WEST PKWY EDEN PRAIRIE MN, 55344 PHONE: 866-977-3901 FAX: 877-894-6918	
DRAWN BY	HEF	4/8/2015		
ENG APPROVAL			DESCRIPTION <b>ASSEMBLED SYSTEM          SUSPENDED CEILING PROJECTOR          SYSTEM</b>	
MFG APPROVAL				
QA APPROVAL			MODEL NO.  SIZE DWG. NO. REV. <b>B TECH-000683 01</b>	
SHEET 1 OF 4				



THE INFORMATION AND DESIGNS CONTAINED IN THIS DRAWING ARE CONFIDENTIAL AND THE PROPRIETARY PROPERTY OF MILESTONE AV TECHNOLOGIES NEITHER THIS DESIGN NOR ANY INFORMATION CONTAINED IN THIS DRAWING MAY BE REPRODUCED OR DISCLOSED TO OTHERS WITHOUT THE EXPRESS WRITTEN CONSENT OF MILESTONE AV TECHNOLOGIES.

CAD GENERATED DRAWING, DO NOT MANUALLY UPDATE.			<b>CHIEF</b> 6436 CITY WEST PKWY EDEN PRAIRIE, MN, 55344 PHONE: 866-977-3901 FAX: 877-894-6918
DRAWN BY	HEF	4/8/2015	
ENG APPROVAL			DESCRIPTION <b>CEILING PLATE SUSPENDED CEILING PROJECTOR SYSTEM</b>
MFG APPROVAL			MODEL NO.
QA APPROVAL			SIZE DWG. NO. <b>B TECH-000683</b>
SHEET 2 OF 4		SCALE <b>1:3</b>	REV. <b>01</b>

±3° ROLL ADJUSTMENT

ROLL MICRO/MACRO ADJUST KNOB

ROLL MICRO ADJUST KNOB

PITCH MICRO ADJUST KNOB

±10° YAW ADJUSTMENT

±10° PITCH ADJUSTMENT

[176.6]  
6.95

PITCH MICRO/MACRO ADJUST KNOB

CABLE ROUTING TIE-OFF (4)

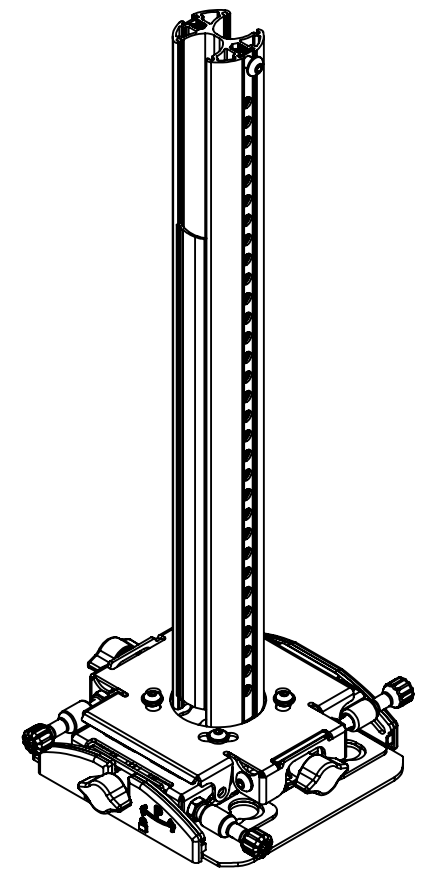
YAW MICRO/MACRO ADJUST KNOB

YAW MICRO ADJUST KNOB

[45.1]  
1.78

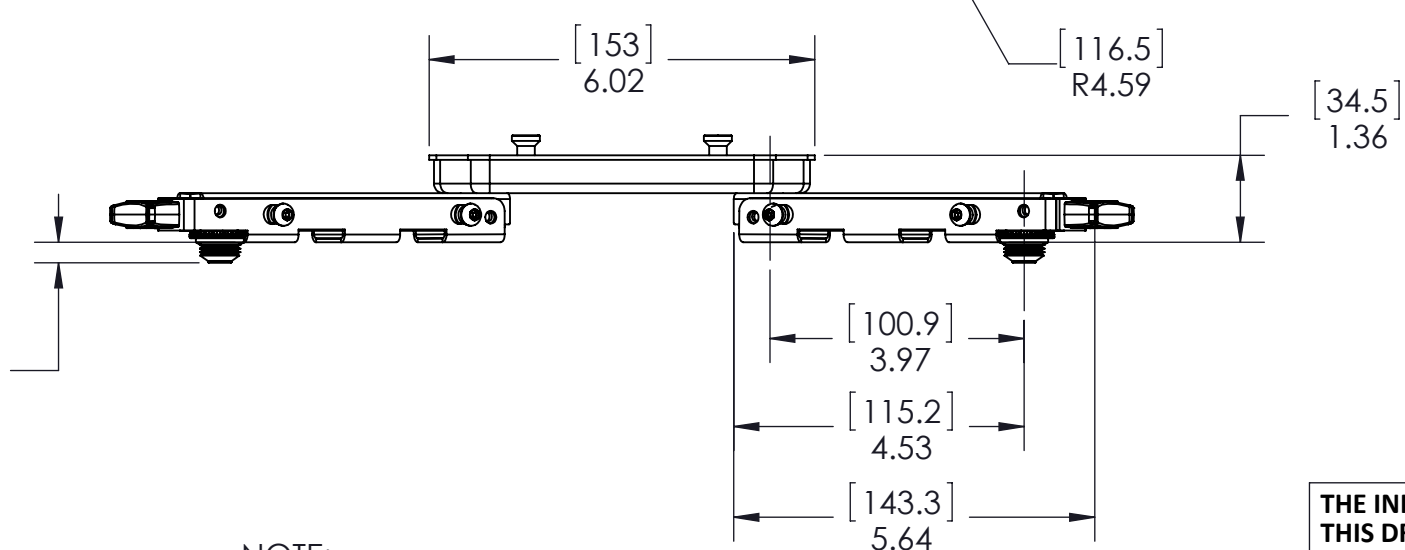
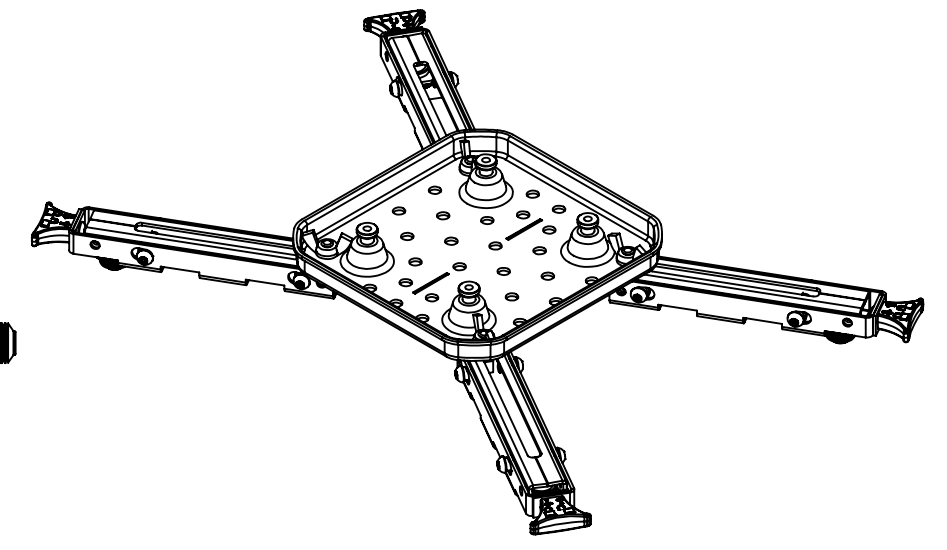
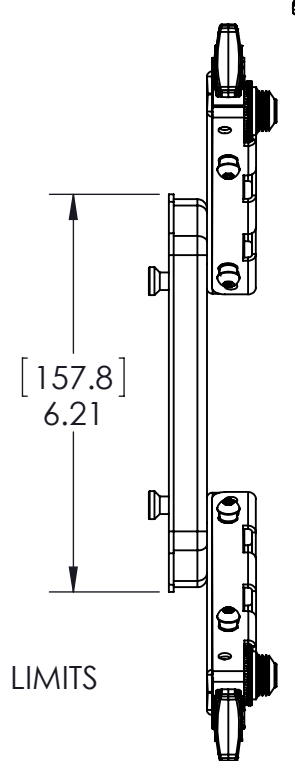
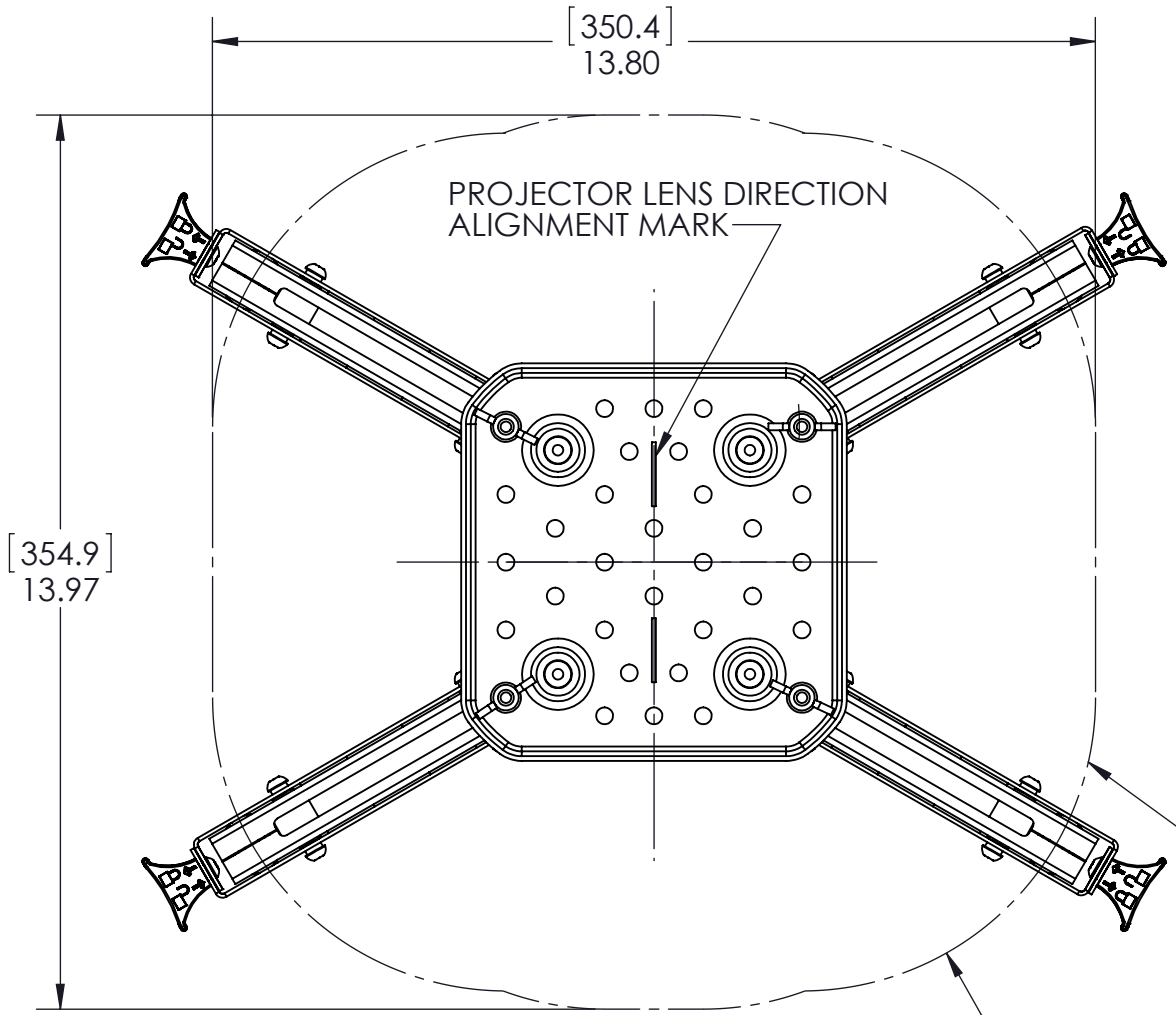
[177.8]  
7.00

DIMENSIONAL VIEWS OF MOUNT SHOWN WITHOUT COLUMN TO INCREASE CLARITY



THE INFORMATION AND DESIGNS CONTAINED IN THIS DRAWING ARE CONFIDENTIAL AND THE PROPRIETARY PROPERTY OF MILESTONE AV TECHNOLOGIES NEITHER THIS DESIGN NOR ANY INFORMATION CONTAINED IN THIS DRAWING MAY BE REPRODUCED OR DISCLOSED TO OTHERS WITHOUT THE EXPRESS WRITTEN CONSENT OF MILESTONE AV TECHNOLOGIES.

CAD GENERATED DRAWING, DO NOT MANUALLY UPDATE.				6436 CITY WEST PKWY EDEN PRAIRIE MN, 55344 PHONE: 866-977-3901 FAX: 877-894-6918	
DRAWN BY	HEF	4/8/2015		DESCRIPTION <b>PROJECTOR MOUNT AND COLUMN SUSPENDED CEILING PROJECTOR SYSTEM</b>	
ENG APPROVAL			MODEL NO.		
MFG APPROVAL					
QA APPROVAL					
SHEET 3 OF 4		SCALE 1:2	SIZE B	DWG. NO. TECH-000683	REV. 01



ADJUSTABLE FEET

- NOTE:
1. INTERFACE SHOWN ASSEMBLED, SHIPPED AS LOOSE PIECES
  2. FOUR LEGS SHOWN, A MINIMUM OF THREE LEGS MUST BE USED TO PROPERLY MOUNT THE PROJECTOR

**THE INFORMATION AND DESIGNS CONTAINED IN THIS DRAWING ARE CONFIDENTIAL AND THE PROPRIETARY PROPERTY OF MILESTONE AV TECHNOLOGIES NEITHER THIS DESIGN NOR ANY INFORMATION CONTAINED IN THIS DRAWING MAY BE REPRODUCED OR DISCLOSED TO OTHERS WITHOUT THE EXPRESS WRITTEN CONSENT OF MILESTONE AV TECHNOLOGIES.**

CAD GENERATED DRAWING, DO NOT MANUALLY UPDATE.				6436 CITY WEST PKWY EDEN PRAIRIE MN, 55344 PHONE: 866-977-3901 FAX: 877-894-6918	
DRAWN BY	HEF	4/8/2015		DESCRIPTION <b>UNIVERSAL INTERFACE SUSPENDED CEILING PROJECTOR SYSTEM</b>	
ENG APPROVAL			MODEL NO.		
MFG APPROVAL					
QA APPROVAL					
SHEET 4 OF 4		SCALE 1:3	SIZE B	DWG. NO. TECH-000683	REV. 01