



TechEduTM
 .com

205 Westwood Ave, Long Branch, NJ 07740
Phone: 1-888-883-2338 | (732)-222-1511
Fax: (732)-222-7088 E-mail: Sales@techedu.com

SAMSUNG

LCD DISPLAY

quick start guide

650TS

Introduction

Package Contents

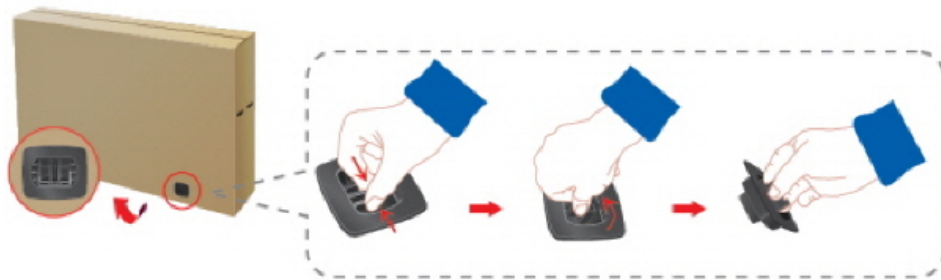


Please make sure the following items are included with your LCD Display.

If any items are missing, contact your dealer.

Contact a local dealer to buy optional items.

Checking the Contents of the Package



Remove the lock from the package box, as shown in the figure above.



Lift up the package box by holding the grooves on both sides of the package box.

Check the contents of the package.

Remove the Styrofoam and vinyl cover.



- After unpacking the package, make sure to check the contents of the package.
- Make sure to keep the package box for transporting the product in the future.
- After unpacking, you may use the lower part of the package box as a temporary stand for product test or operation check.

Unpacking



LCD Display

Manuals



Quick Setup Guide



Warranty Card
(Not available in all locations)



User's Guide, Samsung Interactive whiteboard

Cables



Power Cord



USB Cable



D-Sub Cable

Others



Remote Control
(BP59-00138A)



Batteries (AAA X 2)
(Not available in all locations)



Stylus pens (x3)

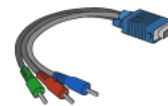
Sold separately



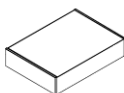
DVI Cable



D-Sub to BNC Cable



D-Sub to Component Cable



Wall Mount KIT



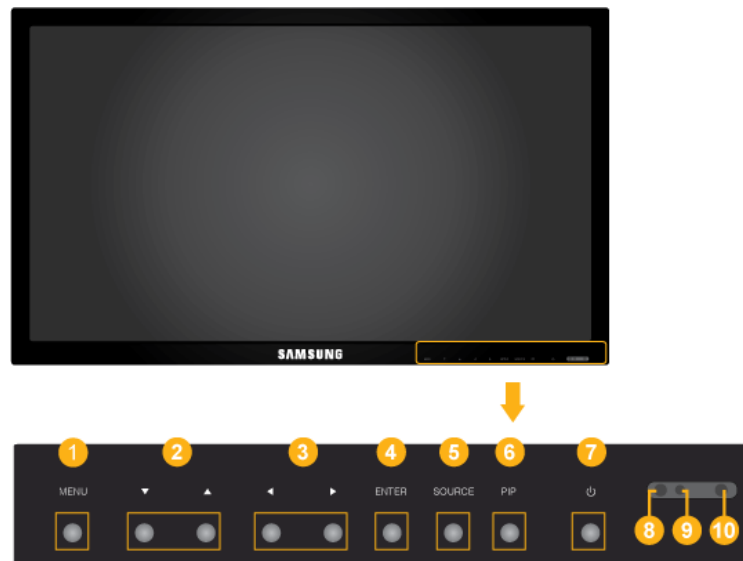
Semi Stand KIT



NetWork Box

Your LCD Display

Front



1 MENU button [MENU]

Opens the on-screen menu and exits from the menu. Also use to exit the OSD menu or return to the previous menu.

2 Navigate buttons (Up-Down buttons)

Moves from one menu item to another vertically or adjusts selected menu values.

3 Adjust buttons (Left-Right buttons) / Volume buttons

Moves from one menu item to another horizontally or adjusts selected menu values. When OSD is not on the screen, press the button to adjust volume.

4 ENTER button [ENTER]

Activates a highlighted menu item.

5 SOURCE button [SOURCE]

Switches from PC mode to Video mode. Selects the input source that an external device is connected to.

[PC] → [DVI] → [AV] → [**Component**] → [HDMI]

6 PIP button

Push the PIP button to turn the PIP screen On / Off.

- **PC : DVI / AV/ HDMI**
- **DVI : PC**
- **AV : PC**
- **HDMI : PC**

Note

When the PIP function is activated on the monitor, the touchscreen function may not work properly.

7 *Power button* [⏻]

Use this button for turning the LCD Display on and off.

8 *Brightness Sensor (Optional)*

Automatically detects the surrounding brightness.

 **Note**

This function is activated only on the models equipped with an auto brightness sensor.

9 *Power indicator*

Shows PowerSaver mode by blinking green

 **Note**

See PowerSaver described in the manual for further information regarding power saving functions. For energy conservation, turn your LCD Display OFF when it is not needed or when leaving it unattended for long periods.

10 *Remote Control Sensor*

Aim the remote control towards this spot on the LCD Display.

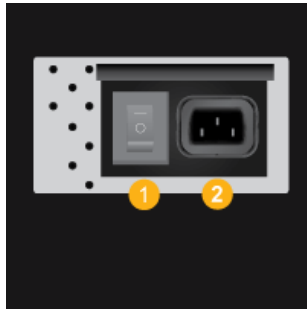
Rear

 **Note**

For detailed information concerning cable connections, refer to Connecting Cables under Setup. The LCD Display 's configuration at the back may vary slightly depending on the model.



A



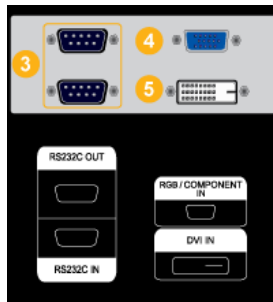
1 POWER SW ON [|] / OFF [O]

Switches the LCD Display On/Off.

2 POWER

The power cord plugs into the LCD Display and the wall outlet.

B



3 RS232C OUT/IN (RS232C Serial PORT)

MDC(Multiple Display Control) Program Port

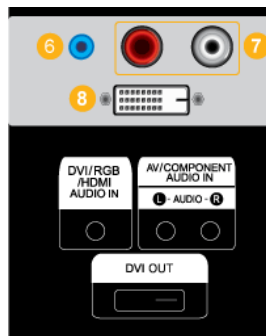
4 RGB/COMPONENT IN (PC/COMPONENT Connection Terminal (Input))

- Connect the [RGB/COMPONENT IN] port on the monitor to the RGB port on the PC using the D-SUB cable.
- Connect the [RGB/COMPONENT IN] port on the monitor to the COMPONENT port on the external device using the D-Sub to Component Cable.
- Connect the [RGB/COMPONENT IN] port on the monitor to the BNC port on the PC using the D-Sub to BNC Cable.

5 DVI IN (PC Video Connection Terminal)

Connect the [DVI IN] port on the monitor to the DVI port on the PC using the DVI cable.

C



6 DVI/RGB/HDMI AUDIO IN (PC/DVI/HDMI(PC) Audio Connection Terminal (Input))

7 AV/COMPONENT AUDIO IN [L- AUDIO- R]

Connect the port of the DVD, VCR (DVD / DTV Set-Top Box) to the [AV/COMPONENT AUDIO IN [L- AUDIO- R]] port of the LCD Display.

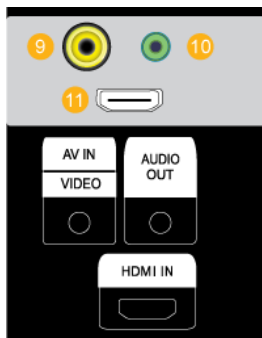
8 DVI OUT

- Connect a monitor to another monitor through a DVI cable.
- Connect the [DVI OUT] port on the monitor to the [HDMI IN] port on the other monitor using the DVI to HDMI cable.
- DVI, HDMI and network signals sent via the [DVI OUT] port are displayed on the second display which has the DVI IN port.

 **Note**

Up to 6 Full HD or 10 HD monitors can be connected (May differ depending on the product).

D



9 AV IN [VIDEO]

Connect the [AV IN [VIDEO]] terminal of your monitor to the video output terminal of the external device using a VIDEO cable.

10 AUDIO OUT

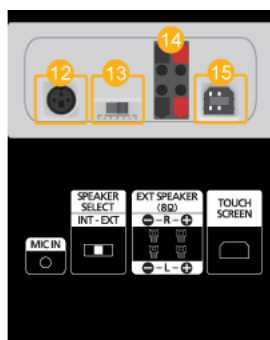
Headphone/External speaker output terminal.

11 HDMI IN

Connect the HDMI terminal at the back of your LCD Display to the HDMI terminal of your digital output device using a HDMI cable.

Up to HDMI cable 1.0 can be supported.

E



12 MIC IN

Use a wireless microphone by connecting a wireless microphone sensor unit to this port.

13 SPEAKER SELECT [INT - EXT]

Select between the internal and external speakers.

- INT - Select to use the internal speaker.
- EXT - Select to use a pair of external speakers.

**Note**

The external speakers are optional.

14 EXT SPEAKER(8 Ω)[- - L - +, - - R - +]
(Speaker ports)

15 TOUCH SCREEN

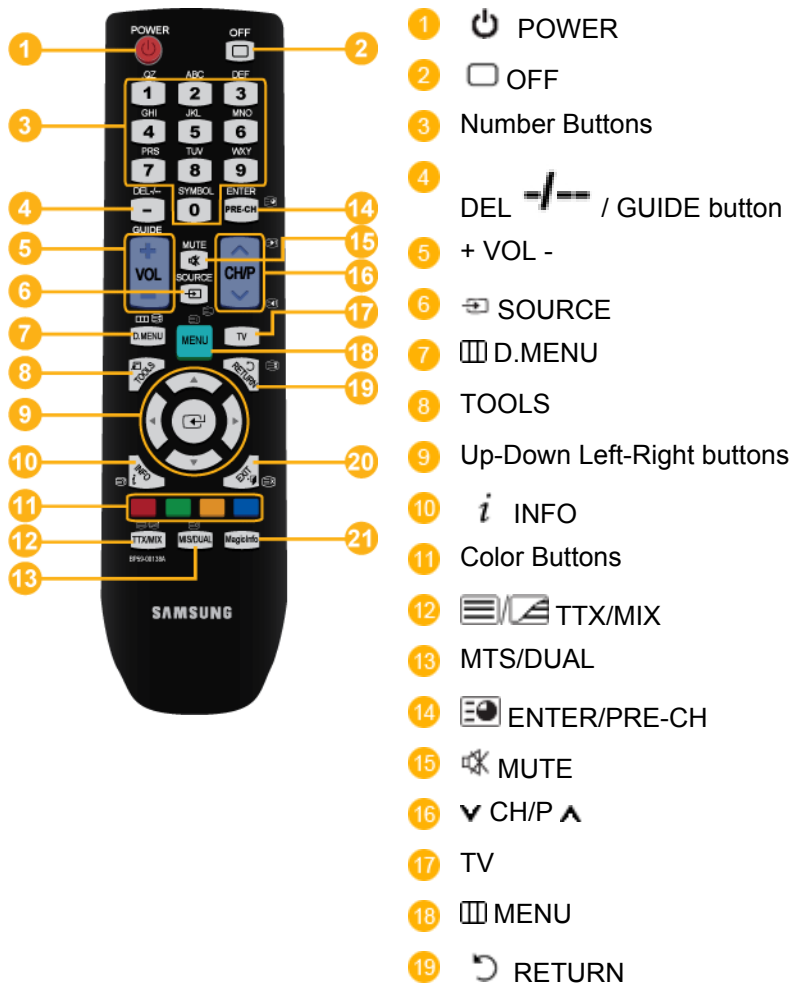
Connect to the PC using the USB cable in order to use the TOUCH function under PC mode.

**Note**

See Connecting Cables for further information regarding cable connections.




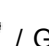

Remote Control**Note**


The performance of the remote control may be affected by a TV or other electronic device operating near the LCD Display , causing a malfunction due to interference with the frequency.




 EXIT


 MagicInfo


1.  POWER Turns the product On.
2.  OFF Turns the product Off.
3. Number Buttons Press to change the channel.
4. DEL  /  / GUIDE button
The "-" button is used to select Digital channels.
Electronic Program Guide (EPG) display.
- This function does not work for this LCD Display.
5. + VOL - Adjusts the audio volume.
6.  SOURCE Press the button to change the input signal SOURCE.

Changing the SOURCE is only allowed for external devices that are connected to the LCD Display at the time.
7.  D.MENU DTV menu display

- This function does not work for this LCD Display.
8. TOOLS Use to quickly select frequently used functions.

- This function does not work for this LCD Display.
9. Up-Down Left-Right buttons Moves from one menu item to another horizontally, vertically or adjusts selected menu values.
10.  INFO Current picture information is displayed on the upper left corner of the screen.
11. Color Buttons Press to add or delete channels and to store channels to the favorite channel list in the "Channel List" menu.

- This function does not work for this LCD Display.
12.  TTX/MIX TV channels provide written information services via teletext.

- Teletext Buttons


- This function does not work for this LCD Display.
13. MTS/DUAL - This function does not work for this LCD Display.

MTS-





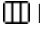


You can select MTS (Multichannel Television Stereo) mode.

	Audio Type	MTS/S_Mode	Default
FM Stereo	Mono	Mono	Manual Change
	Stereo	Mono ↔ Stereo	

SAP Mono ↔ SAP Mono

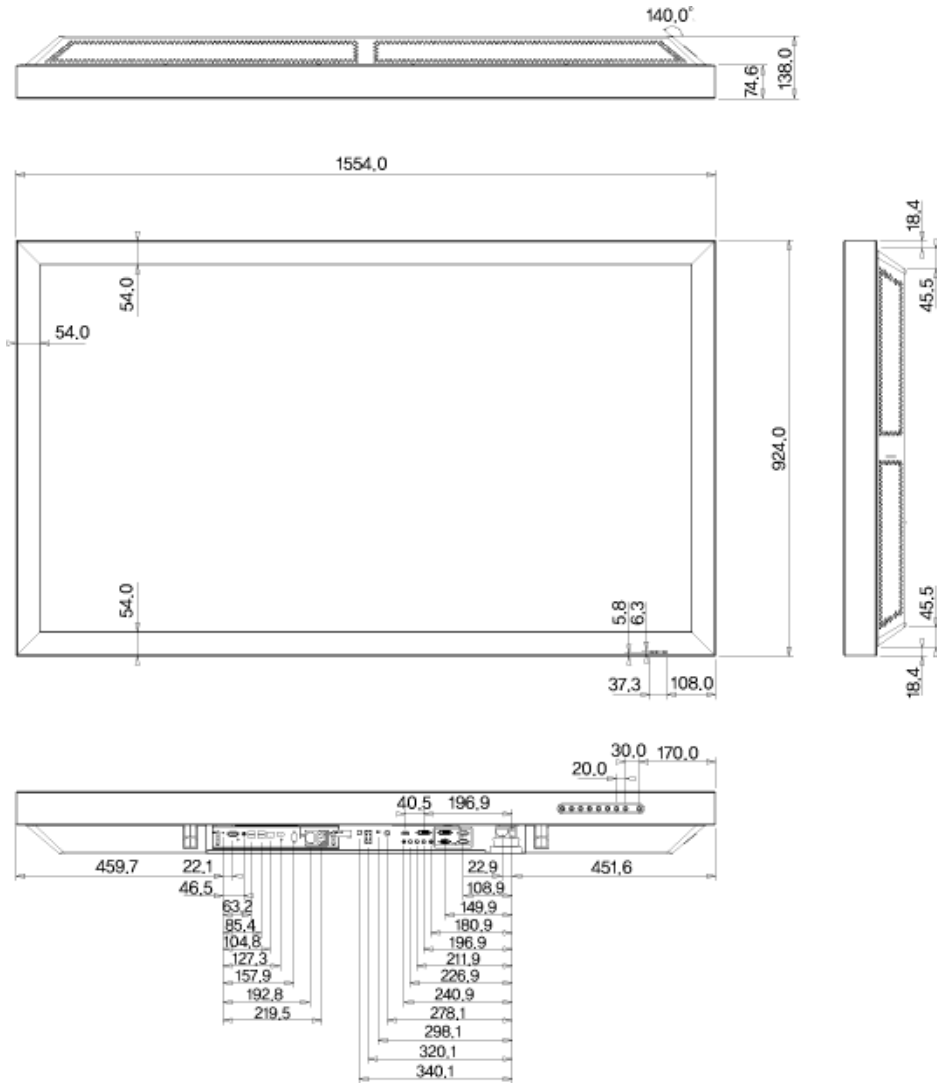
DUAL-

STEREO/MONO, DUAL I / DUAL II and MONO/NICAM MONO/NICAM STEREO can be operated depending on the broadcasting type by using the DUAL button on the remote control while watching TV.

- 14.  ENTER/PRE-CH This button is used to return to the immediately previous channel.
- This function does not work for this LCD Display.
- 15.  MUTE Pauses (mutes) the audio output temporarily. This is displayed on the lower left corner of the screen. The audio comes back on if MUTE or - VOL + is pressed in the Mute mode.
- 16.  CH/P  In **TV** mode, selects TV channels.
- This function does not work for this LCD Display.
- 17. TV Selects the TV mode directly.
- This function does not work for this LCD Display.
- 18.  MENU Opens the on-screen menu and exits from the menu or closes the adjustment menu.
- 19.  RETURN Returns to the previous menu.
- 20.  EXIT Exits from the menu screen.
- 21. MagicInfo MagicInfo Quick Launch Button.

Mechanical Layout

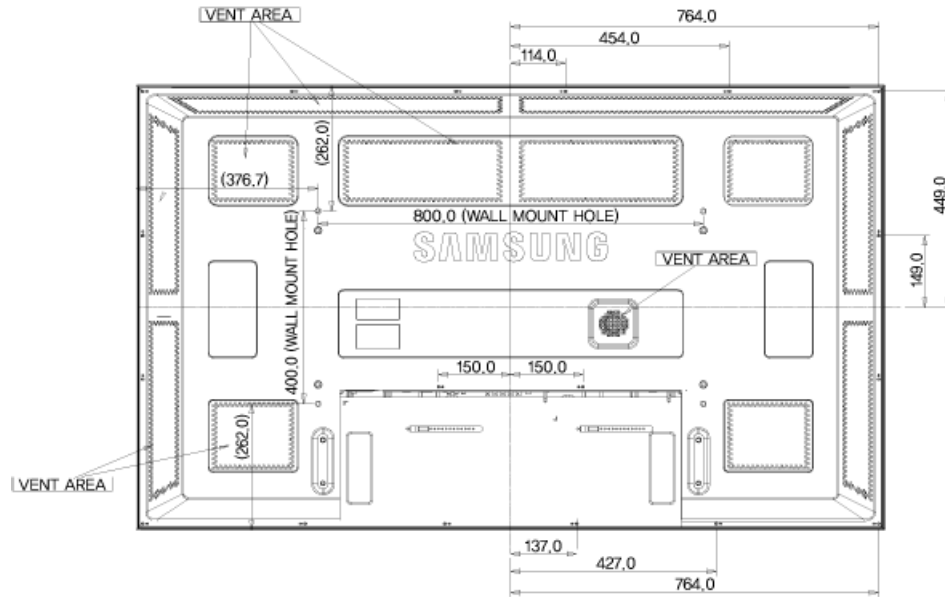
Mechanical Layout



Installation VESA Bracket

- When installing VESA, make sure to comply with the international VESA standards.
- Purchasing VESA Bracket and Installation Information : Please contact your nearest SAMSUNG Distributor to place an order. After your order is placed, installation professionals will visit you and install the bracket.
- At least 2 persons are needed in order to move the LCD Display.
- SAMSUNG is not responsible for any product damage or any injury caused by installation at customer's discretion.

Dimensions



Notice

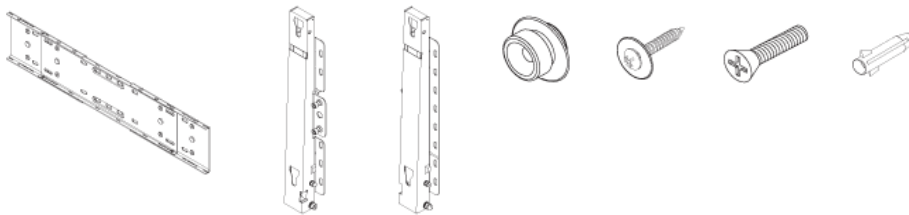
For securing the bracket on a wall, use only machine screws of 6 mm diameter and 8 to 12 mm length.

Wall Bracket Installation

- Contact a technician for installing the wall bracket.
- SAMSUNG Electronics is not responsible for any damages to the product or harm to customers when the installation is done by the customer.
- This product is for installing on cement walls. The product may not stay in place when installed on plaster or wood.

Components

Only use the components and accessories shipped with the product.



Wall Bracket(1)

Hinge(Left 1, Right
1) Plastic
Hanger
(4)

Screw
(A)(11)

Screw
(B)(4)

Anchor
(11)

Wall Bracket Assembly

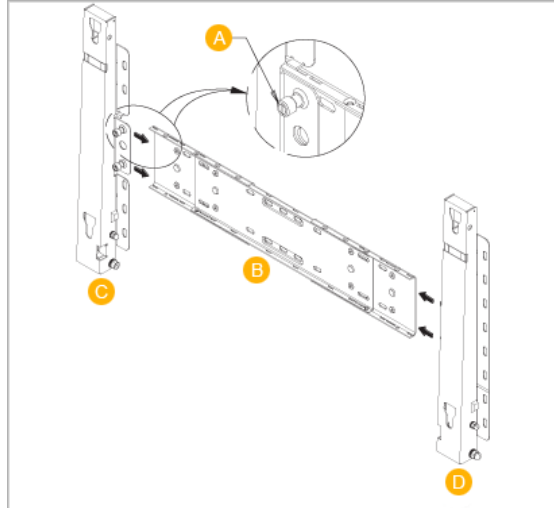


Note

There are two hinges(left and right). Use the correct one.

1. Insert and tighten the Captive Screw in the direction of the arrow.

When done, mount the wall bracket on the wall.

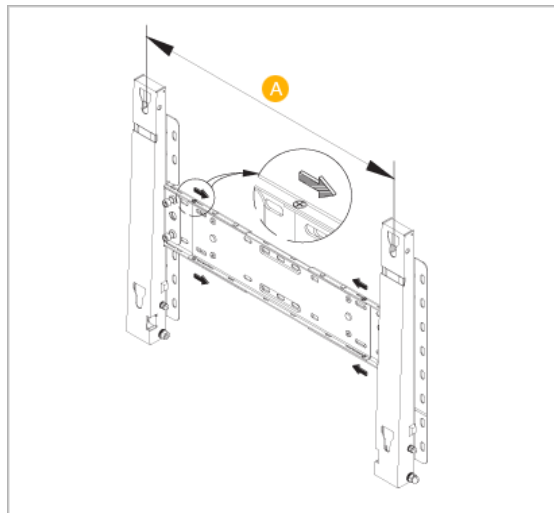


There are two hinges(left and right). Use the correct one.

- A - Captive Screw
- B - Wall Bracket
- C - Hinge (Left)
- D - Hinge (Right)

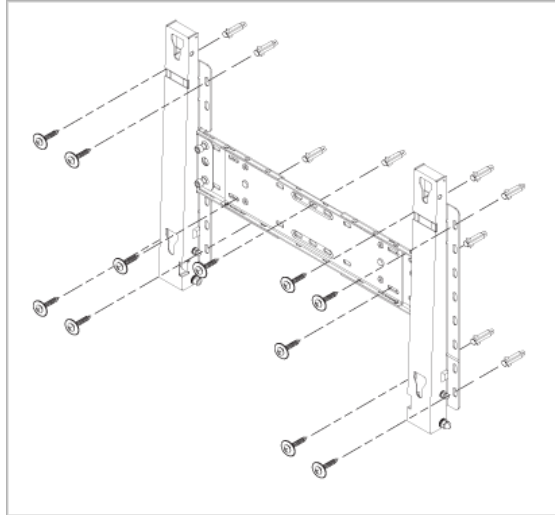
2. Before drilling into the wall, check if the length between the two locking holes at the back of the product is correct.

If the length is too short or long, loosen all or some of the 4screws on the wall bracket to adjust the length.



- A - Length between the two locking holes

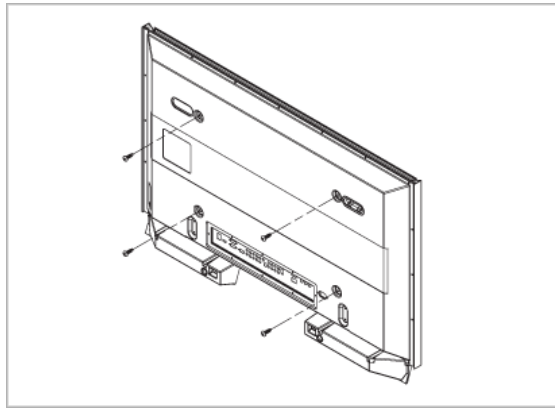
3. Check the installation diagram and mark the drill points on the wall. Use the 5.0 mm bit to drill holes deeper than 35 mm. Fix each anchor in the corresponding hole. Match each of the brackets and hinge holes to the corresponding anchor holes and insert and tighten the 11 screws A.
-



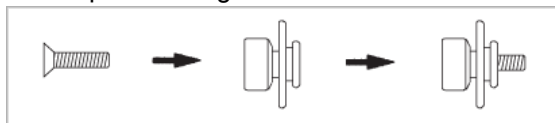
To mount the product on the wall bracket

The shape of the product may vary depending on the model. (The assemblies of the plastic hanger and the screw are the same)

1. Remove the 4 screws on the back of the product.

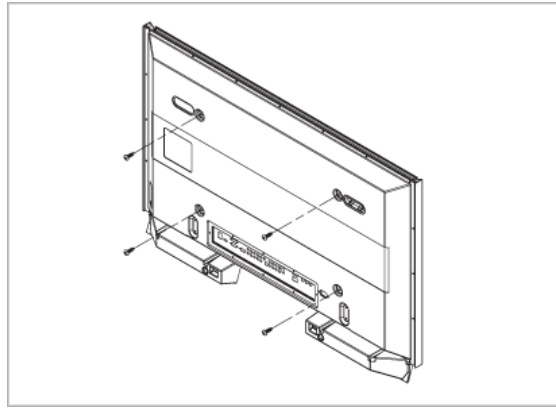


2. Insert the screw B into the plastic hanger.

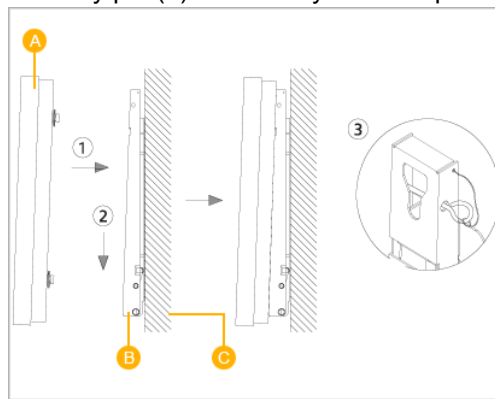


Notice

- Mount the product on the wall bracket and make sure it is properly fixed to the left and right plastic hangers.
 - Be careful when installing the product on the bracket as fingers can be caught in the holes.
 - Make sure the wall bracket is securely fixed to the wall, or the product may not stay in place after installation.
3. Tighten the 4 screws in step 2 (plastic hanger + screw B) to the rear holes of the product.



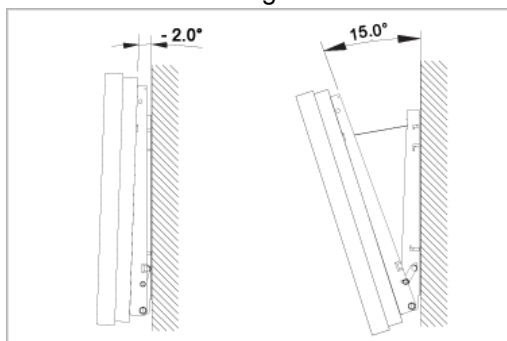
4. Remove safety pin (3) and insert the 4 product holders into the corresponding bracket holes (1). Then place the product(2) so that it is firmly fixed to the bracket. Make sure to re-insert and tighten the safety pin (3) to securely hold the product to the bracket.



- A - LCD Display
- B - Wall Bracket
- C - Wall

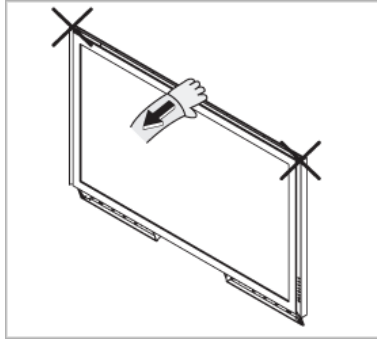
Wall Bracket Angle Adjustment

Adjust the bracket angle to -2° before installing it on the wall.



1. Fix the product to the wall bracket.
2. Hold the product at the top in the center and pull it forward (direction of the arrow) to adjust the angle.
3. You can adjust the bracket angle between -2° and 15° .

Introduction



Make sure to use the top center, and not the left or the right side of the product to adjust the angle.

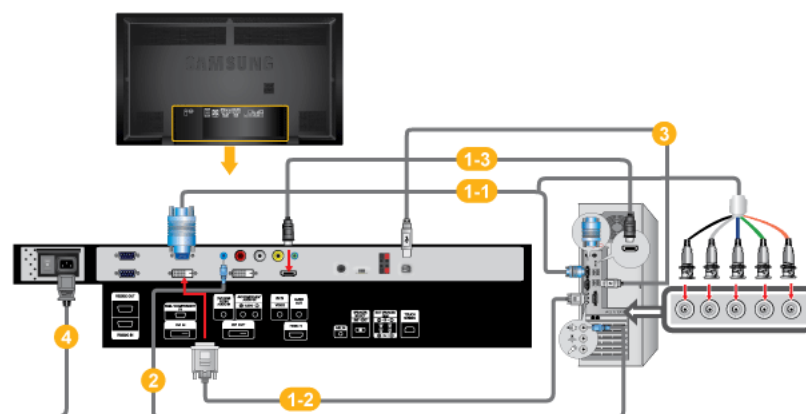
Connections

Connecting a Computer



Using a Power cord with Earth

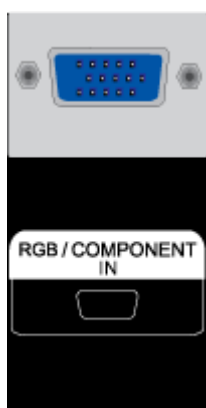
- In the event of failure, the earth lead may cause electric shock. Make sure to wire the earth lead in correctly, before connecting the AC power. When un-wiring the earth lead, make sure to disconnect the AC power in advance.
- AV input devices such as DVD players, VCRs or camcorders as well as your computer can be connected to the LCD Display. For detailed information on connecting AV input devices, refer to the contents under Adjusting Your LCD Display.
- The LCD Display 's configuration at the back may vary slightly depending on the LCD Display model.



- 1 There are several ways to connect the computer to the monitor. Choose one from the following options.

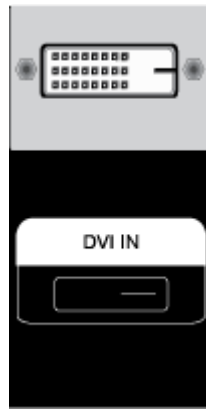
1-1 Using the D-sub (Analog) connector on the video card.

- Connect the D-sub to the 15-pin, [RGB/COMPONENT IN] port on the back of your LCD Display and the 15 pin D-sub Port on the computer.



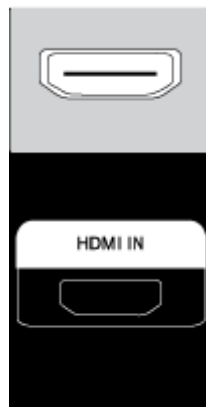
1-2 Using the DVI (Digital) connector on the video card.

- Connect the DVI Cable to the [DVI IN] port on the back of your LCD Display and the DVI port on the computer.
-



1-3 Using the HDMI (digital) output on the graphics card.

- Connect the [HDMI IN] port on the monitor to the HDMI port on the PC using the HDMI cable.



 **Note**

When the HDMI cable to the PC, ensure that you select **HDMI** from both the **Source List** and **Edit Name** before selecting **PC** or **DVI** device so that normal PC screen and sound can be outputted. Note that sound is only available when connected according to the option **2** that follows.

- 2** Connect the audio cable for your LCD Display to the audio port on the back of the LCD Display.
- 3** To use the touchscreen function while connected to your PC, connect a USB cable to the USB ports on the product and PC.
- 4** Connect the power cord for your LCD Display to the power port on the back of the LCD Display. Turn on the power switch.

 **Note**

- Turn on both your computer and the LCD Display.
 - Contact a local SAMSUNG Electronics Service Center to buy optional items.
-

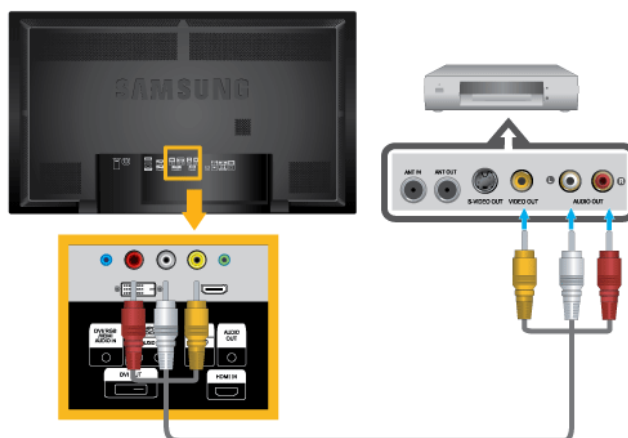
Connecting to Other devices



Using a Power cord with Earth

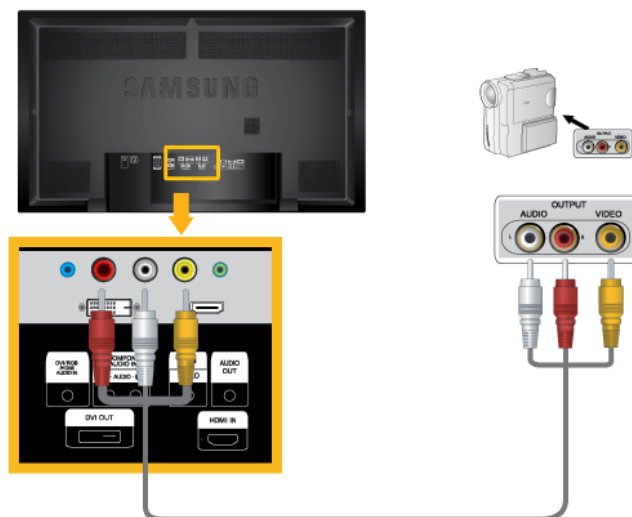
- In the event of failure, the earth lead may cause electric shock. Make sure to wire the earth lead in correctly, before connecting the AC power. When un-wiring the earth lead, make sure to disconnect the AC power in advance.
- AV input devices such as DVD players, VCRs or camcorders as well as your computer can be connected to the LCD Display. For detailed information on connecting AV input devices, refer to the contents under Adjusting Your LCD Display.
- The LCD Display 's configuration at the back may vary slightly depending on the LCD Display model.

Connecting AV Devices



1. Connect the Video and Audio [AV/COMPONENT AUDIO IN [L-AUDIO-R]] port of the DVD, VCR or DTV Set-Top Box to the Video and Audio [AV IN [VIDEO]]LCD Display.
2. Play the DVD, VCR or Camcorder with a DVD disc or tape inserted.
3. Select **AV** using the SOURCE button on the front of the LCD display or on the remote.

Connecting to a Camcorder

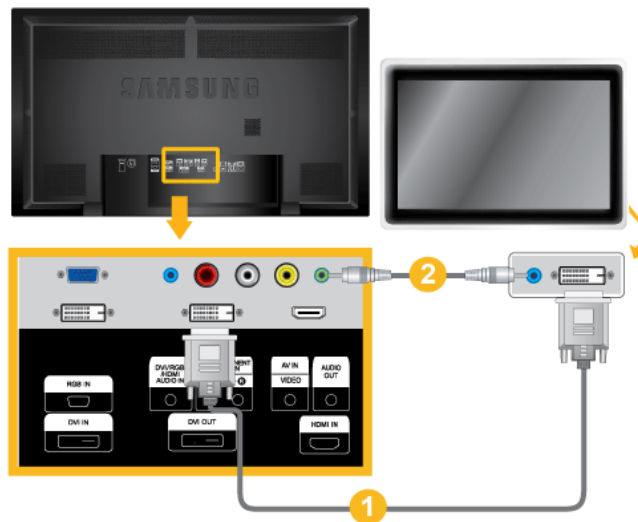


1. Locate the AV output jacks on the camcorder. They are usually found on the side or back of the camcorder. Connect a set of audio cables between the AUDIO OUTPUT jacks on the camcorder and the [AV/COMPONENT AUDIO IN [L-AUDIO-R]] on the LCD Display .
2. Connect a video cable between the VIDEO OUTPUT jack on the camcorder and the [AV IN [VIDEO]] on the LCD Display .
3. Select **AV** for the Camcorder connection using the SOURCE button on the front of the LCD Display or on the remote control.
4. Then, start the Camcorder with a tape inserted.

 **Note**

The audio-video cables shown here are usually included with a Camcorder. (If not, check your local electronics store.) If your camcorder is stereo, you need to connect a set of two cables.

Connecting Using a DVI Cable

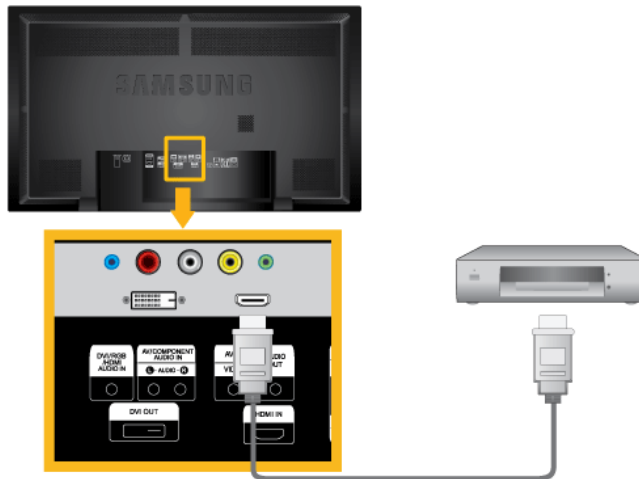


1. Connect between the [DVI OUT] port on the LCD Display and the input port on another monitor using a DVI cable.
2. Connect between the [AUDIO OUT] port on the LCD Display and the audio input port on another monitor using a stereo cable.
3. Select **DVI** using the SOURCE button on the front of the LCD Display or on the remote control.

 **Note**

DVI OUT does not support HDCP.

Connecting Using a HDMI Cable

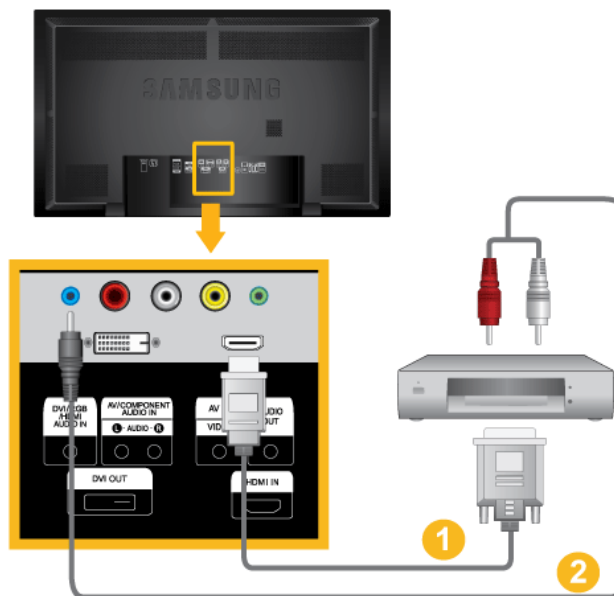


1. Connect input devices such as a Blu-Ray/DVD player to the [HDMI IN] terminal of the LCD Display using an HDMI cable.
2. Select HDMI using the SOURCE button on the front of the LCD Display or on the remote control.

 **Note**

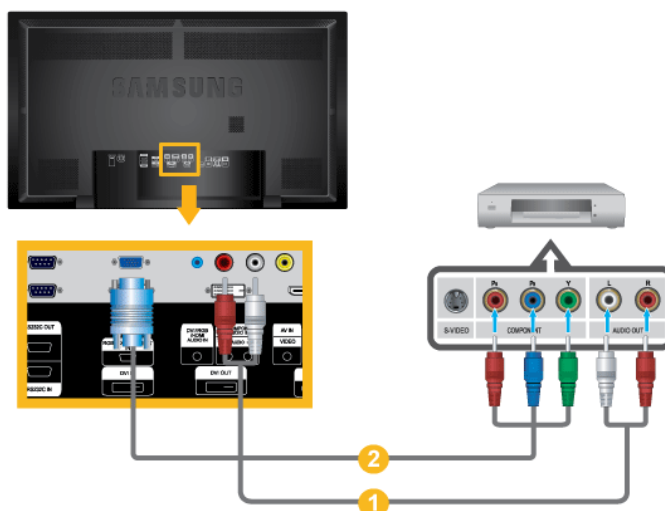
In **HDMI** mode, only PCM format audio is supported.

Connecting Using a DVI to HDMI Cable



1. Connect the DVI output terminal of a digital output device to the [HDMI IN] terminal of the LCD Display using a DVI to HDMI cable.
2. Connect the red and white jacks of an RCA to stereo (for PC) cable to the same colored audio output terminals of the digital output device, and connect the opposite jack to the [DVI / RGB / HDMI AUDIO IN] terminal of the LCD Display.
3. Select **HDMI** using the SOURCE button on the front of the LCD Display or on the remote control.

Connecting a DVD Player

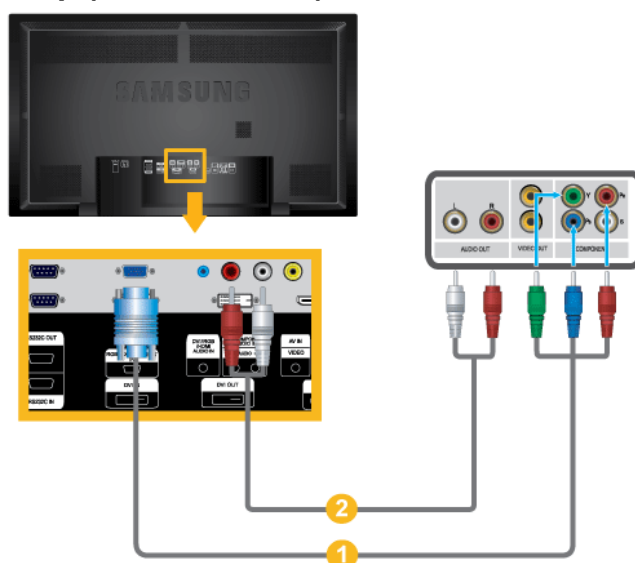


1. Connect a set of audio cables between the [AV/COMPONENT AUDIO IN [L-AUDIO-R]] on the LCD Display and the AUDIO OUT jacks on the DVD player.
2. Connect the D-Sub to Component cable to the [RGB/COMPONENT IN] ports on the monitor.

Note

- Select **Component** for the connection to a DVD player using the SOURCE button on the front of the LCD Display or on the remote control.
- Then, start the DVD Player with a DVD disc inserted.
- The D-Sub to Component cable is optional.
- For an explanation of Component video, consult your DVD manual.

Connecting a DTV Set Top (Cable/Satellite) Box

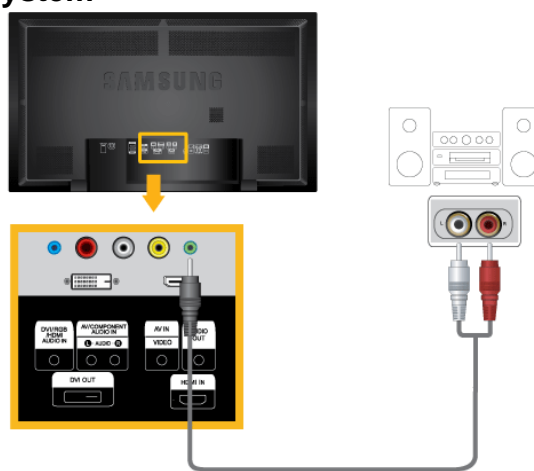


1. Connect the [RGB/COMPONENT IN] ports on the monitor to the P_R, Y, P_B ports on the set-top box using the D-Sub to Component cable.
2. Connect a set of audio cables between the [AV COMPONENT AUDIO IN [L-AUDIO-R]] on the LCD Display and the AUDIO OUT jacks on the Set Top Box.

 **Note**

- Select **Component** using the SOURCE button on the front of the LCD Display or on the remote control.
- For an explanation of Component video, see your Set Top Box owner's manual.

Connecting to an Audio System



1. Connect a set of audio cables between the AUX L, R jacks on the AUDIO SYSTEM and [AUDIO OUT] on LCD Display.

Connecting a wireless microphone



1. Connect a wireless microphone sensor unit to [MIC IN] on the monitor.

 **Note**

To use a wireless microphone, **Wireless MIC** must be set to **On** in the **Sound** menu.

Troubleshooting

Self-Test Feature Check



Check the following items yourself before calling for assistance. Contact a Service Center for problems that you cannot solve by yourself.

Self-Test Feature Check

1. Turn off both your computer and the LCD Display.
2. Unplug the video cable from the back of the computer.
3. Turn on the LCD Display.

The figure shown below ("**Check Signal Cable**") appears on a black background when the LCD Display is working normally even though no video signal is detected: While in the Self-Test mode, the LED power indicator remains green and the figure moves around on the screen.

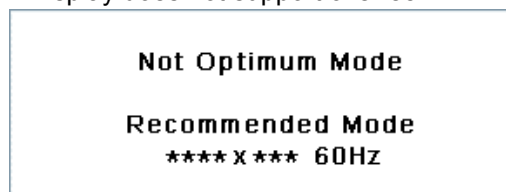


4. Turn off your LCD Display and reconnect the video cable; then turn on both your computer and the LCD Display

If your LCD Display screen remains blank after using the previous procedure, check your video controller and computer system; your LCD Display is functioning properly.

Warning Messages

You can even view the screen at a resolution of 1920 x 1080. However, you will receive the following message for a minute; You can choose to change the screen resolution or stay in the current mode during that time. If the resolution is more than 85Hz, you will see the black screen because the LCD Display does not support over 85Hz.



Refer to Specifications > Preset Timing Modes for the resolutions or frequencies supported by the LCD Display.

Maintenance and Cleaning

- 1) Maintaining the LCD Display Case.

Clean with a soft cloth after disconnecting the power cord.



- Do not use benzene, thinner or other flammable substances.

2) Maintaining the Flat Panel Display Screen.

Clean with a soft cloth (cotton flannel).



- Never use acetone, benzene or thinner.
(They may cause flaws or deformation of the screen surface.)
- The user is responsible for any damage caused by using these substances.

Symptoms and Recommended Actions

Note

A LCD Display recreates visual signals received from the computer. Therefore, if there is a problem with the computer or the video card, this can cause the LCD Display to become blank, have poor coloring, become noisy, etc. In this case, first check the source of the problem, and then contact a Service Center or your dealer.

1. Check if the power cord and the video cables are properly connected to the computer.
2. Check if the computer beeps more than 3 times when booting.
(If it does, request service.)
3. If you installed a new video card or if you assembled the PC, check if you installed the Adaptor(video).
4. Check if the scanning ratio of the video screen is set to between 56 Hz ~ 85 Hz.
(Do not exceed 60Hz when using the maximum resolution.)
5. If you have problems in installing the Adaptor (video) driver, boot the computer in Safe Mode, remove the Display Adaptor in the "Control Panel -> System -> Device Administrator" and then reboot the computer to reinstall the Adaptor (video) driver.

Check List

Note

- The following table lists possible problems and their solutions. Before calling for assistance, check the information in this section to see if you can remedy any problems for yourself. If you do need assistance, please call the phone number on the Information section or contact your dealer.

Problems related to the Installation (PC Mode)

Note

Problems related to the LCD Display installation and their solutions are listed.

Q: The LCD Display screen flickers.

A: Check if the signal cable between the computer and the LCD Display is securely connected.

(Refer to Connecting a Computer)

Problems related to the Screen



Note

Problems related to the LCD Display screen and their solutions are listed.

Q: The screen is blank and the power indicator is off.

A: Ensure that the power cord is firmly connected and the LCD Display is on.

(Refer to the Connecting a Computer)

Q: "**Check Signal Cable**" message.

A: Ensure that the signal cable is firmly connected to the PC or video sources.

(Refer to the Connecting a Computer)

A: Ensure that the PC or video sources are turned on.

Q: "**Not Optimum Mode**" message.

A: Check the maximum resolution and the frequency of the video Adaptor.

A: Compare these values with the data in the Preset Timing Modes Chart.

Q: The picture rolls vertically.

A: Check if the signal cable is securely connected. Re-connect it, if necessary.

(Refer to Connecting a Computer)

Q: The image is not clear; picture is blurred.

A: Run Frequency **Coarse** and **Fine** tuning.

A: Turn on again after removing all accessories (video extension cable, etc.)

A: Set the resolution and frequency to the recommended ranges.

Q: The picture image is unstable and shakes.

A: Check if the resolution and frequency set for the computer video card falls in the range supported by the LCD Display. If not, reset them referring to the current Information under the LCD Display menu and Preset Timing Modes.

Q: Ghost images are shown in the picture.

A: Check if the resolution and frequency set for the computer video card falls in the range supported by the LCD Display. If not, reset them referring to the current Information under the LCD Display menu and Preset Timing Modes.

Q: The image is too light or too dark.

A: Adjust the **brightness** and **contrast**.

(Refer to the **Brightness, Contrast**)

- Q: The screen color is inconsistent.
- A: Adjust color using **Custom** under OSD Color Adjustment menu.
- Q: The color image is distorted by dark shadows.
- A: Adjust color using **Custom** under OSD Color Adjustment menu.
- Q: The color white is poor.
- A: Adjust color using **Custom** under OSD Color Adjustment menu.
- Q: The Power Indicator blinks.
- A: The LCD Display is currently saving the changes made in the settings to the OSD memory.
- Q: The screen is blank and the power indicator light blinks every 0.5 or 1 seconds.
- A: The LCD Display is using its power management system. Press any key on the keyboard.
- Q: The screen is blank and it is blinking.
- A: If you see the "**TEST GOOD**" message on the screen when you pressing the MENU button, check the cable connection between the LCD Display and the computer to ensure that the connector is properly connected.

Problems related to stylus

- Q: My stylus pen is missing.
- A: The stylus pen can be purchased at the nearest Service Center.
- The product code is BN96-12546A.

Problems related to Audio



Note

Problems related to audio signals and their solutions are listed below.

- Q: No sound.
- A: Ensure that the audio cable is firmly connected to both the audio-in port on your LCD Display and the audio-out port on your sound card.
- (Refer to the Connecting a Computer)
- A: Check the volume level.
- Q: The sound level is too low.
- A: Check the volume level.
- A: If the volume is still too low after turning the control to its maximum, check the volume control on the computer sound card or software program.
- Q: The sound is too high or too low.
- A: Adjusts the **Treble** and **Bass** to the appropriate levels.
-

Problems related to the Remote Control

 **Note**

Problems related to the remote control and their solutions are listed.

Q: The remote control buttons do not respond.

A: Check the polarities (+/-) of the batteries.

A: Check if the batteries are empty.

A: Check if the power is on.

A: Check if the power cord is securely connected.

A: Check if a special fluorescent or neon lamp is on in the vicinity.

Q & A

Q: How can I change the frequency?

A: The frequency can be changed by reconfiguring the video card.

 **Note**

That video card support can vary, depending on the version of the driver used. (Refer to the computer or the video card manual for details.)

Q: How can I adjust the resolution?

A: Windows XP:

Set the resolution in the Control Panel → Appearance and Themes → Display → Settings.

A: Windows ME/2000:

Set the resolution in the Control Panel → Display → Settings.

* Contact the video card manufacturer for details.

Q: How can I set the Power Saving function?

A: Windows XP:

Set the resolution in the Control Panel → Appearance and Themes → Display → Screen Saver.

Set the function in the BIOS-SETUP of the computer. (Refer to the Windows / Computer Manual).

A: Windows ME/2000:

Set the resolution at the Control Panel → Display → Screen Saver.

Set the function in the BIOS-SETUP of the computer. (Refer to the Windows / Computer Manual).

Q: How can I clean the outer case/LCD Panel?

A: Disconnect the power cord and then clean the LCD Display with a soft cloth, using either a cleaning solution or plain water.

Do not leave any detergent or scratches on the case. Do not let any water enter the LCD Display.

Q: How can I play the video?

A: The video supports the MPEG1 and WMV codecs only. Install the corresponding codec to play the video. Note that some of the codecs can be incompatible.



Before calling for assistance, check the information in this section to see if you can remedy any problems yourself. If you do need assistance, please call the phone number on the Information section or contact your dealer.