

## MAINTENANCE RECORD

Lift Model Number \_\_\_\_\_

Lift Serial Number \_\_\_\_\_

Service Performed:

Action	Date
--------	------

Action	Date
--------	------

Action	Date
--------	------

Action	Date
--------	------

Action	Date
--------	------

Action	Date
--------	------

Action	Date
--------	------

Action	Date
--------	------

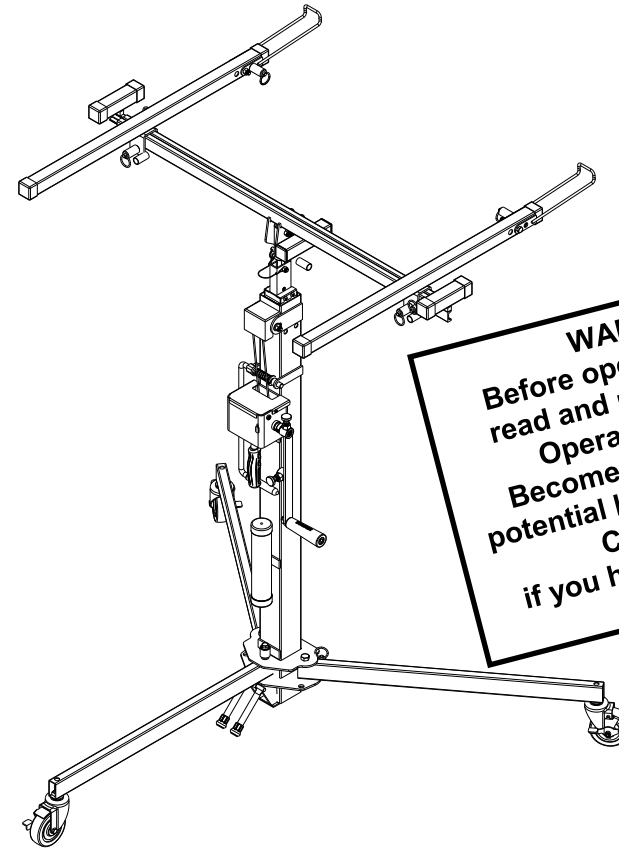
Action	Date
--------	------

Action	Date
--------	------

Action	Date
--------	------

Action	Date
--------	------

Action	Date
--------	------



**WARNING!**  
 Before operating this lift,  
 read and understand this  
 Operator's Manual.  
 Become familiar with the  
 potential hazards of this unit.  
 Call SUMNER  
 if you have any questions.



**USA**  
 7514 Alabonson Rd.  
 Houston, TX 77088  
 p: 281-999-6900  
 f: 281-999-6966

**CANADA**  
 75 Saltsman Drive, Unit 5  
 Cambridge, Ontario N3H 4R7  
 p: 519-653-5300  
 f: 519-653-5305

**NETHERLANDS**  
 Midden Engweg 21NL-3882TS  
 Putten Netherlands  
 europeansales.com  
 p: + 31 (0) 85 489 0284

**UK**  
 Unit 3 Kempton Road Keytec 7  
 Business Park Pershore,  
 Worcestershire WR 10 2TA, UK  
 p: + 44 (0) 1386 556278  
 f: + 44 (0) 1386 556776

**Index**

Owner's Responsibilities..... 2  
 Operator Safety Instructions..... 3  
     Operating Procedure ..... 5-10  
     Moving Lift to Work Area ..... 6  
     Moving Lift with Load ..... 6  
     Lifting and Lowering Loads ..... 7  
     Attaching Cross Arms ..... 8  
     Extending Load Rails..... 8  
     Load Support Hooks ..... 9  
     Steering Handle ..... 9  
     Back Up Brake ..... 10  
     Storing and Transporting Lift..... 10  
 Specifications ..... 11  
 Lift Diagram ..... 12  
 Maintenance Instructions..... 13-14  
 Troubleshooting ..... 15  
 Maintenance Record..... 16

**OWNER'S RESPONSIBILITIES**

Throughout this publication, the words **WARNING**, **CAUTION** and **IMPORTANT** will be used to alert the user to special instructions concerning a particular operation that may be hazardous if performed incorrectly or carelessly.

**OBSERVE THEM CAREFULLY !!**

**WARNING**



Hazards or unsafe practices which could result in severe personal injury or death.

**CAUTION**



Hazards or unsafe practices which could result in minor personal injury, product or property damage.

**IMPORTANT**



Indicates information or instructions that are necessary for proper operation and/or maintenance.

**TROUBLESHOOTING**

PROBLEM	CAUSE	SOLUTION
<b>Masts not rising in succession</b>	Overloading Check to make sure that the load does not exceed the 150 lb/70 kilo load limit.	Remove excess weight.
	Load may not be centered properly on the cradle.	Check load capacity and reposition load.
	Slide pads obstructed. Inspect tracks for debris, grease, or any foreign obstruction.	Clean mast sections with a degreaser or brake cleaner and lubricate with a silicon lubricant.
	Inspect Lifting cable for damage.	If Lifting cable is cut, worn or frayed, replace the cable.
	Slide pads are clean but masts still not sliding freely.	Inspect mast sections for damage. Replace damaged mast section.
<b>Load is easing down slowly</b>	The brake on the winch or ratchet dog are not installed correctly.	Tighten lock nut on winch shaft down completely, then back off one half turn.
<b>You have checked the winch and the brake does not work at all.</b>	The brake ratchet or ratchet dog are not installed correctly or are damaged and/or worn.	Replace the worn or damaged components.
<b>The winch is hard to crank down.</b>	The brake is over-engaged	Remove the load and turn the winch handle counter clockwise.
	The brake will not disengage	Replace the worn or damaged components.
<b>If none of these solutions seem to fix the problem...</b>		Call distributor's Customer Service Department.
<b>NOTE: Mast sections may rise out of succession when load is near maximum capacity. If this occurs, the masts will correct themselves during continued use or when the load is removed from the cradle. Movement of the mast sections will not affect the position of the load.</b>		

## General Maintenance:

1. Check the winch handle for wear or bends.
2. Examine all bolts and nuts to be sure they are tight.
3. Legs, cross arms, rails, load hooks, masts and base should be dent free and damage free.
4. Check damage (indentations) which can restrict the movement of the mast sections.
5. Check legs by rotating them into each position to check locking mechanism.
6. Inspect masts and hold-down device.
7. Raise mast sections to inspect for free, smooth sliding action. Make sure slide pads are free of dust and debris and spray a light coat of silicone lubrication on slide pads.
8. Make sure caster wheels rotate freely and are undamaged.
9. Check to be sure that all mast covers are attached to the lift.

### WARNING



**Replace all worn or damaged parts only with Sumner parts.**

### WARNING



**Modifying the lift in any way can cause injury or death!**

## OPERATOR SAFETY INSTRUCTIONS



### IMPORTANT

Read and understand Operators Manual before using Lift.



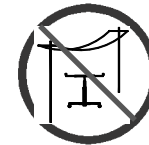
Inspect cable before each use. Do not use if cable is frayed, worn, cut, burnt or otherwise damaged.



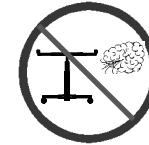
Use only on solid level surface. Keep work area clean and clear of clutter and debris.



Test load balance before lifting. Do not use without properly locking legs. **Never exceed rated load capacity. Never lift more than one sheet of drywall at a time.**



Stay clear of overhead wires and obstructions.



Never operate in gusty winds. Lifting loads during high winds can result in the lift tipping over and the possibility of operator injury.



Do not stand under an elevated load.



Never leave lift unattended with an elevated load.



Do not use to lift personnel. Do not sit or stand on lift.



Do not climb on mast or put a side load on mast. Do not use unit to support ladders for climbing or hoisting.



Do not use unit outside in thunder, lightning, or severe weather.



Wear proper clothing. Hard hat, safety shoes and gloves should be worn as a precaution when operating this lift.

Avoid horseplay around equipment, and keep bystanders at a safe distance. Do not allow children to operate this unit and always keep them out of work areas.

Do not misuse the lift. Perform only the functions for which the lift was designed.

Never use two lifts in tandem to lift a load that exceeds the capacity of a single lift.

Prior to each use of the unit, inspect all moving parts and the lifting cable to ensure they are in proper working condition.

## MAINTENANCE INSTRUCTIONS

### Before each use:

1. Inspect the lifting cable for frays, cuts or burns. If any damage is visible on the lifting cable, do not use the lift.
2. Make certain winch operates freely and lifting cable is not tangled on the winch drum.
3. Check cradle assembly, legs, masts and base for bends.
4. Make sure caster wheels move freely.

### Recommended Inspection Every 6 Months:

1. Inspect the lifting cable for frays, cuts or burns. If any damage is visible on the lifting cable, do not use the lift.
2. Make certain winch works freely and that there are no loose or damaged parts.

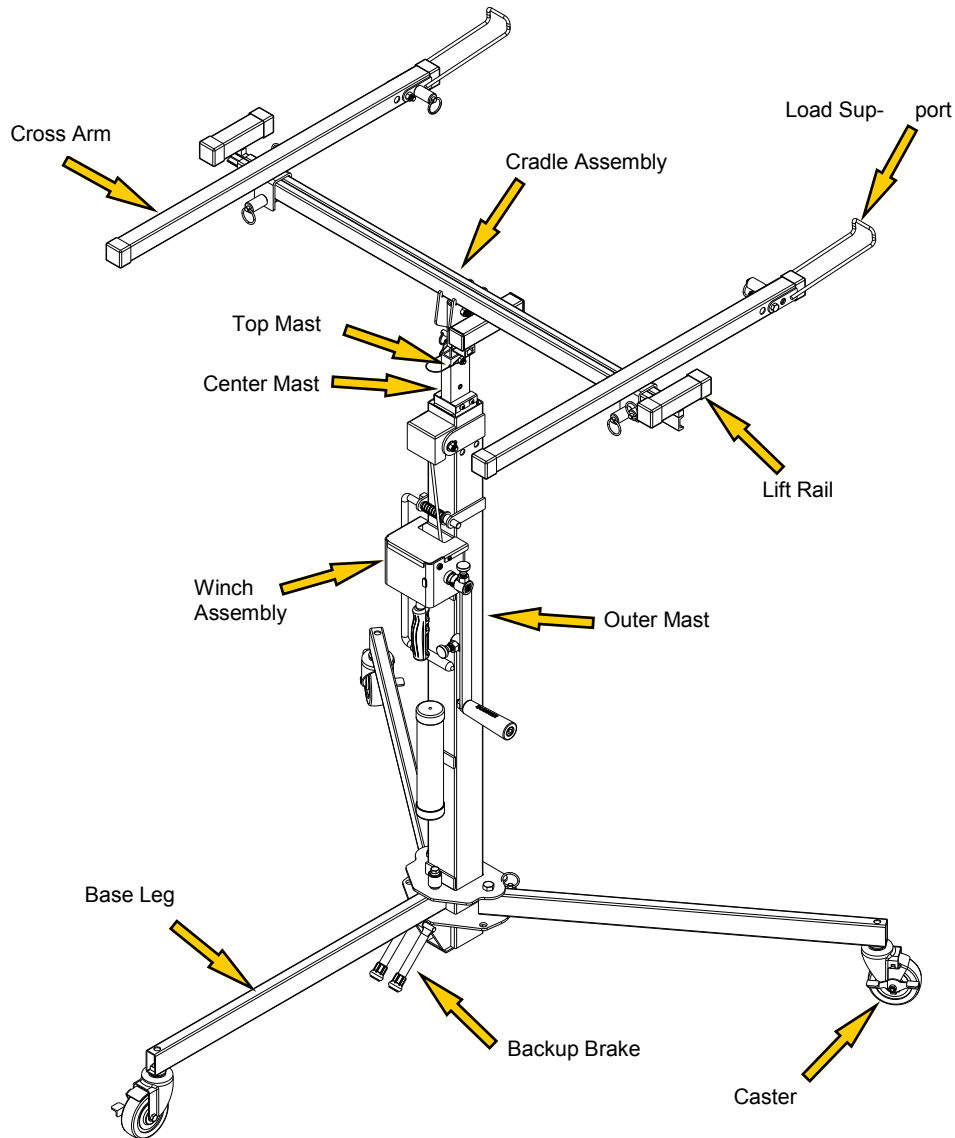
### Winch Maintenance:

1. Be sure that the winch cover is on the winch.
2. Check ratchet dogs and brake ratchet for wear. If any wear is visible, replace the components. If not, lubricate both parts with a light oil.
3. For proper brake adjustment see "Troubleshooting" section on page 15.

### Replacing the Lifting Cable:

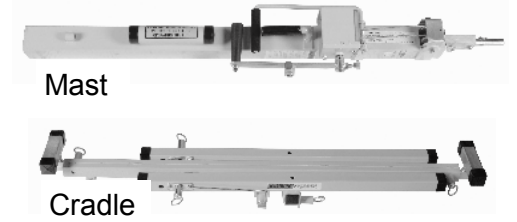
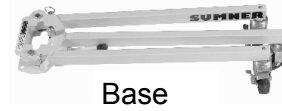
1. Lower the masts to engage the safety latch.
2. Remove the large gear cover from the winch.
3. Disconnect the cable from the winch drum. **Make note of the direction the cables are wrapped around the drum.**
4. Remove the cradle assembly from on top of the lift.
5. Remove the mast assembly and lay it down flat on a work surface.
6. Extend the center mast up until the six allen head screws are exposed.
7. Remove the six allen head screws.
8. Slide the center and upper mast out the bottom of the outer mast.
9. Re-reeve the new cable through the lift using the existing cable as a guide..
10. Attach cable to winch drum making sure cable are wrapped in proper direction. **Note: The cable must be wrapped in the direction noted in step 3.**
11. Wind the slack cable tightly and evenly across the load drum.
12. Replace the center and upper mast sections into the outer mast.
13. Replace the six allen head screws.
14. Replace the winch cover.

## LIFT DIAGRAM



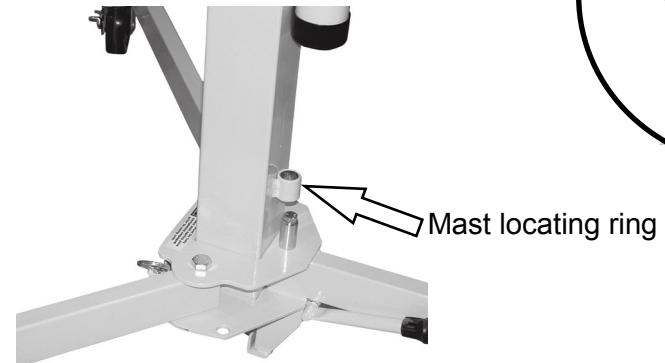
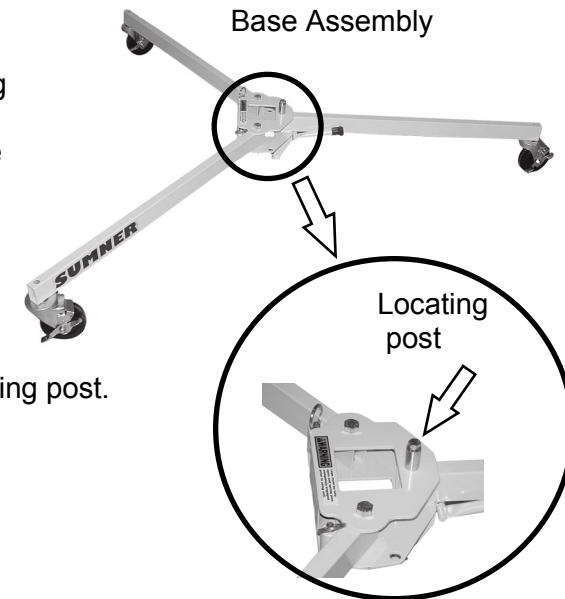
## OPERATING PROCEDURE

### 1. Assembling Drywall Lift

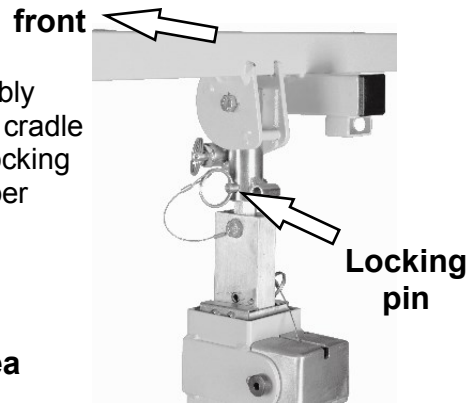


Your 2300 series Drywall lift will arrive in three sections, the Base, the Mast and the Cradle. Complete assembly will take less than five minutes.

To assemble your lift, first open the legs on the base assembly to their operating position. Make sure the spring loaded plungers are fully engaged and the legs are locked securely into position. Next, place the mast assembly firmly into the base. Make sure the mast locating ring is firmly seated onto the base locating post.



Finally, place the cradle assembly onto the mast. Ensure that the cradle is locked to the mast with the locking pin and that it is facing the proper direction.



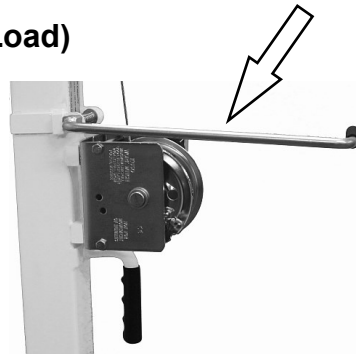
## 2. Moving Lift to Work Area (No Load)

The lift is normally moved to the job site by rolling on its 4" casters using the steering handle. **Note: Do not pull by the load lifting cable.**

Steering handle

## 3. Moving Lift in Work Area (With Load)

Although it is best to move the unit to the job site unloaded, light loads may be transported as long as the unit is rolled on the casters on a level surface. Always have the load in the lowest possible position before moving the unit.



If it is necessary to move the unit with an elevated load:

- Make sure the area is clear of obstructions
- Keep personnel away from the load and behind the operator's position
- Move the unit slowly, avoiding sudden jerky starts and stops
- Make sure the load is secure and properly balanced

### CAUTION



If a load is being transported, it should be secured to the cradle to avoid shifting.

### WARNING



Moving the unit with elevated loads should be contained to short distances; i.e., 10-15 feet/4-5 meters.

## SPECIFICATIONS

	2311		2315	
<b>Dimensions</b>				
Height Operating	63"	160 cm	75"	190.5 cm
Length Operating	52"	132 cm	52"	132 cm
Base Width	55"	139.7 cm	55"	139.7 cm
Ground Clearance	1.5"	3.8 cm	1.5"	3.8 cm
Load Height (minimum)	34"	86 cm	48"	122 cm
Load Height (maximum)	11' 2-3/4"	3.4 m	14' 9-3/4"	4.5 m
<b>Weight</b>				
Net Weight	99 lb	45 kg	99 lb	45 kg
<b>Load Capacity</b>				
Load Capacity (13" L.C.)	150 lb	70 kg	150 lb	70 kg
<b>Number of Cables</b>	1		1	

### Drywall Cradle Specifications

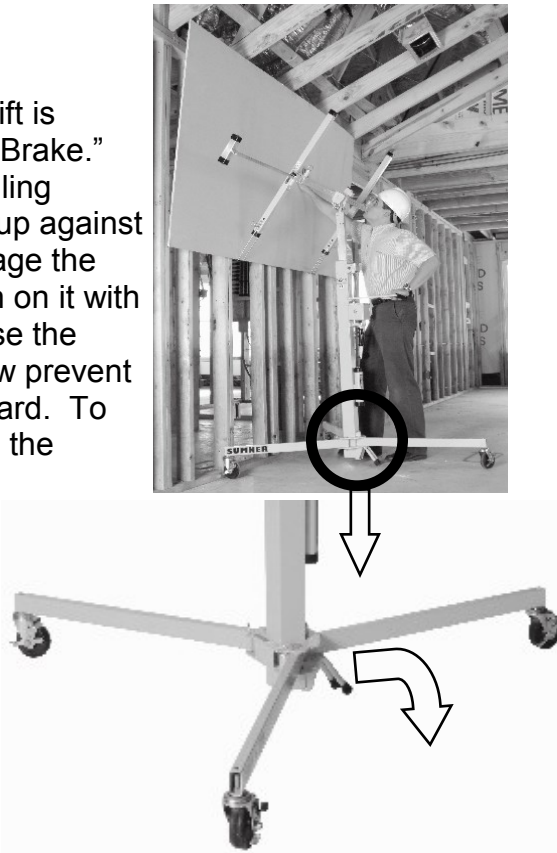
Cradle Length (max)	119"	302.3 cm
Cradle Length (min)	49"	124.5 cm
Cradle Width	41"	104.1 cm

### HVAC Cradle Specifications

Cradle Length (max)	29"	73.7 cm
Cradle Length (min)	16"	40.0 cm
Cradle Width	34"	86.4 cm

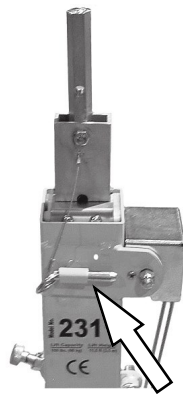
## 9. Back Up Brake

The 2300 series drywall lift is outfitted with a “Back Up Brake.” This stops the lift from rolling backward when working up against a wall or ceiling. To engage the brake, simply press down on it with your foot. This will release the brake. The brake will now prevent the lift from rolling backward. To place the brake back into the stored position, lift it up with your foot until it locks onto the rear leg.



## 10. Storing and Transporting the Lift

The 2300 series lift is designed for easy transport. The unit is easily broken down into three sections. All three sections are easy to carry. The main mast even has a carrying handle centrally located. Prior to transporting the main mast, attach the mast hold down cable to prevent the masts from extending unintentionally.



Mast Latch



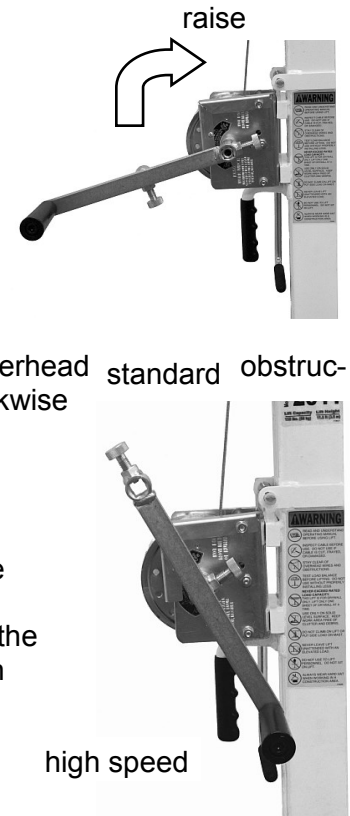
## 4. Lifting and Lowering Loads

Use the winch to crank mast up or down into the desired position.

Any unstable load must be *balanced* and *secured* to the cradle prior to lifting.

Turn winch crank clockwise to elevate the load, while watching for overhead obstructions. Turn winch handle counter clockwise to lower the load.

Each handle is equipped with two mounting positions. With the handles mounted in the “standard” position, the operator can raise and lower loads as normal. With the handles mounted in the “high speed” position, the operator can raise and lower the lift in half the time.



### CAUTION



**Make sure the floor surface is level.**

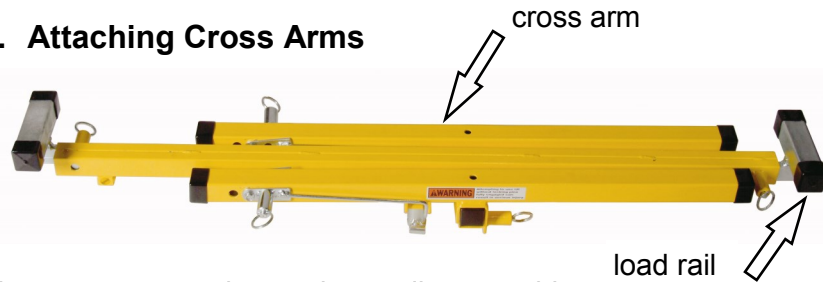
### WARNING



**No riders allowed on this unit. This is not a personnel lift and never should be used for hoisting or moving people.**



## 5. Attaching Cross Arms



The cross arms arrive on the cradle assembly in the storage position. To place the cross arms in their operating positions, pull the ring on the spring loaded plunger and remove from the storage bar. Position the cross arm over one of the operating positions and drop down into place ensuring that the spring loaded plunger has fully engaged in the locating hole.



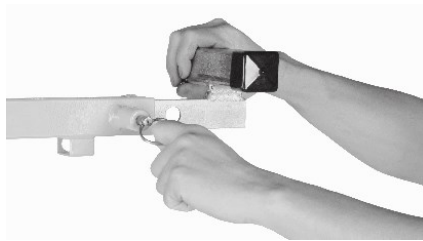
### CAUTION



The load support hook should be positioned on the side of the lift opposite the winch.

## 6. Extending Load Rails

The load rails can be extended to help support wide loads. To extend the rails, pull the ring on the spring loaded plunger and slide the rail out. The spring loaded plunger will engage in the next available position.



### WARNING



The spring loaded plunger must be fully engaged prior to lifting a load.

### WARNING



Never lift a load without ensuring it is properly balance and supported on the cradle.

## 7. Load Support Hooks

To position the load support hooks in the operating position, pull the ring on the spring loaded plunger and rotate the hook from the stowed position. Ensure that the spring loaded plunger is fully engaged prior to loading drywall onto the lift.

Never attempt to lift a sheet of drywall without positioning the load support hooks into the operating position.



### WARNING



The spring loaded plunger must be fully engaged prior to loading drywall onto the lift.

### WARNING



Attempting to lift a sheet of drywall without using the load support hooks can result in injury.

### WARNING



Attempting to lift more than one sheet of drywall can result in injury.

## 8. Steering Handle

The 2300 series lift comes equipped with a steering handle. This handle aids the operator in positioning the lift during operation. To position the handle, pull out (approximately 1 in. (2.5 cm)) past the stop block and rotate up 90 degrees. Release the handle and it will lock in place. Reverse this procedure for storage.

