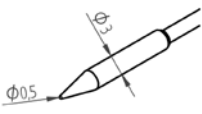
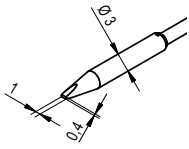
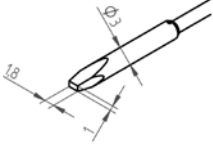
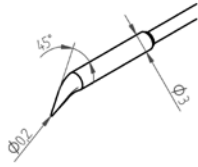
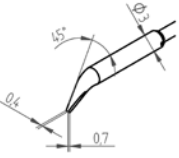
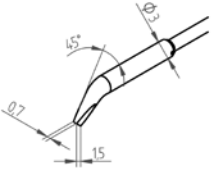
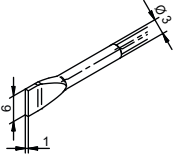


SERIES 462 DESOLDERING TIPS

■ All i-CON stations with CHIP TOOL VARIO desoldering pincette

<p>0462PDLF005/SB pencil point, 0.5 mm \emptyset</p> 	<p>0462CDLF010/SB chisel-shaped, 1.0 mm</p> 	<p>0462CDLF018/SB chisel-shaped, 1.8 mm</p> 	<p>0462SDLF002/SB pencil point, 0.2 mm \emptyset, bent</p> 
<p>0462MDLF007/SB chisel-shaped, bent, 0.7 mm</p> 	<p>0462MDLF015/SB chisel-shaped, bent, 1.5 mm</p> 	<p>0462FDLF060/SB desoldering tips, 6 mm</p> 	

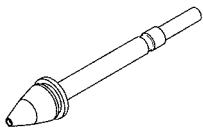
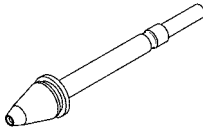
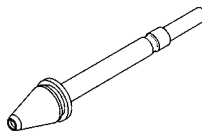
Dimensions without pre-tinning

SERIES 722 ERSADUR DESOLDERING TIPS

■ DIGITAL 2000 A with X-TOOL

■ X-TOOL KIT 1

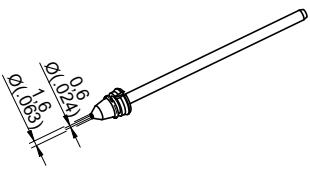
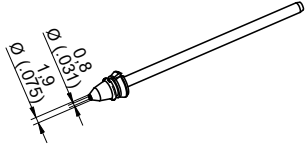
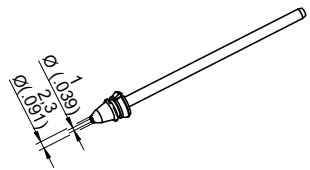
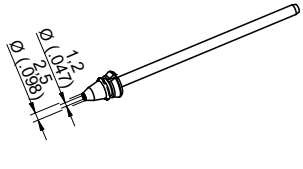
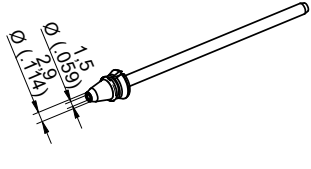
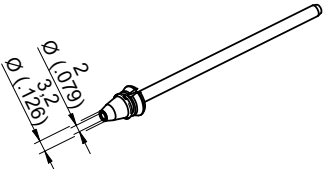
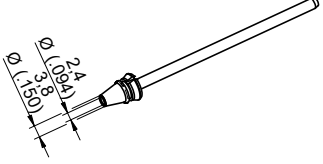
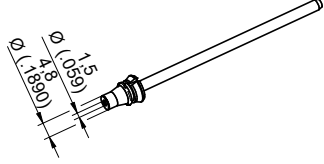
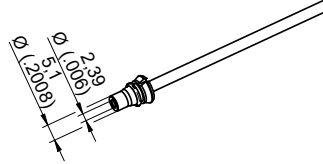
■ All i-CON stations with X-TOOL

<p>0722ED0821/SB ID \emptyset 0.8 mm, OD \emptyset 2.1 mm</p> 	<p>0722ED1226/SB ID \emptyset 1.2 mm, OD \emptyset 2.6 mm</p> 	<p>0722ED1529/SB ID \emptyset 1.5 mm, OD \emptyset 2.9 mm</p> 
---	---	---

Dimensions without pre-tinning

SERIES 742 DESOLDERING TIPS, ERSADUR, NICKEL-PLATED

■ All i-CON Stations with X-TOOL VARIO desoldering iron

<p>0742ED0616H/SB ERSADUR desoldering tip, highly tin-plated</p> 	<p>0742ED0819H/SB ERSADUR desoldering tip, highly tin-plated</p> 	<p>0742ED1023H/SB ERSADUR desoldering tip, highly tin-plated</p> 
<p>0742ED1225H/SB ERSADUR desoldering tip, highly tin-plated</p> 	<p>0742ED1529H/SB ERSADUR desoldering tip, highly tin-plated</p> 	<p>0742ED2032H/SB ERSADUR desoldering tip, highly tin-plated</p> 
<p>0742ED2438H/SB ERSADUR desoldering tip, highly tin-plated</p> 	<p>0742ED1548H/SB ERSADUR desoldering tip, highly tin-plated ID \emptyset 1.5 mm, OD \emptyset 4.8 mm</p> 	<p>0742ED2351H/SB ERSADUR desoldering tip, highly tin-plated ID \emptyset 2.3 mm, OD \emptyset 5.1 mm</p> 

Dimensions without pre-tinning