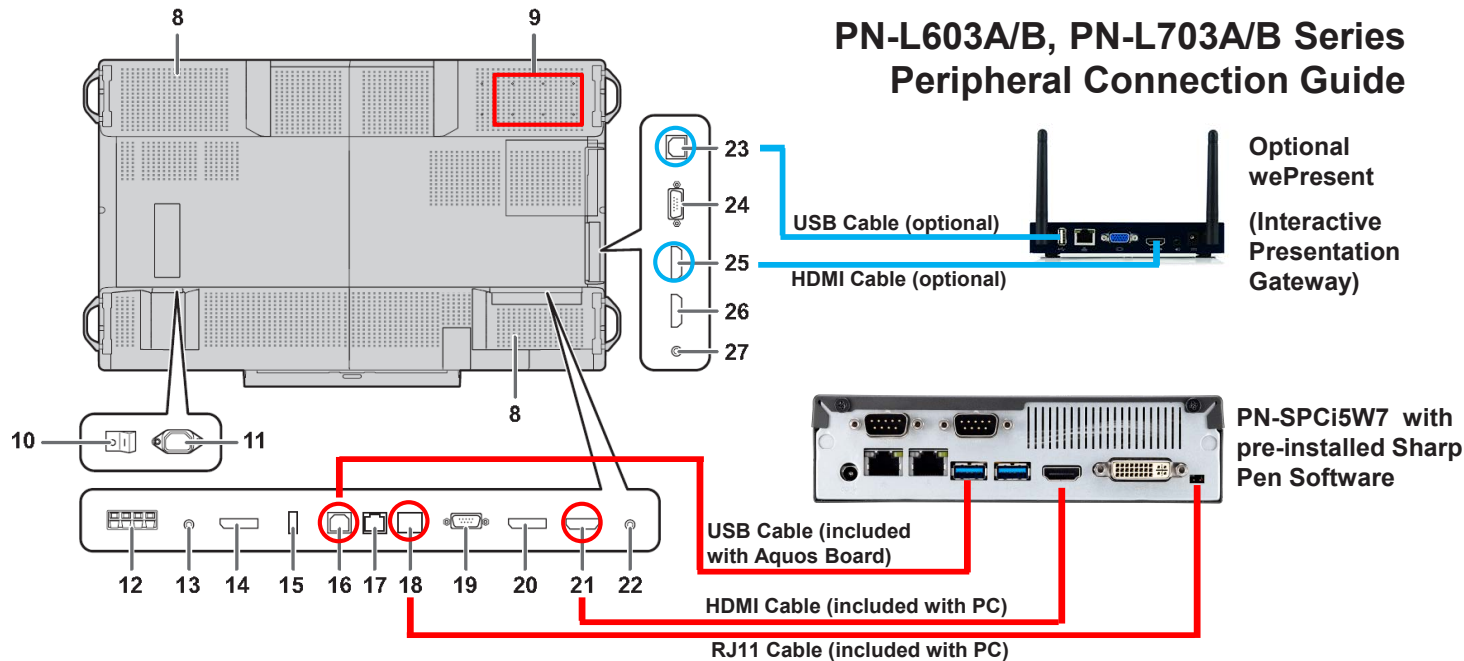


## PN-L603A/B, PN-L703A/B Series Peripheral Connection Guide



### 8. Vents

#### 9. PN-SPCi5W7 Mounting Location

10. Main power switch (See page 17.)

11. A/C input terminal (See page 14.)

12. External speaker terminals (See page 13.)

13. Audio output terminal (See page 13.)

14. DisplayPort output terminal (See page 13.)

15. Touch pen adapter port (See page 19.)

16. USB 1 port (See page 13.)

17. LAN terminal (See page 13.)

18. RJ-11 Port for PN-SPCi5W7

19. D-sub 1 input terminal (See page 12.)

20. DisplayPort input terminal (See page 12.)

21. HDMI 1 input terminal (See page 12.)

22. Audio 1 input terminal (See page 13.)

23. USB 2 port (See page 13.)

24. D-sub 2 input terminal (See page 12.)

25. HDMI 2 input terminal (See page 12.)

26. HDMI 3 input terminal (See page 12.)

27. Audio 2 input terminal (See page 13.)

\* Page numbers refer to Operation Manual

# SHARP®

# Touchboards

205 Westwood Ave, Long Branch, NJ 07740

Phone: 866-94 BOARDS (26273) / (732)-222-1511

Fax: (732)-222-7088 | E-mail: sales@touchboards.com