

SHARP®

PN-L705H

LCD MONITOR
MONITEUR LCD
MONITOR LCD

SETUP MANUAL
MANUEL D'INSTALLATION
MANUAL DE INSTALACIÓN

ENGLISH

FRANÇAIS

ESPAÑOL

HDMI

ENGLISH E1
FRANÇAIS..... F1
ESPAÑOL S1

IMPORTANT:

To aid reporting in case of loss or theft, please record the product's model and serial numbers in the space provided. The numbers are located in the rear of the product.

Model No.:

Serial No.:

U.S.A. ONLY

FCC CAUTION

Changes or modifications not expressly approved by the party responsible for compliance could void the user's authority to operate the equipment.

This transmitter must not be co-located or operated in conjunction with any other antenna or transmitter.

U.S.A. ONLY

This device complies with Part 15 of FCC Rules and Industry Canada licence-exempt RSS standard(s). Operation is subject to the following two conditions: (1) this device may not cause interference, and (2) this device must accept any interference, including interference that may cause undesired operation of this device.

This equipment complies with FCC/IC radiation exposure limits set forth for an uncontrolled environment and meets the FCC radio frequency (RF) Exposure Guidelines and RSS-102 of the IC radio frequency (RF) Exposure rules. This equipment has very low levels of RF energy that are deemed to comply without testing of specific absorption ratio (SAR).

U.S.A. AND
CANADA ONLY

Le présent appareil est conforme aux CNR d'Industrie Canada applicables aux appareils radio exempts de licence. L'exploitation est autorisée aux deux conditions suivantes : (1) l'appareil ne doit pas produire de brouillage, et (2) l'utilisateur de l'appareil doit accepter tout brouillage radioélectrique subi, même si le brouillage est susceptible d'en compromettre le fonctionnement.

Cet équipement est conforme aux limites d'exposition aux rayonnements énoncées pour un environnement non contrôlé et respecte les règles d'exposition aux fréquences radioélectriques (RF) CNR-102 de l'IC. Cet équipement émet une énergie RF très faible qui est considérée conforme sans évaluation du débit d'absorption spécifique (DAS).

CANADA SEULEMENT

CAN ICES-3 (A) / NMB-3 (A)



Contents [ENGLISH]

<p>IMPORTANT INFORMATION.....1</p> <p>DEAR SHARP CUSTOMER.....1</p> <p>SAFETY PRECAUTIONS.....2</p> <p>SAFETY INSTRUCTION3</p> <p>MOUNTING PRECAUTIONS4</p> <p>Supplied Components.....5</p>	<p>Preparing the Remote Control Unit and the Touch Pen ...5</p> <p>Connections6</p> <p>Turning Power On/Off.....7</p> <p>Specifications8</p> <p>Mounting Precautions (For SHARP dealers and service engineers).....8</p>
--	--

ENGLISH

Read the manuals in the provided CD-ROM. (Adobe Acrobat Reader is required to view the manuals.)

IMPORTANT INFORMATION

WARNING: TO REDUCE THE RISK OF FIRE OR ELECTRIC SHOCK, DO NOT EXPOSE THIS PRODUCT TO RAIN OR MOISTURE.

<div style="border: 1px solid black; padding: 5px; margin-bottom: 10px;"> <div style="display: flex; justify-content: space-between; align-items: center;"> <div style="text-align: center;"> <p>CAUTION</p> <p>RISK OF ELECTRIC SHOCK</p> <p>DO NOT OPEN</p> </div> </div> </div> <p>CAUTION: TO REDUCE THE RISK OF ELECTRIC SHOCK, DO NOT REMOVE COVER. NO USER-SERVICEABLE PARTS INSIDE. REFER SERVICING TO QUALIFIED SERVICE PERSONNEL.</p>	<div style="margin-bottom: 20px;"> <p>The lightning flash with arrowhead symbol, within a triangle, is intended to alert the user to the presence of uninsulated “dangerous voltage” within the product’s enclosure that may be of sufficient magnitude to constitute a risk of electric shock to persons.</p> </div> <div> <p>The exclamation point within a triangle is intended to alert the user to the presence of important operating and maintenance (servicing) instructions in the literature accompanying the product.</p> </div>
---	---

WARNING:
FCC Regulations state that any unauthorized changes or modifications to this equipment not expressly approved by the manufacturer could void the user’s authority to operate this equipment.

NOTE:
This equipment has been tested and found to comply with the limits for Class A digital device, pursuant to Part 15 of the FCC Rules. These limits are designed to provide reasonable protection against harmful interference when the equipment is operated in a commercial environment. This equipment generates, uses, and can radiate radio frequency energy and, if not installed and used in accordance with the instruction manual, may cause harmful interference to radio communications. Operation of this equipment in a residential area is likely to cause harmful interference in which case the user will be required to correct the interference at his own expense.

U.S.A. ONLY

DEAR SHARP CUSTOMER

Thank you for your purchase of a SHARP LCD product. To ensure safety and many years of trouble-free operation of your product, please read the Safety Precautions carefully before using this product.



SAFETY PRECAUTIONS

Electricity is used to perform many useful functions, but it can also cause personal injuries and property damage if improperly handled. This product has been engineered and manufactured with the highest priority on safety. However, improper use can result in electric shock and/or fire. In order to prevent potential danger, please observe the following instructions when installing, operating and cleaning the product. To ensure your safety and prolong the service life of your LCD product, please read the following precautions carefully before using the product.

1. Read instructions — All operating instructions must be read and understood before the product is operated.
2. Keep this manual in a safe place — These safety and operating instructions must be kept in a safe place for future reference.
3. Observe warnings — All warnings on the product and in the instructions must be observed closely.
4. Follow instructions — All operating instructions must be followed.
5. Cleaning — Unplug the power cord from the power outlet before cleaning the product. Use a dry cloth to clean the product. Do not use liquid cleaners or aerosol cleaners. Do not use dirty cloths. Doing so may damage the product.
6. Attachments — Do not use attachments not recommended by the manufacturer. Use of inadequate attachments can result in accidents.
7. Water and moisture — Do not use the product near water. Do not install the product in a place where water may splash onto it. Be careful of equipment which drains water such as an air-conditioner.
8. Ventilation — The vents and other openings in the cabinet are designed for ventilation. Do not cover or block these vents and openings since insufficient ventilation can cause overheating and/or shorten the life of the product. Do not place the product on a sofa, rug or other similar surface, since they can block ventilation openings. Do not place the product in an enclosed place such as a bookcase or rack, unless proper ventilation is provided or the manufacturer's instructions are followed.
9. Power cord protection — The power cords must be routed properly to prevent people from stepping on them or objects from resting on them.
10. The screen used in this product is made of glass. Therefore, it can break when the product is dropped or applied with impact. Be careful not to be injured by broken glass pieces in case the screen breaks.
11. Overloading — Do not overload power outlets or extension cords. Overloading can cause fire or electric shock.
12. Entering of objects and liquids — Never insert an object into the product through vents or openings. High voltage flows in the product, and inserting an object can cause electric shock and/or short internal parts.
For the same reason, do not spill water or liquid on the product.
13. Servicing — Do not attempt to service the product yourself. Removing covers can expose you to high voltage and other dangerous conditions. Request a qualified service person to perform servicing.
14. Repair — If any of the following conditions occurs, unplug the power cord from the power outlet, and request a qualified service person to perform repairs.
 - a. When the power cord or plug is damaged.
 - b. When a liquid was spilled on the product or when objects have fallen into the product.
 - c. When the product has been exposed to rain or water.
 - d. When the product does not operate properly as described in the operating instructions.
Do not touch the controls other than those described in the operating instructions. Improper adjustment of controls not described in the instructions can cause damage, which often requires extensive adjustment work by a qualified technician.
 - e. When the product has been dropped or damaged.
 - f. When the product displays an abnormal condition. Any noticeable abnormality in the product indicates that the product needs servicing.
15. Replacement parts — In case the product needs replacement parts, make sure that the service person uses replacement parts specified by the manufacturer, or those with the same characteristics and performance as the original parts. Use of unauthorized parts can result in fire, electric shock and/or other danger.
16. Safety checks — Upon completion of service or repair work, request the service technician to perform safety checks to ensure that the product is in proper operating condition.
17. Wall mounting — When mounting the product on a wall, be sure to install the product according to the method recommended by the manufacturer.
18. Heat sources — Keep the product away from heat sources such as radiators, heaters, stoves and other heat-generating products (including amplifiers).
19. Batteries — Incorrect use of batteries may cause the batteries to burst or ignite. A leaky battery may corrode the equipment, dirty your hands or spoil your clothing. In order to avoid these problems, make sure to observe the precautions below:
 - Use the specified batteries only.
 - Install the batteries with due attention to the plus (+) and minus (-) sides of the batteries according to the instructions in the compartment.
 - Do not mix old and new batteries.
 - Do not mix batteries of different types. Voltage specifications of batteries of the same shape may vary.
 - Replace an exhausted battery with a new one promptly.
 - If you will not use the remote control for a long time, remove the batteries.
 - If leaked battery fluid gets on your skin or clothing, rinse immediately and thoroughly. If it gets into your eye, bathe your eye well rather than rubbing and seek medical treatment immediately. Leaked battery fluid that gets into your eye or your clothing may cause a skin irritation or damage your eye.

20. Usage of the monitor must not be accompanied by fatal risks or dangers that, could lead directly to death, personal injury, severe physical damage or other loss, including nuclear reaction control in nuclear facility, medical life support system, and missile launch control in a weapon system.
21. Do not stay in contact with the parts of the product that become hot for long periods of time. Doing so may result in low-temperature burns.
22. Do not modify this product.

WARNING:

This is a Class A product. In a domestic environment this product may cause radio interference in which case the user may be required to take adequate measures.

An apparatus with CLASS I construction shall be connected to a MAIN socket outlet with a protective earthing connection.

To maintain compliance with EMC regulations, use shielded cables to connect to the following terminals: HDMI input terminal, D-SUB input terminal, DisplayPort input/output terminals and RS-232C input terminal.

If a monitor is not positioned in a sufficiently stable location, it can be potentially hazardous due to falling. Many injuries, particularly to children, can be avoided by taking simple precautions such as:

- Using fixing devices like wall mount brackets recommended by the manufacturer.
- Only using furniture that can safely support the monitor.
- Ensuring the monitor is not overhanging the edge of the supporting furniture.
- Not placing the monitor on tall furniture (for example, cupboards or bookcases) without anchoring both the furniture and the monitor to a suitable support.
- Not standing the monitors on cloth or other materials placed between the monitor and supporting furniture.
- Educating children about the dangers of climbing on furniture to reach the monitor or its controls.
- This equipment is not suitable for use in locations where children are likely to be present unsupervised.

Especially for child safety

- Don't allow children to climb on or play with the monitor.
- Don't place the monitor on furniture that can easily be used as steps, such as a chest of drawers.
- Remember that children can become excited while watching a program, especially on a "larger than life" monitor. Care should be taken to place or install the monitor where it cannot be pushed, pulled over, or knocked down.
- Care should be taken to route all cords and cables connected to the monitor so that they cannot be pulled or grabbed by curious children.

SAFETY INSTRUCTION

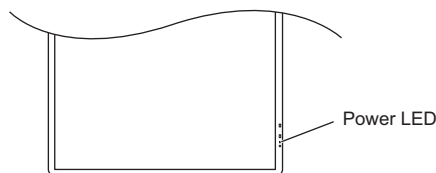
- Do not use the monitor where there is a lot of dust, where humidity is high, or where the monitor may come into contact with oil or steam. Do not use in an environment where there are corrosive gases (sulfur dioxide, hydrogen sulfide, nitrogen dioxide, chlorine, ammonia, ozone, etc.). As this could lead to fire.
- Ensure that the monitor does not come into contact with water or other fluids. Ensure that no objects such as paper clips or pins enter the monitor as this could lead to fire or electric shock.
- Do not place the monitor on top of unstable objects or in unsafe places. Do not allow the monitor to receive strong shocks or to strongly vibrate. Causing the monitor to fall or topple over may damage it.
- Do not use the monitor near heating equipment or in places where there is likelihood of high temperature, as this may lead to generation of excessive heat and outbreak of fire.
- Do not use the monitor in places where it may be exposed to direct sunlight. Risk of cabinet deformation and failure if the monitor is used in direct sunlight.
- Please be sure to constantly remove dust and garbage that has attached to the ventilation opening. If dust collects in the ventilation opening or the inside of the monitor, it may lead to excessive heat, outbreak of fire, or malfunction. Please request a cleaning of the inside of the monitor from an authorized SHARP servicing dealer or service center.
- The power outlet shall be installed near the equipment and shall be easily accessible.
- Do not operate the screen with a hard or pointed object such as a fingernail or pencil.

The Power Cord

- Use only the power cord supplied with the monitor.
- Do not damage the power cord nor place heavy objects on it, stretch it or over bend it. Also, do not add extension cords. Damage to the cord may result in fire or electric shock.
- Do not use the power cord with a power tap. Adding an extension cord may lead to fire as a result of overheating.
- Do not remove or insert the power plug with wet hands. Doing so could result in electric shock.
- Unplug the power cord if it is not used for a long time.
- Do not attempt to repair the power cord if it is broken or malfunctioning. Refer the servicing to the service representative.

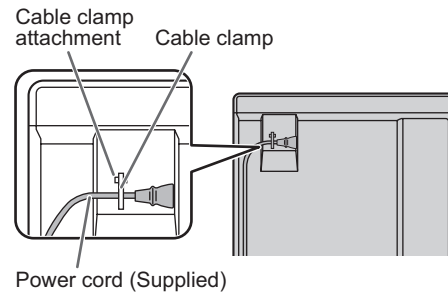
MOUNTING PRECAUTIONS

- This product is for use indoors.
- A mounting bracket compliant with VESA specifications is required.
- Since the monitor is heavy, consult your dealer before installing, removing or moving the monitor.
- Mounting the monitor on the wall requires special expertise and the work must be performed by an authorized SHARP dealer. You should never attempt to perform any of this work yourself. Our company will bear no responsibility for accidents or injuries caused by improper mounting or mishandling.
- Use the monitor with the surface perpendicular to a level surface. If necessary, the monitor may be tilted up to 20 degrees upward.
- When moving this monitor, hold with the handles or at the sides of this monitor, and hold the top and bottom of this monitor. Do not grasp the screen, monitor corner, tray, speaker, or speaker cover. This may cause product damage, failure, or injury.
- This monitor should be used at an ambient temperature between 41°F (5°C) and 95°F (35°C).
- Be careful of high temperatures in the surrounding area. If it is difficult to provide sufficient space for any reason such as the installation of the monitor inside a housing, or if the ambient temperature may be outside of the range of 41°F (5°C) to 95°F (35°C), install a fan or take other measures to keep the ambient temperature within the required range.
- Temperature condition may change when using the monitor together with the optional equipments recommended by SHARP. In such cases, please check the temperature condition specified by the optional equipments.
- Do not block any ventilation openings. If the temperature inside the monitor rises, this could lead to a malfunction.
- Do not place the monitor on a device which generates heat.
- Adhere to the following when installing the monitor in its portrait orientation. Failing to adhere to the following may cause malfunctions.
 - Install the monitor such that the power LED is located on the bottom side.

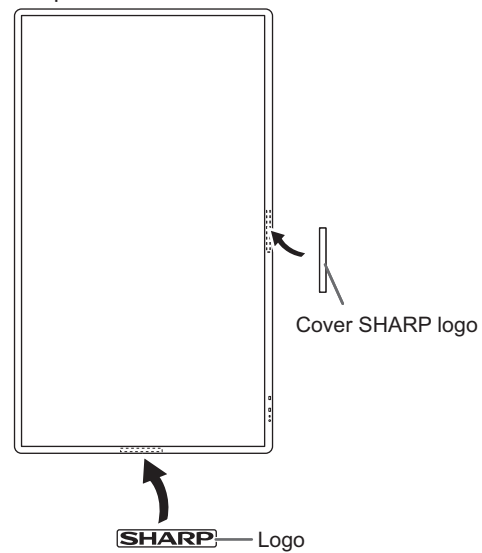


- Set the PORTRAIT/LANDSCAPE INSTALL on the MONITOR menu to PORTRAIT. (See OPERATION MANUAL.)

- Be sure to clamp the power cord (supplied) onto the cable clamp attachment using the supplied cable clamp. When clamping the power cord, take care not to stress the terminal of the power cord. Do not bend the power cord excessively.

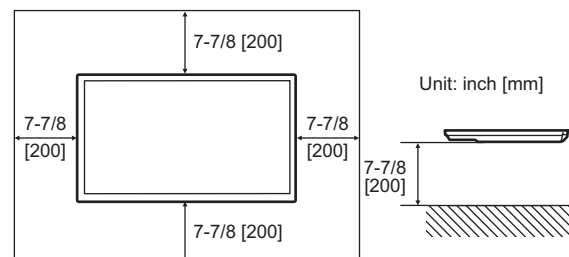


- Use the supplied vertical sticker when you install the monitor in portrait orientation.



Flat installation

- When using the monitor laying flat on a surface (when the monitor is tilted more than 20 degrees upward from the perpendicular in relation to a level surface), consult an authorized SHARP dealer because there are some specific mounting conditions. Adhere to the following. Failing to adhere to the following may cause malfunctions.
 - Set HORIZONTAL INSTALLATION in the MONITOR menu to UPWARD. (See OPERATION MANUAL.)
 - Use the monitor at the ambient temperature within the range of 41°F (5°C) to 86°F (30°C). Provide 7-7/8 inch (200 mm) or more space between the monitor and the floor or other mounting surfaces and surrounding objects to prevent heat from accumulating inside. If it is difficult to provide sufficient space or if the ambient temperature may be outside of the range of 41°F (5°C) to 86°F (30°C), install a fan or take other measures to keep the ambient temperature within the required range.



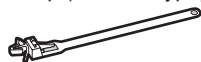
- Do not press hard on the LCD panel or otherwise subject it to impacts.



Supplied Components

If any components are missing, please contact your dealer.

- Liquid Crystal Display Monitor: 1
- Remote control unit: 1
- Cable clamp (insertion type): 4



- Cable clamp: 3



- Power cord: 1
- Remote control unit battery (R-03 ("AAA" size)): 2

- CD-ROM (Utility Disk): 1
- SHARP Display Connect License: 1
- Setup Manual (this manual): 1
- Touch pen (for capacitive touch panel): 1
- Touch pen adapter: 1
- Pen tip for touch pen (for capacitive touch panel): 2
- Touch pen battery (LR-03 ("AAA" size)): 1
- Tray: 1
- Speaker cover: 2
- USB cable: 1
- USB extension cable: 1

- RS-232C conversion cable (3.5mm mini jack): 1
 - Eraser (for capacitive touch panel): 1
 - Camera mount: 1
 - Camera screw (inch thread): 1
 - Speaker cover attachment screws (M3)/ Camera mount screws (M3): 6
 - Touch pen adapter screw (Step screw, M3): 1
 - Vertical sticker (Logo): 1
 - Cover SHARP logo: 1
- Place this sticker onto the SHARP logo to cover the logo.

* SHARP Corporation holds authorship rights to the Utility Disk program. Do not reproduce it without permission.

* For environmental protection!

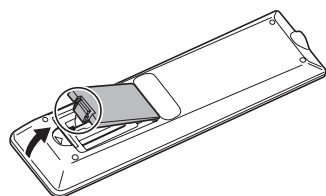
Do not dispose of batteries in household waste. Follow the disposal instructions for your area.

ENGLISH

Preparing the Remote Control Unit and the Touch Pen

Installing the batteries

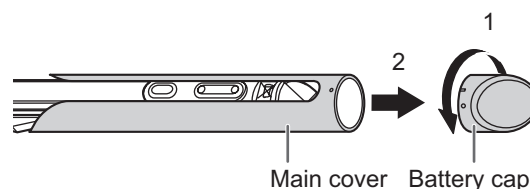
1. Place your finger on the part marked with the ▲, and then pull the cover off.



2. See the instructions in the compartment and put in the supplied batteries (R-03 ("AAA" size) x 2) with their plus (+) and minus (-) sides oriented correctly.
3. Close the cover.

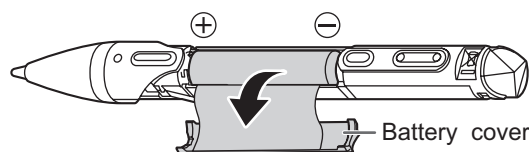
Inserting the battery

1. Remove the battery cap and main cover.



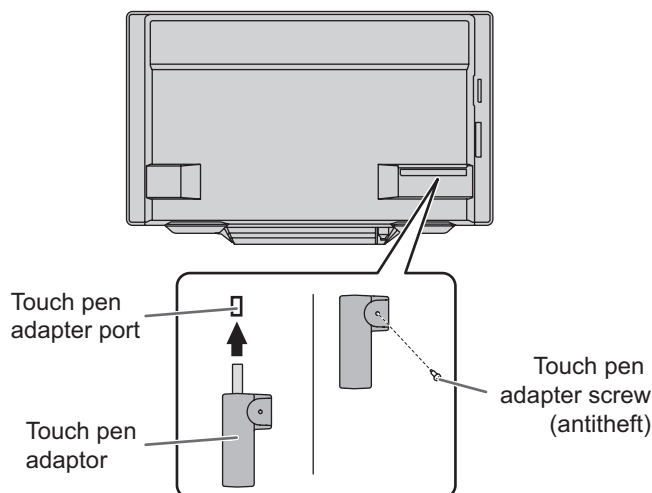
2. Open the battery cover and insert the supplied battery (LR-03 ("AAA" size) x 1) into the touch pen.

Check the plus (+) and minus (-) markings on the inside of the touch pen and insert the battery in the correct orientation.



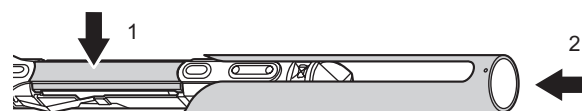
Connecting the touch pen adapter

To use the touch pen, insert the touch pen adapter into the touch pen adapter port on the monitor.

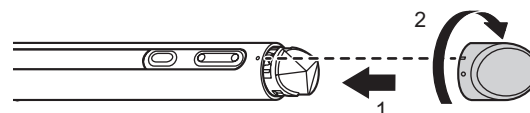


3. Replace the battery cover and main cover.

While pressing the battery cover, replace the main cover.



4. Replace the battery cap.



TIPS

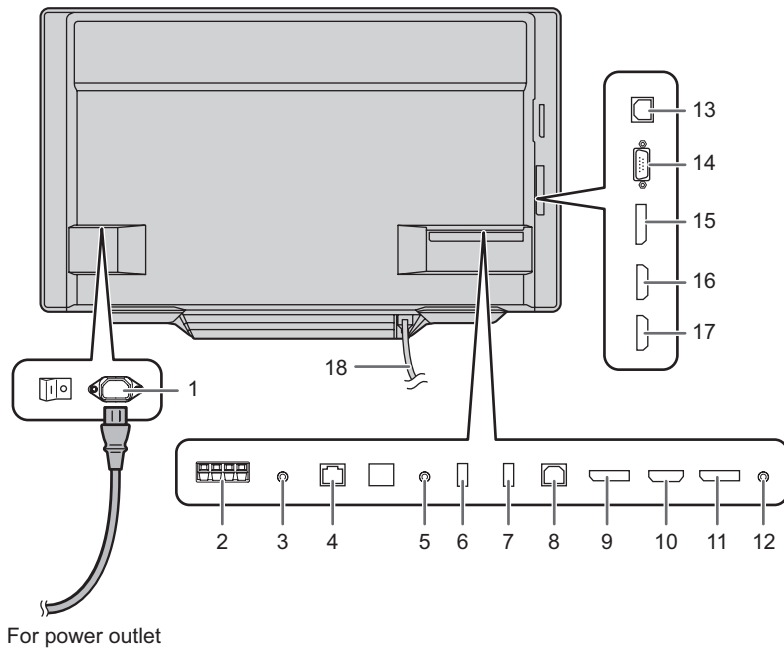
- To use an optional touch pen with the monitor, the touch pen must be registered in the touch pen adapter. (pairing) For details, see the Touch pen Management Tool operation manual.



Connections

! Caution

- Be sure to turn off the main power switch and disconnect the plug from the power outlet before connecting/disconnecting cables. Also, read the manual of the equipment to be connected.
- Be careful not to confuse the input terminal with the output terminal when connecting cables. Accidentally reversing cables connected to the input and output terminals may cause malfunctions and the other problems.



1. AC input terminal
2. External speaker terminals
3. Audio output terminal
4. LAN terminal
5. RS-232C input terminal
6. Touch pen adapter port
7. USB port
8. USB 1 port (for touch panel)
9. DisplayPort output terminal
10. HDMI 1 input terminal
11. DisplayPort 1 input terminal
12. Audio input terminal
13. USB 2 port (for touch panel)
14. D-sub input terminal
15. DisplayPort 2 input terminal
16. HDMI 2 input terminal
17. HDMI 3 input terminal
18. USB cable

To use the USB port (for USB device) (USB 2.0 compliant) on the front of the tray, connect the USB cable to the USB port on the computer. (The touch panel must be connected separately.)

TIPS

- Set the audio input terminal to be used in each input mode in AUDIO SELECT on the SETUP menu. The factory settings are shown below.

Input mode	Audio input terminal (Factory setting)
HDMI1	HDMI 1 input terminal
HDMI2	HDMI 2 input terminal
HDMI3	HDMI 3 input terminal

Input mode	Audio input terminal (Factory setting)
DisplayPort 1	DisplayPort 1 input terminal
DisplayPort 2	DisplayPort 2 input terminal
D-SUB	Audio input terminal

- To use the touch panel, the touch panel and computer must be connected, and Touch pen Management Tool, and Pen Software must be installed on the computer from the supplied CD-ROM. When the Information Display Downloader is installed, you can check and download the most recent versions of the software programs. To install the software, see the manual for each.
- The USB port varies depending on the terminal connected to the computer.

DisplayPort 1 input terminal/HDMI 1 input terminal	USB 1 port (for touch panel)
D-sub input terminal/DisplayPort 2 input terminal/HDMI 2 input terminal/HDMI 3 input terminal	USB 2 port (for touch panel)

(Factory setting. Can be changed in TOUCH INPUT SELECT in the SETUP menu.)

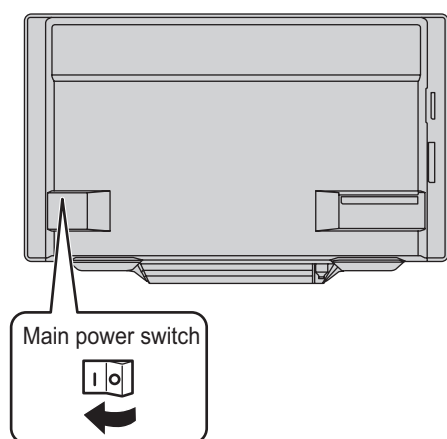
- SHARP Display Connect setup program and Touch Viewer setup program can be downloaded using Information Display Downloader.
- The terms HDMI and HDMI High-Definition Multimedia Interface, and the HDMI Logo are trademarks or registered trademarks of HDMI Licensing Administrator, Inc. in the United States and other countries.
- DisplayPort is a registered trademark of Video Electronics Standards Association.
- Adobe, Acrobat, and Acrobat Reader are either registered trademarks or trademarks of Adobe Systems Incorporated in the United States and/or other countries.
- All other brand and product names are trademarks or registered trademarks of their respective holders.

Turning Power On/Off

! Caution

- Turn on the monitor first before turning on the computer or playback device.
- When switching the main power switch or the POWER button off and back on, always wait for at least 5 seconds. A short interval may result in a malfunction.

Turning on the main power

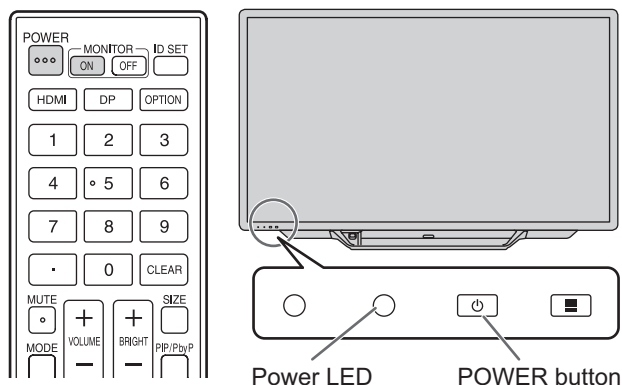


! Caution

- The main power must be turned on/off with the main power switch. Do not connect/disconnect the power cord or turn the breaker on/off while the main power switch is on.
- For a complete electrical disconnection, pull out the main plug.

Turning power on

Press the POWER button or MONITOR ON button to turn the power ON.



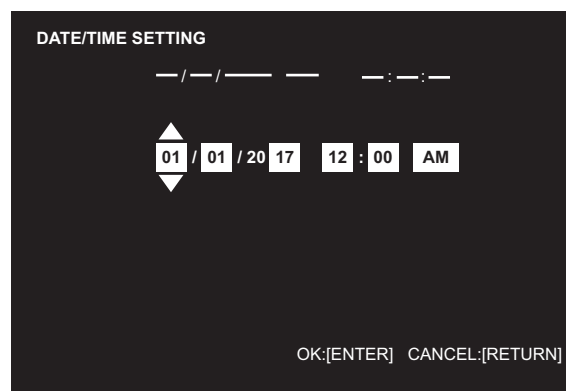
Status	Status of the monitor
Blue lit	Power on
Orange lit	Power off (Standby mode)
Blue flashing	Input signal waiting mode

TIPS

- You can fix the input mode that appears after startup. Set START INPUT MODE on the SETUP menu.

■ Date/time setting

- If the time has yet to be set when the monitor is first turned on, the date/time setting screen appears. Set the date and time.



- (1) Press the ◀ or ▶ button to select the date and time, and press the ▲ or ▼ button to change the numerical values.
 - (2) Press the ENTER button.
- Be sure to set the date and time.
 - The date/time setting screen will close automatically if no operation is performed for about 15 seconds. The date and time can be set using DATE/TIME SETTING from the SETUP menu when the date/time setting screen disappears.

TIPS

- Set the date in "Month/Day/Year" order.
- Set the time on a 12-hour basis.
- The clock is maintained by the internal battery.
- If you already set the time but the date/time setting screen appears when the power is turned on, the internal battery may be exhausted. Please contact your local SHARP servicing dealer or service center for assistance with battery replacement.
- Estimated service life of the internal battery: About 5 years (depending on monitor operation)
- The initial battery was inserted at the factory when the monitor was shipped, so it may run out of power before its expected operation life.

Turning power off

Turning power off with monitor buttons

1. **Touch the POWER button.**
The recognition screen appears.
2. **Touch [OK].**
The power is turned off. (Standby mode)

TIPS

- If about 15 seconds elapses while the recognition screen appears, the power will automatically turn off.

Turning power off with remote control unit

1. **Press the POWER button or MONITOR OFF button.**
The power is turned off. (Standby mode)

Specifications

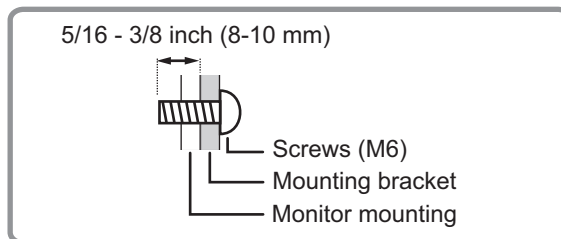
Model	PN-L705H
Power requirement	AC 100 V - 240 V, 3.2 A, 50/60 Hz
Operating temperature *	41°F to 95°F (5°C to 35°C)
Operating humidity	20% to 80% (no condensation)
Power consumption	xx W
Dimensions (excluding protrusions) inch (mm)	Approx. xx (W) x xx (D) x xx (H) (xx x xx x xx)
Weight lbs. (kg)	Approx. xx (xx)

* When using the monitor laying flat on a surface (when the monitor is tilted more than 20 degrees upward from the perpendicular in relation to a level surface), use the monitor at a temperature between 41°F (5°C) to 86°F (30°C).
 Temperature condition may change when using the monitor together with the optional equipments recommended by SHARP.
 In such cases, please check the temperature condition specified by the optional equipments.

As a part of our policy of continuous improvement, SHARP reserves the right to make design and specification changes for product improvement without prior notice. The performance specification figures indicated are nominal values of production units. There may be some deviations from these values in individual units.


Mounting Precautions (For SHARP dealers and service engineers)

- When installing, removing or moving the monitor, ensure that this is carried out by at least 4 people.
- Be sure to use a wall-mount bracket designed or designated for mounting the monitor.
- This monitor is designed to be installed on a concrete wall or pillar. Reinforced work might be necessary for some materials such as plaster / thin plastic board / wood before starting installation.
 This monitor and bracket must be installed on a wall which can endure at least 4 times or more the weight of the monitor.
 Install by the most suitable method for the material and the structure.
- To attach a VESA-compliant mounting bracket, use M6 screws that are 5/16 inch (8 mm) to 3/8 inch (10 mm) longer than the thickness of the mounting bracket.



- Do not use an impact driver.
- After mounting, please carefully ensure the monitor is secure, and not able to come loose from the wall or mount.
- Do not use any screw holes other than VESA holes for installation.
- When moving this monitor, hold with the handles or at the sides of this monitor, and hold the top and bottom of this monitor.
 Do not grasp the screen, monitor corner, tray, speaker, or speaker cover. This may cause product damage, failure, or injury.
- If you need to temporarily place the monitor on a table or other surface during installation, spread a thick soft cloth on the table to prevent damage to the screen and table.
- Prior to repacking or removal, remove the tray and speaker covers.
- When using the monitor laying flat on a surface (when the monitor is tilted more than 20 degrees upward from the perpendicular in relation to a level surface), consult an authorized SHARP dealer because there are some specific mounting conditions.

■Attaching the Tray

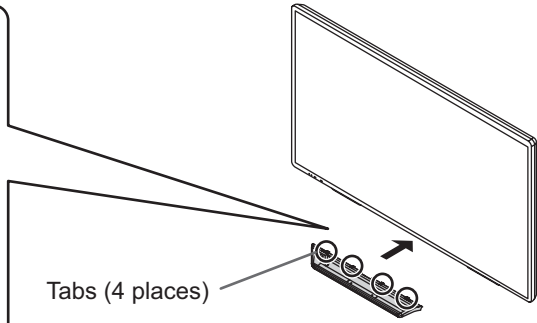


Tray mount fitting

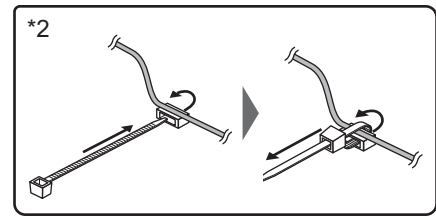
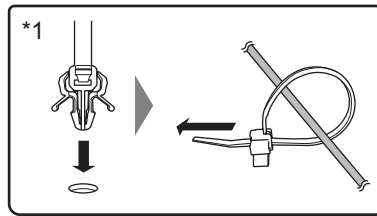
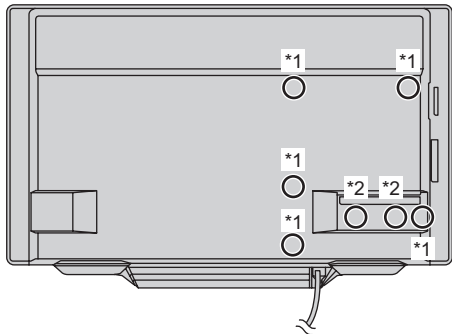
Push until the tabs lock into place (4 places)

! Caution

- When attaching the tray, do not pinch the USB cable on the back of the tray.

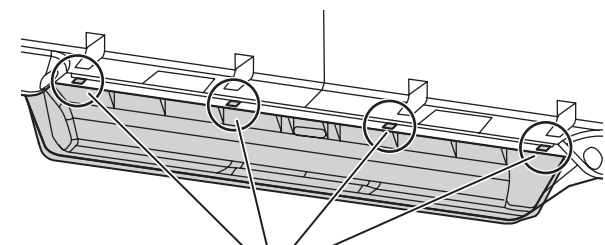


The USB cable on the back of the tray can be fastened with the cable clamp to the rear of the monitor.

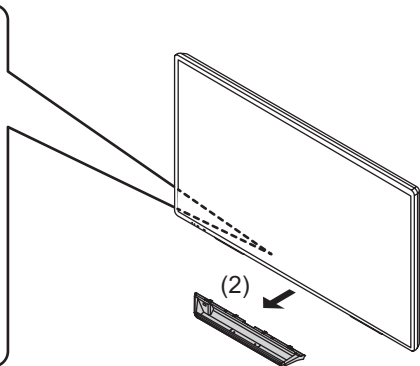


■Removing the Tray

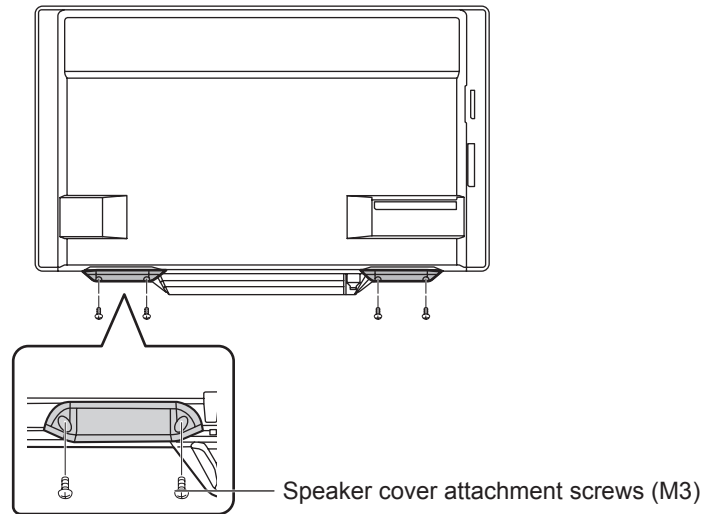
Back of the tray



(1) Pinch the locking tabs (4 places)



■Attaching the speaker covers



If you will use the monitor in a portrait orientation, the speaker cover is not used.

■Removing the tray mount fitting

If you will use the monitor in a portrait orientation or will otherwise not use the tray, remove the tray mount fitting.

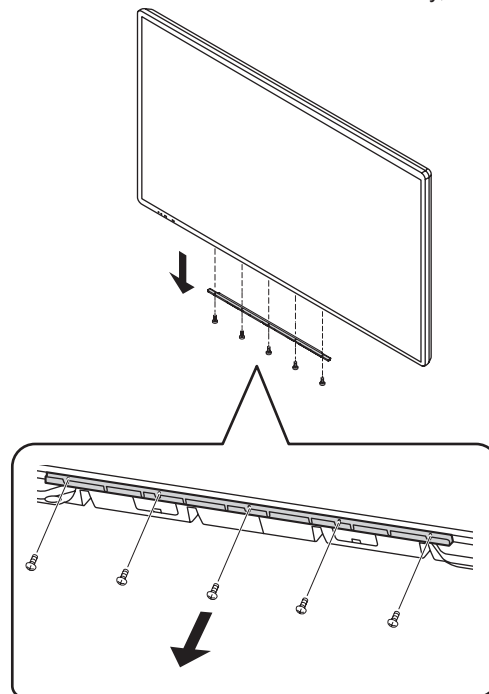




Table des matières

[FRANÇAIS]





INFORMATION IMPORTANTE	1	Préparation de la télécommande et du stylet	5
CHER CLIENT.....	1	Connexions	6
PRÉCAUTIONS DE SÉCURITÉ	2	Mise sous tension et hors tension.....	7
MESURES DE SÉCURITÉ.....	3	Caractéristiques.....	8
PRÉCAUTIONS POUR LE MONTAGE.....	4	Précautions pour le montage	
Composants fournis.....	5	(À l'attention des revendeurs et techniciens SHARP) ...	9

Lisez les manuels se trouvant dans le CD-ROM fourni. (Adobe Acrobat Reader est nécessaire pour pouvoir visualiser les manuels.)

FRANÇAIS

INFORMATION IMPORTANTE

AVERTISSEMENT : POUR RÉDUIRE LE RISQUE D'INCENDIE OU DE DÉCHARGE ÉLECTRIQUE, NE PAS EXPOSER CE PRODUIT À LA PLUIE OU À LA POUSSIÈRE.

	<p>ATTENTION</p> <p>RISQUE DE DÉCHARGE ÉLECTRIQUE NE PAS OUVRIR</p>		 <p>Le symbole représenté par l'éclair à la tête en pointe de flèche à l'intérieur d'un triangle, est placé pour alerter l'utilisateur de la présence d'une "tension dangereuse" non isolée à l'intérieur du produit. Cette tension peut avoir une valeur suffisante pour constituer un risque d'électrocution à toute personne.</p>
<p>ATTENTION : POUR RÉDUIRE LE RISQUE DE DÉCHARGE ÉLECTRIQUE, NE PAS RETIRER LE COUVERCLE. IL N'Y A AUCUNE PIÈCE RÉPARABLE PAR L'UTILISATEUR À L'INTÉRIEUR. AVERTIR LE PERSONNEL DE SERVICE QUALIFIÉ POUR TOUTE PROCÉDURE D'ENTRETIEN.</p>			 <p>Le point d'exclamation à l'intérieur d'un triangle est placé pour alerter l'utilisateur de la présence d'une procédure particulière ou d'une procédure de maintenance (entretien) importante dans les manuels accompagnant le produit.</p>

AVERTISSEMENT :

Les lois FCC établissent que tout changement ou modification non-autorisés de cet équipement qui n'ont pas été expressément approuvés par le producteur, constituent un motif d'annulation des droits de l'utilisateur d'utiliser cet appareil.

REMARQUE :

Cet équipement, après les tests, a été jugé conforme aux limites d'un équipement numérique de Classe A, conformément à la section 15 de la réglementation FCC. Ces limites sont établies pour fournir une protection raisonnable contre les interférences nuisibles lorsque l'équipement est utilisé dans un environnement commercial. Cet équipement produit, utilise et peut rayonner de l'énergie sous forme de radiofréquences et, s'il n'est pas installé et utilisé conformément aux instructions du mode d'emploi, peut provoquer des interférences nuisibles aux communications par radio. Le fonctionnement de cet équipement dans une zone résidentielle peut vraisemblablement provoquer des interférences nuisibles, auquel cas l'utilisateur est prié de corriger ces interférences à ses propres frais.

ÉTATS-UNIS SEULEMENT

CHER CLIENT

Nous vous remercions d'avoir acheté cet appareil SHARP à écran LCD. Afin de garantir le bon fonctionnement de ce moniteur, nous vous conseillons de lire attentivement cette brochure et de la conserver pour toute référence ultérieure.





PRÉCAUTIONS DE SÉCURITÉ

L'électricité remplit de nombreuses fonctions utiles, mais elle peut provoquer des blessures et des dégâts matériels si elle n'est pas utilisée correctement. Cet appareil a été conçu et fabriqué en attachant la plus grande importance à la sécurité. Cependant, une utilisation inadéquate peut entraîner une décharge électrique et/ou un incendie. Afin d'éviter tout danger potentiel, veuillez respecter les consignes suivantes lors de l'installation, de l'utilisation et du nettoyage de l'appareil. Afin d'assurer votre propre sécurité et de prolonger la durée de service de votre moniteur LCD, veuillez lire attentivement les précautions ci-dessous avant d'utiliser l'appareil.

1. Lisez ces explications — Vous devez lire et comprendre toutes les informations relatives au fonctionnement de l'appareil avant de l'utiliser.
2. Conservez cette brochure dans un endroit sûr — Ces explications concernant la sécurité et le fonctionnement doivent être conservées dans un endroit sûr pour vous y référer en cas de besoin.
3. Respectez les avertissements — Tous les avertissements figurant sur l'appareil et dans ce mode d'emploi doivent être strictement respectés.
4. Suivez les instructions — Toutes les explications sur le fonctionnement doivent être respectées.
5. Nettoyage — Débranchez le cordon d'alimentation au niveau de la prise d'alimentation secteur avant de nettoyer l'appareil. Servez-vous d'un linge sec, et n'employez pas de détergents liquides ou en atomiseur. N'utilisez pas de linges sales. Cela risquerait d'endommager l'appareil.
6. Accessoires — N'utilisez pas d'accessoires non recommandés par le fabricant, car ceci pourrait provoquer des accidents.
7. Eau et humidité — N'utilisez pas cet appareil près de l'eau. N'installez pas le produit à un endroit où il pourrait recevoir de l'eau. Évitez en particulier les emplacements sous les appareils à vidange d'eau tels que les climatiseurs.
8. Ventilation — Des ouïes et autres ouvertures sont prévues dans le coffret de l'appareil pour sa ventilation. Ne recouvrez pas et ne bouchez pas ces ouvertures car une ventilation insuffisante peut provoquer une surchauffe et réduire la durée de vie de l'appareil. Ne placez pas l'appareil sur un sofa, un tapis ou toute autre surface analogue car ceci pourrait obstruer les ouvertures de ventilation. Cet appareil n'est pas conçu pour une installation encastrée; ne le placez donc pas dans un endroit fermé comme une bibliothèque ou une baie à moins qu'une ventilation adéquate ne soit prévue et que les consignes du fabricant ne soient respectées.
9. Protection du cordon d'alimentation — Faites passer les cordons d'alimentation à un endroit où ils ne seront pas écrasés ou coincés par d'autres objets.
10. L'écran utilisé dans ce produit est en verre et, par conséquent, il peut se briser si l'appareil tombe ou s'il reçoit un fort impact. Veuillez à ne pas être blessé par les éclats de verre au cas où l'écran se romprait.
11. Surcharge — Ne surchargez pas les prises d'alimentation secteur ou les rallonges car ceci peut entraîner un risque d'incendie ou d'électrocution.
12. Insertion de solides ou de liquides — N'introduisez jamais des objets par les orifices de cet appareil, car ils pourraient provoquer une électrocution et/ou un court-circuit en touchant des pièces internes sous haute tension. Pour la même raison, ne renversez jamais de l'eau ou un liquide sur l'appareil.
13. Entretien — N'essayez pas de réparer vous-même l'appareil. La dépose des couvercles peut vous exposer à une haute tension ou à d'autres dangers. Confiez toute réparation à un personnel qualifié.
14. Réparation — Dans les cas suivants, débranchez le cordon d'alimentation au niveau de la prise d'alimentation secteur et demandez à un personnel qualifié d'effectuer les réparations.
 - a. Dégât sur le cordon ou la prise de courant.
 - b. Infiltration d'un liquide ou pénétration d'un objet à l'intérieur de l'appareil.
 - c. Exposition de l'appareil à la pluie ou à l'eau.
 - d. Fonctionnement anormal malgré une conformité aux explications du mode d'emploi. Ne réglez que les commandes dont il est fait mention dans le mode d'emploi. Un réglage incorrect des autres commandes peut provoquer des dégâts qui nécessiteraient des réparations complexes par un technicien spécialisé.
 - e. Chute ou dégâts subis par l'appareil.
 - f. Tout changement notable ou situation anormale de l'appareil indique qu'une réparation est nécessaire.
15. Pièces de rechange — Lorsque des pièces doivent être remplacées, assurez-vous que le technicien a utilisé les pièces spécifiées par le fabricant ou des pièces dont les performances et les caractéristiques sont identiques. Des changements non autorisés de pièces peuvent entraîner un incendie, une électrocution et/ou d'autres dangers.
16. Contrôles de sécurité — Après une intervention d'entretien ou de réparation, demandez au technicien de procéder à un contrôle pour être sûr que l'appareil peut être utilisé en toute sécurité.
17. Installation sur paroi — Si l'appareil doit être fixé sur une paroi, installez-le en respectant la méthode recommandée par le fabricant.
18. Sources de chaleur — Tenez l'appareil à l'écart de sources de chaleur, telles que radiateurs, dispositifs de chauffage, poêles et autres appareils dégageant de la chaleur (y compris les amplificateurs).
19. Piles — Une utilisation incorrecte des piles peut les faire éclater ou prendre feu. Une pile qui fuit peut causer des corrosions dans l'équipement, des salissures aux mains ou abîmer vos vêtements. Afin d'éviter ces problèmes, assurez-vous que les précautions suivantes sont appliquées :
 - Utilisez seulement des piles prescrites.
 - Installez les piles en faisant bien attention aux polarités plus (+) et moins (-) des piles selon les instructions dans le compartiment.
 - Ne mélangez pas des piles usagées avec des neuves.
 - Ne mélangez pas des piles de différents types. Les spécifications de voltage des piles de même forme peuvent varier.
 - Remplacez rapidement une pile épuisée par une nouvelle.
 - Si vous n'avez pas l'intention d'utiliser la télécommande pendant une longue période, retirez les piles.
 - Si le liquide provenant d'une pile qui fuit touche votre peau ou vos habits, rincez immédiatement et complètement les parties touchées. Si un œil est touché, faites immédiatement un bain d'œil plutôt que de le frotter et cherchez immédiatement un traitement médical. Le liquide provenant de la fuite d'une pile qui atteint votre œil ou vos habits peut causer une irritation de la peau ou des dommages à votre œil.
20. L'utilisation de ce moniteur ne doit pas entraîner des risques mortels ou des dangers qui pourraient provoquer directement la mort, des blessures sur le personnel, des dommages physiques sévères ou d'autres destructions, y compris dans le contrôle des réactions nucléaires dans les installations nucléaires, dans le système médical de réanimation, et dans le contrôle de lancement des missiles dans les systèmes d'armes.





21. N'entrez pas en contact direct avec les parties du produit ayant chauffé pendant de longues périodes. Il pourrait en résulter des brûlures à basse température.
22. Ne modifiez pas ce produit.

AVERTISSEMENT :

Il s'agit d'un appareil de classe A. Dans un environnement résidentiel, cet appareil peut provoquer des interférences radioélectriques. Dans ce cas, il peut être demandé à l'utilisateur de prendre des mesures appropriées.
Un appareil de CLASSE I doit être raccordé à une prise de courant principal par une prise de terre.

Afin de satisfaire aux normes EMC, utiliser des câbles blindés pour connecter les bornes suivantes : Borne d'entrée HDMI, borne d'entrée D-sub, bornes d'entrée/sortie DisplayPort et borne d'entrée RS-232C.

Un moniteur placé sur un support instable est dangereux en raison des risques de chute qu'il présente. De nombreuses blessures, touchant en particulier les enfants, peuvent être évitées en prenant quelques précautions simples :

- Utiliser les dispositifs de fixation tels que les supports muraux fournis par le fabricant.
- Utiliser uniquement des meubles capables d'accueillir le moniteur en toute sécurité.
- Vérifier que le moniteur ne dépasse pas du bord du meuble sur lequel il est posé.
- Ne pas placer le moniteur sur des meubles hauts, armoires ou étagères, par exemple, sans fixer le meuble concerné et le moniteur à un support approprié.
- Ne pas intercaler de tissu ou toute autre matière entre le moniteur et le meuble sur lequel il est posé.
- Expliquer aux enfants qu'il est dangereux de grimper sur les meubles pour atteindre le moniteur ou ses boutons de commande.
- Cet équipement n'est pas destiné à être utilisé dans des endroits où il peut y avoir des enfants laissés sans surveillance.

En particulier pour la sécurité des enfants

- Ne laissez pas les enfants grimper sur ou jouer avec le moniteur.
- Ne placez pas le moniteur sur des meubles qui peuvent facilement se transformer en marches comme une commode avec tiroirs.
- Souvenez-vous que les enfants s'excitent souvent en visionnant un programme, surtout sur un moniteur « plus grand que la normale ». Il faut faire en sorte d'installer le moniteur là où il ne peut pas être poussé, tiré, ni basculé.
- Il faut faire en sorte de placer les fils et les câbles connectés au moniteur de façon à ce que des enfants curieux ne puissent pas les tirer ni les saisir.

MESURES DE SÉCURITÉ

- N'utilisez pas le moniteur dans un endroit où il y a beaucoup de poussières, où le degré d'humidité est élevé, ou encore là où il pourrait se trouver en contact avec de l'huile ou de la vapeur. Ne l'utilisez pas non plus dans un environnement contenant des gaz corrosifs (dioxyde de soufre, sulfure d'hydrogène, dioxyde d'azote, chlore, ammoniac, ozone, etc.). Cela pourrait provoquer un début d'incendie.
- Assurez-vous que le moniteur ne se trouve pas en contact avec de l'eau ou d'autres fluides. Assurez-vous qu'aucun objet tel que des agrafes et des trombones ne pénètre dans le moniteur, car cela pourrait provoquer un début d'incendie ou un choc électrique.
- N'installez pas le moniteur au dessus des objets instables ou dans des endroits peu sûrs. Faites attention que le moniteur ne reçoive pas de chocs violents ni de fortes vibrations. Provoquer la chute du moniteur ou le culbuter peut l'endommager.
- N'utilisez pas le moniteur à proximité d'un appareil de chauffage ou dans des endroits où la température est élevée, car cela pourrait conduire à un dégagement excessif de chaleur et provoquer un début d'incendie.
- N'utilisez pas le moniteur dans des endroits exposés directement à la lumière du soleil. Risque de déformation et de dysfonctionnement du coffret de l'appareil si le moniteur est utilisé à la lumière directe du soleil.
- Veillez à nettoyer fréquemment la poussière et les débris accumulés sur les ouvertures de ventilation. L'accumulation de poussière sur les ouvertures de ventilation ou à l'intérieur du moniteur risque d'entraîner une surchauffe, un incendie ou un dysfonctionnement. Faites nettoyer l'intérieur du moniteur par un revendeur SHARP ou un centre de services autorisé.

- La prise d'alimentation secteur doit être installée près de l'équipement et être facilement accessible.
- Ne faites pas fonctionner l'écran avec un objet rigide ou pointu tel qu'un ongle ou un crayon.

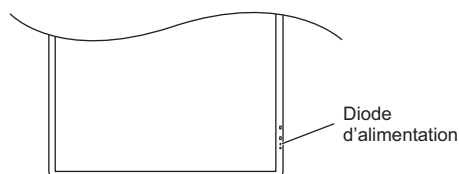
Le cordon d'alimentation

- Utilisez seulement le cordon d'alimentation fourni avec le moniteur.
- N'endommagez pas le cordon d'alimentation, ne déposez pas d'objets lourds sur le cordon d'alimentation, ne tirez pas dessus et ne le pliez pas de manière excessive. De même, n'ajoutez pas de rallonges. Tout endommagement du cordon d'alimentation peut provoquer un début d'incendie ou un choc électrique.
- Ne branchez pas le cordon d'alimentation sur une prise multiple. Ajouter une rallonge peut entraîner une surchauffe et provoquer un début d'incendie.
- Ne débranchez pas ni ne branchez la prise d'alimentation avec des mains humides. En ce faisant, vous risquez un choc électrique.
- Débranchez le cordon d'alimentation si l'équipement n'est pas utilisé pendant une longue période.
- Ne tentez pas de réparer le cordon d'alimentation s'il est coupé ou s'il ne fonctionne pas correctement. Veuillez prendre contact avec le service après vente et suivre ses recommandations.



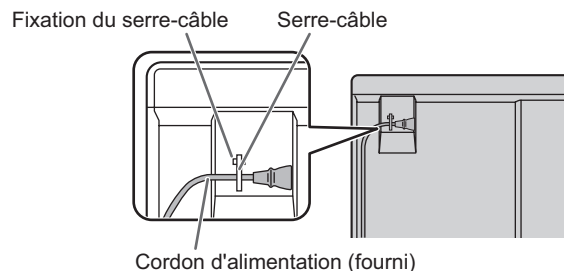
PRÉCAUTIONS POUR LE MONTAGE

- Ce produit est destiné à être utilisé en intérieur.
- Un support de montage conforme aux spécifications VESA est nécessaire.
- Comme le moniteur est lourd, consultez votre revendeur avant l'installation, le démontage ou le déplacement du moniteur.
- Le montage du moniteur sur le mur demande des compétences techniques spéciales et le travail doit être fait par un revendeur agréé par SHARP. Vous ne devez jamais tenter de faire ce travail vous-même. Notre société déclinera toute responsabilité pour les accidents ou blessures causés par un montage incorrect ou par une mauvaise manipulation.
- Utilisez le moniteur perpendiculairement à la surface horizontale. Si nécessaire, vous pouvez incliner le moniteur de 20 degrés vers le haut au maximum.
- Lorsque vous déplacez le moniteur, saisissez-le par les poignées ou sur les côtés, et saisissez le haut et le bas du moniteur. Ne le saisissez pas par l'écran, le coin, le plateau, les haut-parleurs ou le cache des haut-parleurs.
- Ce moniteur doit être utilisé sous une température ambiante entre 5°C et 35°C.
- Faites attention aux températures élevées autour des moniteurs. S'il est difficile de laisser un espace suffisant pour une raison ou pour une autre (installation du moniteur dans une enceinte, par exemple) ou si la température ambiante est susceptible de dépasser la plage de valeurs prévue (de 5 à 35°C), installez un ventilateur ou prenez d'autres mesures appropriées pour maintenir la température ambiante dans la plage de valeurs requise.
- La température de fonctionnement du moniteur peut être différente de celle des accessoires additionnels recommandés par SHARP. Lorsque c'est le cas, veuillez vérifier la température de fonctionnement des accessoires additionnels.
- Ne bloquez pas les ouvertures de ventilation. Si la température dans le moniteur s'élève, ceci pourrait causer un dysfonctionnement.
- Ne placez le moniteur sur un équipement qui dégage de la chaleur.
- Respectez la condition suivante quand vous installez le moniteur dans la direction verticale. Le non respect de cette condition peut causer des dysfonctionnements.
 - Installez le moniteur de manière que la diode d'alimentation soit située en bas.

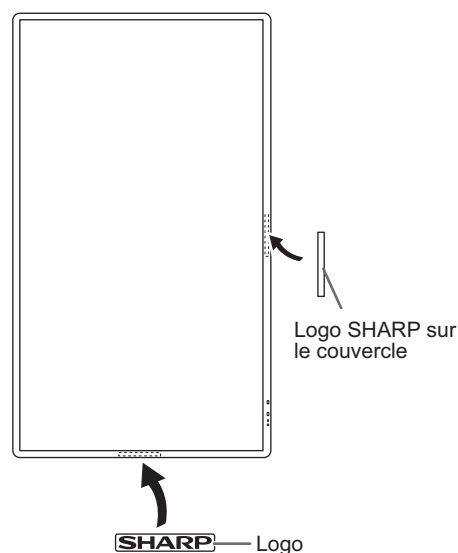


- Réglez le PORTRAIT/LANDSCAPE INSTALL <INSTALL. PORTRAIT/PAYSAGE> sur PORTRAIT dans le menu MONITOR <MONITEUR>. (Voir le MODE D'EMPLOI.)

- Veillez à accrocher le cordon d'alimentation (fourni) sur la fixation du serre-câble située à l'aide du serre-câble. Lorsque vous accrochez le cordon d'alimentation, veillez à ne pas exercer une force excessive sur la borne du cordon d'alimentation. Ne pliez pas excessivement le cordon d'alimentation.

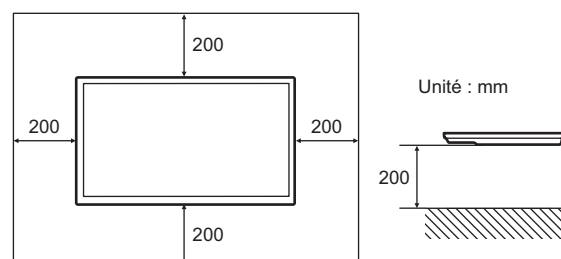


- Utilisez l'autocollant vertical quand vous installez le moniteur dans une direction verticale.



Installation à l'horizontale

- Lorsque vous utilisez le moniteur à plat sur une surface (lorsque le moniteur est incliné de plus de 20 degrés vers le haut depuis la position perpendiculaire par rapport à une surface plane), contactez un revendeur agréé par SHARP car il existe des conditions de montage spécifiques. Respecter les consignes suivantes. Le non-respect des consignes qui suivent peut être responsable d'un mauvais fonctionnement.
 - Réglez HORIZONTAL INSTALLATION <INSTALLATION PAYSAGE> dans le menu MONITOR <MONITEUR> sur UPWARD <VERS LE HAUT>. (Voir le MODE D'EMPLOI.)
 - Utiliser le moniteur à la température ambiante, dans une plage de 5° C à 30° C. Laisser un espace libre d'au moins 200 mm entre le moniteur et le plancher ou toute autre surface de montage et les objets environnants pour éviter une accumulation de chaleur à l'intérieur. S'il s'avère difficile de laisser un espace suffisant ou si la température ambiante risque de se situer en dehors de la plage 5° C à 30° C, installez un ventilateur ou prenez d'autres mesures pour maintenir la température ambiante dans les limites de la plage requise.



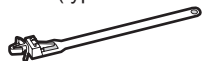
- Ne pas appuyer trop fort sur l'écran LCD ou lui faire subir des chocs.



Composants fournis

Si des composants venaient à manquer, veuillez contacter votre revendeur.

- Moniteur à cristaux liquides : 1
- Télécommande : 1
- Serre-câble (type d'insertion) : 4



- Serre-câble : 3



- Cordon d'alimentation : 1
- Pile de la télécommande (R-3 (format "AAA")) : 2

- CD-ROM (Utility Disk) : 1
- Licence du SHARP Display Connect : 1
- Manuel d'Installation (ce manuel) : 1
- Stylet (pour écran tactile capacitif) : 1
- Adaptateur de stylet : 1
- Pointe du stylet (pour écran tactile capacitif) : 2
- Pile de stylet (LR-03 (format "AAA")) : 1
- Plateau : 1
- Cache de haut-parleur : 2
- Câble USB : 1

- Rallonge USB : 1
 - Câble de conversion RS-232C (mini prise 3,5 mm) : 1
 - Gomme (pour écran tactile capacitif) : 1
 - Support de la caméra : 1
 - Vis de la caméra (filetage en 2,5 cm) : 1
 - Vis de fixation du cache de haut-parleur (M3)/ Vis de la support de la caméra (M3) : 6
 - Vis de l'adaptateur de stylet (vis de butée, M3) : 1
 - Autocollant vertical (Logo) : 1
 - Logo SHARP sur le couvercle : 1
- Placez cet autocollant sur le logo SHARP pour le couvrir.

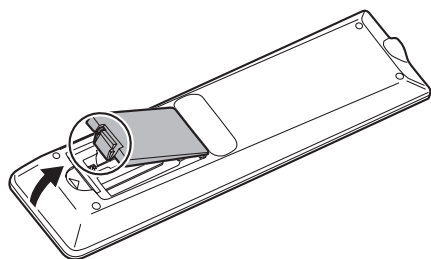
- * SHARP Corporation détient les droits d'auteur du programme de l'Utility Disk. Veuillez ne pas le reproduire sans autorisation de la société.
- * Pensez à votre environnement !
Ne pas jeter les piles avec les ordures ménagères, exige un traitement spécial.

FRANÇAIS

Préparation de la télécommande et du stylet

Mise en place des piles

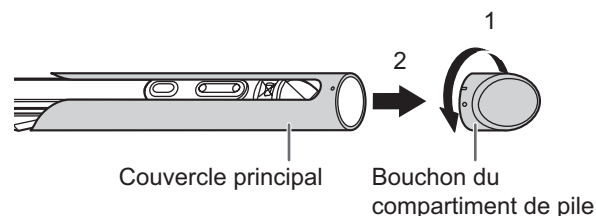
1. Placer votre doigt sur la pièce marquée d'un ▲, puis tirer pour enlever le couvercle.



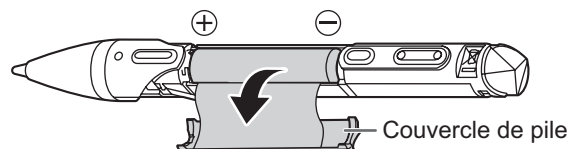
2. Reportez-vous aux instructions dans le compartiment et insérez les piles fournies (2 piles du format R-03, ou "AAA") avec leurs pôles positifs (+) et négatifs (-) orientés correctement.
3. Refermer le capot.

Insertion de la pile

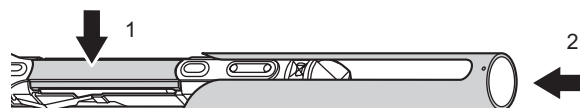
1. Retirez le bouchon du compartiment de pile et le couvercle principal.



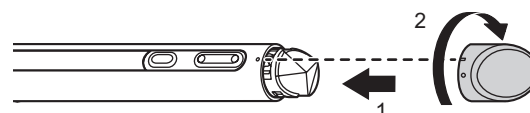
2. Ouvrez le couvercle de pile et insérez la pile fournie (LR-03 (format "AAA") x 1) dans le stylet. Vérifiez les repères "+" et "-" à l'intérieur du stylet et orientez correctement la pile.



3. Remplacez le couvercle de pile et le couvercle principal. Tout en appuyant sur le couvercle de pile, remplacez le couvercle principal.

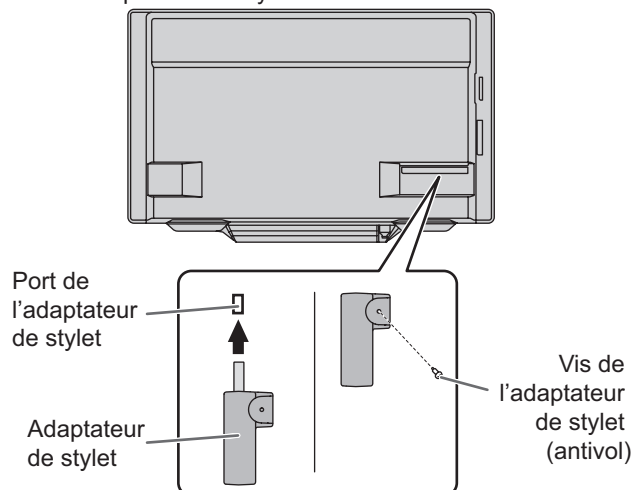


4. Remplacez le bouchon du compartiment de pile.



Connexion de l'adaptateur de stylet

Pour utiliser le stylet, insérez l'adaptateur de stylet dans le port de l'adaptateur de stylet sur le moniteur.



Conseils

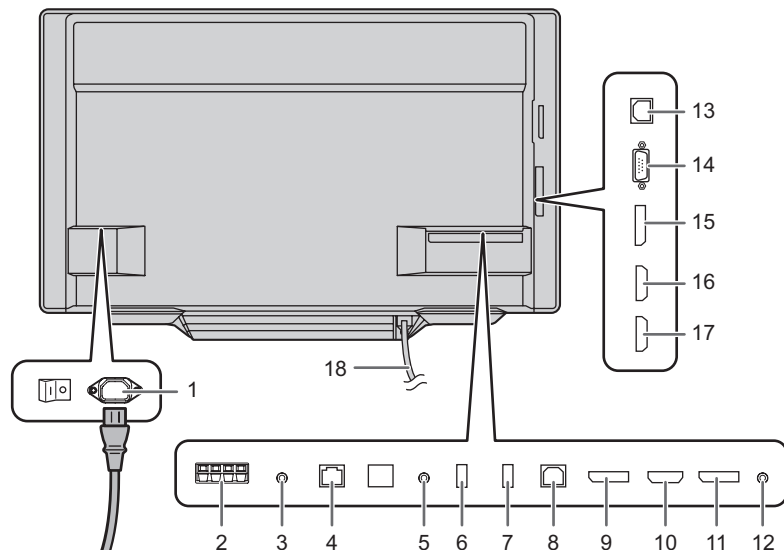
- Pour utiliser un stylet optionnel avec le moniteur, il doit être enregistré dans l'adaptateur de stylet. (appairage)
Pour plus de détails, reportez-vous au Mode d'emploi de le Touch pen Management Tool.



Connexions

! Attention

- Veillez à bien mettre hors tension l'interrupteur principal puis débranchez la prise de l'alimentation secteur avant de connecter ou de déconnecter les câbles. Lisez également le manuel de l'équipement à connecter.
- Veillez à ne pas confondre la borne d'entrée avec la borne de sortie quand vous connectez les câbles. En confondant les câbles branchés aux bornes d'entrée et de sortie, vous pouvez causer des dysfonctionnements et d'autres problèmes.



Vers la prise d'alimentation secteur

1. Borne d'entrée secteur
2. Bornes du haut-parleur externe
3. Borne de sortie audio
4. Borne LAN
5. Borne d'entrée RS-232C
6. Port de l'adaptateur de stylet
7. Port USB
8. Port USB 1 (pour écran tactile)
9. Borne de sortie DisplayPort
10. Borne d'entrée HDMI1
11. Borne d'entrée DisplayPort1
12. Borne d'entrée audio
13. Port USB 2 (pour écran tactile)
14. Borne d'entrée D-sub
15. Borne d'entrée DisplayPort2
16. Borne d'entrée HDMI2
17. Borne d'entrée HDMI3
18. Câble USB

Pour utiliser le port USB (pour périphériques USB) (compatible USB 2.0) à l'avant du plateau, branchez le câble USB à le port USB de l'ordinateur. (L'écran tactile doit être connecté séparément.)

Conseils

- Sélectionnez la borne d'entrée audio à utiliser dans chaque mode d'entrée dans le sous-menu AUDIO SELECT <SÉLECTION ENTRÉE AUDIO> du menu SETUP <INSTALLATION>. Les réglages par défaut sont indiqués ci-dessous.

Mode d'entrée	Borne d'entrée audio (paramètre d'origine)
HDMI1	Borne d'entrée HDMI1
HDMI2	Borne d'entrée HDMI2
HDMI3	Borne d'entrée HDMI3

Mode d'entrée	Borne d'entrée audio (paramètre d'origine)
DisplayPort1	Borne d'entrée DisplayPort1
DisplayPort2	Borne d'entrée DisplayPort2
D-SUB	Borne d'entrée audio

- Pour utiliser l'écran tactile, vous devez connecter l'écran tactile à l'ordinateur et installer le Touch pen Management Tool et le Pen Software sur l'ordinateur à partir du CD-ROM fourni. Une fois le Information Display Downloader installé, vous pouvez consulter et télécharger les dernières versions des logiciels. Pour installer le logiciel, reportez-vous au manuel de chacun.
- Le port USB varie en fonction de la borne connectée à l'ordinateur.

Borne d'entrée DisplayPort1 / Borne d'entrée HDMI1	Port USB 1 (pour écran tactile)
Borne d'entrée D-sub / Borne d'entrée DisplayPort2 / Borne d'entrée HDMI2 / Borne d'entrée HDMI3	Port USB 2 (pour écran tactile)

(Paramètre d'origine. Peut être modifié dans TOUCH INPUT SELECT <SÉLECT. ENTRÉE TACTILE> dans le menu SETUP <INSTALLATION>.)

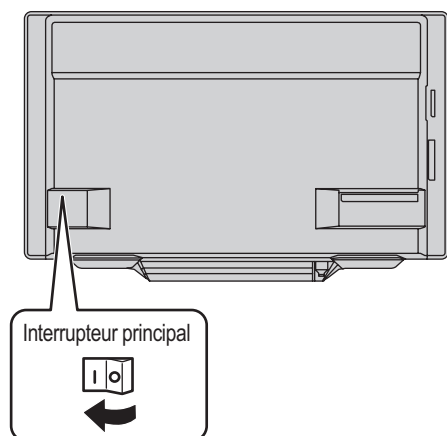
- Les programmes de configuration de SHARP Display Connect et de Touch Viewer peuvent être téléchargés à l'aide de Information Display Downloader.
- Les termes HDMI et HDMI High-Definition Multimedia Interface, de même que le logo HDMI sont des marques commerciales ou des marques déposées de HDMI Licensing Administrator, Inc. aux États-Unis et dans d'autres pays.
- DisplayPort est une marque déposée de Video Electronics Standards Association.
- Adobe, Acrobat et Acrobat Reader sont des marques de commerce ou des marques déposées de la société Adobe Systems Incorporated aux États-Unis et/ou dans d'autres pays.
- Toutes les autres marques et les noms de produits sont des marques commerciales ou des marques déposées par les compagnies respectives.

Mise sous tension et hors tension

! Attention

- Mettez sous tension le moniteur d'abord avant de mettre sous tension l'ordinateur ou l'équipement de lecture.
- Lors de la mise hors tension et de la remise sous tension, ou lorsque vous appuyez sur l'interrupteur principal ou le bouton POWER, attendez toujours au moins 5 secondes. Un court intervalle peut entraîner un dysfonctionnement.

Mise sous tension de l'interrupteur principal

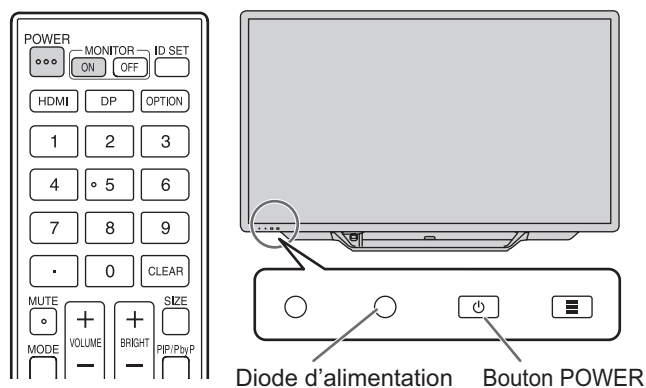


! Attention

- La mise sous/hors tension doit être effectuée à l'aide de l'interrupteur principal. Ne branchez/débranchez pas le cordon d'alimentation ou ne mettez pas le disjoncteur sous/hors tension lorsque l'interrupteur principal est en position marche.
- Pour déconnecter complètement l'alimentation électrique, retirez la fiche principale de la prise.

Mise sous tension

Appuyez sur le bouton POWER ou sur le bouton MONITOR ON pour la mise sous tension.



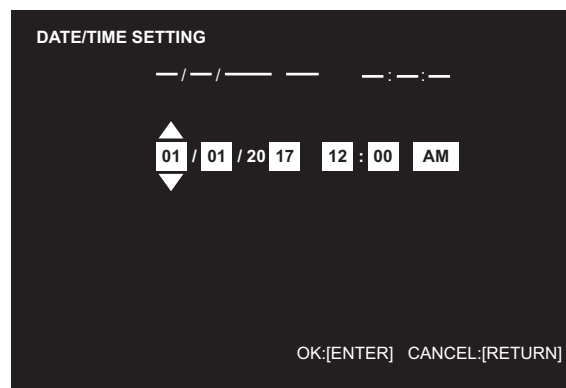
État	État du moniteur
Allumé en bleu	Power en position marche
Allumé en orange	Power en position arrêt (mode veille)
Clignotement en bleu	Mode attente du signal d'entrée

Conseils

- Vous pouvez régler le mode d'entrée qui s'affiche après le démarrage. Réglez sur START INPUT MODE <LANCER LE MODE D'ENTRÉE> dans le menu SETUP <INSTALLATION>.

■ Réglage de la date/heure

- Si l'heure doit être réglée lorsque le moniteur est mis sous tension pour la première fois, l'écran de réglage de la date/heure apparaît. Réglez la date et l'heure.



- (1) Appuyez sur le bouton ◀ ou ▶ pour sélectionner la date et l'heure, puis appuyez sur le bouton ▲ ou ▼ pour changer les valeurs numériques.
 - (2) Appuyez sur le bouton ENTER.
- Assurez-vous que la date et l'heure sont réglées.
 - L'écran de réglage de la date/heure va disparaître automatiquement si aucune opération n'est réalisée pendant environ 15 secondes. La date et l'heure peuvent être réglées en utilisant DATE/TIME SETTING <RÉGLAGE DATE/HEURE> à partir du menu SETUP <INSTALLATION> lorsque l'écran de réglage de la date/heure disparaît.

Conseils

- Réglez la date dans l'ordre "Mois/Jour/Année".
- Réglez l'heure sur la base de 12 heures.
- L'horloge est alimentée par la batterie interne.
- Si vous avez déjà réglé l'heure, mais que l'écran de réglage de la date/de l'heure apparaît lors de la mise sous tension, alors la batterie est déchargée. Contactez votre revendeur SHARP ou votre centre de services local pour le remplacement de la batterie.
- Durée de vie estimée de la batterie interne : environ 5 ans (selon le fonctionnement du moniteur)
- La batterie initiale a été insérée en usine avant expédition, elle risque donc d'être épuisée avant la fin de sa durée de vie normale.

Mise hors tension

Mise hors tension via les boutons du moniteur

1. **Touchez bouton POWER.**
L'écran de reconnaissance apparaît.
2. **Touchez [OK]**
Mise hors tension. (Mode veille)

Conseils

- Si 15 secondes environ s'écoulent pendant l'affichage de l'écran de reconnaissance, l'appareil est automatiquement mis hors tension.

Mise hors tension via télécommande

1. **Appuyez sur le bouton POWER ou MONITOR OFF.**
Mise hors tension. (Mode veille)

Caractéristiques

Modèle	PN-L705H
Alimentation	CA 100 V - 240 V, 3,2 A, 50/60 Hz
Température de fonctionnement *	5°C à 35°C
Hygrométrie de fonctionnement	20 % à 80 % (sans condensation)
Consommation électrique	XX W
Dimensions (à l'exclusion des éléments qui dépassent)	(mm) Environ XX (L) x XX (P) x XX (H)
Poids	(kg) Environ XX

* Lorsque vous utilisez le moniteur à plat sur une surface (lorsque le moniteur est incliné de plus de 20 degrés vers le haut depuis la position perpendiculaire par rapport à une surface plane), utilisez le moniteur à une température comprise entre 5 °C et 30 °C. La température de fonctionnement du moniteur peut être différente de celle des accessoires additionnels recommandés par SHARP. Lorsque c'est le cas, veuillez vérifier la température de fonctionnement des accessoires additionnels.

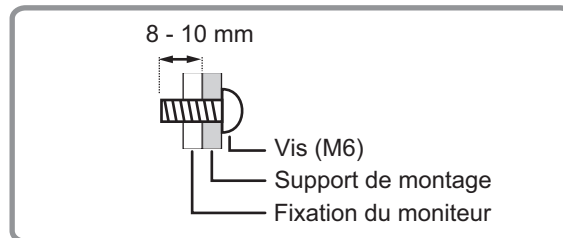
SHARP se réserve le droit d'apporter sans préavis des modifications à la présentation et aux caractéristiques des appareils afin d'amélioration. Les valeurs indiquées dans ce document sont les valeurs nominales des appareils de série mais de légères différences peuvent être constatées d'un appareil à l'autre.

Précautions pour le montage (À l'attention des revendeurs et techniciens SHARP)

- L'installation, le démontage ou le déplacement du moniteur doit être fait par 4 personnes ou plus.
- Veillez à utiliser un support mural conçu ou prévu pour la fixation du moniteur.
- Ce moniteur est prévu pour être installé sur un mur ou un pilier en béton. Un travail de renforcement pourrait s'avérer nécessaire pour certains matériaux tels que le plâtre, un mince panneau de plastique ou le bois avant de commencer l'installation.

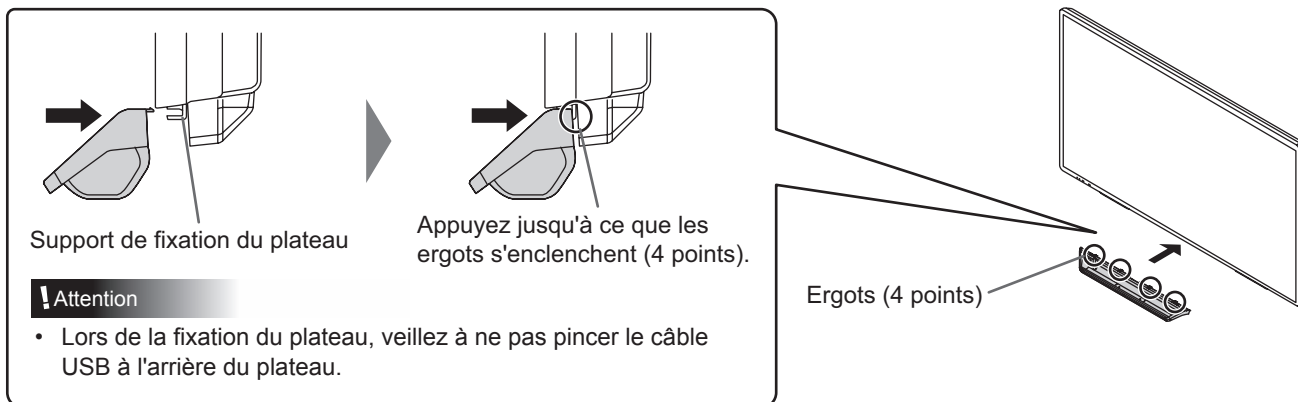
Le mur sur lequel ce moniteur et le support doivent être installés doit pouvoir supporter, au moins, 4 fois son poids ou davantage. Installez de la manière qui convient le mieux en fonction du matériau et de la structure.

- Pour fixer un support de montage compatible avec VESA, utilisez des vis M6 de 8 mm à 10 mm plus longues que l'épaisseur du support de montage.

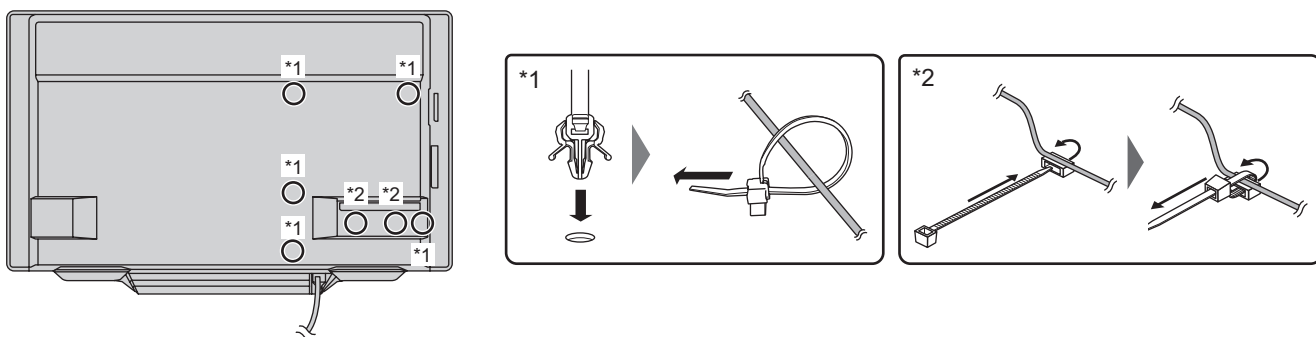


- N'utilisez pas de tournevis à percussion.
- Après le montage, assurez-vous que le moniteur est bien fixé au mur ou au support, sans risque de relâche.
- N'utilisez pas de trous de vis autres que les trous standard VESA pour l'installation.
- Lorsque vous déplacez le moniteur, saisissez-le par les poignées ou sur les côtés, et saisissez le haut et le bas du moniteur. Ne le saisissez pas par l'écran, le coin, le plateau, les haut-parleurs ou le cache des haut-parleurs.
- Si vous devez poser temporairement le moniteur sur une table ou une autre surface pendant l'installation, étalez un chiffon doux épais sur la table afin d'éviter d'endommager l'écran et la table.
- Avant de remballer ou de ranger le moniteur, retirez le plateau et les caches des haut-parleurs.
- Lorsque vous utilisez le moniteur à plat sur une surface (lorsque le moniteur est incliné de plus de 20 degrés vers le haut depuis la position perpendiculaire par rapport à une surface plane), contactez un revendeur agréé par SHARP car il existe des conditions de montage spécifiques.

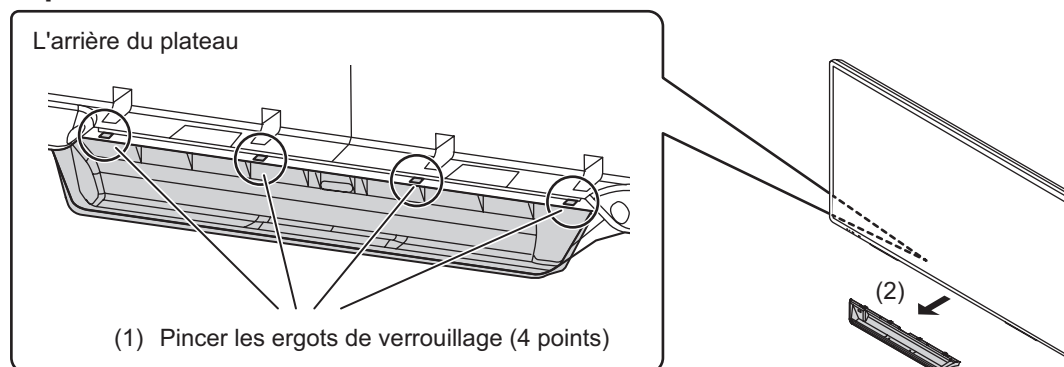
■ Fixation du plateau



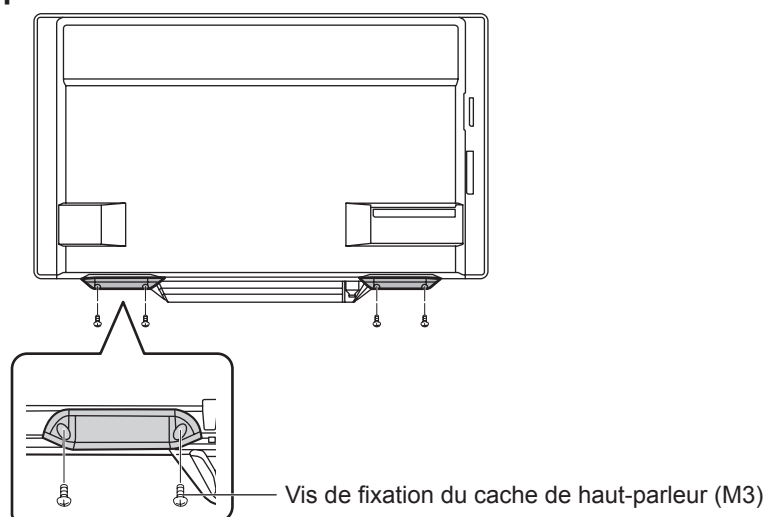
Le câble USB à l'arrière du plateau peut être fixé à l'aide du serre-câbles à l'arrière du moniteur.



■Retrait du plateau



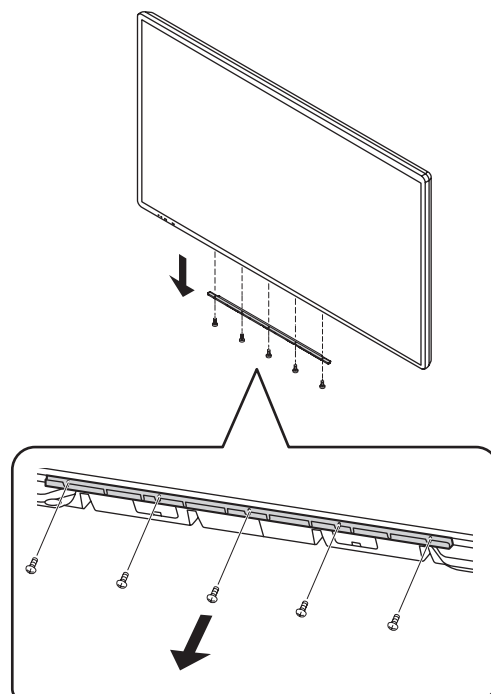
■Fixation du cache de haut-parleur



Si vous prévoyez d'utiliser le moniteur avec l'orientation verticale, le cache de haut-parleur n'est pas utilisé.

■Retrait de la support de fixation du plateau

Si vous prévoyez d'utiliser le moniteur avec l'orientation verticale ou que le plateau ne vous sera pas nécessaire, retirez la support de fixation du plateau.





INFORMACIÓN IMPORTANTE	1	Preparación de la Unidad de control remoto y el	
ESTIMADO CLIENTE DE SHARP	1	Lápiz táctil	5
PRECAUCIONES DE SEGURIDAD	2	Conexiones	6
INSTRUCCIONES DE SEGURIDAD	3	Encendido/apagado	7
PRECAUCIONES DE MONTAJE	4	Especificaciones	8
Componentes suministrados	5	Precauciones de montaje	
		(para distribuidores y técnicos de servicio de SHARP) ...	9

Lea los manuales que se encuentran en el CD-ROM provisto. (Se necesita Adobe Acrobat Reader para ver los manuales.)

INFORMACIÓN IMPORTANTE

ADVERTENCIA: PARA REDUCIR EL RIESGO DE INCENDIO O DESCARGAS ELÉCTRICAS, NO EXPONGA ESTE PRODUCTO A LA LLUVIA NI A LA HUMEDAD.

	<div style="border: 1px solid black; padding: 5px;"> <p>PRECAUCIÓN</p> <p>RIESGO DE DESCARGAS ELÉCTRICAS NO ABRIR</p> </div>		<p>El símbolo del rayo con cabeza de flecha dentro de un triángulo está concebido para avisar al usuario de la presencia de "tensión peligrosa" sin aislamiento en el interior del producto que podría ser de magnitud suficiente para constituir un riesgo de descargas eléctricas a las personas.</p>
<p>PRECAUCIÓN: PARA REDUCIR EL RIESGO DE DESCARGAS ELÉCTRICAS, NO RETIRE LA TAPA. EN EL INTERIOR NO HAY PIEZAS QUE EL USUARIO PUEDA REPARAR. SOLICITE CUALQUIER REPARACIÓN A UN TÉCNICO DE SERVICIO CALIFICADO.</p>			<p>El símbolo de exclamación dentro de un triángulo está concebido para avisar al usuario de la presencia de instrucciones importantes de uso y mantenimiento (servicio) en la documentación que acompaña al producto.</p>

ADVERTENCIA:

La normativa de la FCC establece que cualquier cambio o modificación no autorizados en este equipo y no aprobados expresamente por el fabricante podrían anular el derecho del usuario a utilizar el equipo.

NOTA:

Este equipo ha sido probado y es conforme a los límites para dispositivos digitales de la Clase A, de acuerdo con la Parte 15 de la normativa de la FCC. Dichos límites están diseñados para proporcionar una protección razonable frente a interferencias nocivas cuando se utilice el equipo en un entorno comercial. Este equipo genera, utiliza y puede irradiar energía de radiofrecuencia y, si no se instala y usa de acuerdo con el manual de instrucciones, puede causar interferencias molestas en las comunicaciones de radio. El empleo de este equipo en zonas residenciales puede provocar interferencias molestas, en cuyo caso el usuario deberá corregir dichas interferencias por su cuenta.

EE.UU. SÓLO

La operación de este equipo está sujeta a las siguientes dos condiciones: (1) es posible que este equipo o dispositivo no cause interferencia perjudicial y (2) este equipo o dispositivo debe aceptar cualquier interferencia, incluyendo la que pueda causar su operación no deseada.

ESTIMADO CLIENTE DE SHARP

Gracias por adquirir un producto LCD de SHARP. Para garantizar la seguridad y muchos años de funcionamiento sin problemas, lea atentamente las Precauciones de seguridad antes de utilizar este producto.

PRECAUCIONES DE SEGURIDAD

La electricidad se emplea para muchas funciones útiles pero también puede causar lesiones personales y daños en la propiedad si se manipula de forma inadecuada. Este producto se ha diseñado y fabricado poniendo el máximo énfasis en la seguridad. No obstante, el uso inadecuado podría tener como resultado descargas eléctricas y/o incendios. Para evitar peligros potenciales, observe las siguientes instrucciones cuando instale, utilice y limpie el producto. Para garantizar su seguridad y prolongar la vida de servicio de su producto de LCD, lea atentamente las siguientes precauciones antes de usar el producto.

1. Lea las instrucciones — Todas las instrucciones operativas deberán leerse y comprenderse antes de utilizar el producto.
2. Mantenga este manual en un lugar seguro — Estas instrucciones de seguridad y operativas deberán guardarse en un lugar seguro para referencia en el futuro.
3. Tenga en cuenta las advertencias — Todas las advertencias e instrucciones del producto deberán observarse estrictamente.
4. Respete las instrucciones — Deberán respetarse todas las instrucciones operativas.
5. Limpieza — Desenchufe el cable de alimentación de la toma de corriente antes de limpiar el producto. Utilice un paño seco para limpiar el producto. No emplee limpiadores líquidos ni aerosoles. No utilice paños sucios. Si lo hace puede dañar el producto.
6. Accesorios — No utilice accesorios no recomendados por el fabricante. El empleo de accesorios inadecuados podría provocar accidentes.
7. Agua y humedad — No utilice el producto cerca del agua. No instale este producto en lugares donde puedan producirse salpicaduras de agua. Preste especial atención a equipos que drenen agua, por ejemplo los de aire acondicionado.
8. Ventilación — Los respiraderos y otras ranuras de la caja están diseñados para ventilación. No cubra ni bloquee dichos respiraderos y ranuras, ya que la ventilación insuficiente podría provocar sobrecalentamiento y/o acortar la vida operativa del producto. No coloque el producto sobre un sofá, una alfombra u otras superficies similares ya que se podrían bloquear las ranuras de ventilación. No coloque el producto en un lugar cerrado como, por ejemplo, una librería o una estantería, a menos que se proporcione una ventilación adecuada o se respeten las instrucciones del fabricante.
9. Protección del cable de alimentación — Los cables de alimentación deberán ubicarse adecuadamente para evitar que las personas puedan tropezar con ellos o que los objetos puedan descansar sobre éstos.
10. La pantalla usada en este producto está hecha de vidrio. Consiguientemente, podría romperse si el producto cae al suelo o recibe un golpe. Tenga cuidado de no herirse con pedazos de vidrio roto en caso que se rompa la pantalla.
11. Sobrecarga — No sobrecargue las tomas de corriente ni los cables alargadores o regletas. La sobrecarga podría provocar incendios o descargas eléctricas.
12. Introducción de objetos y líquidos — No inserte nunca objetos en el producto a través de los respiraderos o las ranuras de ventilación. El producto tiene altas tensiones en su interior y la inserción de objetos podría provocar descargas eléctricas y/o cortocircuitar los componentes internos.
Por la misma razón, no derrame agua o líquidos sobre el producto.
13. Servicio — No intente reparar usted mismo el producto. La retirada de las tapas podría exponerle a alto voltaje y otras circunstancias peligrosas. Solicite cualquier reparación a un técnico de servicio calificado.
14. Reparación — Si se produjera cualquiera de las circunstancias siguientes, desenchufe el cable de alimentación de la toma de corriente y solicite la reparación a un técnico de servicio calificado.
 - a. Cuando el cable de alimentación o el enchufe esté dañado.
 - b. Cuando se haya derramado un líquido sobre el producto o hayan caído objetos al interior del producto.
 - c. Cuando se haya expuesto el producto a la lluvia o al agua.
 - d. Cuando el producto no funcione correctamente según lo descrito en las instrucciones operativas. No toque ningún control aparte de los descritos en las instrucciones de uso. El ajuste inadecuado de controles no descritos en las instrucciones podría provocar daños, lo que a menudo requiere un trabajo importante de ajuste por parte de un técnico calificado.
 - e. Cuando el producto haya caído al suelo o se haya dañado.
 - f. Cuando el producto presente un estado anormal. Cualquier anomalía perceptible en el producto indicará que éste necesita servicio.
15. Repuestos — En caso de que el producto necesite repuestos, asegúrese de que el técnico de servicio utiliza las piezas de sustitución especificadas por el fabricante, o unas con las mismas características y rendimiento que las piezas originales. El uso de piezas no autorizadas podría tener como resultado incendio, descargas eléctricas y/u otros daños.
16. Comprobaciones de seguridad — Tras la finalización del trabajo de servicio o reparación, solicite al técnico de servicio que lleve a cabo comprobaciones de seguridad para asegurarse de que el producto se encuentra en perfectas condiciones de funcionamiento.
17. Montaje mural — Cuando monte el producto sobre una pared, asegúrese de instalarlo de acuerdo con el método recomendado por el fabricante.
18. Fuentes de calor — Mantenga el producto alejado de fuentes de calor como pueden ser radiadores, calentadores, estufas y otros productos que generen calor (incluyendo amplificadores).
19. Pilas — El uso incorrecto de las pilas podría causar la explosión o ignición de las mismas. Las fugas de las pilas pueden oxidar el equipo y ensuciarle las manos o la ropa. Para evitar estos problemas, asegúrese de observar las siguientes precauciones:
 - Utilice únicamente las pilas especificadas.
 - Instale las pilas con la polaridad apropiada de las mismas (+) y (-) de acuerdo con las indicaciones del compartimento.
 - No mezcle pilas viejas y nuevas.
 - No mezcle pilas de distintos tipos. Las especificaciones de voltaje de pilas con la misma forma pueden variar.
 - Sustituya las pilas gastadas por unas nuevas a la mayor brevedad.
 - Extraiga las pilas si no piensa utilizar el control remoto durante un período de tiempo prolongado.
 - Si el líquido de pilas con fugas entrara en contacto con la piel o la ropa, lave inmediatamente con agua abundante. Si le entrara en los ojos, láveselos abundantemente sin frotar y acuda inmediatamente al médico. El contacto de líquido de las pilas con los ojos o la ropa podría causar irritación de la piel o daños oculares.



20. El monitor no deberá utilizarse en lugares con riesgos o peligros fatales que pudieran provocar directamente la muerte, lesiones personales, daños físicos graves u otras pérdidas, incluyendo control de reacción nuclear en instalaciones nucleares, sistemas médicos de soporte vital y control de lanzamiento de misiles en sistemas armamentísticos.
21. No permanezca en contacto durante períodos prolongados de tiempo con componentes del producto que se recalienten. Podrían producirse quemaduras de baja temperatura.
22. No modifique este producto.

ADVERTENCIA:

Este es un producto Clase A. En un entorno doméstico este producto puede causar interferencias de radio en cuyo caso será necesario que el usuario adopte las medidas pertinentes.

Un dispositivo de fabricación CLASE I deberá conectarse a una toma de corriente principal con una unión a tierra.

Para mantener la conformidad con la normativa sobre compatibilidad electromagnética (EMC), utilice cables blindados para la conexión a los siguientes terminales: terminal de entrada HDMI, terminal de entrada D-sub, terminales de entrada/salida DisplayPort y terminal de entrada RS-232C.

Si el monitor no se coloca en una ubicación lo suficientemente estable, podría resultar potencialmente peligroso debido al riesgo de caída. Muchas lesiones, especialmente a los niños, pueden evitarse adoptando precauciones sencillas como pueden ser:

- Utilizar dispositivos de fijación como pueden ser soportes de montaje mural recomendados por el fabricante.
- Emplear únicamente muebles que puedan soportar de forma segura el monitor.
- Asegurarse de que el monitor no sobresale del borde del mueble que sirve de apoyo.
- No colocar el monitor sobre muebles altos (por ejemplo, armarios o librerías) sin anclar el mueble y el monitor a un soporte adecuado.
- No colocar los monitores sobre paños u otros materiales ubicados entre el monitor y el mueble de apoyo.
- Educar a los niños sobre los peligros de trepar a los muebles para llegar al monitor o a sus controles.
- Este equipo no es adecuado para su uso en lugares en los que sea probable que los niños puedan estar sin la supervisión de un adulto.

Especialmente para la seguridad de los niños

- No permita que los niños trepen al monitor o jueguen con éste.
- No coloque el monitor sobre muebles que se puedan usar como peldaños, como pueden ser los cajones de una cómoda.
- Recuerde que los niños se pueden agitar mientras ven un programa, especialmente en un monitor en el que las cosas se ven "más grandes que en la vida real". Deberá tenerse cuidado de colocar o instalar el monitor en lugares en los que no se pueda empujar, mover o tirar al suelo.
- Deberá procurarse enrutar todos los cables conectados al monitor de modo que los niños curiosos no puedan tirar de ellos ni agarrarlos.

INSTRUCCIONES DE SEGURIDAD

- No emplee el monitor en lugares con un nivel elevado de polvo o humedad ni donde éste pueda entrar en contacto con aceite o vapor. Tampoco lo utilice en un entorno en el que haya gases corrosivos (dióxido de azufre, sulfuro de hidrógeno, dióxido de nitrógeno, cloro, amoníaco, ozono, etc.), ya que esto podría provocar un incendio.
- Asegúrese de que el monitor no entre en contacto con agua ni otros líquidos. Asegúrese de no introducir en el monitor objetos como pueden ser clips o chinchetas, ya que esto podría causar incendios o descargas eléctricas.
- No coloque el monitor encima de objetos inestables ni en lugares inseguros. No permita que el monitor reciba golpes fuertes ni que vibre demasiado. La caída o pérdida de equilibrio del monitor podría dañarlo.
- No utilice el monitor cerca de aparatos de calefacción ni en lugares donde puedan existir temperaturas elevadas, ya que esto podría conducir a la generación de calor excesivo y provocar un incendio.
- No utilice el monitor en lugares en los que pueda estar expuesto a la luz solar directa. Existe riesgo de que la caja se deforme o de que se produzca un fallo de funcionamiento si se utiliza el monitor bajo la luz solar directa.
- Asegúrese de limpiar periódicamente el polvo y la suciedad adheridos a los respiraderos. Si se acumulara polvo en los respiraderos o en el interior del monitor, podría producirse recalentamiento excesivo, un incendio o fallos de funcionamiento. Solicite la limpieza del interior del monitor a un distribuidor o servicio técnico autorizado de SHARP.
- La toma de corriente deberá estar instalada cerca del equipo y ser accesible fácilmente.
- No use la pantalla con un objeto puntiagudo o duro como una uña o lápiz.

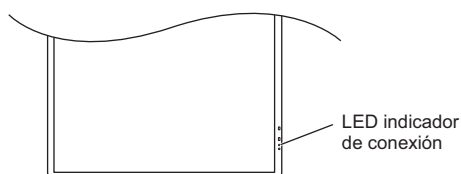
Cable de alimentación

- Emplee únicamente el cable de alimentación suministrado con el monitor.
- No dañe el cable de alimentación ni coloque objetos pesados sobre el mismo. No lo estire ni lo doble excesivamente. Tampoco añada cables alargadores ni regletas. Si el cable se daña, podrían producirse incendios o descargas eléctricas.
- No utilice el cable de alimentación con una regleta. La adición de un cable alargador o una regleta podría causar un incendio por sobrecalentamiento.
- No retire ni inserte el enchufe con las manos mojadas. Podrían producirse descargas eléctricas.
- Desenchufe el cable de alimentación si no piensa utilizar el equipo durante un período de tiempo prolongado.
- No intente reparar el cable de alimentación si éste está roto o no funciona adecuadamente. Solicite cualquier reparación al representante de servicio técnico autorizado.



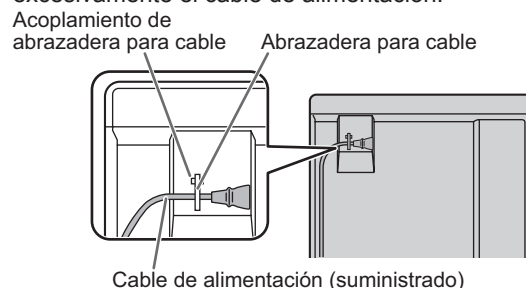
PRECAUCIONES DE MONTAJE

- Este producto es para uso en interiores.
- Se requiere un soporte de montaje en conformidad con las especificaciones VESA.
- Este monitor es pesado. Por consiguiente, consulte a su distribuidor antes de instalar, desinstalar o trasladar el monitor.
- El montaje mural del monitor requiere un soporte especial y el trabajo deberá ser efectuado por un distribuidor autorizado de SHARP. Nunca deberá intentar realizar este trabajo usted mismo. Nuestra empresa no se hace responsable en caso de accidentes o lesiones causados por un montaje o una manipulación inadecuados.
- Utilice el monitor perpendicular a una superficie nivelada. Si fuera necesario, el monitor podrá inclinarse un máximo de 20 grados hacia arriba.
- Cuando traslade este monitor, sosténgalo por las asas o por los lados del monitor, y sujete la parte superior y la parte inferior del monitor. No lo agarre por la pantalla, las esquinas del monitor, la bandeja, el altavoz ni la tapa del altavoz.
- Este monitor deberá utilizarse a una temperatura ambiente de entre 5°C y 35°C.
- Evite altas temperaturas en el área circundante. Si fuera difícil proporcionar suficiente espacio por cualquier razón, como puede ser la instalación del monitor dentro de una carcasa, o si la temperatura ambiente pudiera estar fuera del rango de 5 a 35°C, instale un ventilador o adopte otras medidas para mantener la temperatura ambiente dentro del rango necesario.
- Las condiciones de temperatura podrían cambiar al utilizar el monitor conjuntamente con los equipos opcionales recomendados por SHARP. En dichos casos, compruebe las condiciones de temperatura especificadas por los equipos opcionales.
- No bloquee ninguna ranura de ventilación. Si la temperatura del interior del monitor aumentara, podrían producirse malfuncionamientos.
- No coloque el monitor sobre un dispositivo que genere calor.
- Respete lo siguiente cuando instale el monitor en orientación vertical. El incumplimiento de las siguientes medidas podría provocar malfuncionamientos.
 - Instale el monitor de modo que el LED indicador de conexión quede ubicado en la parte inferior.

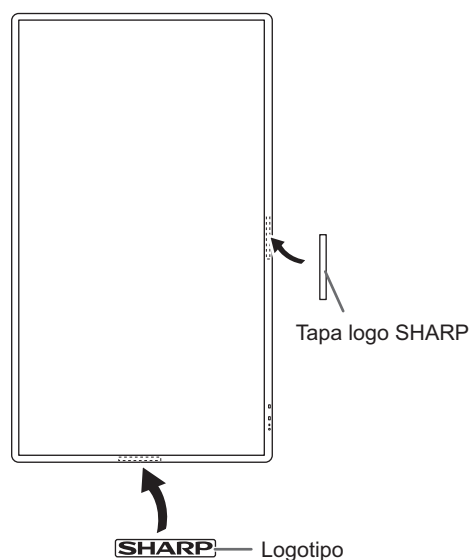


- Establezca la opción PORTRAIT/LANDSCAPE INSTALL <INST. MODO VERTIC./HORIZ.> del menú MONITOR en PORTRAIT <MODO VERTICAL>. (Véase el MANUAL DE INSTRUCCIONES.)

- Asegúrese de apretar el cable de alimentación (suministrado) en el acoplamiento de abrazadera para cable de usando la abrazadera para cable suministrado. Cuando apriete el cable de alimentación, tenga cuidado de dañar el terminal del cable de alimentación. No doble excesivamente el cable de alimentación.

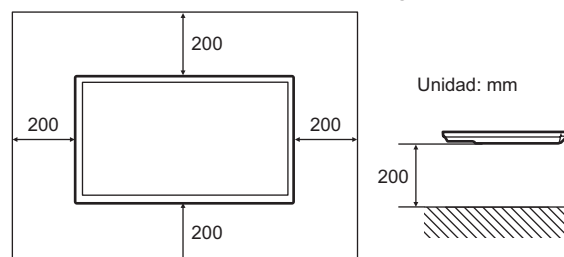


- Utilice la etiqueta vertical suministrada cuando instale el monitor en orientación vertical.



Instalación plana

- Si utiliza el monitor extendido sobre una superficie plana (cuando el monitor está inclinado más de 20 grados hacia arriba desde la perpendicular, en relación a una superficie nivelada), consulta a un distribuidor autorizado de SHARP, ya que existen condiciones específicas de montaje. Observe las siguientes indicaciones. La inobservancia de las siguientes indicaciones puede causar fallos de funcionamiento.
 - Ajuste HORIZONTAL INSTALLATION <INSTALAR MODO HORIZONTAL> en el menú MONITOR a UPWARD <ASCENDENTE>. (Véase el MANUAL DE INSTRUCCIONES.)
 - Utilice el monitor a temperatura ambiente, dentro de un rango de entre 5 °C y 30 °C. Deje un espacio de 200 mm o más entre el monitor y el techo u otras superficies de montaje y los objetos circundantes para evitar que el calor se acumule en el interior. Si resultase difícil dejar un espacio suficiente o si la temperatura ambiente estuviese fuera del rango de entre 5 °C y 30 °C, instale un ventilador o adopte otras medidas para mantener la temperatura ambiente dentro del rango requerido.



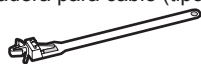
- No presione con fuerza el panel LCD ni lo someta a ningún golpe.



Componentes suministrados

Si falta algunos componentes, póngase en contacto con su distribuidor.

- Monitor de pantalla de cristal líquido: 1
- Control remoto: 1
- Abrazadera para cable (tipo de inserción): 4



- Abrazadera para cable: 3



- Cable de alimentación: 1
- Pila del control remoto (R-3 (tamaño "AAA")): 2

- CD-ROM (Disco de utilidades): 1
- Licencia de SHARP Display Connect: 1
- Manual de Instalación (este manual): 1
- Lápiz táctil (para panel sensible al tacto capacitivo): 1
- Adaptador del lápiz táctil: 1
- Punta de lápiz (para panel sensible al tacto capacitivo): 2
- Pila del lápiz táctil (LR-03 (tamaño "AAA")): 1
- Bandeja: 1
- Tapa del altavoz: 2
- Cable USB: 1

- Cable alargador USB: 1
 - Cable de conversión RS-232C (mini clavija de 3,5 mm): 1
 - Borrador (para panel sensible al tacto capacitivo): 1
 - Soporte para cámara: 1
 - Tornillo para cámara (rosca en pulgadas): 1
 - Tornillos de fijación de la tapa del altavoz (M3)/ Tornillos de soporte para cámara (M3): 6
 - Tornillo para el adaptador del lápiz táctil (antirrobo, M3): 1
 - Etiqueta vertical (Logotipo): 1
 - Tapa logo SHARP: 1
- Coloque esta etiqueta sobre el logotipo de SHARP para tapar el logotipo.

* SHARP Corporation posee los derechos de autor del programa Disco de utilidades. No lo reproduzca sin permiso.

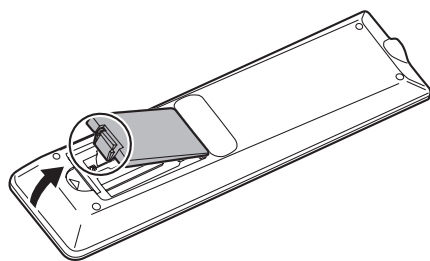
* ¡Para protección medioambiental!

No vierta las pilas en la basura doméstica. Respete la normativa de vertido local.

Preparación de la Unidad de control remoto y el Lápiz táctil

Instalación de las pilas

1. Coloque el dedo en la pieza marcada con ▲, luego separe la cubierta.

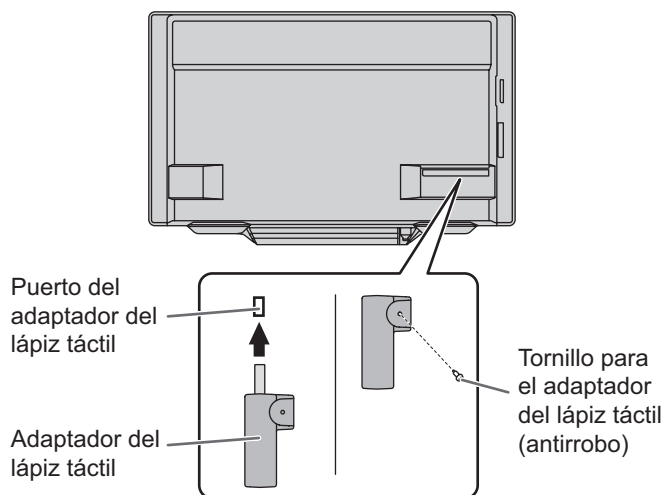


2. Consulte las indicaciones del compartimento y coloque las pilas suministradas (R-03 (tamaño "AAA") x 2) con la polaridad (+) y (-) correcta.

3. Cierre la tapa.

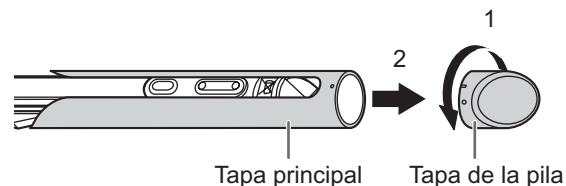
Conexión del adaptador del lápiz táctil

Para usar el lápiz táctil, introduzca el adaptador del lápiz táctil en el puerto del adaptador del lápiz táctil del monitor.



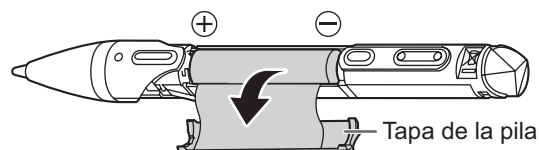
Inserción de la pila

1. Saque la tapa de la pila y la tapa principal.

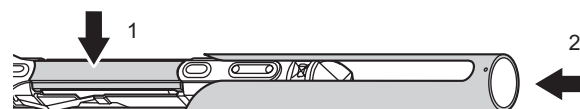


2. Abra la tapa de la pila e introduzca la pila suministrada (LR-03 (tamaño "AAA") x 1) en el lápiz táctil.

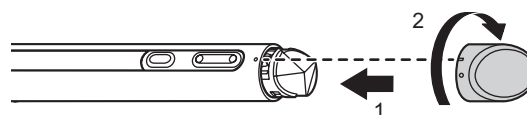
Compruebe las marcas de más (+) y menos (-) del interior del lápiz táctil e introduzca la pila con la orientación correcta.



3. Vuelva a colocar la tapa de la pila y la tapa principal. Mientras presiona la tapa de la pila, vuelva a colocar la tapa principal.



4. Vuelva a colocar la tapa de la pila.



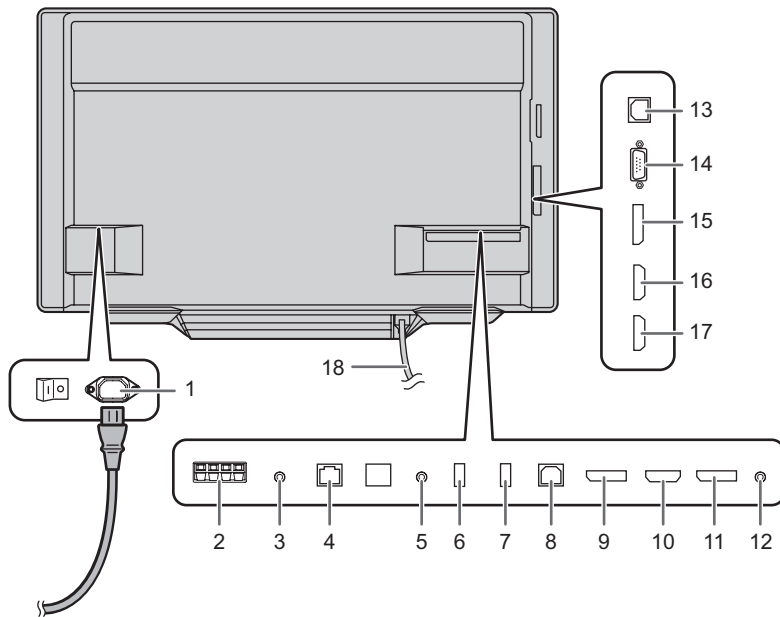
CONSEJOS

- Para usar un lápiz táctil opcional con el monitor, el lápiz táctil debe estar registrado en el adaptador del lápiz táctil (emparejamiento). Si desea más información, consulte el manual de instrucciones de Touch pen Management Tool.

Conexiones

!Precaución

- Asegúrese de apagar el interruptor principal y desconectar el enchufe de la toma de corriente antes de conectar/desconectar los cables. Asimismo, lea el manual del equipo que desea conectar.
- Tenga cuidado de no confundir el terminal de entrada con el terminal de salida al conectar los cables. La inversión accidental de los cables conectados a los terminales de entrada y salida podría causar malfuncionamientos y otros problemas.



Para toma de alimentación

1. Terminal de entrada de corriente
2. Terminales de altavoces externos
3. Terminal de salida de audio
4. Terminal de LAN
5. Terminal de entrada RS-232C
6. Puerto del adaptador del lápiz táctil
7. Puerto USB
8. Puerto USB 1 (para panel sensible al tacto)
9. Terminal de salida DisplayPort
10. Terminal de entrada HDMI1
11. Terminal de entrada DisplayPort1
12. Terminal de entrada Audio
13. Puerto USB 2 (para panel sensible al tacto)
14. Terminal de entrada D-sub
15. Terminal de entrada DisplayPort2
16. Terminal de entrada HDMI2
17. Terminal de entrada HDMI3
18. Cable USB

Para usar el puerto USB (para dispositivo USB) (compatible con 2.0) en el forro de la bandeja, conecte el cable USB al puerto USB del ordenador. (El panel sensible al tacto debe estar conectado por separado.)

CONSEJOS

- Establezca el terminal de entrada de audio que se utilizará en cada modo de entrada en AUDIO SELECT <SELECCIÓN DE AUDIO> en el menú SETUP <INSTALACIÓN>. A continuación se muestran los ajustes de fábrica.

Modo de entrada	Terminal de entrada de audio (ajuste de fábrica)
HDMI1	Terminal de entrada HDMI1
HDMI2	Terminal de entrada HDMI2
HDMI3	Terminal de entrada HDMI3

Modo de entrada	Terminal de entrada de audio (ajuste de fábrica)
DisplayPort1	Terminal de entrada DisplayPort1
DisplayPort2	Terminal de entrada DisplayPort2
D-SUB	Terminal de entrada Audio

- Para usar el panel sensible al tacto, el panel sensible al tacto y el ordenador deben estar conectados y debe instalarse Touch pen Management Tool y Pen Software en el ordenador desde el CD-ROM suministrado. Si está instalada la Information Display Downloader, podrá consultar y descargar las versiones más recientes de los programas de software. Para instalar el software, consulte el manual correspondiente.
- El puerto USB varía según el terminal conectado al ordenador.

Terminal de entrada DisplayPort1/Terminal de entrada HDMI1	Puerto USB 1 (para panel sensible al tacto)
Terminal de entrada D-sub/Terminal de entrada DisplayPort2/ Terminal de entrada HDMI2/Terminal de entrada HDMI3	Puerto USB 2 (para panel sensible al tacto)

(Ajuste de fábrica. Puede cambiarse en TOUCH INPUT SELECT <SELECCIÓN ENTRADA TÁCTIL> en el menú SETUP <INSTALACIÓN>.)

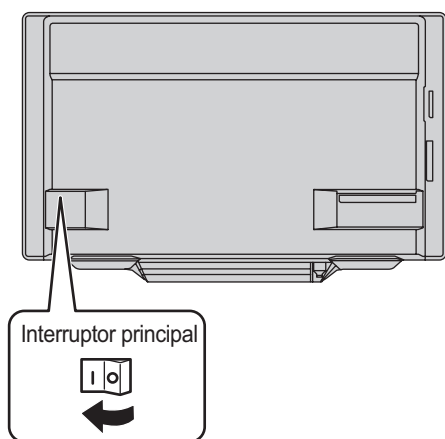
- El programa de instalación de SHARP Display Connect y el programa de instalación de Touch Viewer se pueden descargar mediante la utilidad Information Display Downloader.
- Los términos HDMI y HDMI High-Definition Multimedia Interface, y el logotipo de HDMI son marcas comerciales o marcas comerciales registradas de HDMI Licensing Administrator, Inc. en los Estados Unidos y otros países.
- DisplayPort es una marca registrada de Video Electronics Standards Association.
- Adobe, Acrobat y Acrobat Reader son marcas registradas o comerciales de Adobe Systems Incorporated en los Estados Unidos y/o en otros países.
- Todos los demás nombres de marcas y productos son marcas comerciales o marcas registradas de sus respectivos propietarios.

Encendido/apagado

!Precaución

- Encienda el monitor antes de encender el ordenador o el dispositivo de reproducción.
- Cuando apague el interruptor principal o el botón POWER y lo vuelva a encender, espere siempre 5 segundos como mínimo. Un intervalo demasiado corto podría provocar malfuncionamientos.

Encendido de la alimentación principal

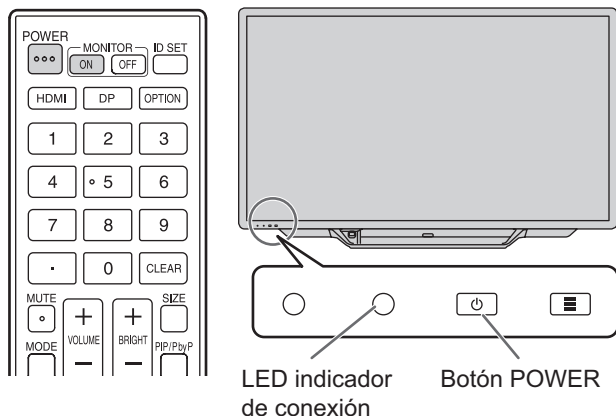


!Precaución

- La alimentación principal deberá encenderse/apagarse con el interruptor principal. No conecte/desconecte el cable de alimentación ni active/desactive el disyuntor mientras el interruptor principal está encendido.
- Para la desconexión eléctrica completa, desconecte el enchufe principal.

Encendido

Presione el botón POWER o el botón MONITOR ON para encender la alimentación.



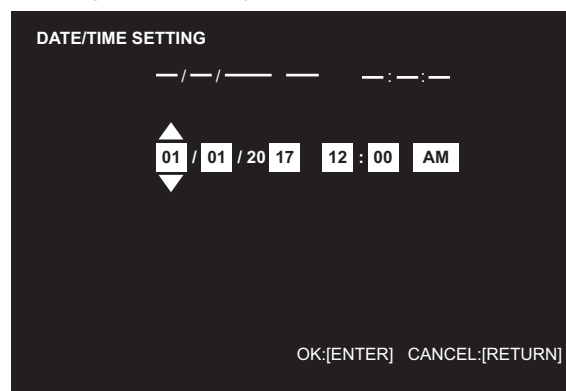
Estado	Estado del monitor
Encendido de azul	Alimentación encendida
Encendido en naranja	Alimentación apagada (modo en espera)
Parpadeo en azul	Modo de espera de señal de entrada

CONSEJOS

- Puede establecer el modo de entrada que aparecerá tras el arranque. Defínalo en START INPUT MODE <INICIAR MODO DE ENTRADA> en el menú SETUP <INSTALACIÓN>.

■Ajuste de fecha y hora

- Si aún no se ha ajustado la hora al encender el monitor por vez primera, aparecerá la pantalla de ajuste de la fecha y la hora. Ajuste la fecha y la hora.



- (1). Pulse el botón ◀ o ▶ para seleccionar la fecha y la hora y pulse el botón ▲ o ▼ para cambiar los valores numéricos.
 - (2). Pulse el botón ENTER.
- Asegúrese de ajustar la fecha y la hora.
 - La pantalla de ajuste de la fecha y la hora se cerrará automáticamente si no se lleva a cabo ninguna operación durante aproximadamente 15 segundos. La fecha y la hora podrán ajustarse utilizando DATE/TIME SETTING <AJUSTE FECHA/HORA> en el menú SETUP <INSTALACIÓN> cuando desaparezca la pantalla de ajuste de la fecha y la hora.

CONSEJOS

- Ajuste la fecha en el orden "Mes/Día/Año".
- Ajuste la hora en el formato de 12 horas.
- El reloj es alimentado por la pila interna.
- Si ya ha ajustado la hora pero aparece la pantalla de ajuste de la fecha y la hora en el encendido, la pila interna podría estar gastada. Póngase en contacto con su distribuidor o servicio técnico de SHARP para obtener ayuda sobre la sustitución de la pila.
- Vida estimada de la pila interna: aproximadamente 5 años (dependiendo del funcionamiento del monitor)
- La pila inicial se ha insertado en el momento de la salida de fábrica del monitor, por lo que podría agotarse antes del tiempo esperado de vida útil.

Apagado

Apagar con los botones del monitor

1. Toque el botón POWER.
La pantalla de reconocimiento aparece.
2. Toque [Aceptar].
Alimentación apagada. (Modo en espera)

CONSEJOS

- Si transcurren unos 15 segundos mientras aparece la pantalla de reconocimiento, la alimentación se apagará automáticamente.

Apagar con el control remoto

1. Presione el botón POWER o el botón MONITOR OFF.
Alimentación apagada. (Modo en espera)

Especificaciones

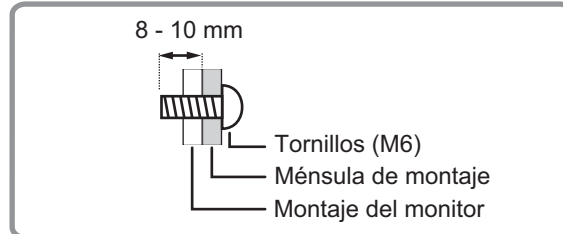
Modelo	PN-L705H
Requisitos de alimentación	100 V - 240 V ca, 3,2 A, 50/60 Hz
Temperatura de funcionamiento *	5°C a 35°C
Humedad de funcionamiento	20% al 80% (sin condensación)
Consumo de energía	XX W
Dimensiones (excluidas las protuberancias)	(mm) Aprox. XX (An) x XX (Pr) x XX (Al)
Peso	(kg) Aprox. XX

* Si utiliza el monitor extendido sobre una superficie plana (cuando el monitor está inclinado más de 20 grados hacia arriba desde la perpendicular, en relación a una superficie nivelada), utilice el monitor a una temperatura de entre 5 °C y 30 °C.
Las condiciones de temperatura podrían cambiar al utilizar la pantalla conjuntamente con los equipos opcionales recomendados por SHARP.
En dichos casos, compruebe las condiciones de temperatura especificadas por los equipos opcionales.

Como parte de la política de mejoras continuas, SHARP se reserva el derecho de realizar cambios en el diseño y especificaciones para la mejora del producto sin previo aviso. Las figuras indicadas que especifican el rendimiento son valores nominales de los aparatos de producción. Puede haber algunas desviaciones de estos valores en los aparatos individuales.

Precauciones de montaje (para distribuidores y técnicos de servicio de SHARP)

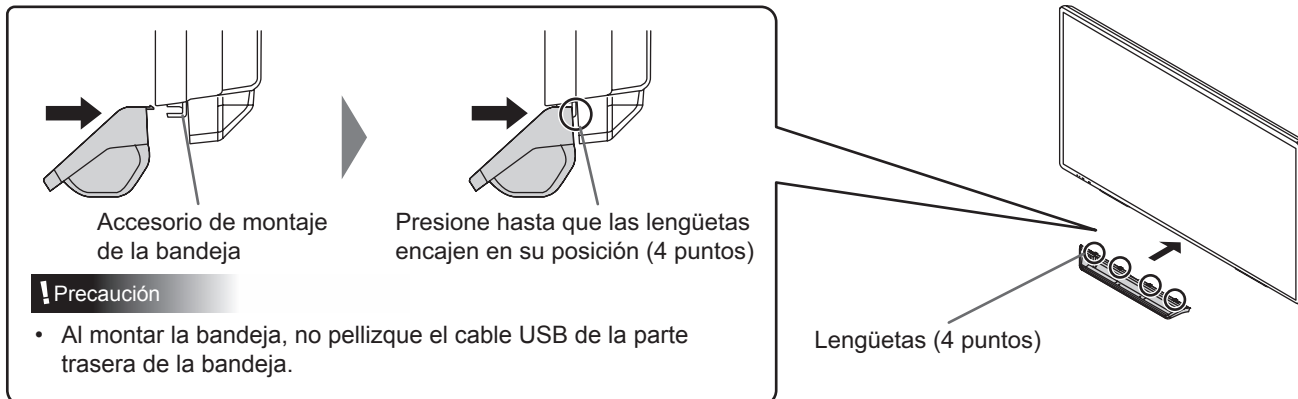
- Cuando instale, desinstale o traslade el monitor, asegúrese de sujetarlo entre 4 personas como mínimo.
- Asegúrese de utilizar un soporte de montaje mural diseñado para la instalación del monitor.
- Este monitor está diseñado para su instalación sobre un muro o pilar de hormigón. Tal vez resulte necesario realizar un trabajo de refuerzo para ciertos materiales como pueden ser yeso, paneles de plástico finos o madera antes de iniciar la instalación. Este monitor y el soporte deberán instalarse en una pared con una resistencia de al menos 4 veces el peso del monitor. Realice la instalación mediante el método más adecuado para el material y la estructura.
- Para colocar una ménsula de montaje compatible con VESA, use tornillos M6 que sean 8 mm a 10 mm más largos que la ménsula de montaje.



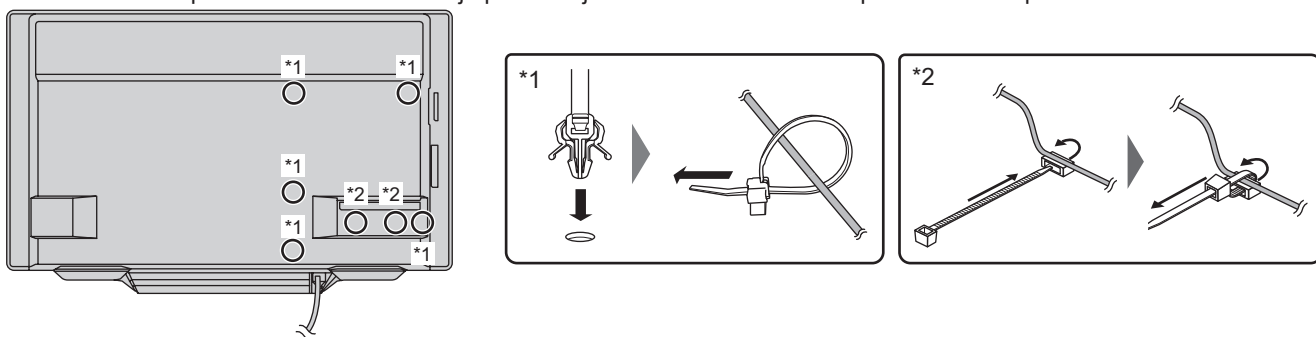
- No utilice un destornillador de impacto.
- Una vez efectuado el montaje, asegúrese de que el monitor está instalado de forma segura y que no se puede aflojar de la pared o el soporte.
- No utilice orificios de tornillos que no sean orificios VESA para la instalación.
- Cuando traslade este monitor, sosténgalo por las asas o por los lados del monitor, y sujete la parte superior y la parte inferior del monitor. No lo agarre por la pantalla, las esquinas del monitor, la bandeja, el altavoz ni la tapa del altavoz.
- Si necesita colocar el monitor provisionalmente sobre una mesa u otra superficie durante la instalación, coloque un paño suave y grueso sobre la mesa para evitar dañar la pantalla y la mesa.
- Antes de volver a embalarlo o retirarlo, extraiga la bandeja y las tapas de los altavoces.
- Si utiliza el monitor extendido sobre una superficie plana (cuando el monitor está inclinado más de 20 grados hacia arriba desde la perpendicular, en relación a una superficie nivelada), consulta a un distribuidor autorizado de SHARP, ya que existen condiciones específicas de montaje.

ESPAÑOL

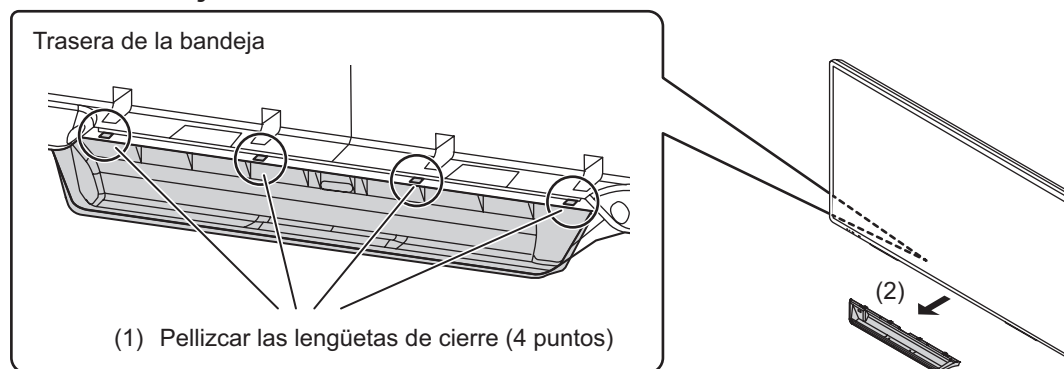
■ Colocación de la bandeja



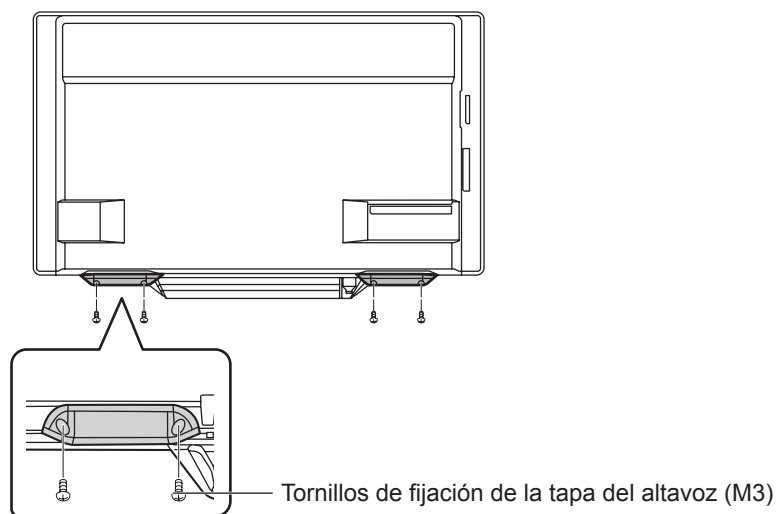
El cable USB de la parte trasera de la bandeja puede sujetarse con la abrazadera para cable a la parte trasera del monitor.



■Retirada de la bandeja



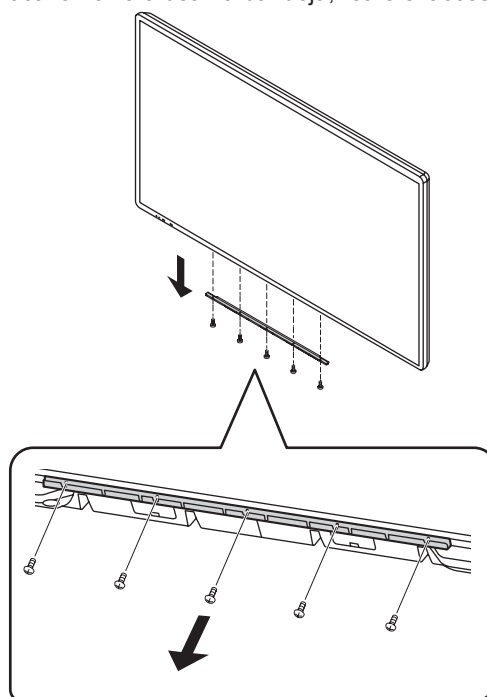
■Colocación de la tapa del altavoz



Si va a usar el monitor en orientación vertical, la tapa del altavoz no se usa.

■Retirada del accesorio de montaje de la bandeja

Si va a usar el monitor en orientación vertical o no va a usar la bandeja, retire el accesorio de montaje de la bandeja.



MEMO

A large, empty rectangular box with rounded corners, intended for writing a memo. The box is centered on the page and occupies most of the vertical space below the 'MEMO' header.

MEMO

A large, empty rectangular box with rounded corners, intended for writing a memo.



SHARP[®]
SHARP CORPORATION

Printed in Japan
Imprimé au Japon
Impreso en Japón
17J DSC1
(1)