

FGV-HXY High Capacity Digital Force Gauges

High Capacity Digital Force Gauges with 180° reversible display & dual labeled keypad for both push, pull applications

The Series FGV-HXY Digital Force Gauges offer an enhanced heavy-duty housing allowing them to be utilized in high capacity tension and compression applications. These instruments are utilized in a variety of applications such as, incoming quality inspection, finished goods testing, R&D or almost any portable or force stand testing requirement.

Models are available in 500 lb or 1000 lb ranges providing necessary performance for high capacity testing.

The 180° reversible display combined with the adjustable force direction and dual labeled keypad enable these units to excel in both compression and tension applications in any direction. FGV models possess onboard statistical calculations and provide fast access to maximum, minimum, average and standard deviation data. Models include the free Toriemon software and USB cable allowing further data analysis on a PC. The FGV-HXY's 1,000 point memory allows for data exporting in real time or after testing is complete. In addition, the RS-232C, USB and analog outputs provide maximum communication flexibility.



**FGV-HXY
with Memory
& Data Output**

Features

- 1000 Hz Sample Rate provides faster sampling producing better resolution and more accurate results
- Ideal for strict tolerances with its high accuracy +/-0.2% F.S.
- Measure and record compression and tension tests. Permits true "push-pull" testing
- 180° Reversible display and dual printed keypad allows usage as a portable gauge or mounted upside down on a test stand
- Included handle attachment aid in testing heavy loads
- 1 million operation load cell with superior overload protection provides a long-life, damage free product
- High-capacity rugged, ergonomic die cast aluminum construction allows usage on production floor
- Variable display response rate aids viewing readings
- Quick retrieval of peak measurement with a single push button in test stand
- Flexible user preference with one button selection of engineering units
- Field calibration through keypad eliminates down time
- On board statistics provides immediate results and analysis of test data
- Dual power capable with rechargeable battery or AC line voltage
- Include data collection flexibility with 3 outputs: USB, RS-232 & Analog Output
- Expanded memory for reviewing data points and transferring to PC/Laptop
- Provide Built In Hi-Lo Comparator function provides user with easy 'Go-No Go' Testing
- CE Mark & RoHs Approval



**FGV-HXY with Accessories
in Protective Carrying Case**

FGV-HXY Specifications

Capacity	-500HXY: 500 lb, 250 kg, 2500 N; -1000HXY: 1000 lb, 453.6 kg, 4448 N
Resolution	0.1 lb/0.1 kg/1 N
Accuracy	±0.2% F.S.
Display	Four digit LCD, .47" high (12 mm) with various indicators including tension and low battery indication (reversible) Minus sign for tension
Average/Peak Mode	Selectable
Display Update	0.05, 0.1, 0.2, 0.3, 0.5, 1 sec
Sampling Rate	1000 Hz
Overload Capacity	150% of F.S.
Power	Rechargeable Ni-Cad batteries (included) or AC adapter/charger (included)
Auto Power Shut-Off	Yes (not active if adapter/charge is in use)
Battery Charge	17 hours (when fully charged)
Temperature Range	32 - 104°F (0 - 40°C)
Dimensions	8.43" x 3.23" x 2.25" (214 x 82 x 57 mm)
Product Weight	Approx. 2 lb (900 g) for 500 lb range; 2.65 lb (1.20 kg) for 1000 lb range
Package Weight	Approx. 7.45 lb (3.38 kg) for 500 lb range; 8.25 lb (3.74 kg) for 1000 lb range
Certification	CE, RoHs
Warranty	2-Year
Included Accessories	AC adapter/charger, carrying case, 2 handles, metric thread to inch adapter and attachments (flat head, hook, chisel, notched head, cone head, extension rod), USB cable Note: software available at www.shimpoint.com for free download

Ordering Details

FGV-500HXY	500 lb high capacity digital force gauge
FGV-1000HXY	1000 lb high capacity digital force gauge
NIST-FG-HC	NIST traceable calibration certificate

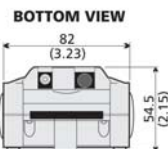
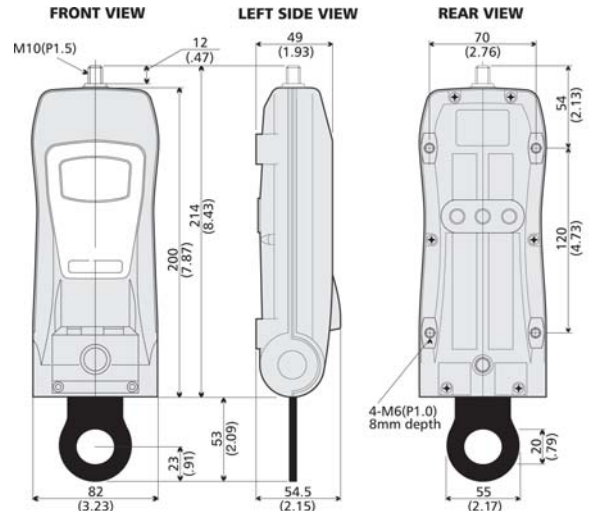
Accessories

FG-M10ADP	Standard adapter set with M10 threads for ranges Includes: chisel, cone, flat head, notched head, hook, extension rod
FG-M10CL	Chisel adapter with M10 thread for ranges
FG-M10CN	Cone head adapter with M10 thread for ranges
FG-M10FL	Flat head adapter with M10 thread for ranges
FG-M10GV	Notched head adapter with M10 thread for ranges
FG-M10HK	Hook adapter with M10 thread for ranges
FG-M10RD	Extension rod adapter with M10 thread for ranges
FG-09V120UC	Universal charger adapter for 120/240V AC
FGV-ANALOG	±1 VDC analog output connection cable
FGV-RS-232	RS-232 output cable

Note: Additional accessory adapters available. Please contact the factory.

DISTRIBUTED BY:

FGV-HXY Dimensions



mm (inches)

A **Nidec** Group Company

SHIMPO All for dreams