

SIGLENT TECHNOLOGIES CO.,LTD

Headquarters:

SIGLENT Technologies Co., Ltd
Add: Bldg No.4 & No.5, Antongda Industrial Zone,
3rd Liuxian Road, Bao'an District, Shenzhen,
518101, China
Tel: + 86 755 3688 7876
Fax: + 86 755 3359 1582
Email: sales@siglent.com
Website: int.siglent.com

USA:

SIGLENT Technologies America, Inc
6557 Cochran Rd Solon, Ohio 44139
Tel: 440-398-5800
Toll Free: 877-515-5551
Fax: 440-399-1211
Email: info@siglent.com
Website: www.siglentna.com

Europe:

SIGLENT Technologies Germany GmbH
Add: Staetzlinger Str. 70
86165 Augsburg, Germany
Tel: +49(0)-821-666 0 111 0
Fax: +49(0)-821-666 0 111 22
Email: info-eu@siglent.com
Website: www.siglenteu.com



User Manual

Isolated Front End (ISFE)

Version : V1.1



www.siglent.com

STATEMENT

Copyright© by Siglent Technologies Co., Ltd. all rights reserved. Siglent is a registered trademark of Siglent Corporation.

Contents in this Manual are not allowed to copy, extract and translate before being allowed by Siglent.

INTRODUCTION

◆ Applications:

- A accessory for oscilloscope, plug and play
- Less than 1W power dissipation, USB power supply
- 1000Vrms form each channel to earth ground, 2000Vrms between channels
- Providing isolation from ground and isolation between channels allowing you to take floating measurements

◆ Specifications:

- MAX. Input Voltage: $\pm 600\text{Vpk}$
- Voltage Rating: $5\text{V} \pm 5\%$
- Current Rating: 200mA
- Output Voltage: $-3\text{Vpk} \sim 3\text{Vpk}$
- Attenuant Fator: 200:1
- Max Voltage form Channl to Earth Gound: 1000Vrms
- Max Voltage Between Channels: 2000Vrms
- Input Impedance: $9\text{M}\Omega$
- Bandwidth: $\leq 1\text{MHz}$

Safety Information: Read First

Carefully read the following safety information before using the device.

Do not connect the Output BNC to high voltage, otherwise it will cause electric shock or oscilloscope damage.

To avoid electrical shock or fire:

Do not hot plug the device.

Ground the device to earth ground

Before using, inspect voltage probes, test leads and accessories for mechanical damage and replace if damaged.

Do not apply voltage that is outside of the rating range..

Do not operate the device with covers or panels removed.

Use proper fuse to protect the operator

Servicing described in this manual is to be done only by qualified service personnel. To avoid electrical shock, do not service the device unless you are qualified.

Do not touch the exposed metal when connecting with active voltage source

Do not operate in damp conditions.

Keep the surface clean and dry.

Do not operate in an explosive atmosphere.

Safety Terms and Symbols

Terms in this Manual.

These terms may be appeared in this manual:

DANGER: indicates an injury hazard that may immediately happen.

WARNING : indicates an injury hazard that may not immediately happen.

CAUTION: indicates a poteential damage to the instrument or other property might occur.

Symbols on the Product.

The following symbols may appear on the product:



Hazardous
Voltage



Protective
Earth Terminal

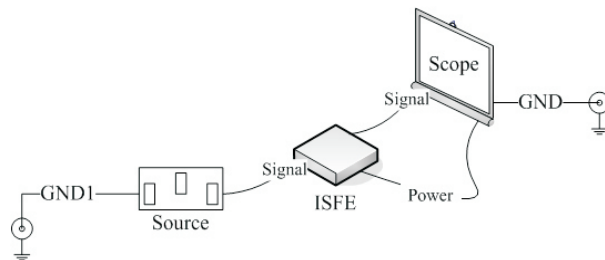


Refer to the
instruction

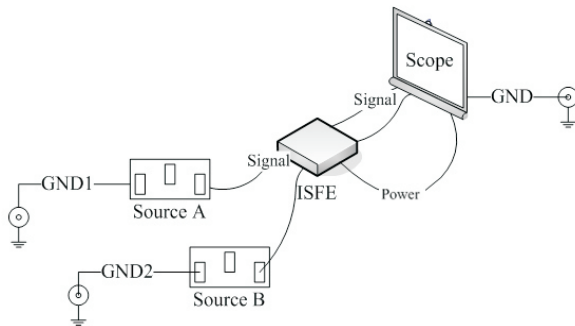


Double
Insulated

Applications



Floating signal measurement



Use ISFE to isolate the channels of scope

Interface

Read this part before you make any connection, to avoid electrical shock:

◆ Input BNC

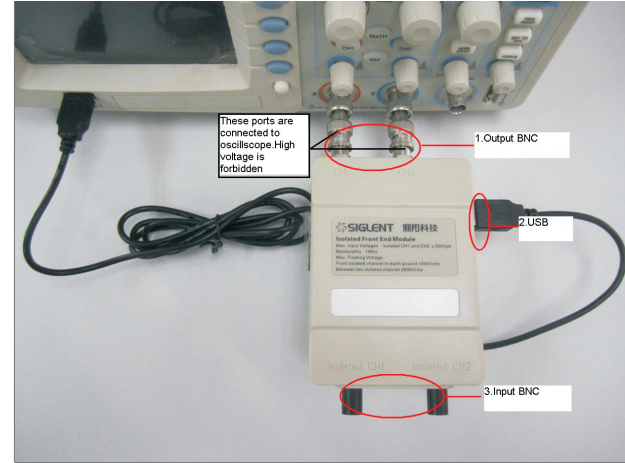
Two input BNC jacks (black) have no exposed metal and are fully insulated to protect against electrical shock. This part can be connected with source through proper probes or wires.

◆ Output BNC

The output BNC jacks made of metal. While the device powered on, do not contact them. These parts are supposed to connect with scope.

◆ USB Host

Power supply interface. This interface is used to power the device on.



◆ Adjusting Knob

Adjust the knob at the back side of the device, make the level to zero.

Operations

This device is used to test high voltage that may cause electrical shock, please operate it follow the steps below.

◆ Adjust

Ground the device to earth ground.

Conect the device to scope and power on.

Set the scope to 100mv/div(DC Coupling). Adjust the konb at the back side and make the level to zero.

◆ Measurment

Connect the device, scope and source before powering them on.

Don't contact any exposed metal while the electrical loops are active.

◆ Disconnect

Make sure that the source, device and scope are powered off before disconnected.

Service and Support

Warranty

Siglent Technologies warrants each SIGLENT manufactured and sold product against defects in material and workmanshio under normal use and service for a period of three years from shipment(accessories one year). SIGLENT will either repair or, at our option, replace any product returned to our authorized service center within this period according to the princioles in warranty card. If you need service or complete accessories of warranty card, please contact the nearest SIGLENT office in your region.

The warranty above replaces all other

warranties, expressed or implied, including but not limited to any implied warranty or merchantability, fitness, or adequacy for any particular purpose or use. SIGLENT shall not be liable for any special, incidental, or consequential damages, whether in contract or otherwise. The customer is responsible for the transportation and insurance charges for the return of products to the service facility.

Contact us

If you need any technical support or other help, you can contact SIGLENT service department directly.

Siglent Technologies Co., Ltd

Add: 3/F, Building 4, Antongda industry area, 3rd LiuXan Rd, Baona District, ShenZhen, China.

Tel: 800-999-0807

E-mail: support@siglent.com

To get latest product and service information please log in <http://www.siglent.com>