

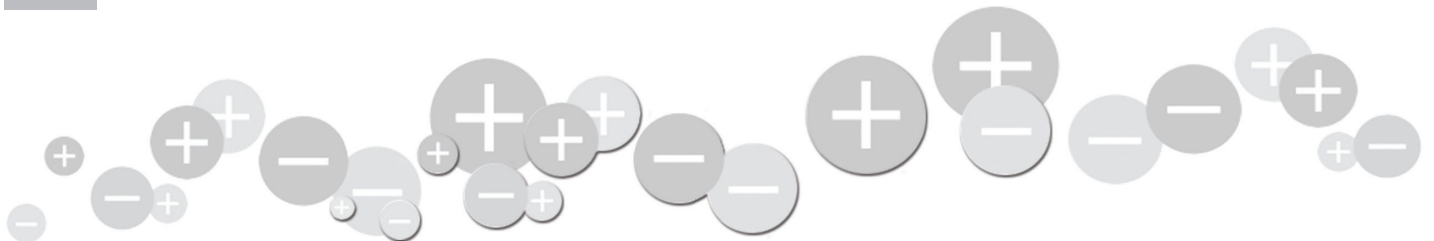





AEROSTAT® XC

EXTENDED COVERAGE IONIZING BLOWER

Simco-Ion's AeroStat XC Extended Coverage Ionizing Blower provides excellent coverage, balance stability, and rapid static charge decay times. The XC can be used in a variety of applications, such as injection molding, device manufacturing and packaging. The XC features Simco-Ion's emitter point cleaner, an ionization status light and an integrated heater. The XC neutralizes static across a broad three-foot by six-foot area and operates on AC technology to provide stabled balanced performance over time.

- Improves productivity by rapidly neutralizing sheets and other surfaces
- Neutralizes charges over the entire workbench
- Easy to maintain sustainable static charge control
- Easy to verify the presence of ionization
- Provides a comfortable working environment for operators, ensuring continuous operation
- Optional air filter to adapt for use in extremely dusty environments



Specifications																				
Input Voltage	120 VAC, 60 Hz: 0.6A (high fan/heater off); 3.6A (high fan/heater on) 220-230 VAC, 50 Hz: 0.3A (high fan/heater off); 1.8 (high fan/heater on)																			
Discharge	1.5 sec @ 1' (30 cm); fan speed high (1000-100V) ¹																			
Balance	0 ±10V																			
Ion Emission	AC Ionization																			
Emitters	Stainless Steel																			
Controls	POWER ON/OFF switch, WARM AIR ON/OFF switch; FAN SPEED control LOW/MEDIUM/HIGH, Emitter Point Cleaner Knob																			
Indicators	Orange IONIZATION status; orange within POWER and WARM AIR switches																			
Coverage	3' x 5' to 2.5' x 6' (91 x 152 cm) to (76 x 183 cm) area																			
Air Volume	70 cfm (low), 95 cfm (medium), 120 cfm (high)																			
Air Velocity²	Fan Speed: <table border="1"> <tr> <td>1'</td> <td>2'</td> <td>3'</td> <td>4'</td> </tr> <tr> <td>Low:</td> <td>600</td> <td>300</td> <td>180</td> <td>150</td> </tr> <tr> <td>Medium:</td> <td>800</td> <td>400</td> <td>220</td> <td>180</td> </tr> <tr> <td>High:</td> <td>1000</td> <td>500</td> <td>250</td> <td>200</td> </tr> </table>	1'	2'	3'	4'	Low:	600	300	180	150	Medium:	800	400	220	180	High:	1000	500	250	200
1'	2'	3'	4'																	
Low:	600	300	180	150																
Medium:	800	400	220	180																
High:	1000	500	250	200																
Heated Air Temp (heater optional)	Fan high: 4-5°F (2-3°C) above ambient Fan medium: 4-5°F (2-3°C) above ambient; Fan low: 5-7°F (3-4°C) above ambient (measured @ 12" in front of blower)																			
Operating Env.	Temperature 50-95°F (10-35°C); humidity 30-70% RH, non-condensing																			
Audible Noise	Fan speed: low 52 dB, medium 58 dB, high 64 dB																			
Ozone	0.05 ppm, measured @ 6" in front of unit ³																			
Air Filter	30 ppi open cell polyurethane foam (optional)																			
Mounting	Metal stand/bracket included (optional pedestal mount kit for elevated mounting and locking stand kit)																			
Enclosure	Powder-coated white steel																			
Dimensions	15.375"W x 4.5"H x 8.125"D (39.1 x 11.4 x 20.6 cm)																			
Weight	17.5 lb (7.9 kg)																			
Warranty	Two year limited warranty																			
Certifications	 120V, 60 Hz  																			

1. Tested in accordance with ANSI/ESD STM3.1-2015.
2. Velocity in fpm measured at center line of air stream.
3. Test conducted in accordance with EPA EQQA-0577-019 using Dasibi Ozone Monitor Model 1003AH.

Part Numbers

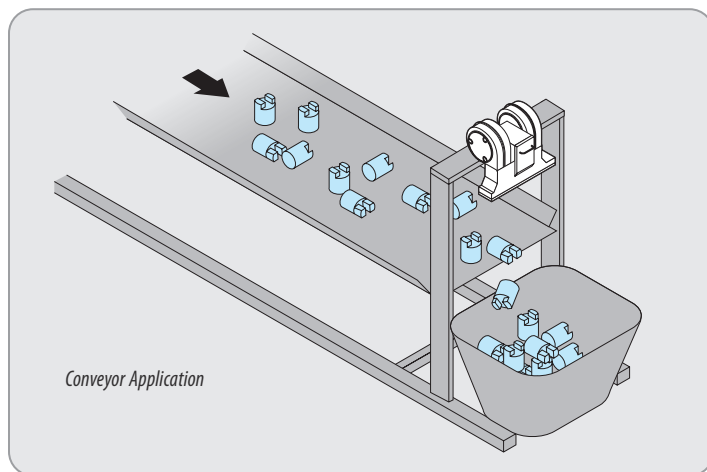
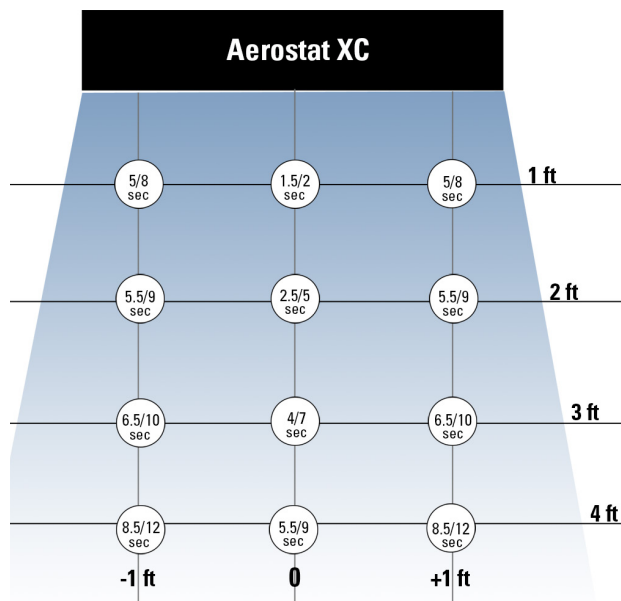
I-4002612	Aerostat XC, 120V
I-4015593	Aerostat XC, 230V
I-5050282	Aerostat XC Pedestal Mount Kit
I-5051321	Aerostat XC Air Filter Kit
I-33-6010-01	Locking Stand Kit
I-4470059	Aerostat XC Air Filter Replacement

Wide Variety of Applications

The Aerostat XC is a mid-size anti-static blower, designed for use in controlled environments, where the goal is to eliminate static charge and electrostatic attraction on various parts and processes. The XC is widely used in the electronics manufacturing and medical device assembly, test and packaging processes. The Aerostat XC easily mounts on a workbench or integrates into an existing assembly area where space is at a premium and neutralizing capability is critical.

Discharge Times

Discharge times are tested in accordance with ANSI/ESD STM3.1-2015. Each point shows the discharge times (1000-100V) with high fan/low fan speed.



Thermoforming trays can attract dirt and contamination that results in rejects. Installing a static control blower directly above the delivery of the trays, offers improved product quality with the reduction of dust and dirt.

SIMCO ION™
An ITW Company

5201320 Rev B
© 2021 Simco-Ion
All rights reserved.

Simco-Ion
2257 North Penn Road
Hatfield, PA 19440-1998
Tel: 800.203.3419 (in USA)
Tel: 215.822.6401
customerservice@simco-ion.com
www.simco-ion.com