



Wide Performance Ionizing Blower

AEROSTAT[®] FPD

The Aerostat FPD series of products has been designed to control electrostatic charges in flat panel assembly and electronics manufacturing applications requiring stable operation with exceptionally fast discharge time performance. The FPD ionizing blowers are built for reliability and simplicity.

Aerostat FPD utilizes reliable, low maintenance AC corona technology with high flow rate fans to provide fast static discharge performance. The inherent stability of the Aerostat FPD reduces maintenance frequency and a built-in emitter cleaner reduces maintenance time. Our unique geometry and airflow control provides consistent performance, meeting the demands of product assembly operations.

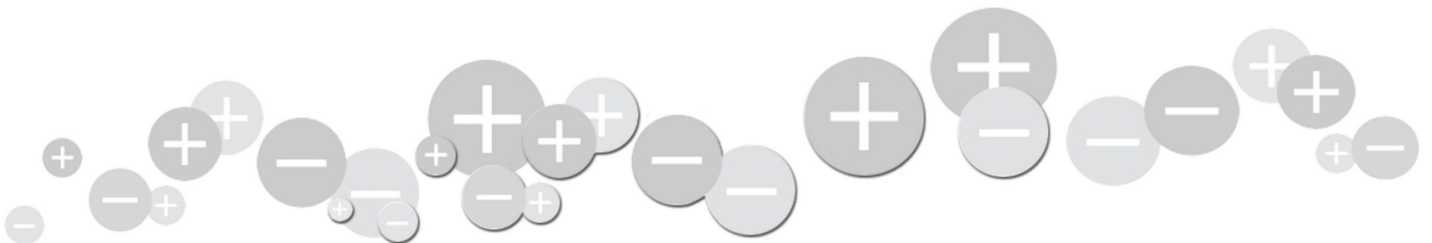
The Aerostat FPD's self-monitoring feature assures the user of controlled, consistent ion output. A light indicates both that power is applied to the unit and that ions are being produced. Performance is enhanced by the use of Simco-Ion's industry-leading and highly reliable AC technology.


Features

- High output, high-velocity fans
- Inherently balanced ionization
- Ionization indicator light
- Built-in emitter point cleaner
- Optional fan air filter

Benefits

- Extremely fast static charge neutralization over a wide horizontal or vertical application area
- Offers consistent performance with low maintenance frequency
- Visual indication that the target product is being neutralized
- Continued blower operation will require little maintenance
- Protection for internal components from environmental contamination



Specifications	
Input Voltage	120 VAC, 60 Hz: 0.3A (2-fan); 0.4A (3-fan); 0.5A (4-fan) 230 VAC, 50 Hz: 0.2A (2-fan); 0.2A (3-fan); 0.3A (4-fan)
Balance	0 ±10V
Discharge	1.0 sec @ 1' (0.3 m) center blower position; fan high(1000-100V) ¹
Switch	ON/OFF switch
Fan Speed	Recessed fan speed control
Indicators	Ionization ON light
Audible Noise	59-69 dBA (max), measured @ 2' (0.6m) from blower
Air Velocity²	Fan Speed: 1 ft 2 ft 3 ft 4 ft 5 ft Low: 500 350 250 200 150 High: 1000 700 500 400 300
Operating Env.	Temperature 50-90°F (10-32°C); humidity 30-70% RH, non-condensing
Ozone	Equilibrium concentration <0.02 ppm
Air Filter	30 ppi open cell polyurethane foam (optional)
Mounting	Stainless steel bracket
Enclosure	Powder-coated white Enamel Aluminum
Weight	2-fan: 10 lb (4.5 kg); 3-fan: 13 lb (5.9 kg); 4-fan: 16 lb (7.3 kg)
Dimensions	2-fan: 23.25"L x 4.0"H x 6.25"D (590 x 100 x 160 mm); 3-fan: 35.5"L x 4.0"H x 6.25"D (900 x 100 x 160 mm); 4-fan: 47.75"L x 4.0"H x 6.25"D (1215 x 100 x 160 mm)
Warranty	Two year limited warranty
Certifications	

1. Tested in accordance with ANSI /ESD STM3.1-2015.
2. Air Velocity in FPM measured at center of air stream.

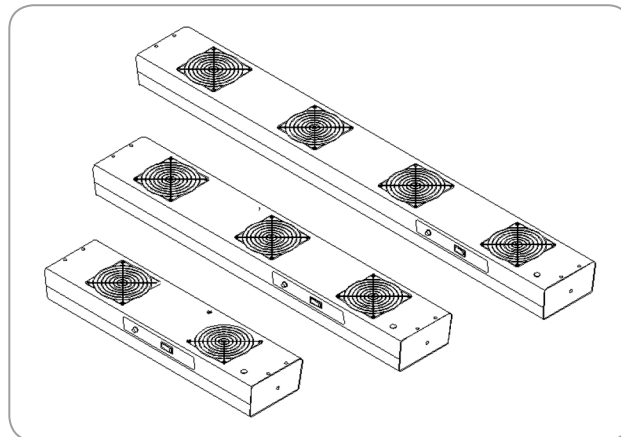
Ordering Information

4011005	Aerostat FPD 2-fan Ionizer, 120/230V, 50/60 Hz, North America
4011279	Aerostat FPD 2-fan Ionizer, 120/230V, 50/60 Hz, CE, Continental Europe
4011280	Aerostat FPD 2-fan Ionizer, 120/230V, 50/60 Hz, CE, United Kingdom
4016010	Aerostat FPD 2-fan Ionizer, 120/230V, 50/60 Hz, CE, China
4011007	Aerostat FPD 3-fan Ionizer, 120/230V, 50/60 Hz, North America
4011281	Aerostat FPD 3-fan Ionizer, 120/230V, 50/60 Hz, CE, Continental Europe
4011282	Aerostat FPD 3-fan Ionizer, 120/230V, 50/60 Hz, CE, United Kingdom
4016011	Aerostat FPD 3-fan Ionizer, 120/230V, 50/60 Hz, CE, China
4011009	Aerostat FPD 4-fan Ionizer, 120/230V, 50/60 Hz, North America
4011283	Aerostat FPD 4-fan Ionizer, 120/230V, 50/60 Hz, CE, Continental Europe
4011284	Aerostat FPD 4-fan Ionizer, 120/230V, 50/60 Hz, CE, United Kingdom
4016012	Aerostat FPD 4-fan Ionizer, 120/230V, 50/60 Hz, CE, China
4710017	Aerostat Air Filter Retainer (one per fan required)
4100810	Aerostat Air Filter (6 pack)

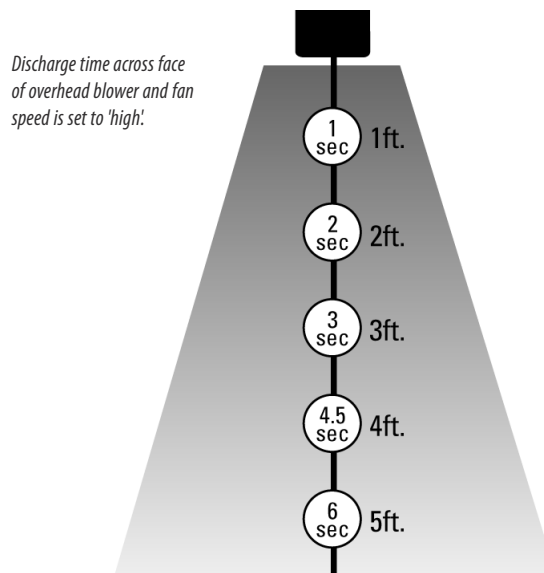
FPD Coverage Areas

The Aerostat FPD ionization blower comes in either 2-fan, 3-fan or 4-fan chassis lengths. Each length is designed for optimal coverage area and a variety of applications:

Blower	Overhead Applications	Benchtop Applications
2-fan	2'W x 2'L (0.6m x 0.6m)	2'W x 5'L (0.6m x 1.5m)
3-fan	2'W x 3'L (0.6m x 0.9m)	3'W x 5'L (0.9m x 1.5m)
4-fan	2'W x 4'L (0.6m x 1.2m)	4'W x 5'L (1.2m x 1.5m)



Discharge Times (typical)



SIMCO IONTM
An ITW Company

DS-AeroStat FPD_V5 - 9/19
© 2019 Simco-Ion
All rights reserved.

Simco-Ion, Technology Group

1141 Harbor Bay Parkway, Suite 201
Alameda, CA 94502

Tel: +1 (800) 367-2452 (in USA)
Tel: +1 (510) 217-0460

ioninfo@simco-ion.com
www.simco-ion.com