

DPX-XT

4K DISPLAYPORT WITH USB 2.0 KVM EXTENDER



EXTEND DIGITAL VIDEO (DISPLAYPORT 3840X2160), USB 2.0, USB KEYBOARD/MOUSE AND AUDIO UP TO 328 FT (100 M) OVER A SINGLE CAT5E/6/6A UNCOMPRESSED

FEATURES

- Extends DisplayPort 1.2, USB and audio up to 328 ft (100 m) from the source
- Supports up to 3840x2160 digital video resolution @ 60Hz
- Uncompressed Video
- USB 2.0 Transparent
- Carries DP, USB 2.0 and Audio Over a Single CAT 5e/6/6a
- DisplayPort Auxiliary Bypass
- Plug-and-Play Ready

APPLICATIONS

- Presentations
- Conferences
- Surveillance
- Remote Command
- System Extension
- Data Processing
- Quality Control
- Video Communication
- Home Entertainment
- and more!



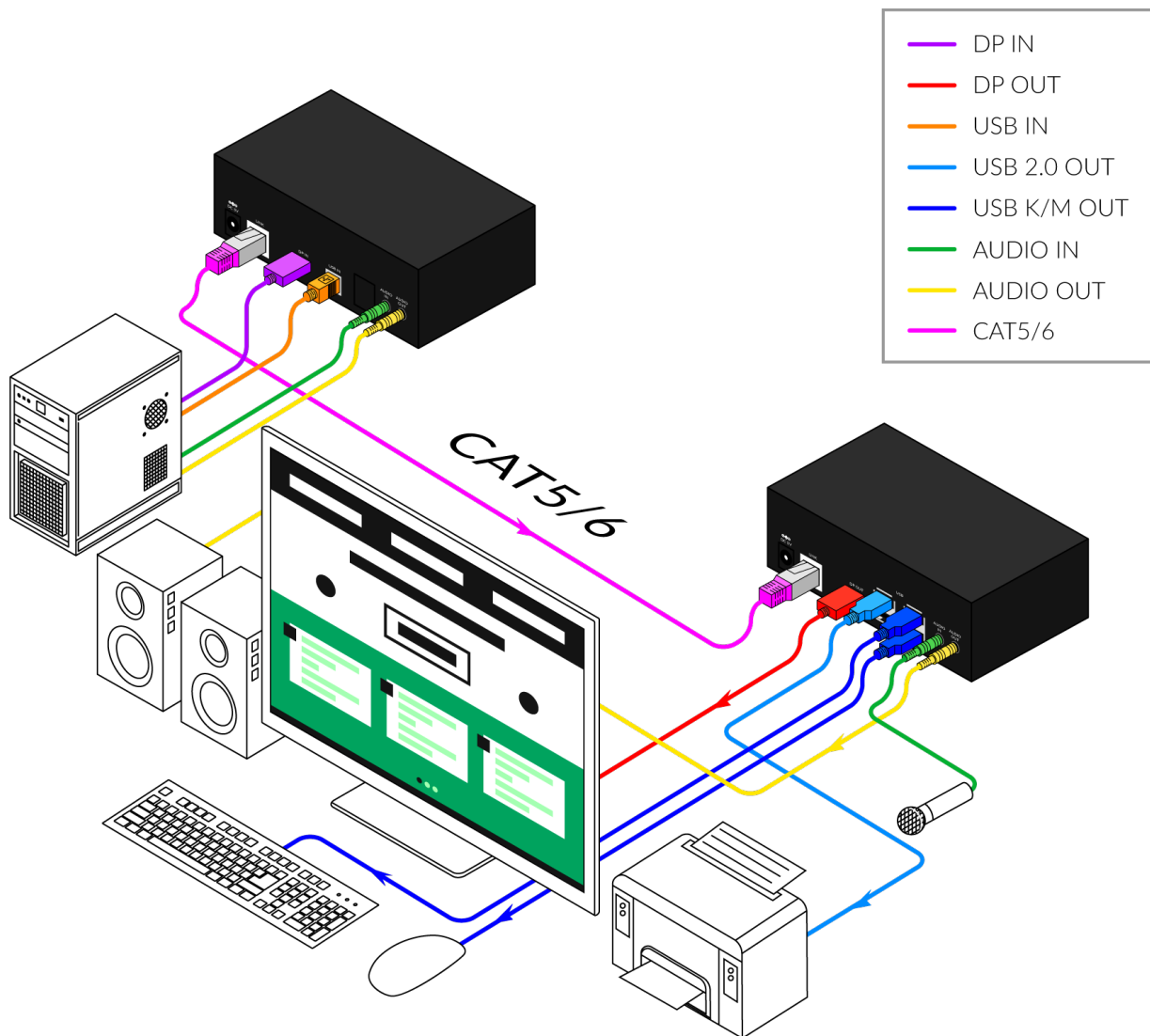
Designed and Manufactured in the USA

WHAT IS THE DPX-XT?

The DPX-XT is an extender supporting DisplayPort video signals at resolutions up to 4k/30Hz, with bi-directional audio and fully-transparent USB 2.0 up to 330ft.

The DPX-XT is the first extender on the market to feature DP 4K/30Hz, USB 2.0, and full KVM extension on one cohesive system. Its DisplayPort 4K (3840x2160 @ 30Hz) video output is optimized for HD monitors with crystal-clear picture; excellent for detail-driven work.

The DPX-XT extends fully-transparent USB 2.0, supporting keyboard, mouse, flash-drive, digital cameras, printer(s) and a wide variety of other USB 2.0 devices!



EXTEND FOR ANY APPLICATION IN ANY ENVIRONMENT

One of our most comprehensive extension solutions available, the DPX-XT also features stereo audio, microphone compatibility and port(s) for USB 2.0 devices over a single CAT 5e/6/6a cable. Extend signals from peripheral USB devices like printers, scanners, and even desktop cameras by hundreds of feet. With the DPX-XT, extending your digital reach is easy and accessible. The DPX-XT (RX) and DPX-XT (TX) make for a great addition in:

- Data centers
- Office Environments
- Conferencing Rooms
- Convention Centers
- Security Hubs
- Police Stations
- Point of Sale Retail Spaces
- Production & Recording Studios
- Control Rooms
- Home Office and Entertainment Suites

EXTENDER UNITS



DPX-XT-TX Front



DPX-XT-TX Back



DPX-XT-RX Front



DPX-XT-RX Back

TECHNICAL SPECIFICATION

VIDEO	
Format	DisplayPort 1.2
Maximum Pixel Clock	275 MHz
Input Interface (TX)	(1) DP female
Output Interface (RX)	(1) DP female
Resolution	Up to 3840 x 2160 @ 30 Hz
DDC	via AUX
Input Equalization	Automatic
Input Cable Length	Up to 15 ft.
Output Cable Length	Up to 15 ft.

USB	
Signal Type	USB 1.1 and USB 2.0
Input Interface (TX)	(1) USB Type B (Female)
Output Interface (RX)	(4) USB Type A (Female)

AUDIO	
Frequency	30KHz to 80KHz
Input Interface (TX)	(1) 3.5mm (Female)
Output Interface (RX)	(1) 3.5mm (Female)

OTHER	
Power	External 100-240 VAC/5VDC4A @ 20 W
Dimensions	5.5" W x 1 7/8" H x 3 1/4" D
Weight	1.0lb per TX/RX unit
Operating Temperature	0-55 °C (32-131°F)
Storage Temperature	-20-85 °C (-4-185 °F)
Humidity	Up to 95%

PART NO.	DESCRIPTION
DPX-XT-S	DP, USB 2.0, USB Keyboard/Mouse and Stereo Audio KVM Extender over CAT5e/6/6a. Includes: [DPX-XT-TX, DPX-XT-RX and 2 x PS5VD4A-WLLMNT]

www.smartavi.com

Tel: (800) AVI-2131 • (702) 800-0005
2455 W Cheyenne Ave, Suite 112
North Las Vegas, NV 89032

Smart-AVI
SMART AUDIO VIDEO INNOVATION