

DPX-XT

4K Displayport with USB 2.0 KVM Installation Manual



DPX-XT is a DisplayPort video extender that is capable of carrying DisplayPort 4k/30Hz video signals, USB 2.0, microphone and speakers up to 100m over a single Cat 5e/6/6a.

Smart-AVI
SMART AUDIO VIDEO INNOVATION

NOTICE:

The information contained in this document is subject to change without notice. Smart-AVI makes no warranty of any kind with regard to this material, including but not limited to, implied warranties of merchantability and fitness for any particular purpose. Smart-AVI will not be liable for errors contained herein or for incidental or consequential damages in connection with the furnishing, performance or use of this material. No part of this document may be photocopied, reproduced or translated into another language without prior written consent from Smart-AVI.



Designed and Manufactured in the USA

www.smartavi.com

DPX-XT SPECIFICATIONS:

The DPX-XT is an extender supporting DisplayPort @ 4k/30Hz, with bi-directional audio and fully-transparent USB 2.0 at up to 330ft.

The DPX-XT is the first extender on the market to feature DP 4K/30Hz, USB 2.0, and full KVM extension on one cohesive system. Its DisplayPort 4K (3840x2160 @ 30Hz) video output is optimized for HD monitors with crystal-clear picture excellent for detail-driven work.

The DPX-XT extends fully-transparent USB 2.0, supporting keyboard, mouse, flash-drive, digital cameras, printer(s) and a wide variety of other USB 2.0 devices!

VIDEO	
Format	DisplayPort 1.2
Maximum Pixel Clock	275 MHz
Input Interface (TX)	(1) DP female
Output Interface (RX)	(1) DP female
Resolution	Up to 3840x2160 @ 30 Hz
DDC	via AUX
Input Equalization	Automatic
Input Cable Length	Up to 15 ft.
Output Cable Length	Up to 15 ft.

USB	
Signal Type	USB 1.1 and USB 2.0
Input Interface (TX)	(1) USB Type B (Female)
Output Interface (RX)	(4) USB Type A (Female)

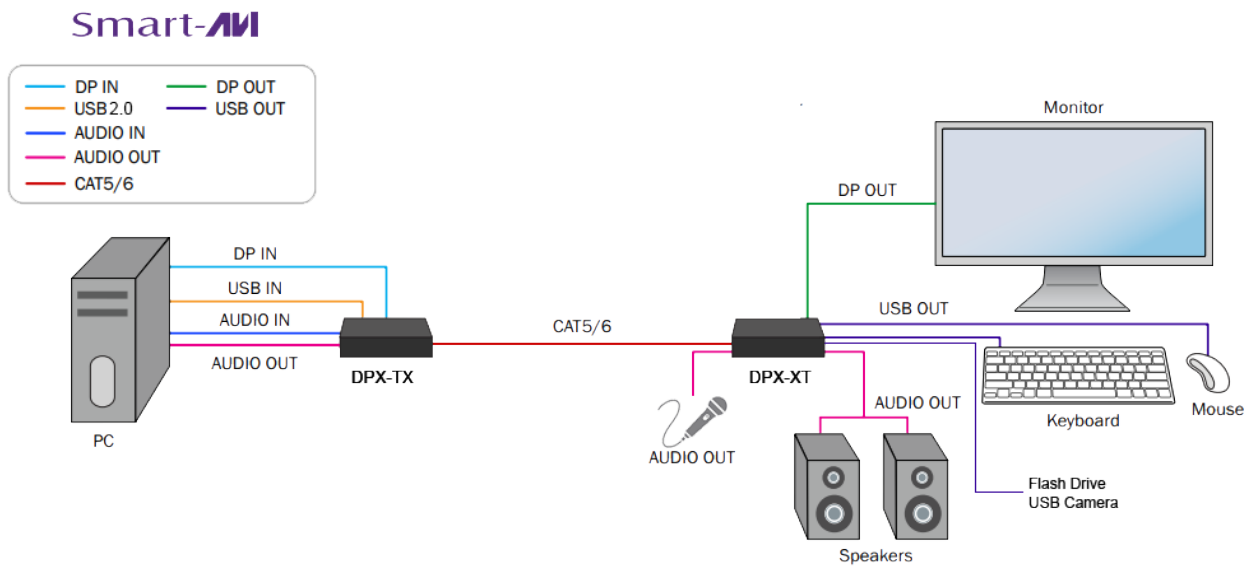
AUDIO	
Frequency	30KHz to 80KHz
Input Interface (TX)	(1) 3.5mm (Female)
Output Interface (RX)	(1) 3.5mm (Female)
OTHER	
Power	Ext. 100-240 VAC/5VDC4A @20W
Dimensions	5.5" W x 1 7/8" H x 3 1/4" D
Weight	1.0lb per TX/RX unit
Operating Temp.	0-55 °C (32-131°F)
Storage Temp.	-20-85 °C (-4-185 °F)
Humidity	Up to 95%

FEATURES:

- DisplayPort 1.2, USB extender at 4k/30Hz over Cat 5e/6/6a
- Resolution - Up to 3840x2160 (4K) @ 30Hz
- Max. Distance 100 m/328 ft.
- Uncrompressed Video
- USB 2.0 transparent
- Single Cat 5e/6/6a carries DP, USB 2.0 and audio
- DisplayPort Auxiliary Bypass
- Plug-and-Play Ready

HARDWARE INSTALLATION

1. Power off all devices.
2. Connect a DP source (computer) to the DP port on the rear of the DPX-XT.
3. Connect the DPX-XT-TX to the the DPX-XT-RX with one CAT 5e/6/6a UTP (Unshielded Twisted Pair) cable.
4. Connect the power to the DPX-XT RX and the DPX-XT TX.
5. Power on the display and then the computer.



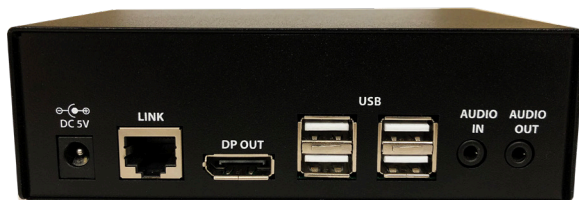
EXTENDER UNITS:



DPX-XT (RX) Front



DPX-XT (TX) Front



DPX-XT (RX) Back



DPX-XT (TX) Back

WHAT'S IN THE BOX?

PRODUCT ORDERING INFORMATION	
Model Number	Description
DPX-XT-S	DP, USB 2.0 and audio - Includes: [DPX-XT-TX, DPX-XT-RX, 2x (PS5VDC4A)]



DPX-XT (TX) Front



Designed and Manufactured in the USA

Smart-AM
SMART AUDIO VIDEO INNOVATION

LIMITED WARRANTY STATEMENT

A. Extent of limited warranty

Smart-AVI Technologies, Inc. warrants to the end-user customers that the Smart-AVI product specified above will be free from defects in materials and workmanship for the duration of 1 year, which duration begins on the date of purchase by the customer. Customer is responsible for maintaining proof of date of purchase. Smart-AVI limited warranty covers only those defects which arise as a result of normal use of the product, and do not apply to any:

- a. Improper or inadequate maintenance or modifications*
- b. Operations outside product specifications*
- c. Mechanical abuse and exposure to severe conditions*

If Smart-AVI receives, during applicable warranty period, a notice of defect, Smart-AVI will at its discretion replace or repair defective product. If Smart-AVI is unable to replace or repair defective product covered by the Smart-AVI warranty within reasonable period of time, Smart-AVI shall refund the cost of the product. Smart-AVI shall have no obligation to repair, replace or refund unit until customer returns defective product to Smart-AVI. Any replacement product could be new or like new, provided that it has functionality at least equal to that of the product being replaced. Smart-AVI limited warranty is valid in any country where the covered product is distributed by Smart-AVI.

B. Limitations of warranty

To the extent allowed by local law, neither Smart-AVI nor its third party suppliers make any other warranty or condition of any kind whether expressed or implied with respect to the Smart-AVI product, and specifically disclaim implied warranties or conditions of merchantability, satisfactory quality, and fitness for a particular purpose.

C. Limitations of liability

To the extent allowed by local law the remedies provided in this warranty statement are the customers sole and exclusive remedies. To the extent allowed by local law, except for the obligations specifically set forth in this warranty statement, in no event will Smart-AVI or its third party suppliers be liable for direct, indirect, special, incidental, or consequential damages whether based on contract, tort or any other legal theory and whether advised of the possibility of such damages.

D. Local law

To the extent that this warranty statement is inconsistent with local law, this warranty statement shall be considered modified to be consistent with the law.

www.smartavi.com

Tel: (800) AVI-2131 • (702) 800-0005
2455 W Cheyenne Ave, Suite 112
North Las Vegas, NV 89032

Smart-AVI
SMART AUDIO VIDEO INNOVATION